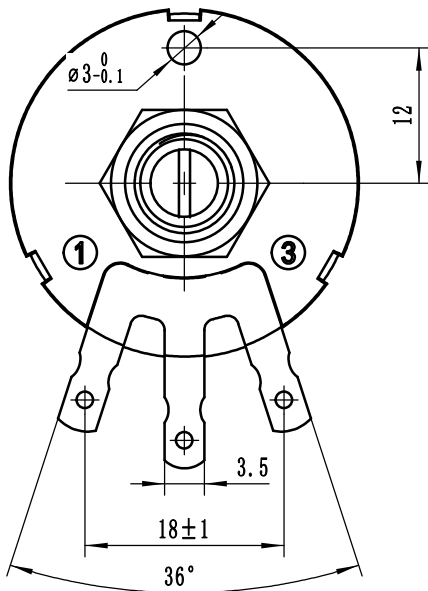
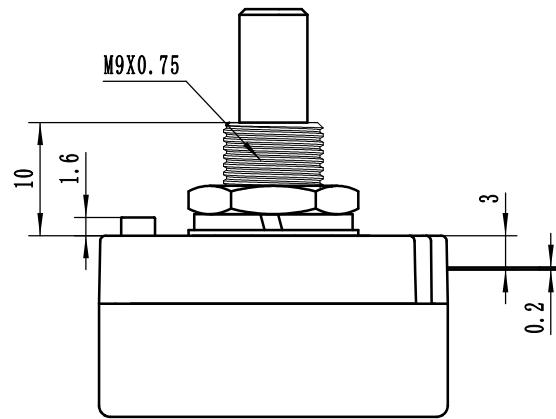
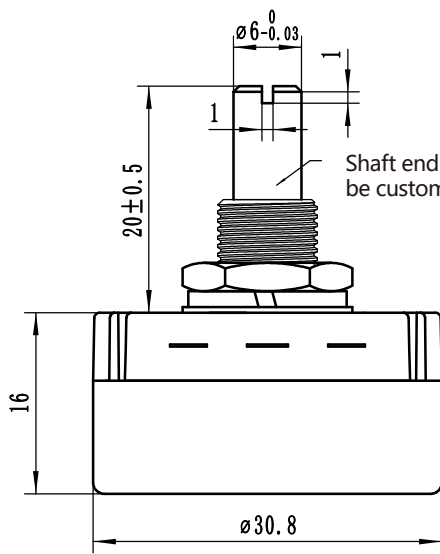


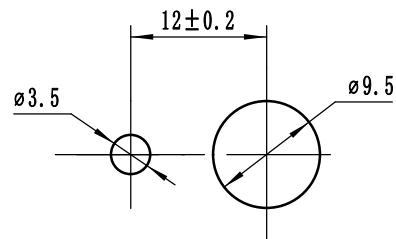
Features

- Rated Power: 1W
- Single-turn
- Precision Adjustable
- Reliable Performance
- Small Size
- High Precision

Product Dimensions



Recommended panel mounting hole dimensions



Support special customization (semicircular shaft/flat shaft, long shaft/short shaft and etc)

DIMENSIONS: MM
TOLERANCES: ± 0.3 MM EXCEPT WHERE NOTED

Electrical Characteristics

Items	Parameters
Standard Resistance Range	B=100Ω-2MΩ; A.C=1kΩ-2MΩ
Resistance Tolerance	±10%
End Resistance	3ΩMax
Contact Resistance Variation	3%R or 5Ω
Insulation Resistance	100MΩ, 1000Vdc, 1 minute
Withstanding Voltage	101.3kpa, 500Vac; 8.5kpa, 250Vac
Dielectric Strength Sea Level	1000Vac(1 minute)
Adjustment Angle	280°±10°

Environmental Characteristics

Items	Parameters
Max. Soldering Exposure	350°C, 3 seconds
Power Rating(300 volts max.)	B=1W
Operating Temp. Range	-10°C ~ +85°C
Temperature Coefficient	±400ppm/°C
Temperature Variation	-10°C ~ +85°C, 5 no-load cycles, ΔR/R≤±10%
Vibration	(10-55HZ, amplitude 1.5mm), 3 directions, 2H in each direction, ΔR/R≤±2.5%
40°C Electrical Endurance	Under rated load: 1000h; ΔR/R≤±10%
Rotational Life	15000 cycles, ΔR/R≤±7%

Physical Characteristics

Items	Parameters
Mechanical Angle	300°±5°
Starting Torque	≤10mN.m
Stop Strength	≤15mN.m
Standard Packaging	10 pieces/tube

Standard Resistance Table

Resistance(Ohms)	Resistance Code
10	100
20	200
50	500
100	101
200	201
500	501
1,000	102
2,000	202
5,000	502
10,000	103
20,000	203
50,000	503
100,000	104
200,000	204
500,000	504
1,000,000	105
2,000,000	205

How to Order

RV30YN-20S-B103

- Resistance Code
- Resistance Taper: B = Linear
- 20mm shaft
- Panel mount, single axis
- 10°C ~ +85°C
- Diameter = 24mm
- Carbon film

