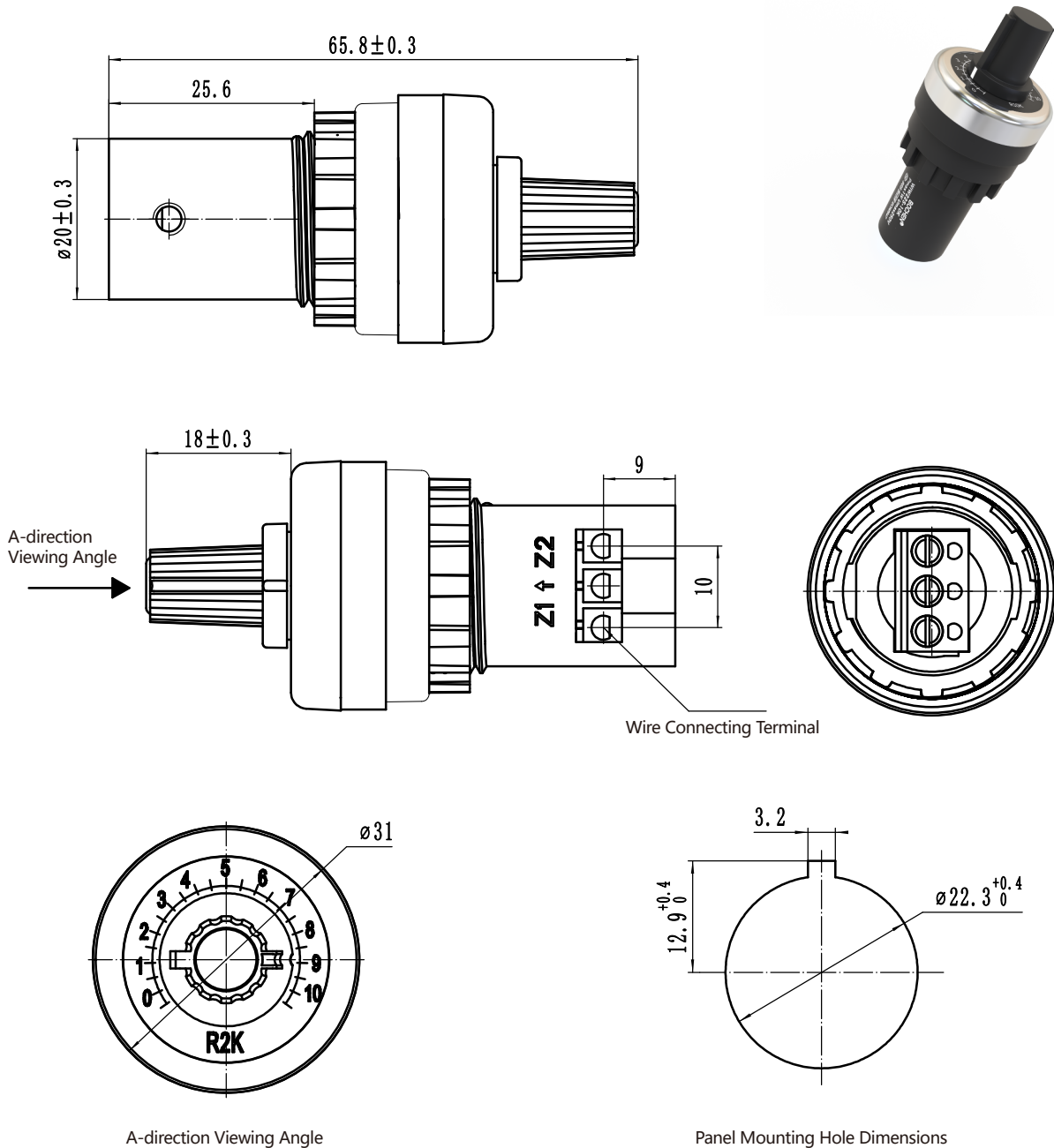


Features

- Rated Power: 1W
- Single-turn
- Precision Adjustable
- Reliable Performance
- Small Size
- High Precision

Product Dimensions



DIMENSIONS: MM
TOLERANCES: ± 0.3 MM EXCEPT WHERE NOTED

Electrical Characteristics

Items	Parameters
Standard Resistance Range	50Ω-2MΩ
Resistance Tolerance	±10%
End Resistance	≤5% R or 10Ω
Contact Resistance Variation	≤5%R or 5Ω
Insulation Resistance	600 Vdc.
Withstanding Voltage	Ri ≥1GΩ (100Vac)
Adjustment Angle	>70% Of TheTotal Mechanical Travel

Environmental Characteristics

Items	Parameters
Power Rating	1W 70°C,0W 125°C
Operating Temp. Range	-25°C~+125°C
Temperature Coefficient	±250ppm/°C
Temperature Variation	-55°C, 30min,+125°C,30min 3 Cycles ΔR≤5%R, Δ(Uab/Uac)≤±10%
Vibration	100m/S2,16ms,1000cycles ΔR≤2%R Δ(Uab/Uac)≤10%
70°C Electrical Endurance	1W,1000h ΔR≤10%R Δ(Uab/Uac)≤10%
Rotational Life	200 cycles, ΔR≤10%R
Steady damp-heat	40±2°C, 87-92%R.H 96h ΔR≤5%R,R1≥1MΩ

Physical Characteristics

Items	Parameters
Mechanical Angle	280°±10°
Starting Torque	≤35 mN.m
Standard Packaging	10 pieces/tube

Standard Resistance Table

Resistance(Ohms)	Resistance Code
10	100
20	200
50	500
100	101
200	201
500	501
1,000	102
2,000	202
5,000	502
10,000	103
20,000	203
50,000	503
100,000	104
200,000	204
500,000	504
1,000,000	105
2,000,000	205

How to Order

WIW22S 1 - 103

Model _____

Standard or Modified _____
- 1 = standard

Resistance Code _____

② WIPER

CCW ① ——— ③ CW

CLOCKWISE →