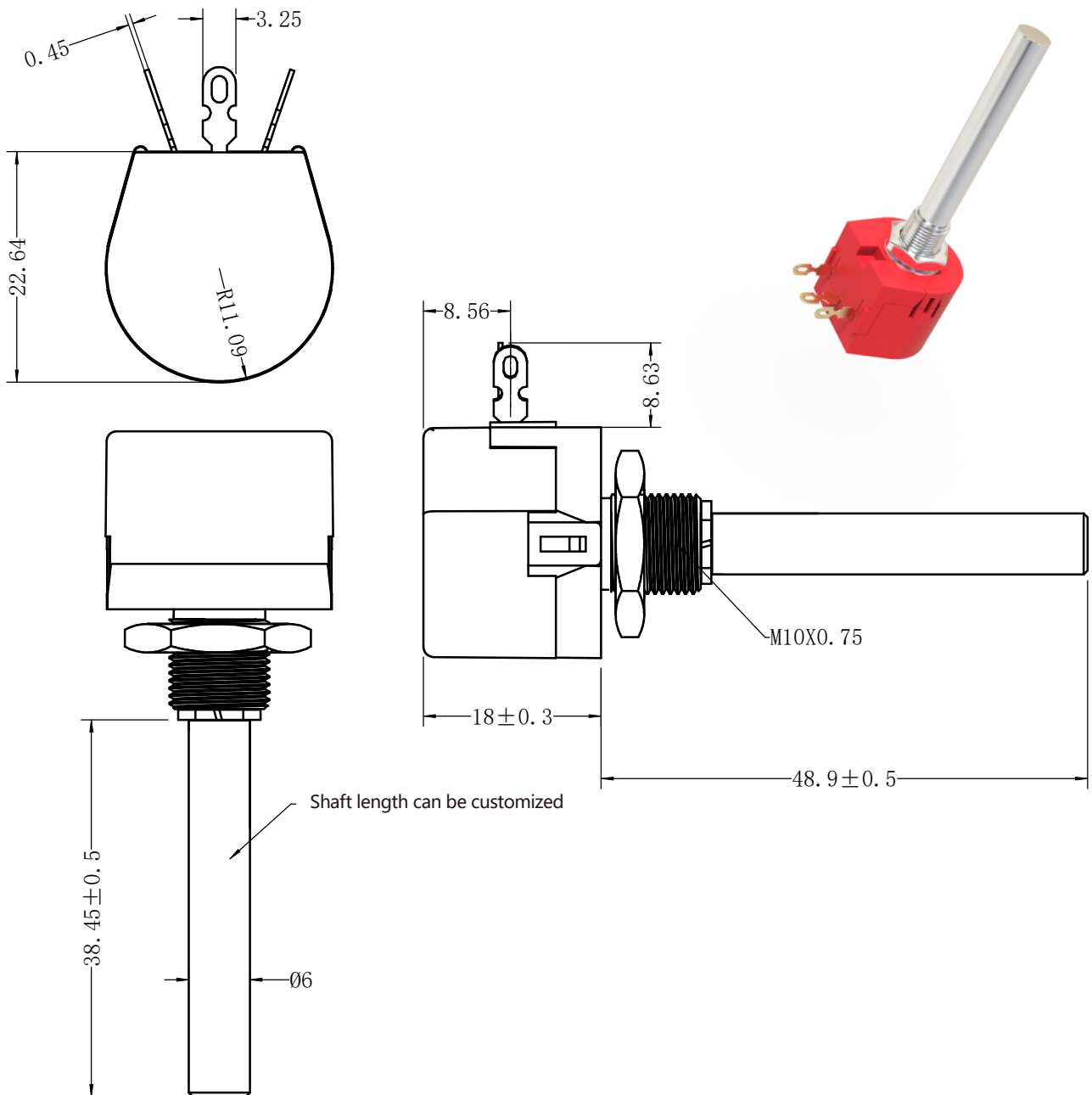


Features

- Rated Power: 1W
- Single-turn
- Precision Adjustable
- Reliable Performance
- Small Size
- High Precision

Product Dimensions



Support special customization (semicircular shaft/flat shaft, long shaft/short shaft and etc)

DIMENSIONS: MM
TOLERANCES: ±0.5 MM EXCEPT WHERE NOTED

Technical indicators

Items	Parameters
Temperature Coefficient	±100ppm/°C
Power Rating	1W
Maximum operating voltage	220V
Standard Resistance Range	50Ω~10KΩ
Resistance Tolerance	±10%
Maximum contact current	100mA
End Resistance	2Ωmak
Adjustment Angle	mech.258°±5°,elektr.270°±5°
Withstand voltage (at room temperature)	AC1000V
Insulation Resistance	More than 1000MΩ at DC500V
Shaft torque	3.5~100 mN.m
Resistance law	A
Insulation resistance	1GMΩ
Starting Torque	35Ncm.
Stop Strength	100Ncm.
Total rotation angle	300°±5°
Rotation life	5,000 cycles without discontinuity
welding	T≤260°C, t≤3s

Standard Resistance Table

Resistance(Ohms)	Resistance Code
100	101
200	201
500	501
1,000	102
2,000	202
5,000	502
10,000	103

How to Order

WX118 - 10K

Model _____

Resistance Value _____

