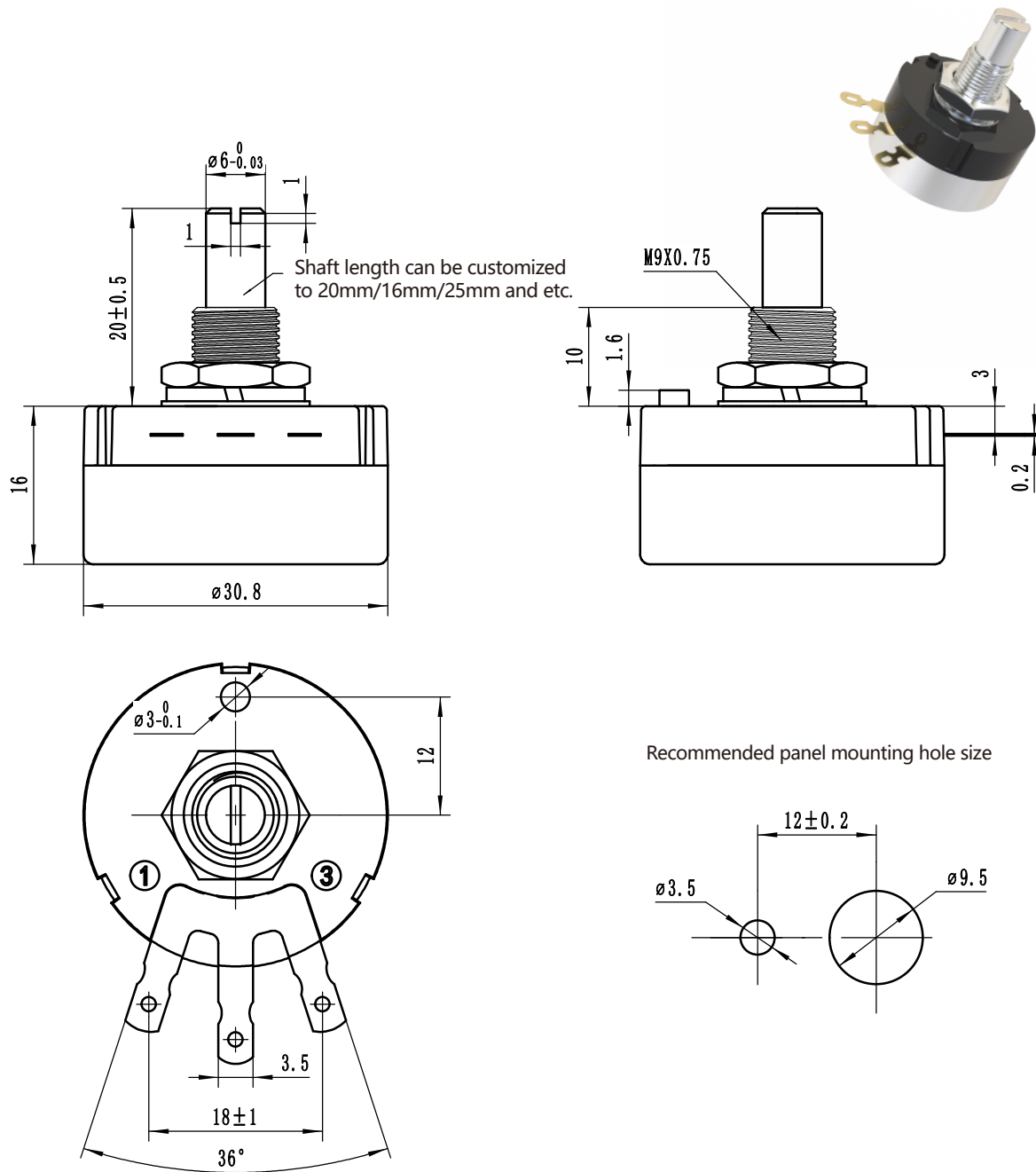


**Features**

- Rated Power: 3W
- Single-turn
- Precision Adjustable
- Reliable Performance
- Small Size
- High Precision

**Product Dimensions**



Shaft length can be customized to 20mm/16mm/25mm and etc.

Recommended panel mounting hole size

Support special customization (5 turns/3 turns, semicircular shaft/flat shaft, long shaft/short shaft and etc)

DIMENSIONS: MM  
TOLERANCES:  $\pm 0.3$  MM EXCEPT WHERE NOTED

## Electrical Characteristics

Items	Parameters
Standard Resistance Range	100Ω-10KΩ
Resistance Tolerance	±5%
Linearity	0.25%
Effective Electrical Stroke	280°±5°C
Terminal resistance	5ΩMax
Rotating Noise	3%R or 5Ω
Insulation Resistance	100MΩ, 500Vdc, 1minute
Withstanding Voltage	101.3kpa, 500Vac; 8.5kpa, 300Vac

## Environmental Characteristics

Items	Parameters
Power Rating(300 volts max.)	3W(70°C), 0W(125°C)
Operating Temp. Range	-55°C~+125°C
Temperature Coefficient	±50ppm/°C
Temperature Variation	55°C ~ +125°C, 5个无负载循环, ΔR/R≤±5%
Collision	390m/s <sup>2</sup> , 4000cycles, R≤±2%R
Vibration	(10-50HZ, 振幅1.5mm), 3个方向, 每个方向2H, ΔR/R≤±3%
70°C Electrical Endurance	1W, 1000h, ΔR≤±3%R
Rotational Life	10000(cycles), ΔR≤±3%R

## Physical Characteristics

Items	Parameters
Mechanical Angle	300°±5°
Starting Torque	≤12 mN.m
Stop Strength	≤15 mN.m
Standard Packaging	

## Standard Resistance Table

Resistance(Ohms)	Resistance Code
100	101
220	221
470	471
1,000	102
2,200	222
4,700	472
10,000	103
22,000	223

## How to Order

**WX19 - 103**  
 Model \_\_\_\_\_  
 Resistance Code \_\_\_\_\_

