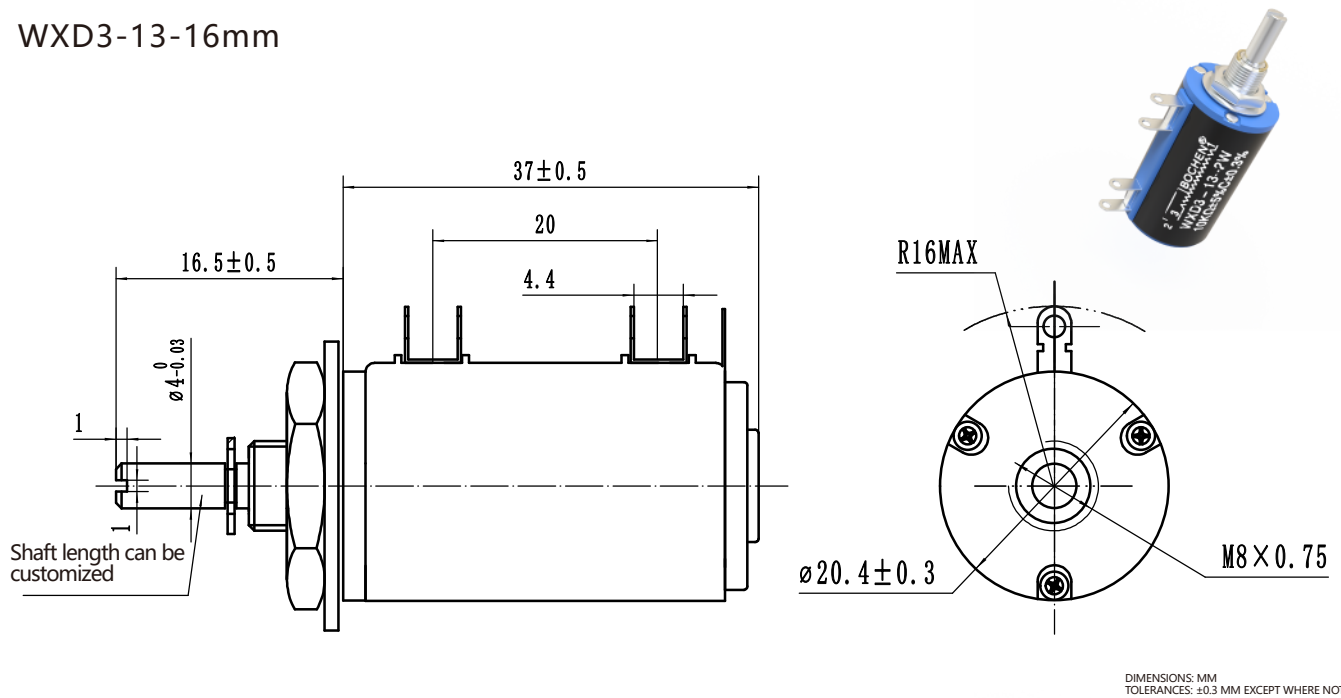


Features

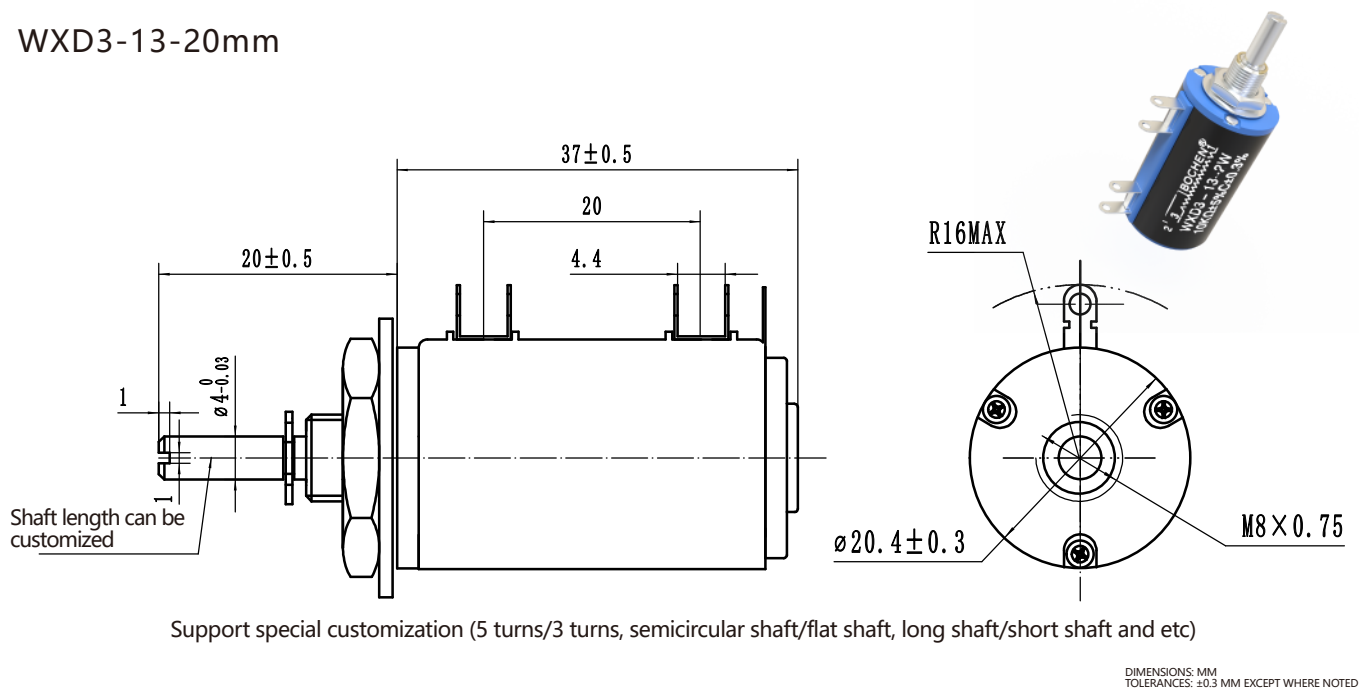
- Rated Power: 2W
- 10 Turns
- Precision Adjustable
- Reliable Performance
- Small Size
- High Precision

Product Dimensions

WXD3-13-16mm



WXD3-13-20mm



Electrical Characteristics

Items	Parameters
Standard Resistance Range	100Ω-100KΩ
Resistance Tolerance	±5%
Linearity	±0.5%
Effective Electrical Stroke	≥3600°-10°
Terminal resistance	≤0.2%R or 5Ω
Rotating Noise	≤3%R or 3Ω
Insulation Resistance	RI≥1GΩ
Withstanding Voltage	101.3kPa 710V, 8.5kPa 470V

Environmental Characteristics

Items	Parameters
Power Rating(300 volts max.)	2W@+70°C, 0W@+125°C
Operating Temp. Range	-55°C~+125°C
Temperature Coefficient	±100ppm/°C
Temperature Variation	ΔR≤2%R, Δ(Uab/Uac)≤±1%
Collision	390m/s ² , 4000cycles, R≤±1%R
Vibration	10-500Hz0.75mm, or 98m/s ² , 6hΔR≤±1%R, Δ(Uab/Uac)≤±2%
Climate Sequence	ΔR≤±3%R, RI≥100MΩ
70°C Electrical Endurance	2W, 1000h, ΔR≤±3%R
Rotational Life	10000(cycles), ΔR≤±3%R
Steady State Heat	ΔR≤±3%R, RI≥100MΩ

Physical Characteristics

Items	Parameters
Mechanical Angle	3600°±10°
Starting Torque	≤36 mN.m
Stop Strength	≤300 mN.m
Standard Packaging	20 Pieces/Inner Box

Standard Resistance Table

Resistance(Ohms)	Resistance Code
100	101
220	221
470	471
1,000	102
2,200	222
4,700	472
10,000	103
22,000	223
47,000	473
100,000	104

How to Order

WXD3-13 - 103
 Model _____
 Resistance Code _____

