



浙江大学湖州研究院
HUZHOU INSTITUTE OF ZHEJIANG UNIVERSITY
Artificial Intelligence and Robotics Education Research Center



NASHENBOT

AI and Smart Diverse Careers

Artificial Intelligence Education Robotics Courses



Emoji



Audio Play



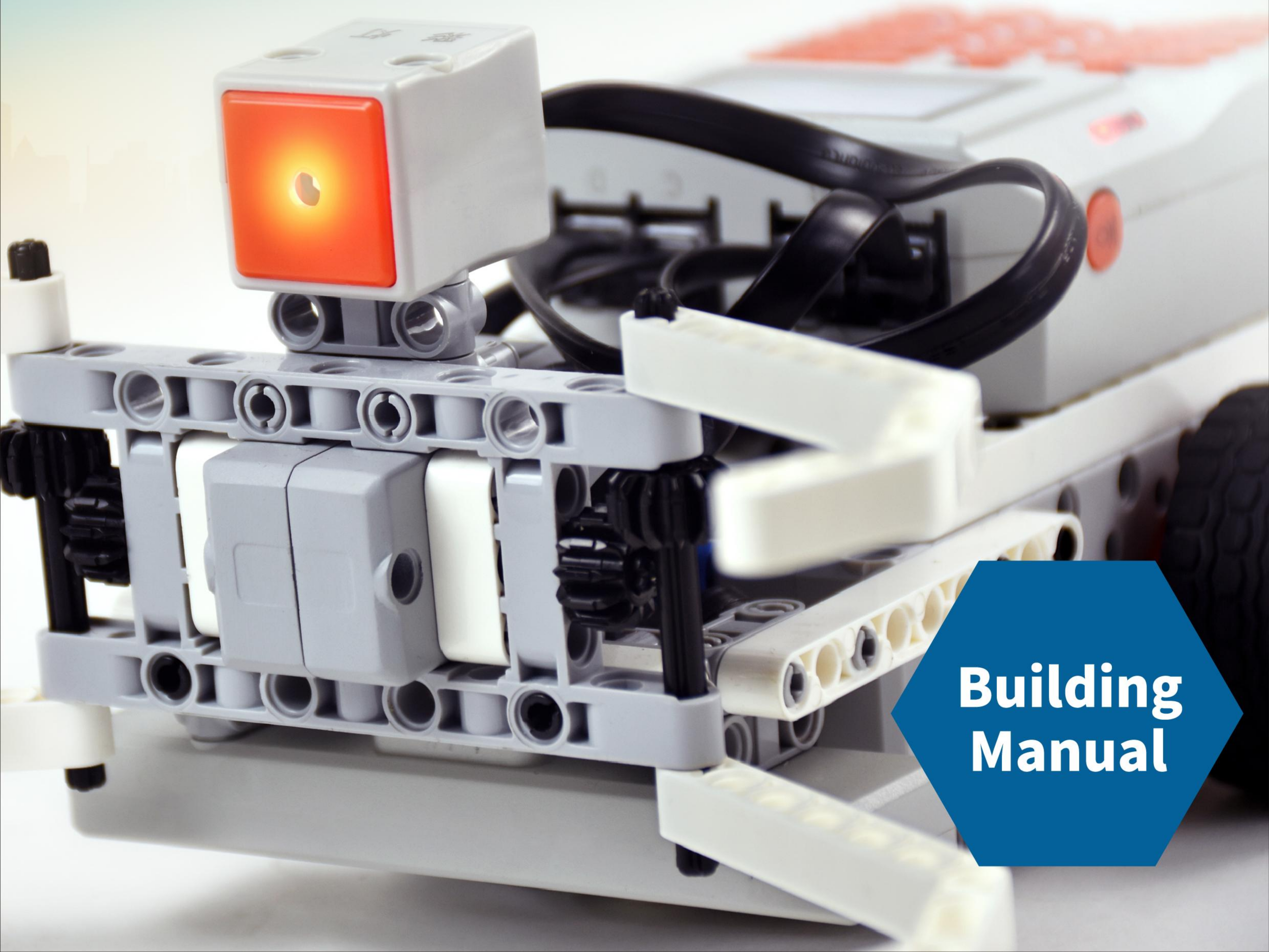
Recording



Rotation

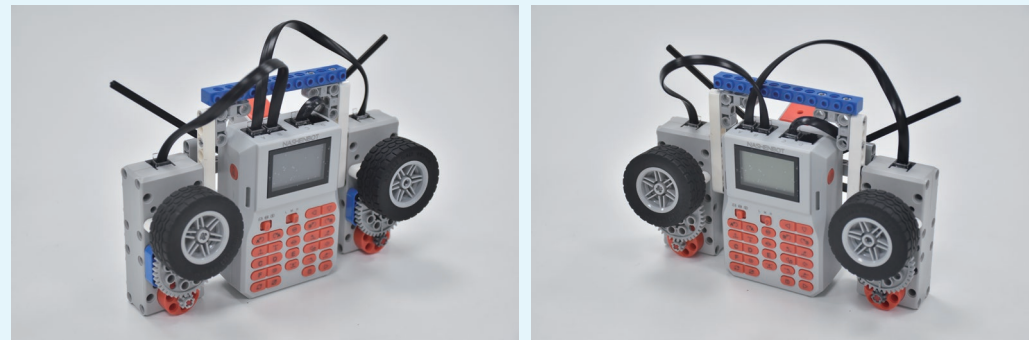
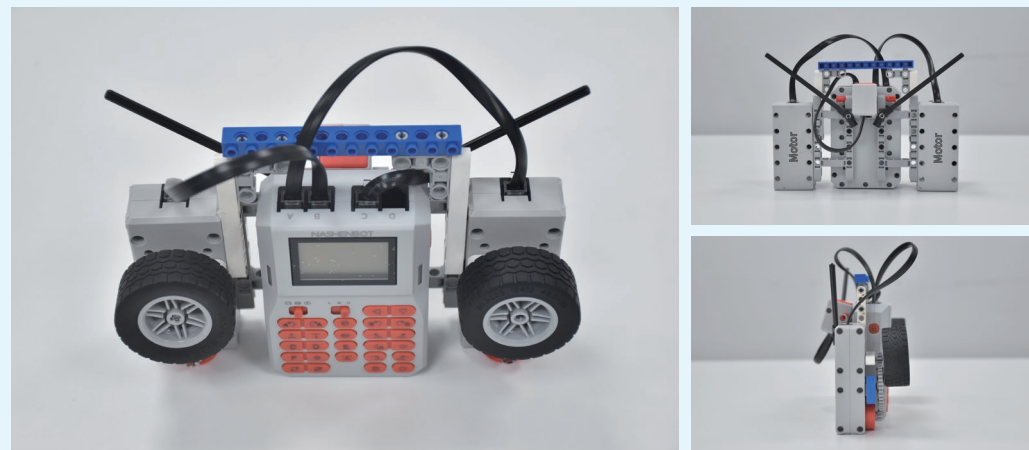


Line Tracking



**Building
Manual**

Time Phonograph

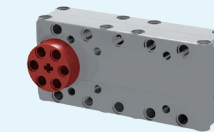


01

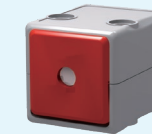
1 Electronic module



MPC Controller x1



Motor x2



Full Color Light x1

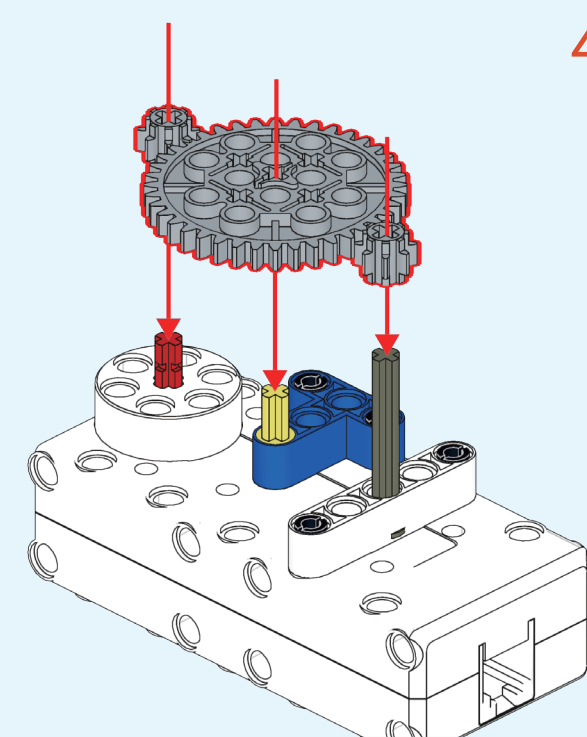
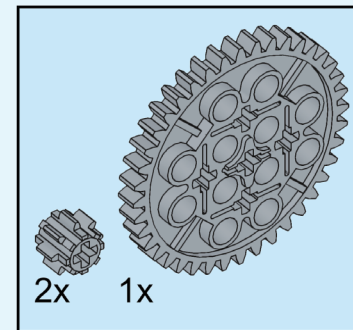
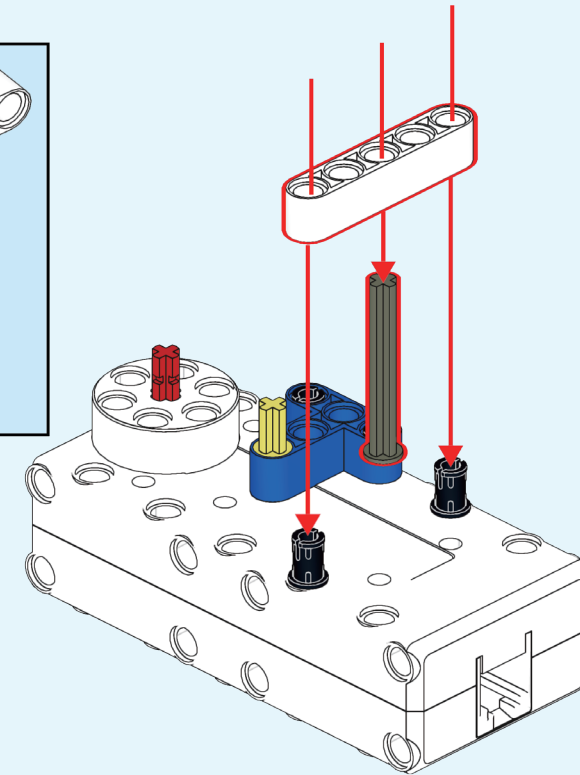
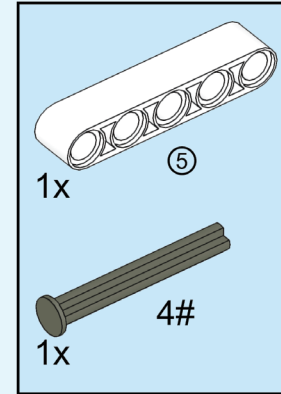
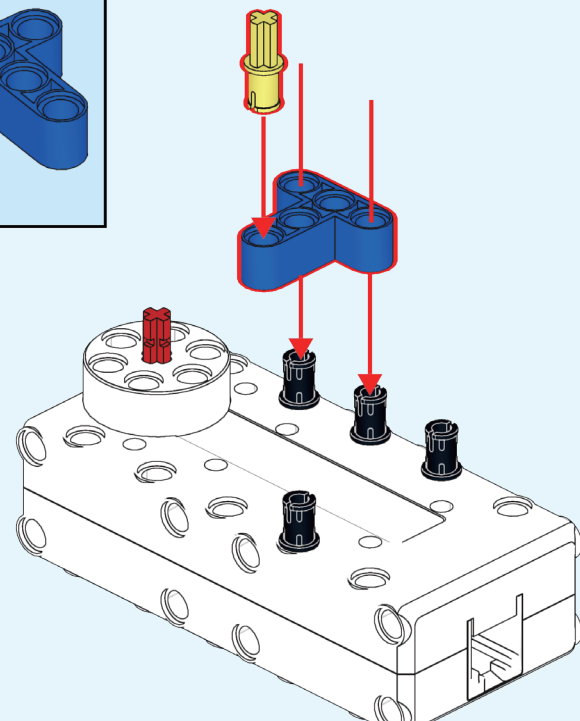
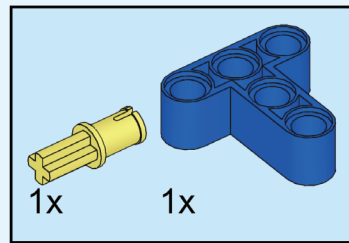
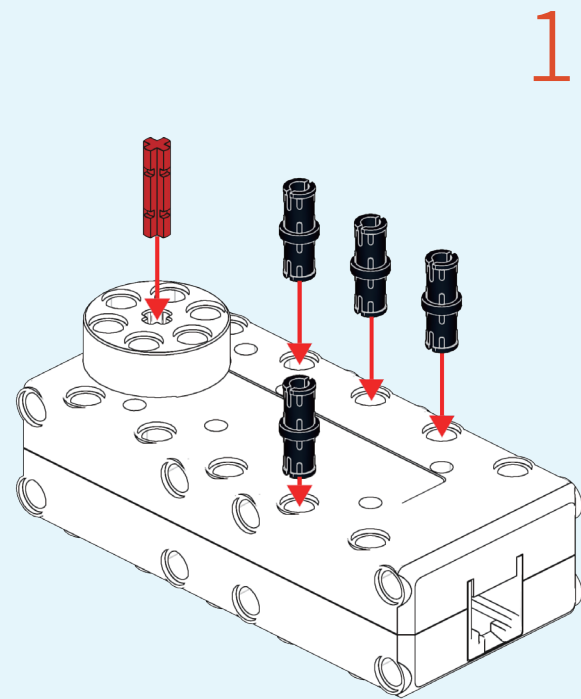
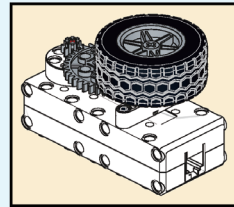
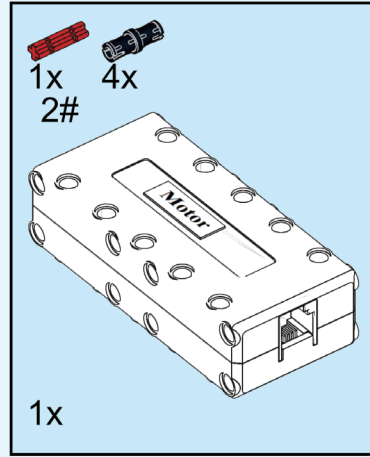
2 Building Blocks

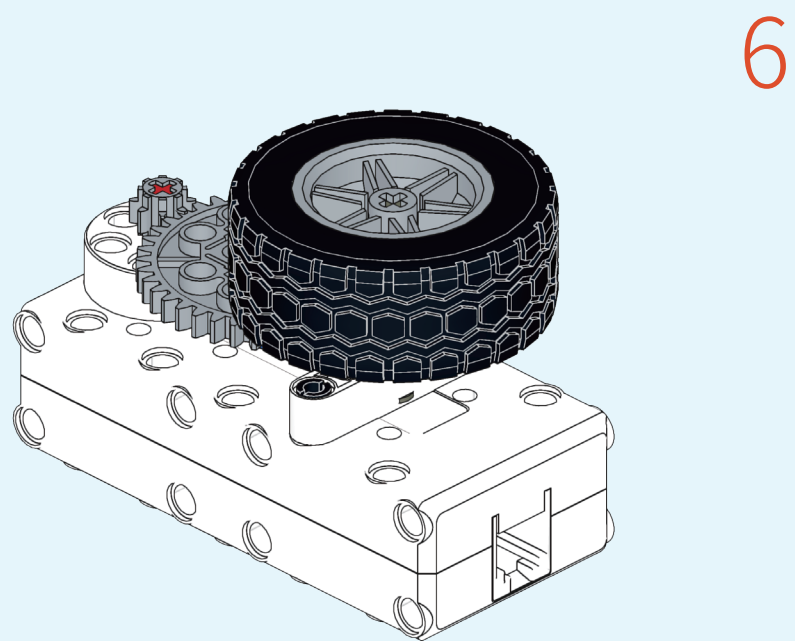
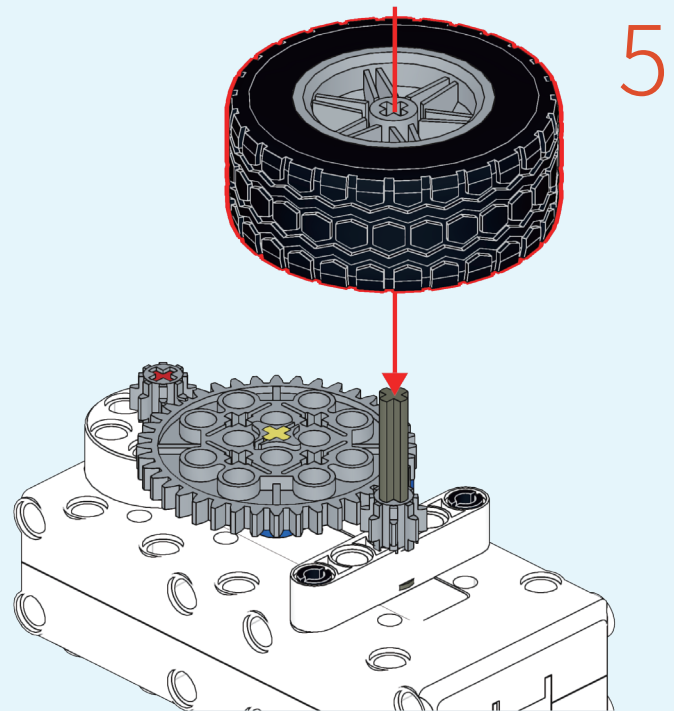
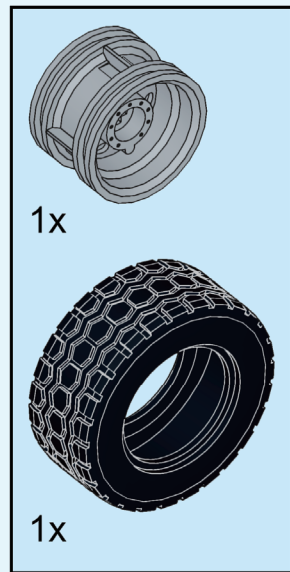


Building steps: items with this icon need to be turned over. Accessories include decorative pieces, which can be decorated by yourself.

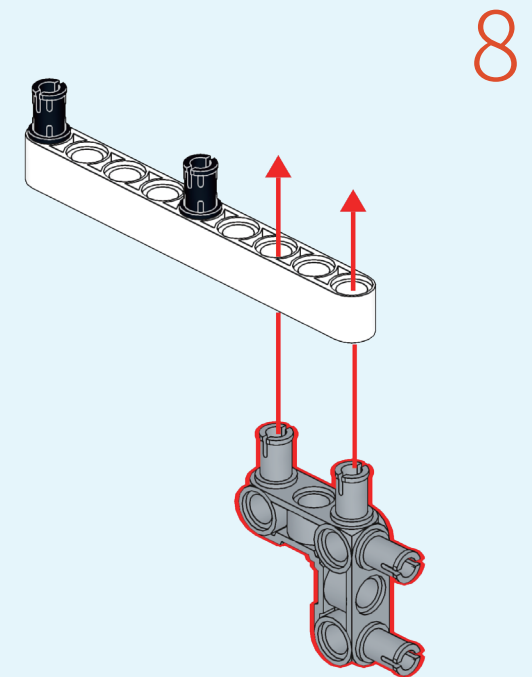
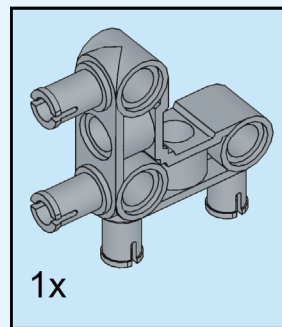
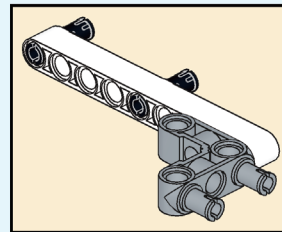
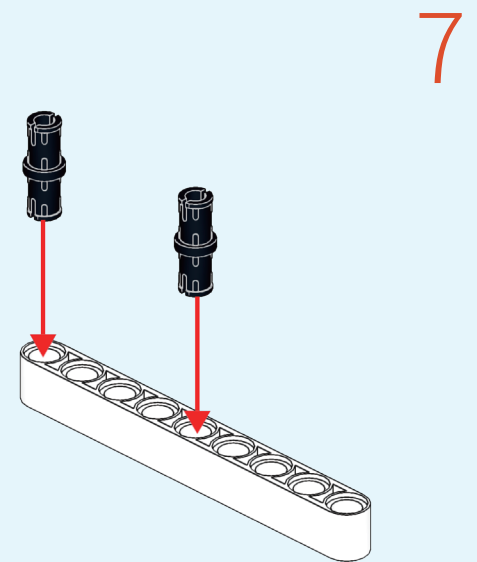
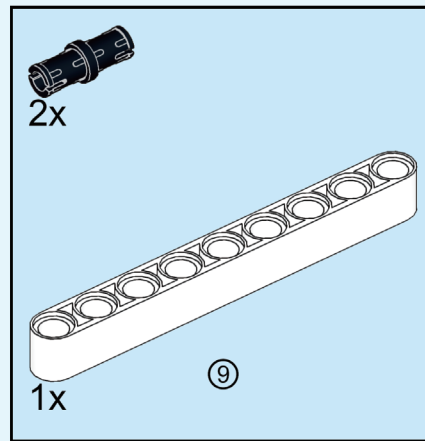
02

3 Let's start building



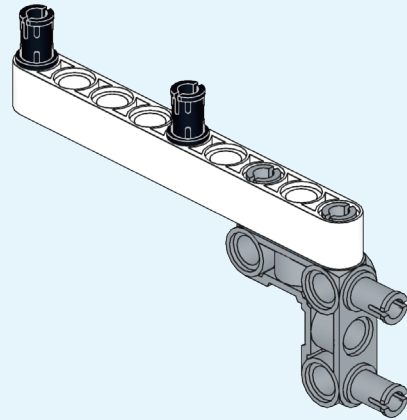


05

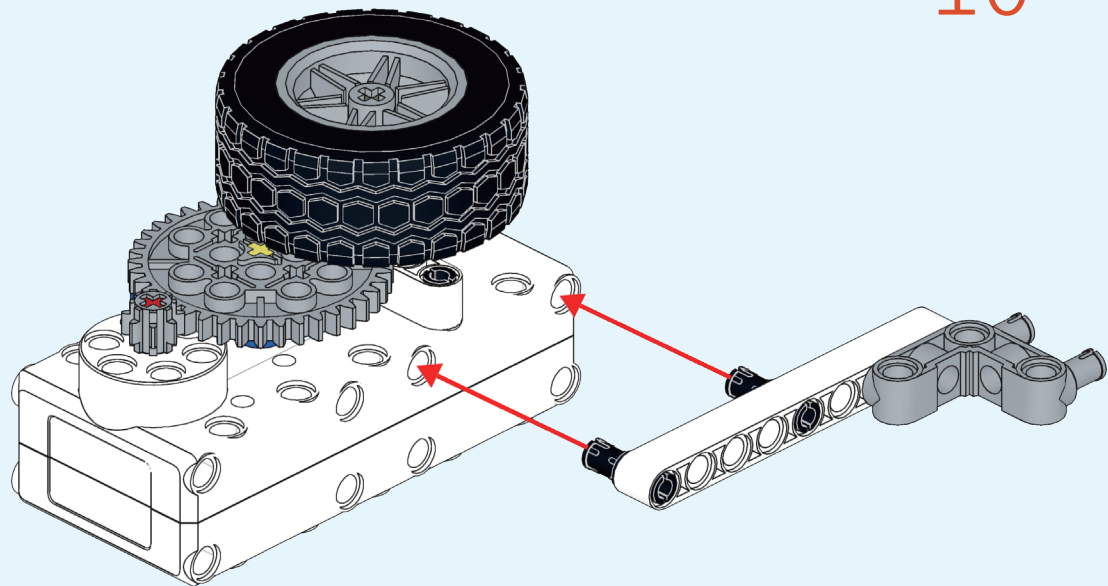


06

9

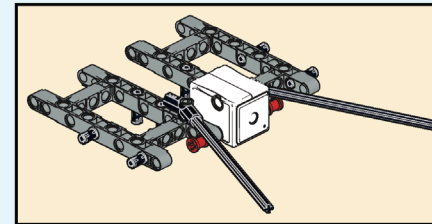
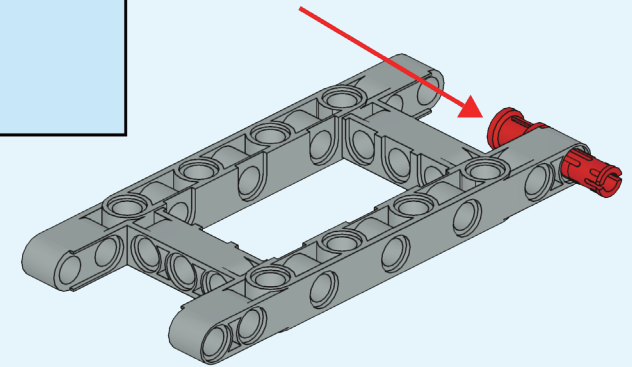
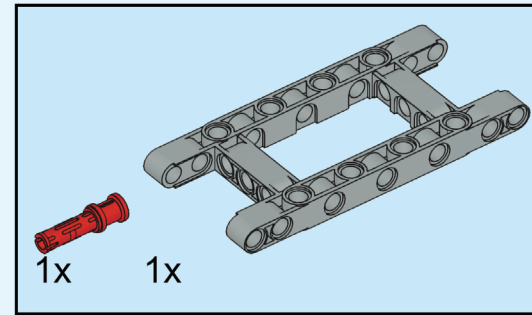


10

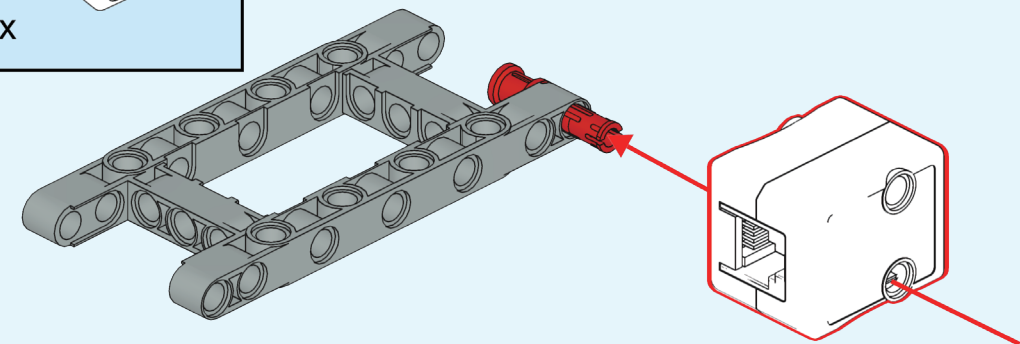
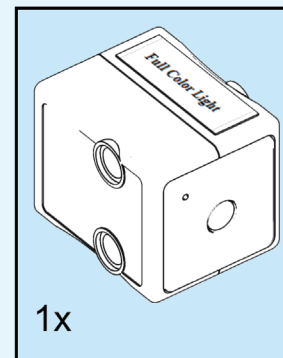


07

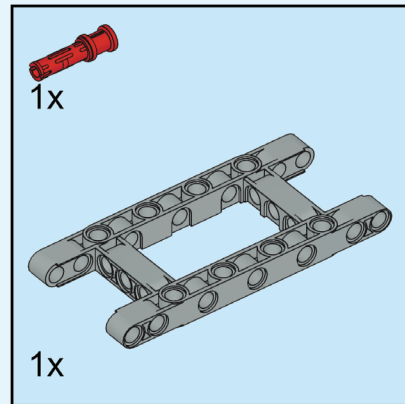
11



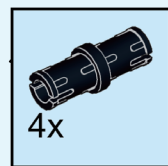
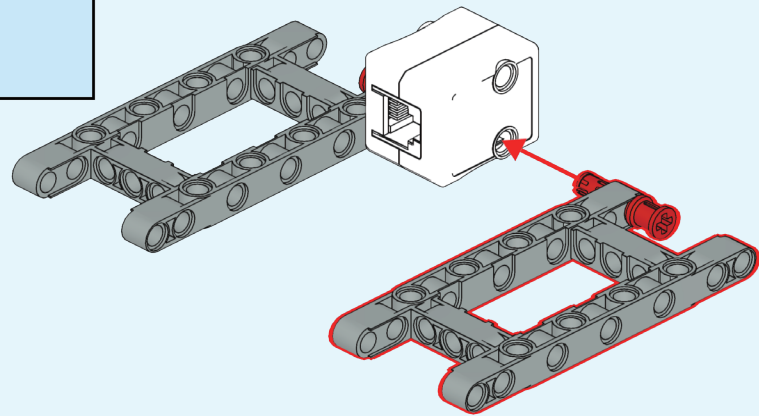
12



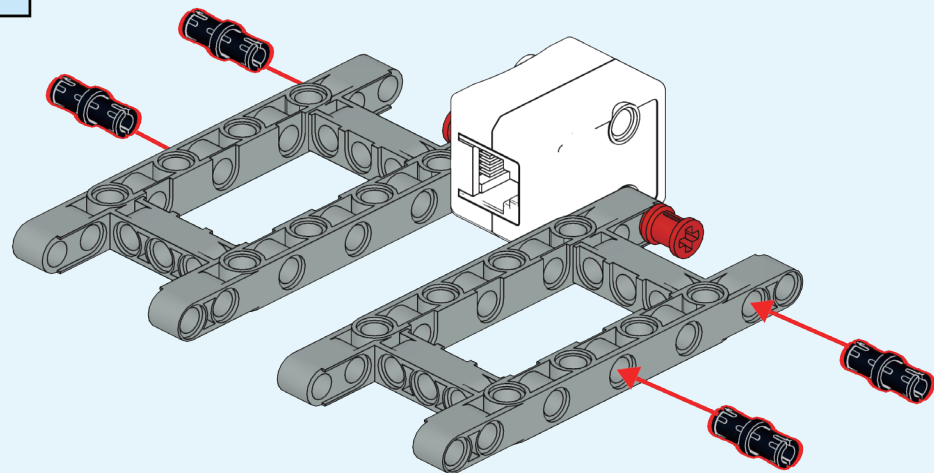
08



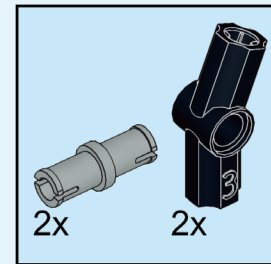
13



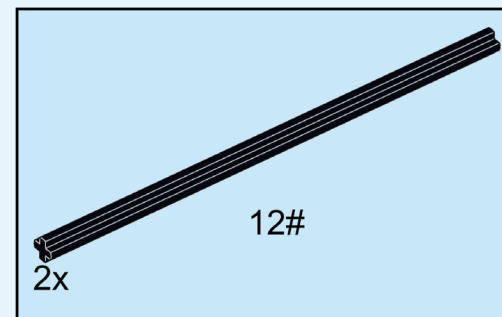
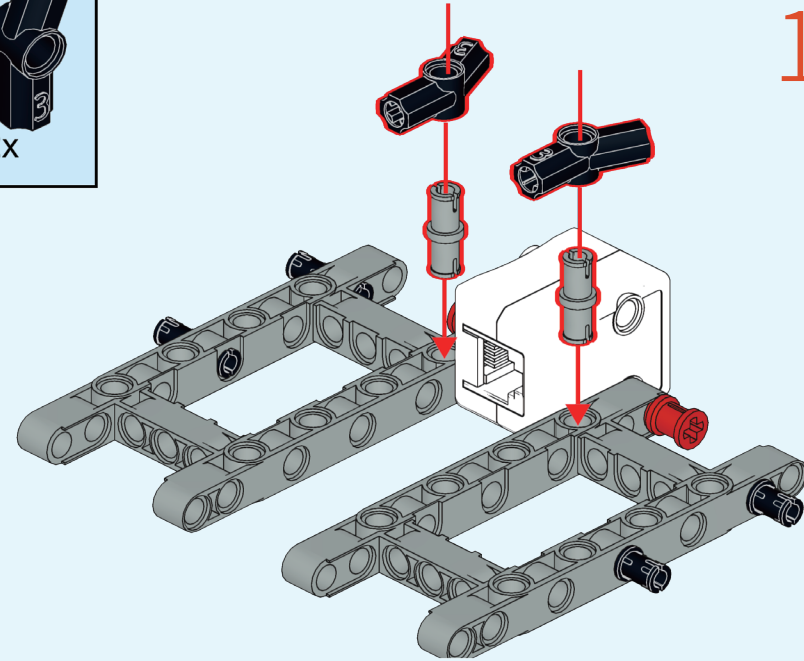
14



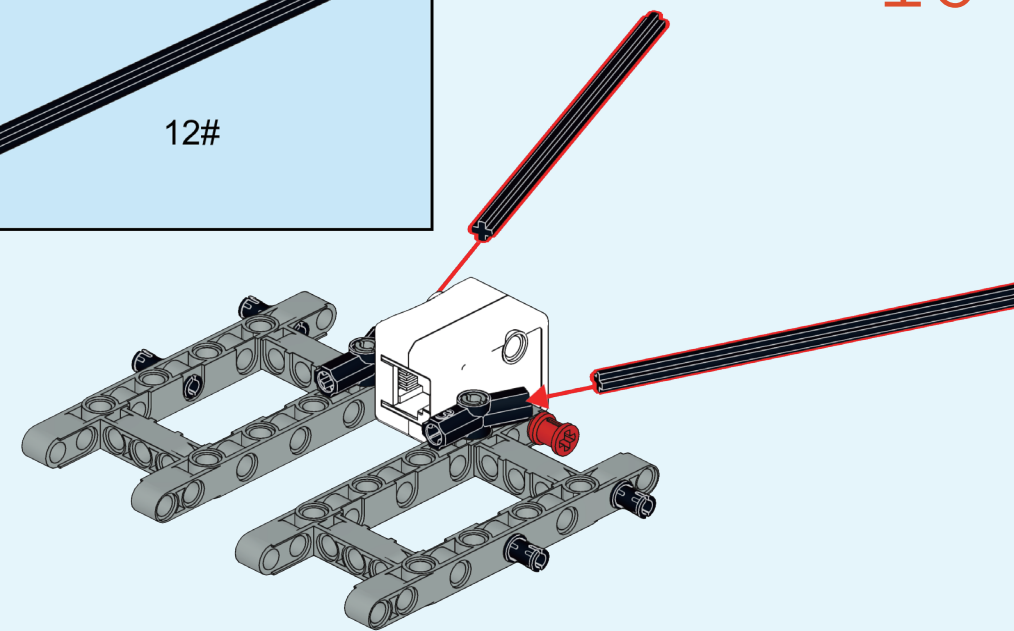
09



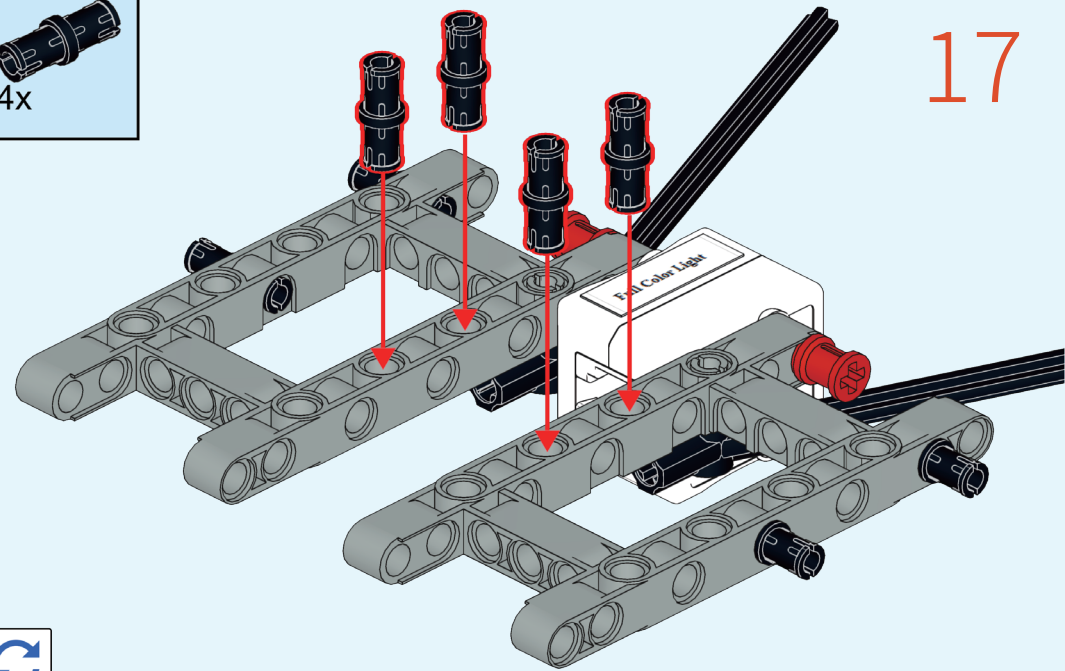
15



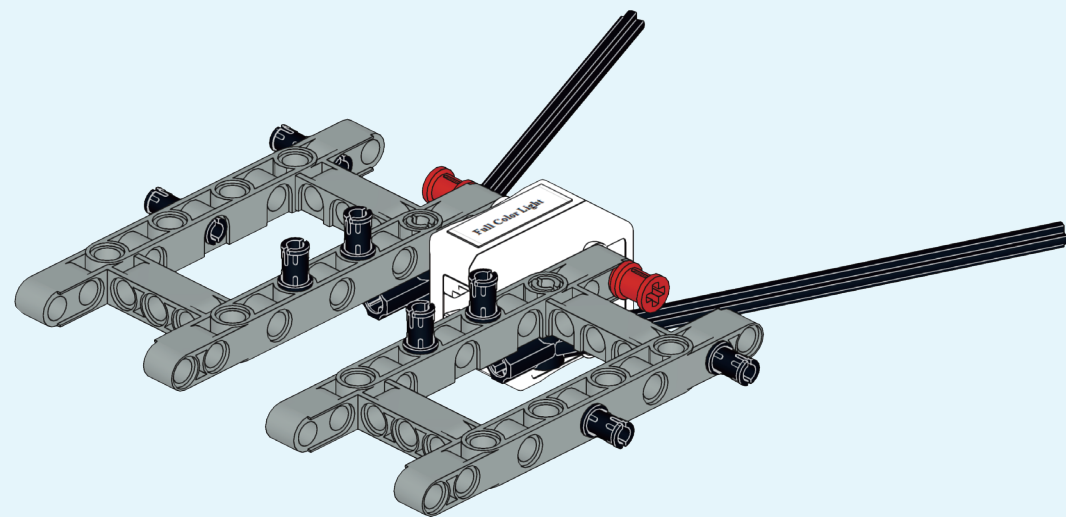
16



10

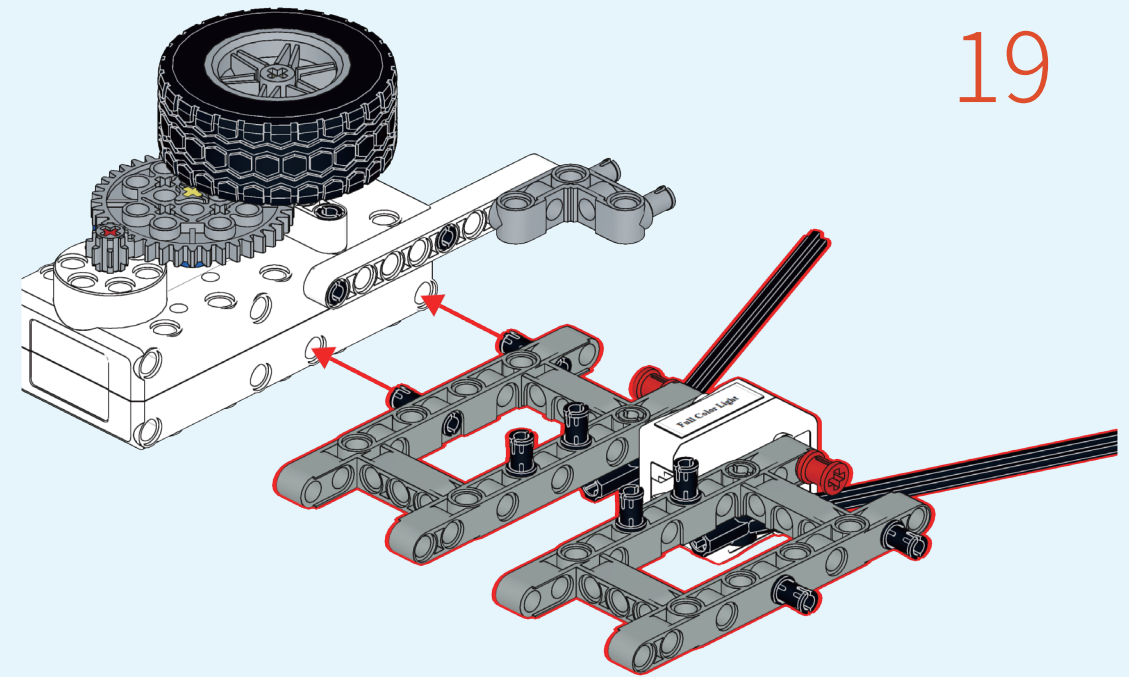


17

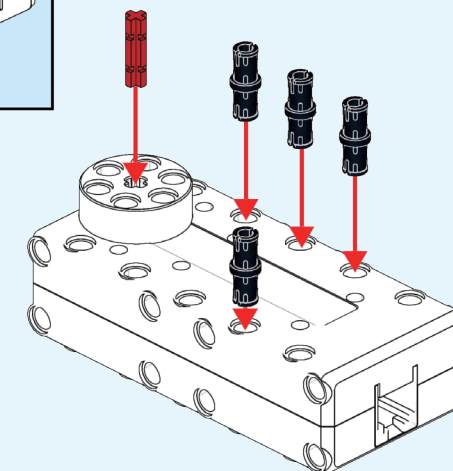
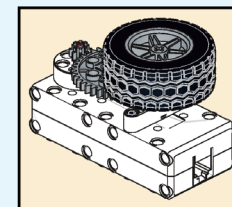
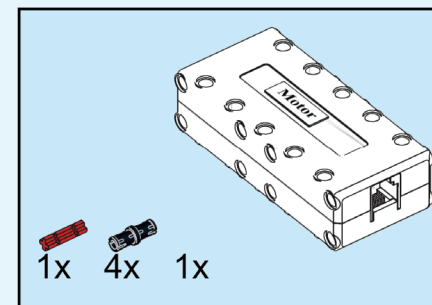


18

11

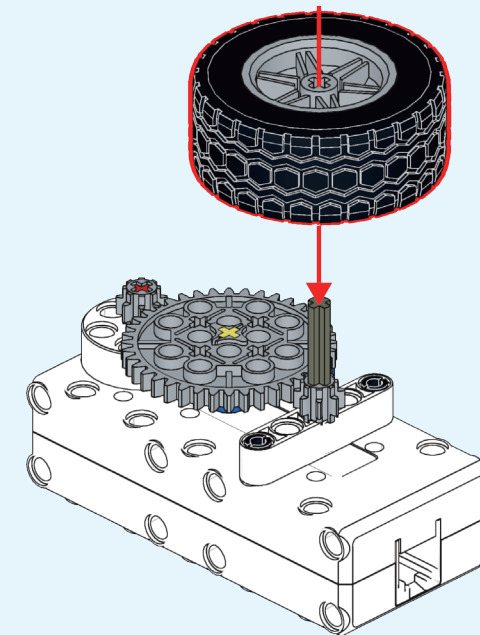
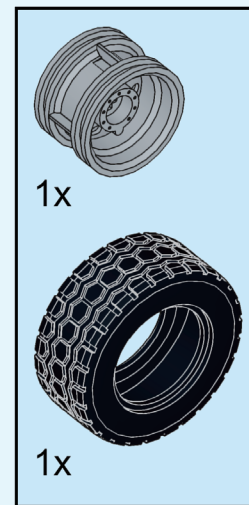
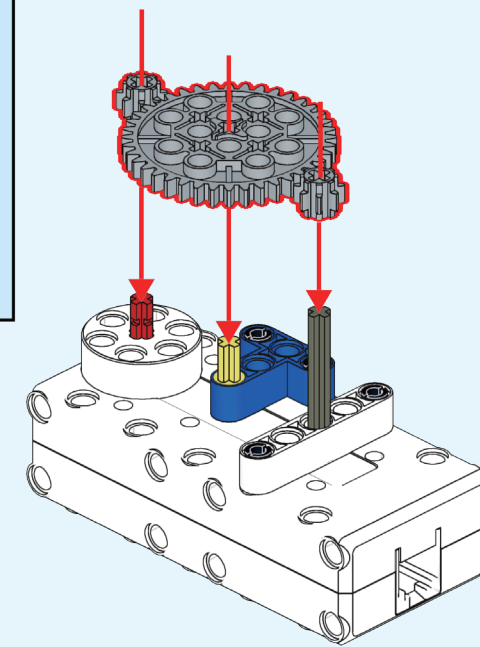
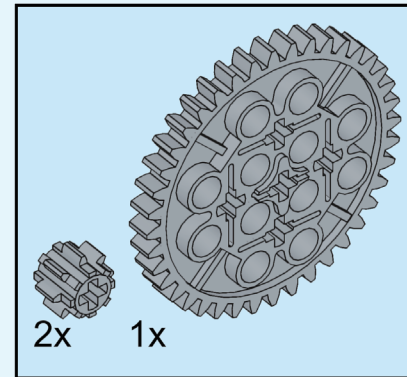
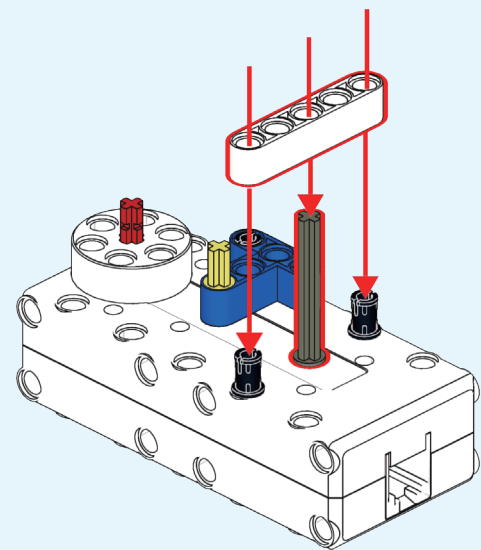
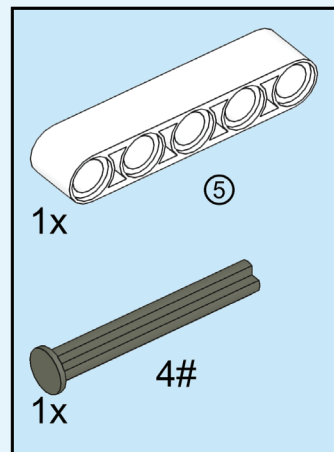
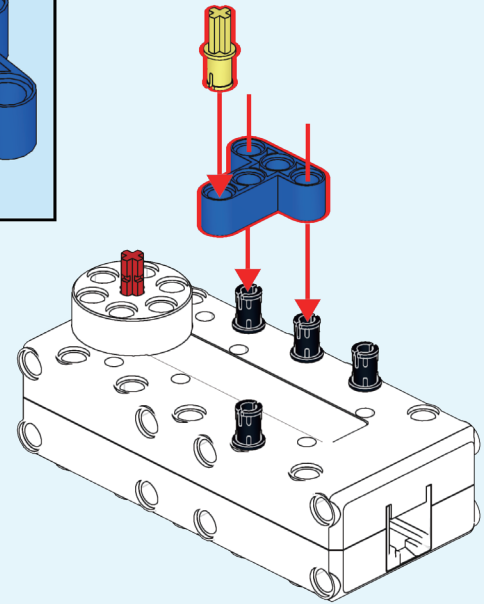
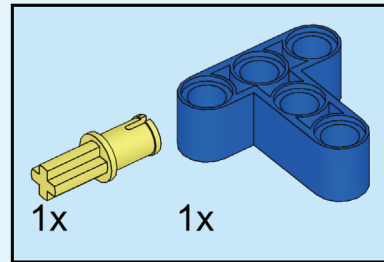


19

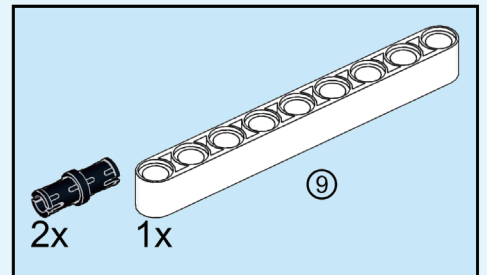
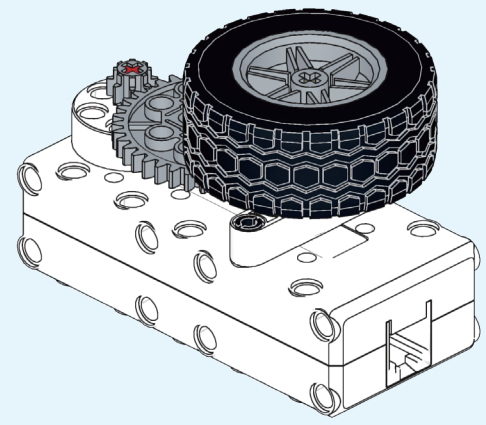


20

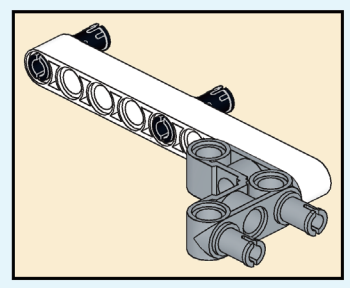
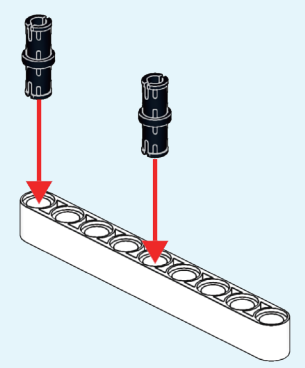
12



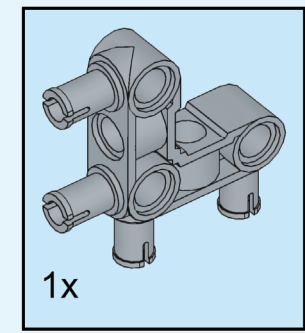
25



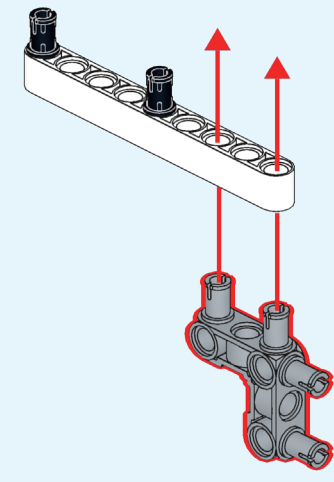
26



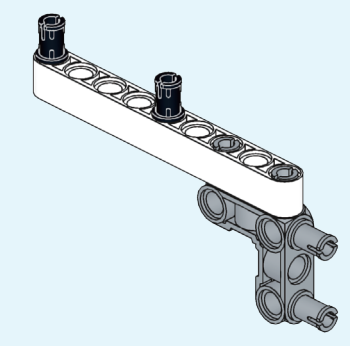
15



27

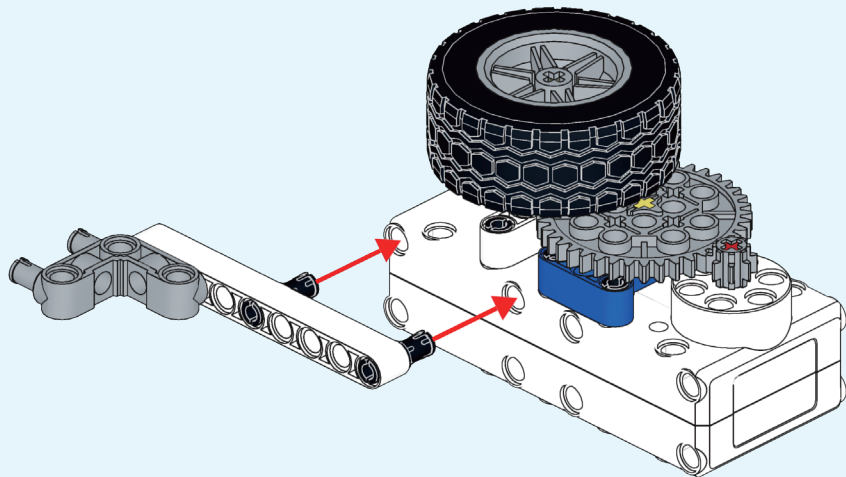


28

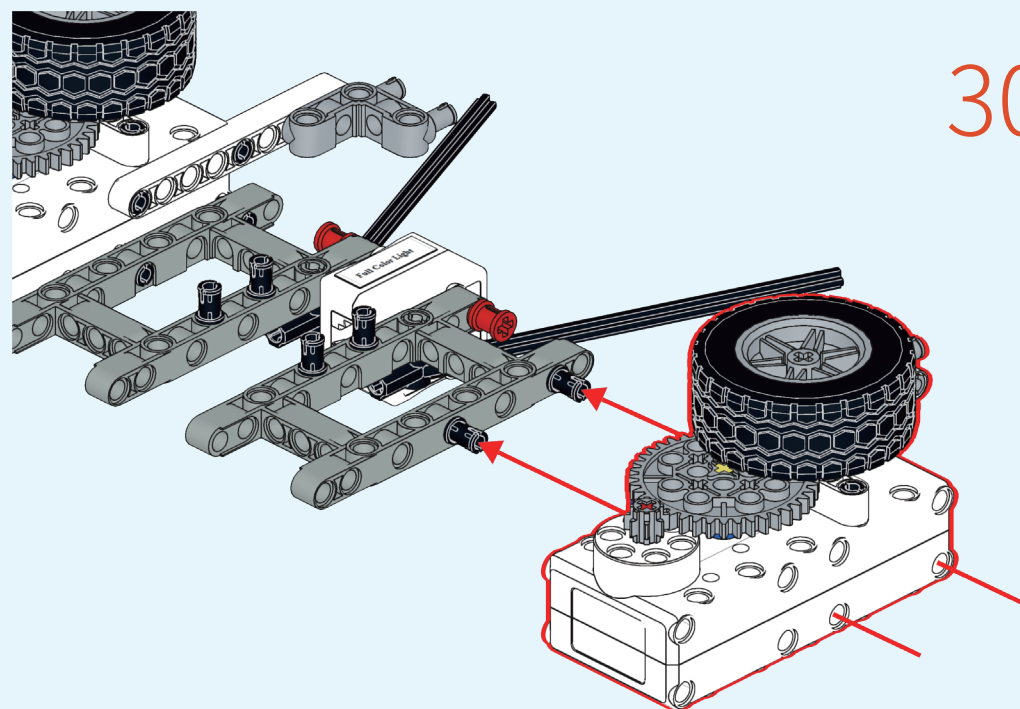


16

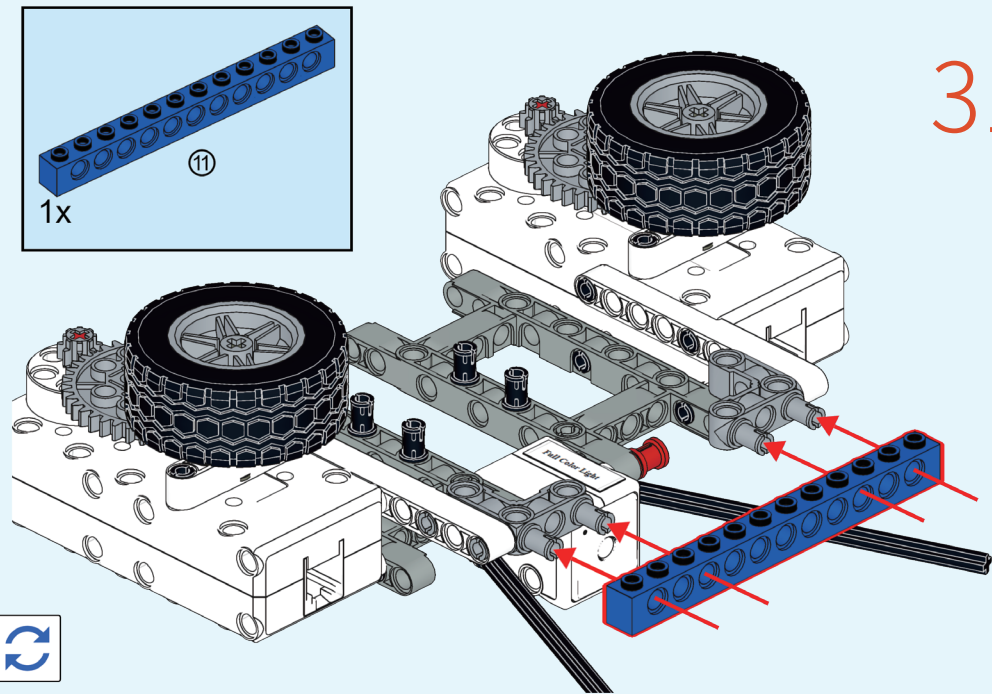
29



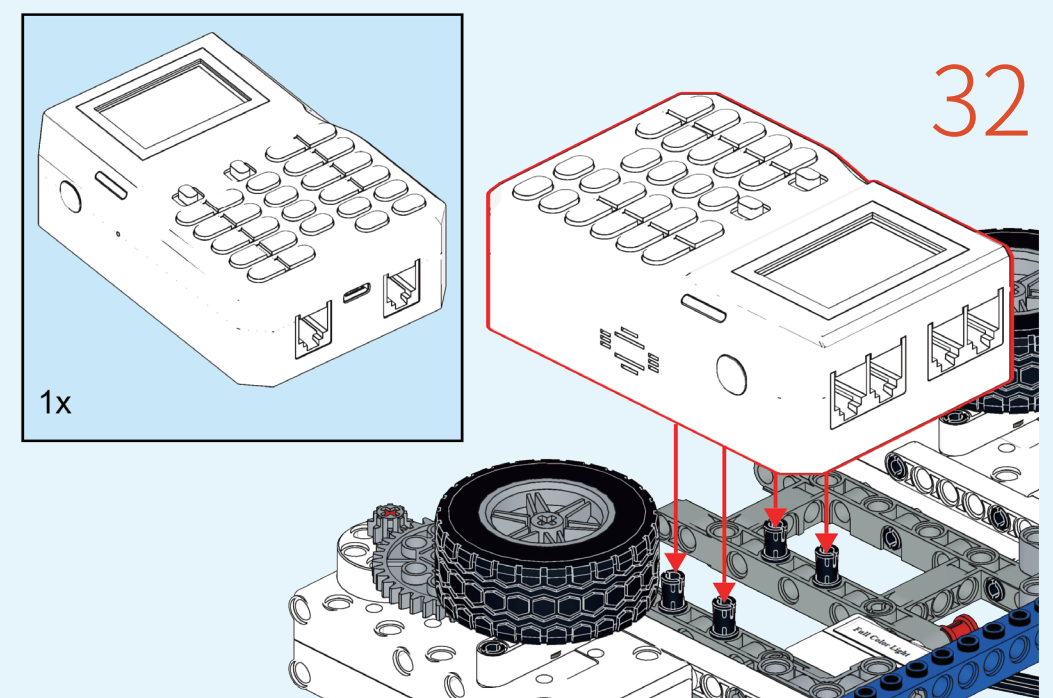
30

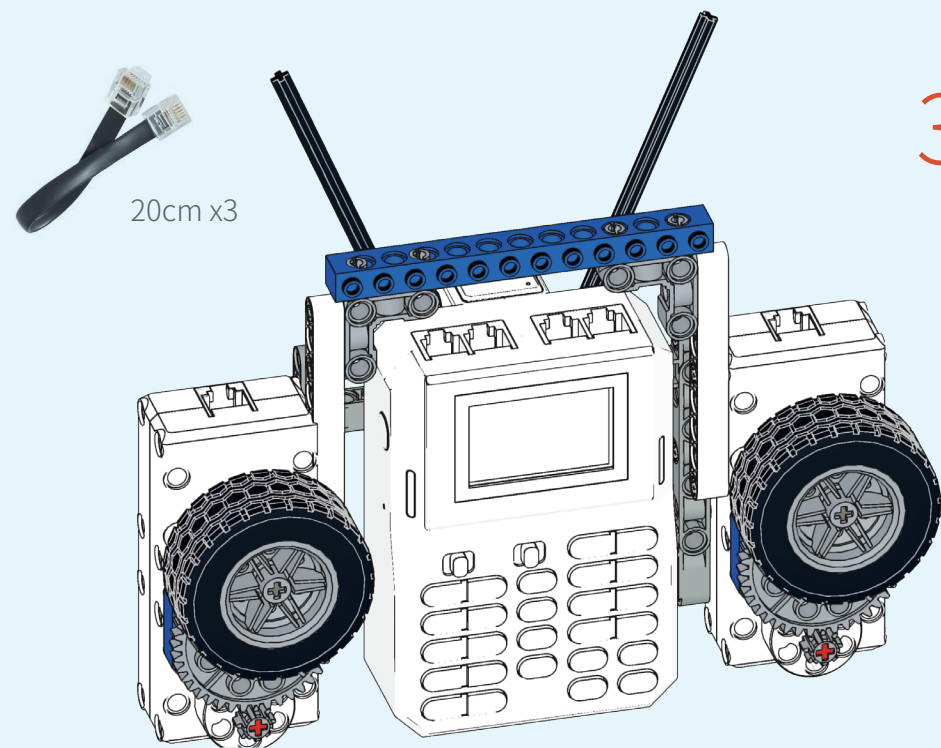


31



32





Note: Two motors are connected to ports A and B of the controller respectively, and the full color light is connected to port C of the controller.