

! 本手册仅用于说明本系列产品的的相关信息，仁信锁业随时可能因技术升级或采用更新的生产工艺而改进相关内容，或对本册的印刷错误及不准确的信息进行更改，恕不另行通知。客户订货时请联系本公司，以详询相关信息。

This manual is only used to explain the relevant information of this series of products. Renxin Lock Industry may improve the relevant content at any time due to technical upgrades or adopt newer production processes, or change the printing errors and inaccurate information in this book without notice. When placing an order, please contact our company for detailed information.

## 浙江仁信锁业有限公司

ZHEJIANG RENXIN LOCK INDUSTRY CO., LTD

地址：浙江省温州市乐清市柳市镇柳乐路2555号  
Add: No. 2555 Liule Road, Liushi Town, Yueqing City,  
Wenzhou City, Zhejiang Province  
电话/Tel: 0577-62700567  
手机/Mobile phone: 18815127758  
邮箱/E-mail: renxin@cnrenxin.com  
网址/Web: www.cnrenxin.com www.renxinlock.com



网站二维码



QR code

产  
品  
手  
册

浙  
江  
仁  
信  
锁  
业  
有  
限  
公  
司

2026

## 产品 选型手册 PRODUCTS SELECTION GUIDE



仁信锁业，信于大众  
Renxin Lock Industry, believe in the public



www.cnrenxin.com  
www.renxinlock.com

工业闭锁系统解决方案  
Industrial Latching System Solutions

## Brief Introduction 企业简介

浙江仁信锁业有限公司座落于“中国电器之都”—乐清柳市。是一家集研发、生产、销售、服务于一体的现代化科技型企业。

公司汇聚了一批拥有先进技术和雄厚实力的设计研发团队，长期致力于柜锁、铰链、拉手及工业五金制品的设计与开发。于2014年成立以来，秉承客户至上，诚信立业，仁心匠造”的发展理念，先后已有1000多款产品上市，并得到了广大新老客户的一致好评！产品广泛应用于航空航天5G技术、轨道交通、网络通讯、精密仪器等高科技领域，并远销世界各地，为各个行业保驾护航。

仁信锁业始终贯彻落实“质量第一、服务第一、为客户创造价值”的管理方针，为客户提供多种解决方案并及时处理各种技术难题，满足客户的不同需求，同时努力提高内部竞争力，按时、保质、保量地为客户提供更优质的产品和更完善的服务。

仁心匠造，信于大众，我们愿同四海知音，各界同仁一道携手并进，共同发展！

Founded in 2014,Zhejiang Renxin Lock Industry Co.,Ltd is a professional manufacturer,specializing in Rod lock ,Plane lock,Cam lock,Handle lock,Handle,Hinge,Buckle lock,with more than 1,000 varieties for your choice.Our products are widely used in high-tech fields such as aerospace, 5G technology, rail transportation, network communications, precision instruments, etc.







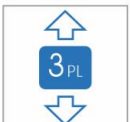
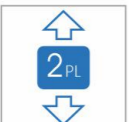
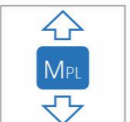












Renxin Locks is a technology-based enterprise integrating R&D, production, sales, and service. We consistently adhere to the management principle of "quality first, service first, and creating value for customers." We provide customers with a variety of solutions and handle various technical problems to meet the different needs of customers. At the same time, we strive to improve our internal competitiveness and provide customers with better products and more complete services on time, with guaranteed quality.

## Qualifications and Honors 资质荣誉



### Legend description

#### 图例说明

 密封圈内安装 INSIDE THE GASKETING	 密封圈外安装 OUTSIDE THE GASKETING	 外露式铰链 EXTERNAL HINGE	 隐蔽式铰链 CONCEALED HINGE	 卡式铰链 CASSETTE HINGE	 压缩式门锁 COMPRESSION
 三点锁门 3 POINT LOCKING SYSTEM	 两点锁门 2 POINT LOCKING SYSTEM	 多点锁门 MULTI-POINT LOCKING SYSTEM	 防护等级IP40 IP PROTECTION IP40	 防护等级IP50 IP PROTECTION IP50	 防护等级IP54 IP PROTECTION IP54
 防护等级IP64 IP PROTECTION IP64	 防护等级IP65 IP PROTECTION IP65	 右手开门 RH DOOR	 左手开门 LH DOOR	 右手开门和左手开门 RH DOOR OR LH DOOR	 发泡密封圈 EPDM PUR-FOAMED SEAL
 不锈钢 STAINLESS STEEL	 防水 WATERPROOF	 环保 ENVIRONMENTAL PROTECTION			

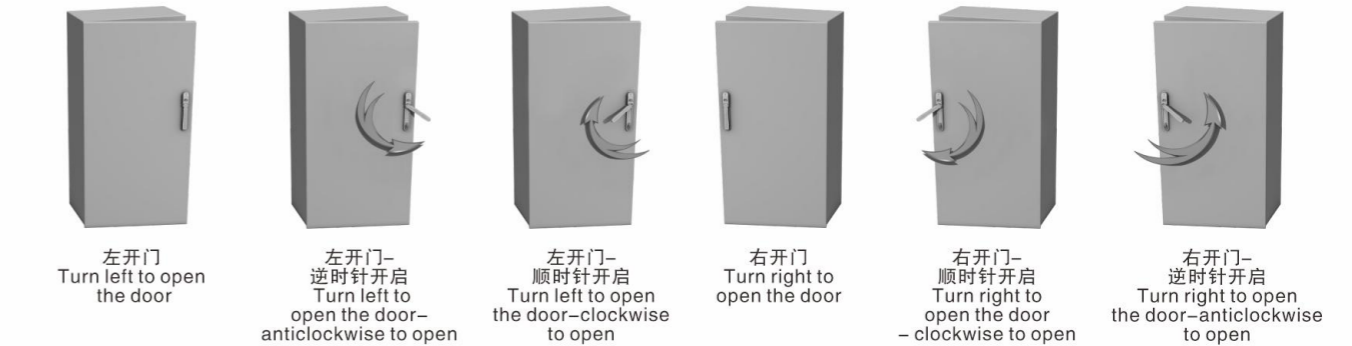
### Sample description

#### 样本说明

所有图纸均为右手门表示 All drawings are right hand doors
所有尺寸单位为mm All dimensions in mm
安装孔型备注: 所有尺寸为成品尺寸, 注意预留喷涂余量 Note on installation hole type: all dimensions are finished product dimensions, and pay attention to reserved spraying allowance
所有图纸未按比例表示 All drawings are not to scale
所有锁具、铰链、拉手、拉杆等附件表面均镀蓝白锌(也可按客户要求定做) All locks, hinges, handles, pull rods and other accessories are plated with blue white zinc (customized according to customer requirements)
扁连杆的外型尺寸为: 3x14mm External dimension of flat connecting rod: 3x14mm
ROHS 标准产品必须订做 ROHS standard products must be customized

### RH / LH Sketch map

#### 左右开门示意



序号Serial number	表面处理Surface treatment	
1	喷塑RAL7032	Powder coated RAL7032
2	喷塑RAL7035	Powder coated RAL7035
3	麻面黑	Black textured powder coated
4	无光黑	Black matte powder coated
5	电泳黑	Black plated
6	电镀亮铬	Bright chrome plated
7	亚光铬	Matte chrome plated
9	电镀锌	Zinc plating
10	电镀镍	Nickel plated
11	蓝绿色	Bule green powder coated
12	纳米喷漆银亚光NM	NM Spray painting matte silver
13	喷沙	Sand sprayed
14	喷沙镀铬	Textured Chrome Plated
15	乳白色	Powder coated RAL9016
20	喷沙镀镍	Textured Nickel plated

#### 成品主材质代码说明

序号Serial number	材质Material	
1	锌合金	Zinc alloy
2	塑料类	Nylon
3	不锈钢类	Stainless steel
4	铁类	Iron
5	铜类	Brass
6	铝合金类	Aluminum alloy

序号Serial number	代号说明Code description
1	名称字母代号: MS (门锁)、CL (铰链)、LS (拉手)、LG (连杆) 等 Code description: MS(Lock), CL(Hinge), LS(Handle),LG(Rod).
2	产品型号: -1, -2 Type code: -1, -2
3	左右之分: R代表右手开门, L代表左手开门 The distinction between left and right: R (Right side opening), L (Left side opening)
4	止口高度H和中心距L H: Grip range, L: center distance
5	表面处理: 以数字填写 (以上面色块编号对应) Finishing: Fill in with numbers (corresponding to the color codes above)

连杆锁 / Rod Control Lock



平面锁 / Plane Lock



平面锁 / Plane Lock



执手锁 / Handle Lock



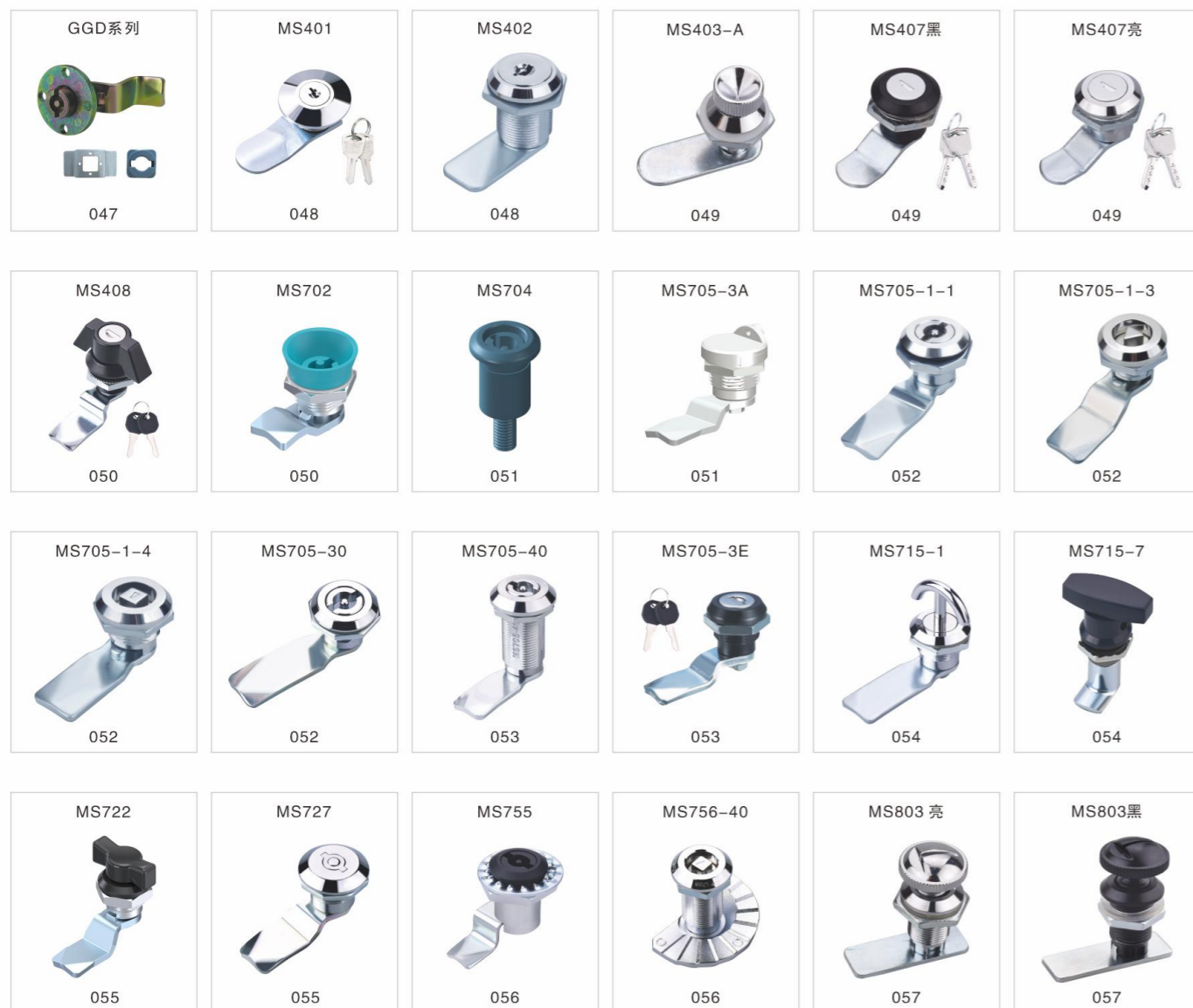
拉手 / Handle



拉手 / Handle



转舌锁 / Cam lock



转舌锁 / Cam lock










铰链系列 / Hinge series



铰链系列 / Hinge series

CL203-1  066	CL203-3R/L  067	CL204-2  067	CL206  068	CL206A  068	CL207  068
CL209-1  069	CL209-1  069	CL209-2  069	CL211-3  070	CL213-1  070	CL213-2  071
CL213-3  071	CL216  072	CL217  072	CL218-40(CL4040)  073	CL218-50(CL5050)  073	CL218-60(CL6060)  073
CL218-40A(CL4040A)  073	CL218-50A(CL5050A)  073	CL218-60A(CL6060A)  073	CL219-3  074	CL222  074	CL225系列  075
CL226-4  075	CL226-4A  075	CL226-5  076	CL226-5A  076	CL230  076	CL233-1  077
CL234  077	CL237-1  078	CL6060-30  078	CL6065  078	CL6070-40  078	HL006-R/L  079

铰链系列 / Hinge series

HL019R/L  079	HL034  080	HL093R  080	HL093L  080	铁抽屉铰链  081	铁大门铰链  081
大门铰链  082	塑料大铰链  082				

搭扣锁 / Buckle Lock

XAV28-1  083	XAV28-2  083	DKS-1  083	DKS-2  083	DKS-3  084	DK601  084
DK604-1  085	DK604-2  085	DK604-G  085	DK634  086	DK634-G  086	CX406  086
DK725-1  087	DK725-1  087	DK725-2  087	PL021-1  087	PL021-2  087	














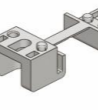
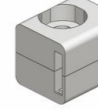






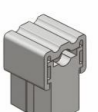


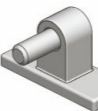

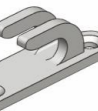



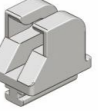
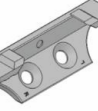
不锈钢系列 / Stainless steel series

MS705系列  088	MS816系列  088	MS816系列  088	MS816系列  088	MS816系列  088	MS858  089
MS866-26  089	HFL11系列  090	CL222  090	CL230  091	CL237-2  091	三联铰链无杆  092
三联铰链带杆  092	JC012  093	JC115  093	ES1321  094	LS11501M  094	LS11504M  095
LS12000M  095					

密码锁 / Combination lock

密码锁P01  096	密码锁P02  096				
--	--	--	--	--	--



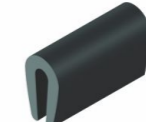

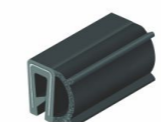


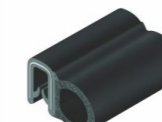


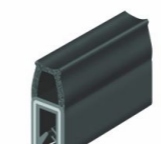

附件 / Accessories

多功能钥匙  097	大一字钥匙  097	小一字钥匙  097	大四方钥匙  097	小四方钥匙  098	大三角钥匙  098
小三角钥匙  098	六角钥匙  098	单点耳朵片  099	两点耳朵片  099	三点耳朵片 (短)  099	三点耳朵片 (长)  099
LG011  100	RG001-1  100	RG001-2  100	RG001-3  100	RG001-4  100	RG001-5  101
RG001-8  101	RG001-9  101	RG001-10  101	RG001-11  101	RG002  102	RG002-A  102
RG003-1  102	RG003-2  102	RG003-3  102	RG003-4  102	RG003-5  103	RG003-6  103
RG003-7  103	RG003-8  103	RG003-9  103	RG003-10  103	RG003-11  104	RG003-14  104

附件 / Accessories

RG003-15  104	RG004-1  104	RG004-2  104	RG004-3  104	RG005-1  105	RG005-2  105
RG005-3  105	RG006-1  105	RG006-2  105	RG007  105	拉攀HP001  106	防水盖WP01  106
导向件RG006-6  106	固定扣RG003-1-R1  106	固定扣RG003-2B  106	固定扣RG003-5-R1  106	限位器RX80-2L  107	限位器RX80-2R  107
LG001-1-L  108	LG001-2-L  108	LG007-A-L  109	LG007-B-L  109	LG003-1-L  110	LG010-1-L  110
LG004-1-L  111	LG006  111	MFT-001  112	MFT-002  112	MFT-003  112	MFT-004  112
MFT-008  112	MFT-009  112	MFT-014  113	MFT-015  113	MFT-018  113	MFT-048  113

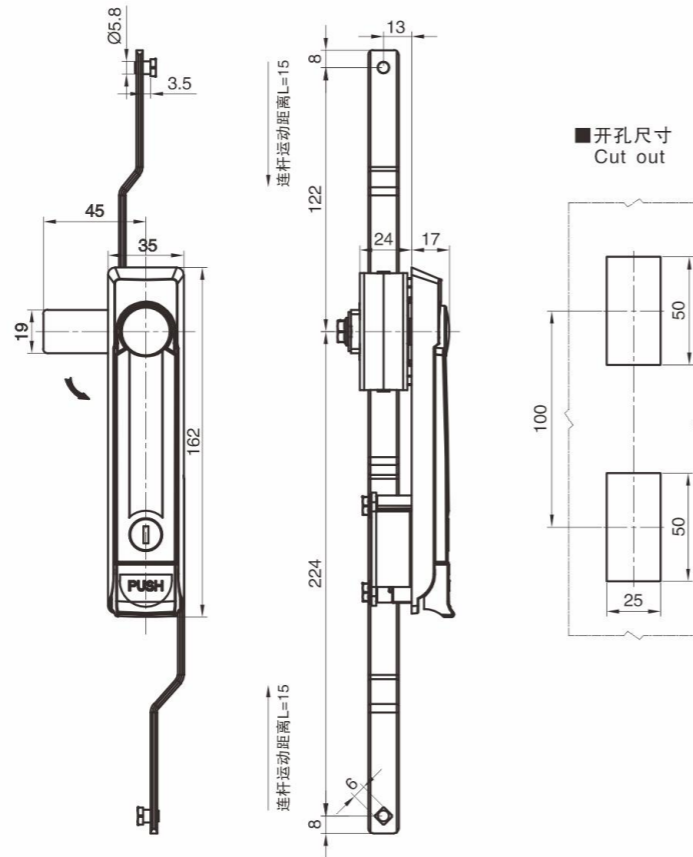
附件 / Accessories

MFT-049  113	MFT-050  113	MFT-059  114	MFT-076  114	MF-001  114	MF-002  114
MF-003  114	MF-004  114	MF-005  115	MF-006  115	MF-010  115	MF-011  115
MF-017  115	MF-018  115	海绵发泡方形密封胶条  116	观察窗胶条  116		



连杆锁  
Rod Control Lock

MS741



材质: 锌合金主体、镀锌齿条及锁片等  
表面处理: 砂纹黑  
打开方式: 钥匙左旋180° 解锁后拔出钥匙, 按下方 PUSH键  
适用门板: 厚度1~4mm  
特殊定制: 可定制不互开款 (1000组不互开)  
Material: Zinc alloy body, galvanized rack and lock plate, etc  
Surface treatment: Sandprint black  
Opening method: Turn the key 180° left to unlock, then remove the key and press the PUSH button below  
Applicable door panel: thickness 1~4mm  
Special customization: Customizable non interchangeable styles (1000 sets non interchangeable)

平面锁  
Plane Lock

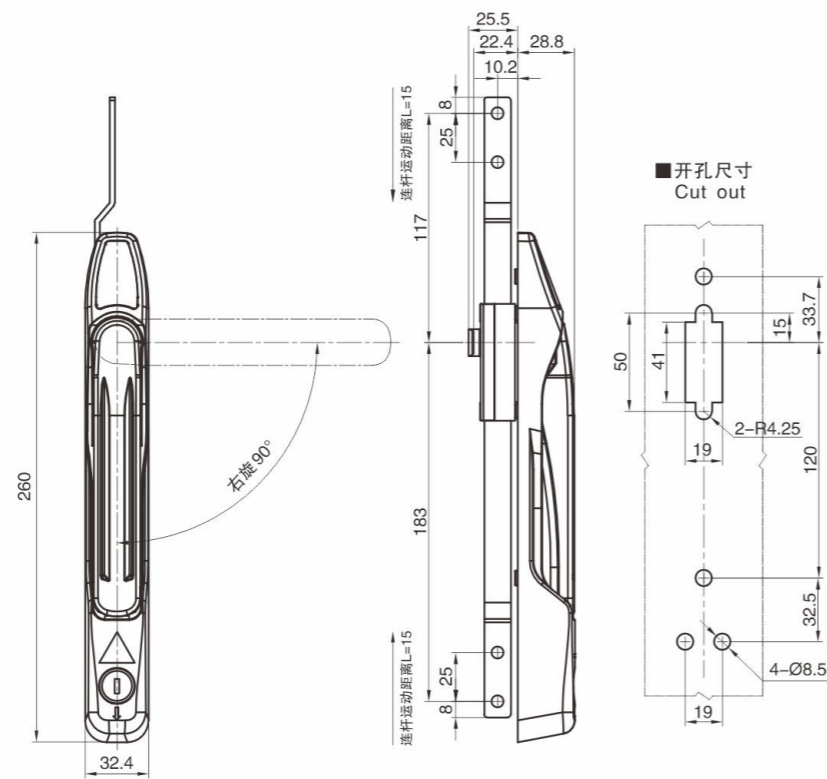
执手锁  
Handle Lock

拉手  
Handle

转舌锁  
Cam lock

铰链系列  
Hinge series

MS8054



材质: 锌合金主体  
表面处理: 米白、无光黑、沙铬  
打开方式: 钥匙左旋180° 解锁后按压锁芯, 把手右旋 90° 打开  
适用门板: 厚度1~3mm  
Material: Zinc alloy body  
Surface treatment: beige, matte black, sand chrome  
Opening method: Turn the key 180° left to unlock, press the lock cylinder, and turn the handle 90° right to open  
Applicable door panel: thickness 1~3mm

搭扣锁  
Buckle Lock

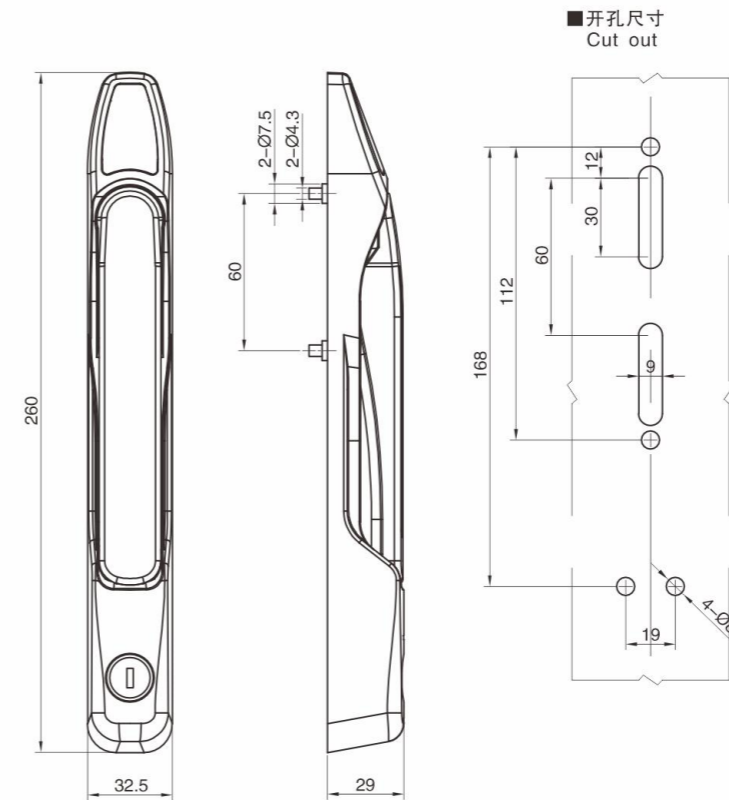
不锈钢系列  
Stainless steel series

密码锁  
Combination lock

附件  
Accessories

连杆锁  
Rod Control Lock

MS8054-A



材质: 锌合金主体  
表面处理: 米白、无光黑、沙铬  
打开方式: 钥匙左旋180° 解锁后按压锁芯, 锁背弹起 打开  
适用门板: 厚度1~3mm  
Material: Zinc alloy body  
Surface treatment: beige, matte black, sand chrome  
Opening method: Turn the key 180 degrees left to unlock, press the lock cylinder, and the lock back will pop up to open  
Applicable door panel: thickness 1~3mm

平面锁  
Plane Lock

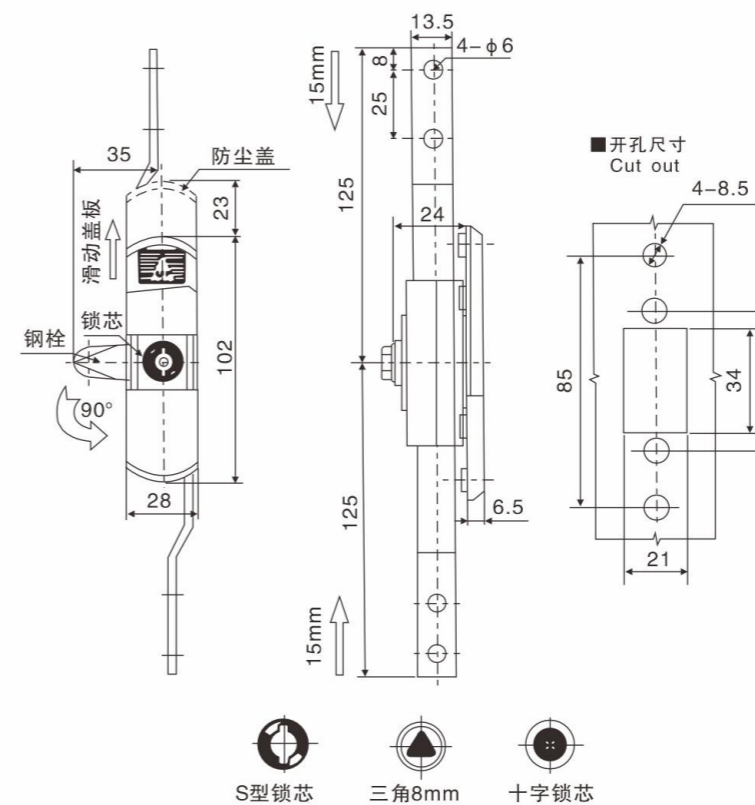
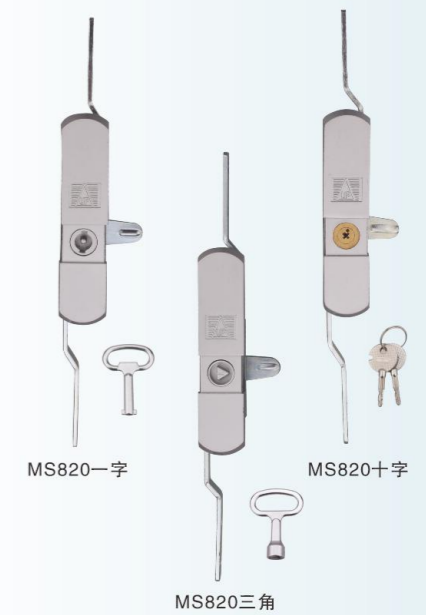
执手锁  
Handle Lock

拉手  
Handle

转舌锁  
Cam lock

铰链系列  
Hinge series

MS820



产品材质: 锌合金  
表面处理: 纳米喷漆 亚光色  
结构说明: 滑动防水盖, 旋转锁芯, 带动拉杆锁片, 实现开启或锁闭  
Material: zinc alloy  
Surface treatment: NM spray matte color  
Structure Description: sliding waterproof cover, rotating lock cylinder, pull the lever lock plate to achieve open or locked.

搭扣锁  
Buckle Lock

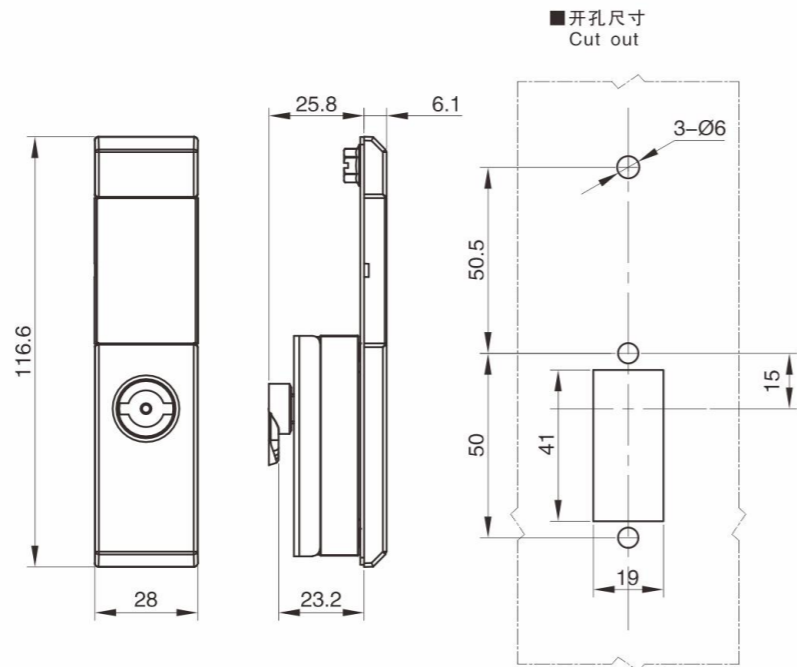
不锈钢系列  
Stainless steel series

密码锁  
Combination lock

附件  
Accessories

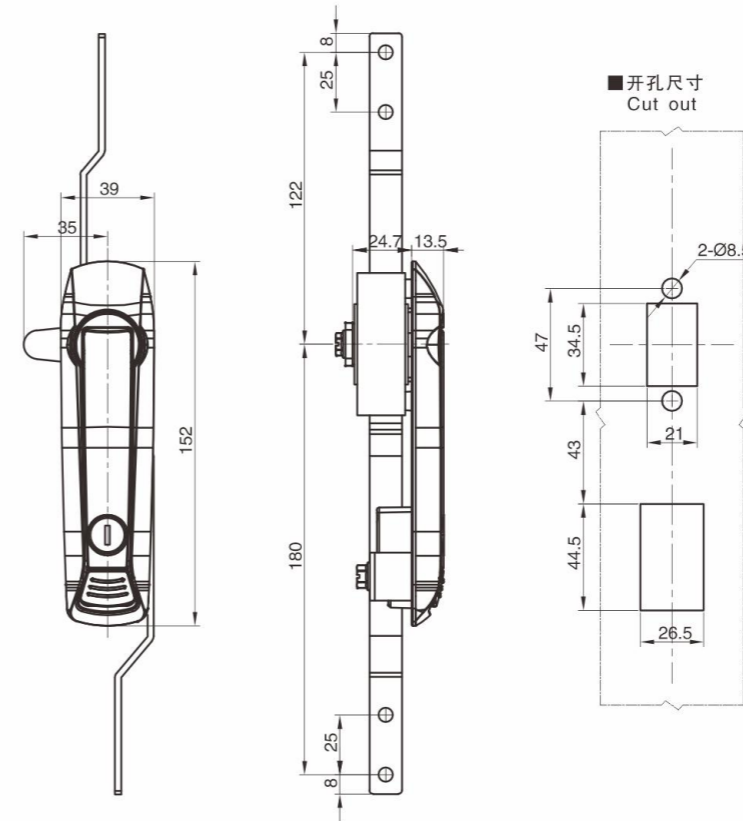
连杆锁  
平面锁  
执手锁  
拉手  
转舌锁  
铰链系列  
搭扣锁  
不锈钢系列  
密码锁  
附件

MS821



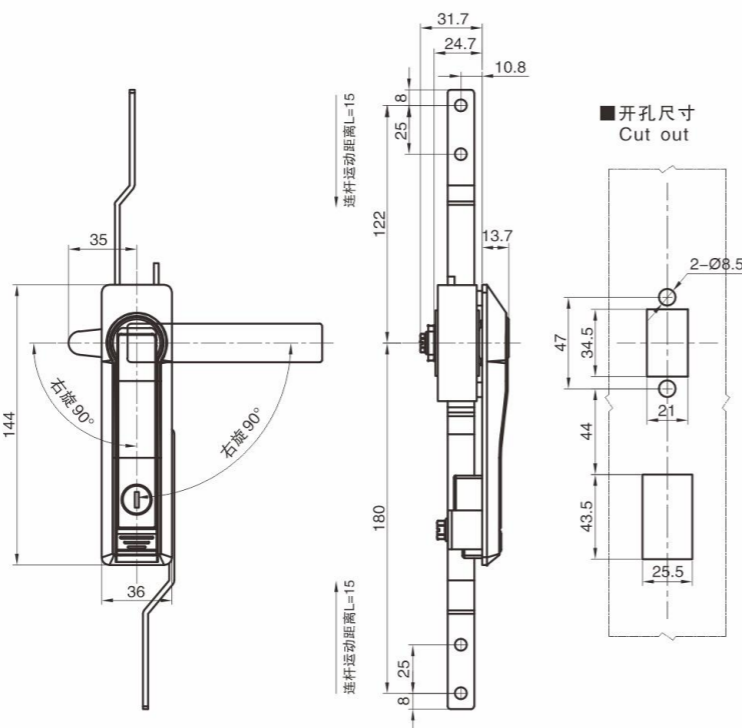
材质: 塑料主体, 锌合金锁芯, 镀锌拉杆  
适用门板: 厚度1.5-2mm  
Material: Plastic body, zinc alloy lock core, galvanized pull rod  
Applicable door panel: thickness 1.5-2mm

MS828-8



材质: 锌合金主体  
表面处理: 沙铬、亚光、无光黑  
打开方式: 钥匙左旋180° 按压下方后解锁, 把手右旋90° 打开  
适用门板: 厚度1-4mm  
Material: Zinc alloy body  
Surface treatment: sand chrome, matte, matte black  
Opening method: Turn the key 180° left and press down to unlock, then turn the handle 90° right to open  
Applicable door panel: thickness 1-4mm

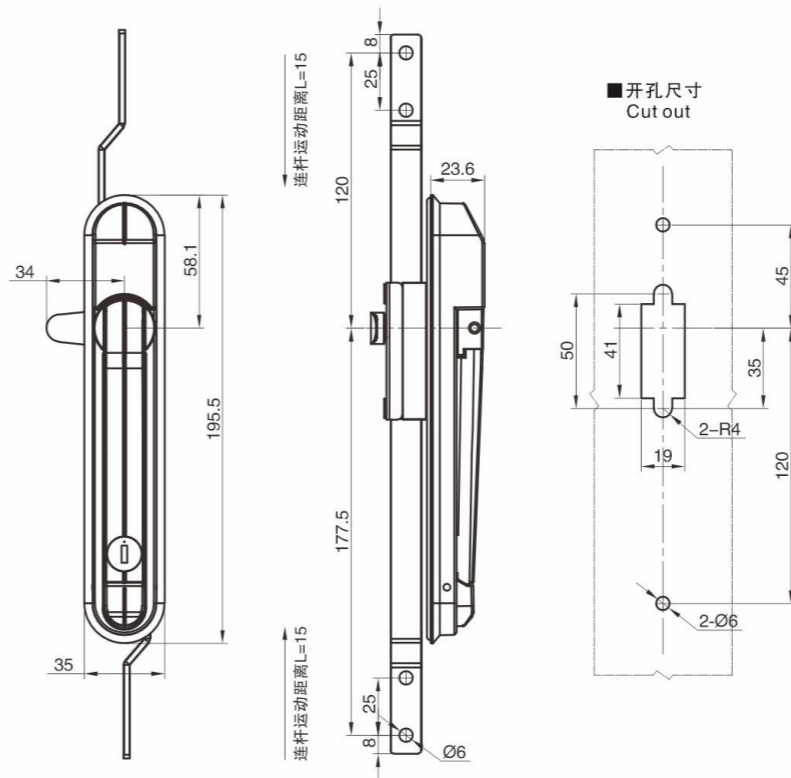
MS828



材质: 锌合金主体/选配铝合金主体  
表面处理: 亚光、无光黑  
打开方式: 钥匙右旋180° 按压下方后解锁, 把手右旋90° 打开  
适用门板: 厚度1-4mm  
Material: Zinc alloy body/optional aluminum alloy body  
Surface treatment: matte, matte black  
Opening method: Turn the key 180° to the right and press down to unlock, then turn the handle 90° to the right to open  
Applicable door panel: thickness 1-4mm

型号Model	材质选配Material selection	锁芯Lock cylinder	备注Remark
MS828	锌壳 Zinc housing	双开 Double Operation	带杆无挂With rod and no hook
MS828-G	铝壳 Aluminum housing	单开 Single Operation	带杆带挂With rod and hook
MS828		弹子Pin tumbler	带杆无挂With rod and no hook

MS829



材质: 锌合金主体、镀锌齿条  
表面处理: 沙铬、半高光灰  
打开方式: 钥匙左旋180°, 按压下方按钮解锁  
适用门板: 厚度1-3mm  
Material: Zinc alloy body, galvanized gear rack  
Surface treatment: sand chromium, semi gloss gray  
Opening method: Turn the key 180° left and press the button below to unlock  
Applicable door panel: thickness 1-3mm

Rod Control Lock

Plane Lock

Handle Lock

Handle

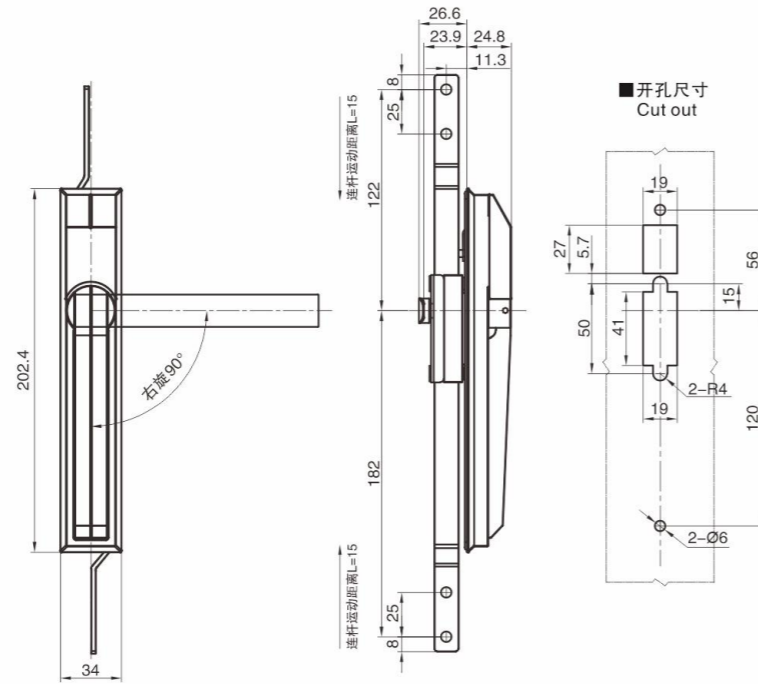
Cam lock

## MS830



MS830-2 MS830-2G

材质：锌合金主体  
 表面处理：灰白、半灰白、米黄、半米黄、沙铬、半沙铬、无光黑  
 打开方式：锁盖上推，钥匙右旋180° 解锁后把手右旋90° 打开  
 适用门板：厚度1~3mm  
 Material: Zinc alloy body  
 Surface treatment: gray white, semi gray white, beige, semi beige, sandy chrome, semi sandy chrome, matte black  
 Opening method: Push up the lock cover, turn the key 180° to the right to unlock, and then turn the handle 90° to the right to open  
 Applicable door panel: thickness 1~3mm



产品型号Model	配置Remark
MS830-1	无杆Without rod
MS830-2	带杆With rod
MS830-1G	无杆带挂Without rod and with hook
MS830-2G	带杆带挂With rod and hook

Rod Control Lock

Plane Lock

Handle Lock

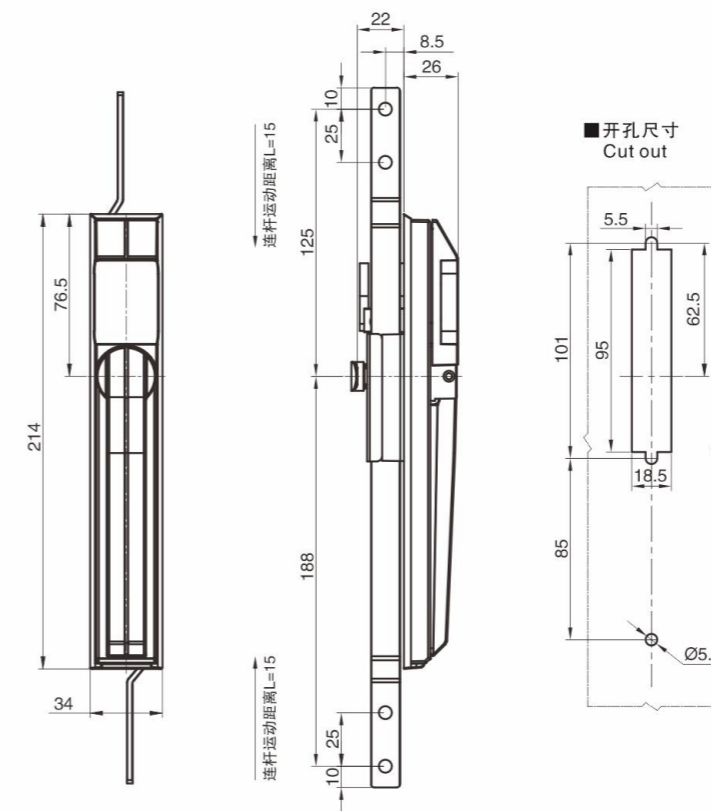
Handle

Cam lock

## MS830-3/-3G



材质：锌合金主体、镀锌齿条  
 表面处理：灰白、半灰白、米黄、半米黄、沙铬、半沙铬、无光黑  
 打开方式：锁盖上推，钥匙右旋45° 解锁后把手弹起  
 适用门板：厚度1~3mm  
 Material: Zinc alloy body, galvanized gear rack  
 Surface treatment: gray white, semi gray white, beige, semi beige, sandy chrome, semi sandy chrome, matte black  
 Opening method: Push up the lock cover, turn the key 45 degrees to the right to unlock, and then pop up the handle  
 Applicable door panel: thickness 1~3mm



Hinge series

Buckle Lock

Stainless steel series

Combination lock

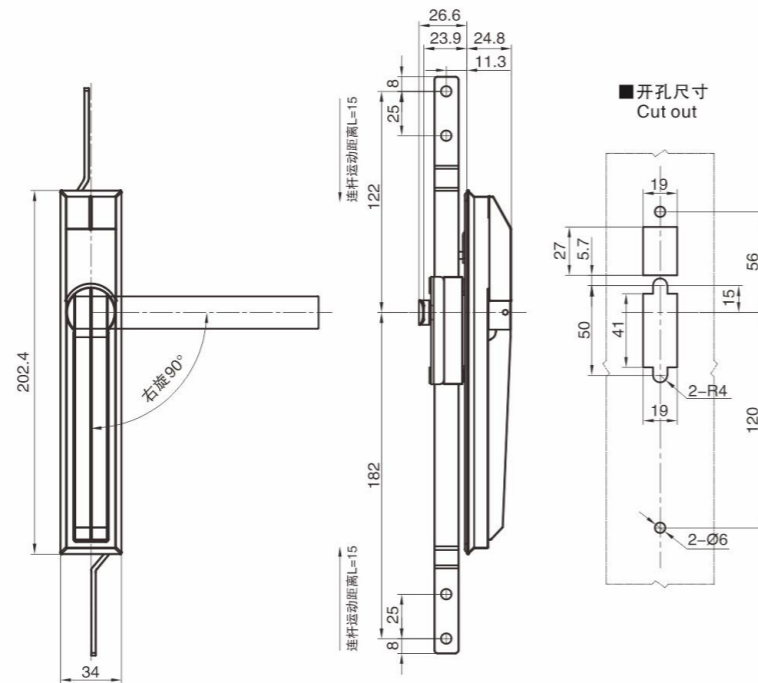
Accessories

## MS830-W



MS830-2W/-2WG

材质：锌合金主体  
 表面处理：灰白、半灰白、米黄、半米黄、沙铬、半沙铬、无光黑  
 打开方式：锁盖上推，钥匙右旋180° 解锁后把手右旋90° 打开  
 适用门板：厚度1~3mm  
 Material: Zinc alloy body  
 Surface treatment: gray white, semi gray white, beige, semi beige, sandy chrome, semi sandy chrome, matte black  
 Opening method: Push up the lock cover, turn the key 180° to the right to unlock, and then turn the handle 90° to the right to open  
 Applicable door panel: thickness 1~3mm



产品型号Model	配置Remark
MS830-1W	无杆Without rod
MS830-2W	带杆With rod
MS830-1WG	无杆带挂Without rod and with hook
MS830-2WG	带杆带挂With rod and hook

Hinge series

Buckle Lock

Stainless steel series

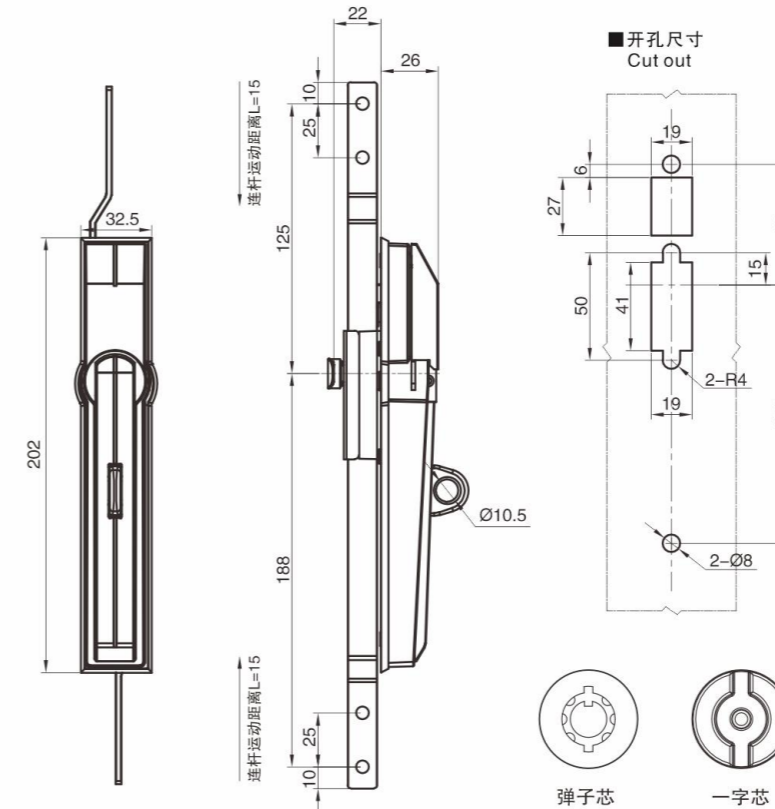
Combination lock

Accessories

## MS830-6

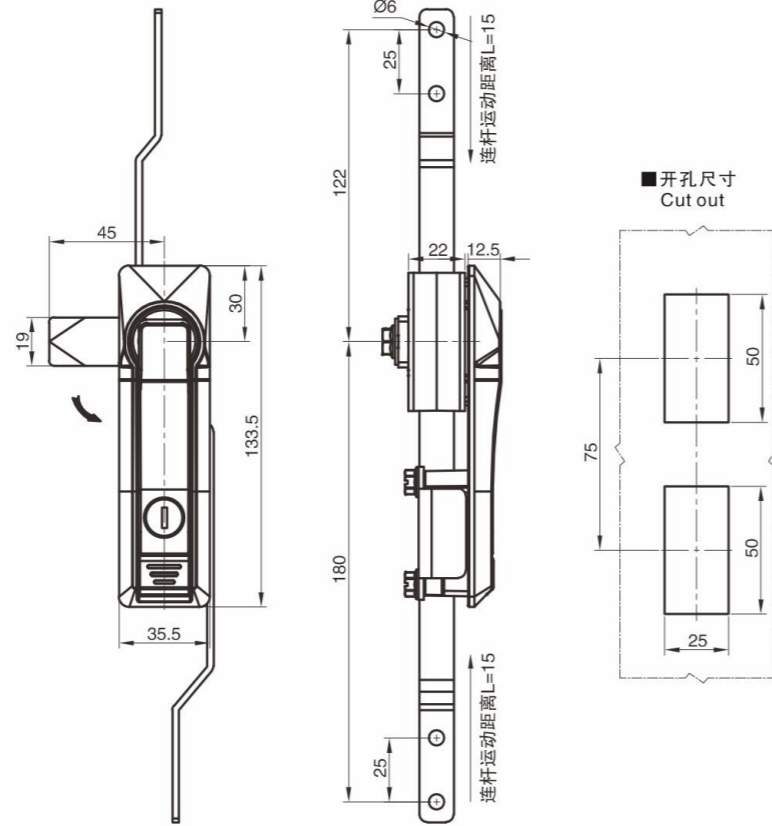


材质：锌合金主体、镀锌齿条  
 表面处理：喷塑、喷亚光、镀锌沙铬  
 打开方式：锁盖上推，钥匙右旋30° 解锁后把手弹起，锁芯自复位  
 适用门板：厚度1~3mm  
 Material: Zinc alloy body, galvanized gear rack  
 Surface treatment: Powder coating, spray painting, sand chrome plated  
 Opening method: Push up the lock cover, turn the key 30 degrees to the right to unlock, and then the handle will pop up. The lock cylinder will reset automatically  
 Applicable door panel: thickness 1~3mm

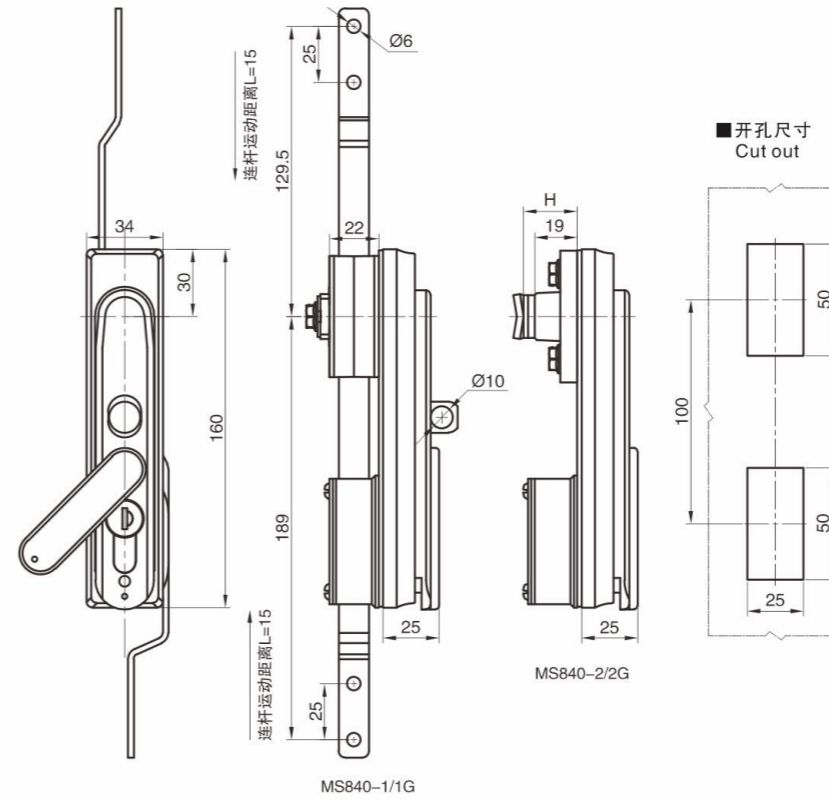


### 连杆锁 Rod Control Lock

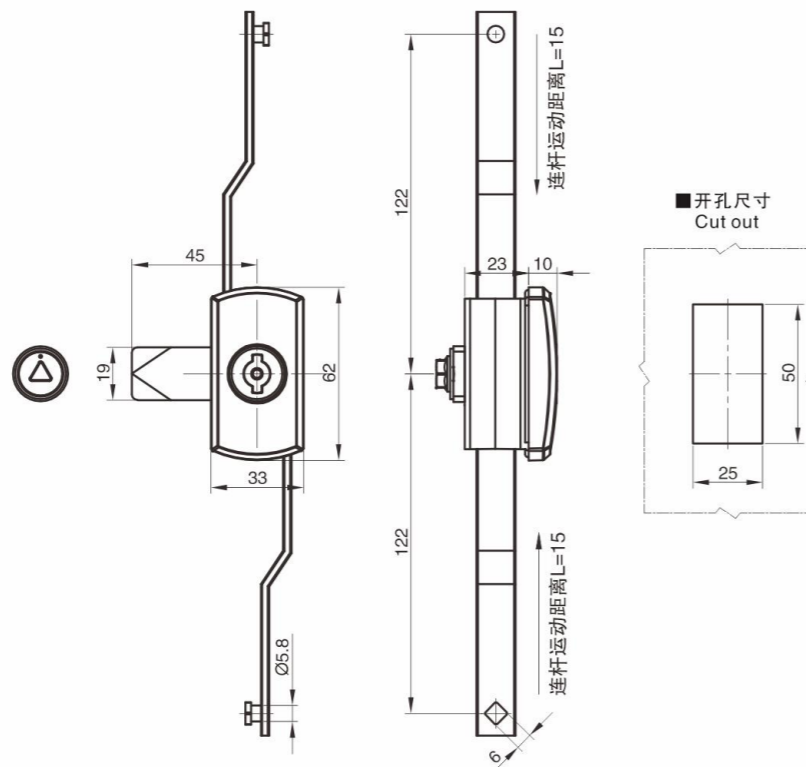
### 连杆锁 Rod Control Lock

**MS831**


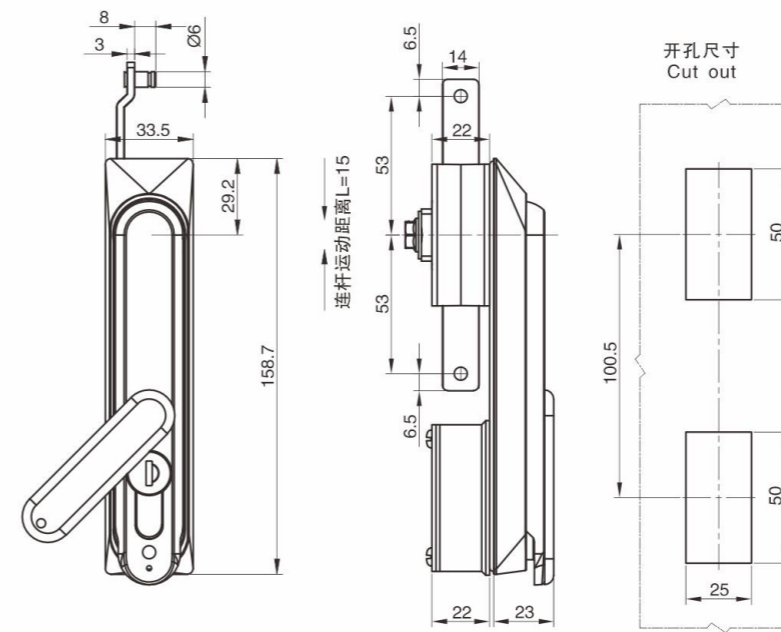
材质: 锌合金主体  
 表面处理: 亚光、无光黑  
 打开方式: 钥匙左旋180° 按压下方后解锁, 把手右旋90° 打开  
 适用门板: 厚度1~4mm  
 Material: Zinc alloy body  
 Surface treatment: matte, matte black  
 Opening method: Turn the key 180° left and press down to unlock, then turn the handle 90° right to open  
 Applicable door panel: thickness 1~4mm


**MS840-1**


材质: 锌合金主体、镀锌锁片  
 表面处理: 砂纹黑  
 打开方式: 拨开盖板, 钥匙右旋45°, 自复位  
 适用门板: 厚度1~4mm  
 Material: Zinc alloy body, galvanized locking plate  
 Surface treatment: Sandprint black  
 Opening method: Open the cover, turn the key 45° to the right, self reset  
 Applicable door panel: thickness 1~4mm

**MS836**


材质: 锌合金主体、镀锌锁片  
 表面处理: 镀沙铬  
 适用门板: 厚度1~3mm  
 Material: Zinc alloy body, galvanized locking plate  
 Surface treatment: sand chromium plating  
 Applicable door panel: thickness 1~3mm


**MS840A**

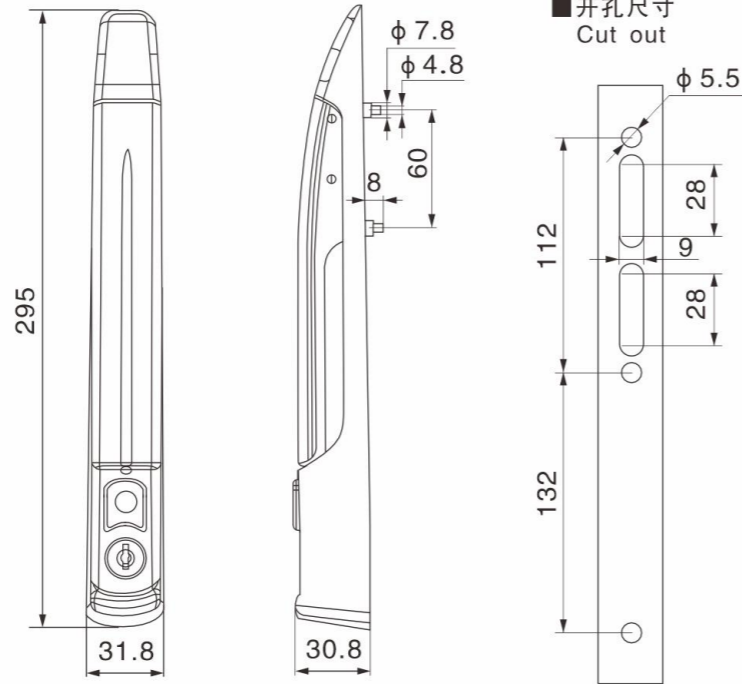

材质: 尼龙主体、镀锌齿条  
 表面处理: 黑  
 打开方式: 拨开盖板, 钥匙右旋45°, 自复位  
 适用门板: 厚度1~4mm  
 Material: Nylon body, galvanized gear rack  
 Surface treatment: Black  
 Opening method: Open the cover, turn the key 45° to the right, self reset  
 Applicable door panel: thickness 1~4mm

MS867

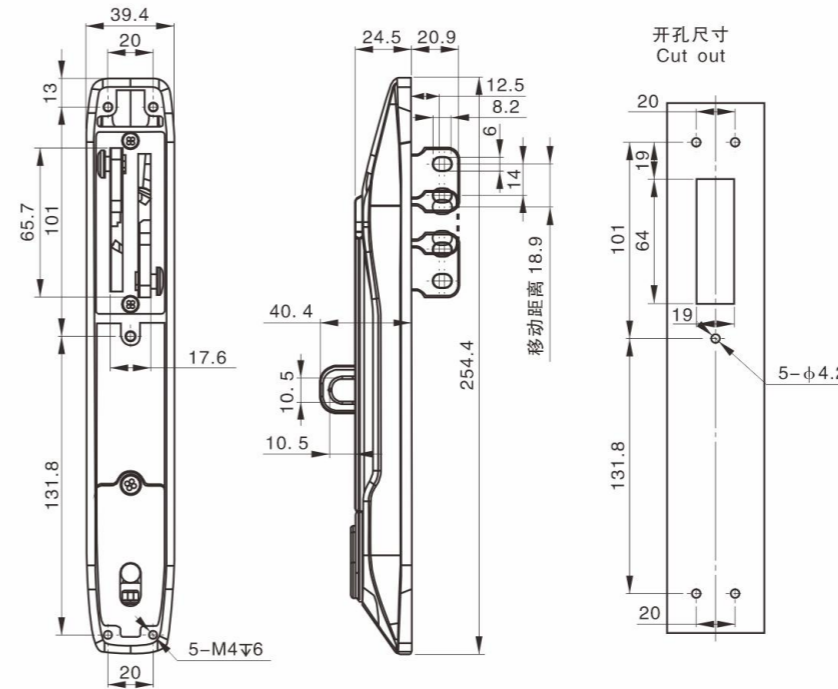
MS867-9-G



MS867-8



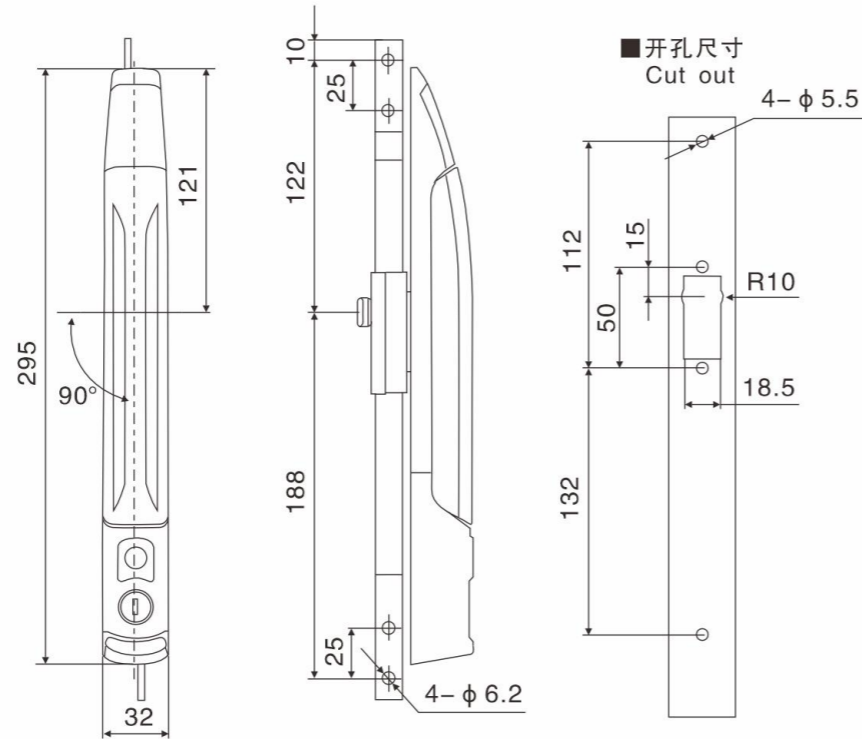
MS867-8灰



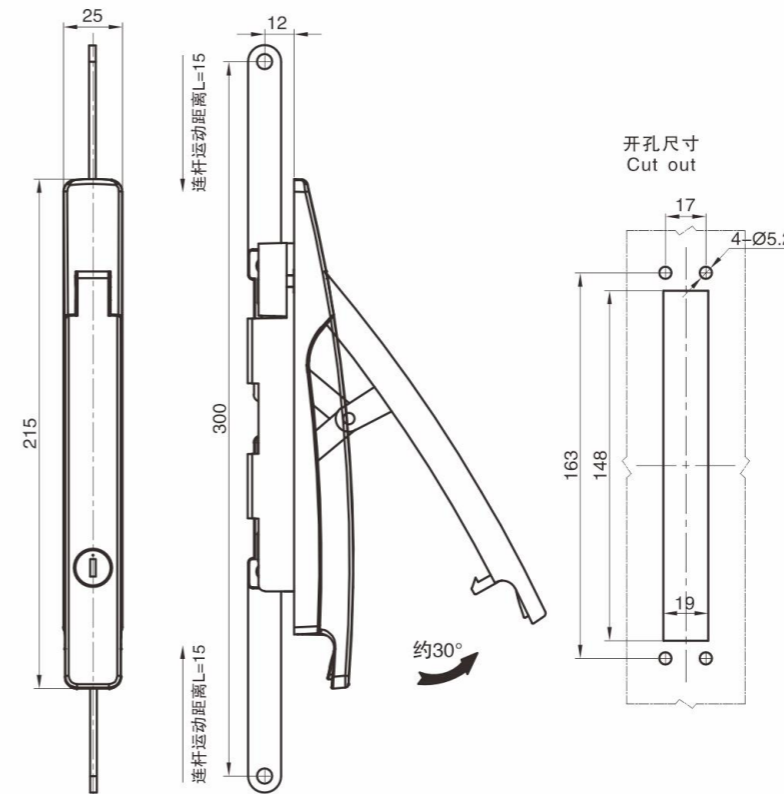
产品材质: 锌合金基座, 手柄  
表面处理: 无光黑  
功能用途: 抗强度、扭力、磨损性强, 适宜于各种开关柜、控制柜、网络机柜、GGD柜、AE箱等一系列工业机箱机柜。  
Product material: zinc alloy base, handle  
Surface treatment: matte black  
Functional use: strong resistance to strength, torque and wear, suitable for a series of industrial chassis cabinets such as various switch cabinets, control cabinets, network cabinets, GGD cabinets, and AE boxes.



MS867-9



MS867-9灰



DL920



材质: 锌合金主体  
表面处理: 无光黑  
打开方式: 钥匙右旋180° 解锁后拔出钥匙, 拉起下方底部按键  
适用门板: 厚度1-4.5mm  
Material: Zinc alloy body  
Surface treatment: Matte black  
Opening method: Turn the key 180 degrees to the right to unlock, then remove the key and pull up the bottom button below  
Applicable door panel: thickness 1-4.5mm

连杆锁

平面锁

执手锁

拉手

转舌锁

铰链系列

搭扣锁

不锈钢系列

密码锁

附件

连杆锁

平面锁

执手锁

拉手

转舌锁

铰链系列

搭扣锁

不锈钢系列

密码锁

附件

## AB102系列

## AB301系列

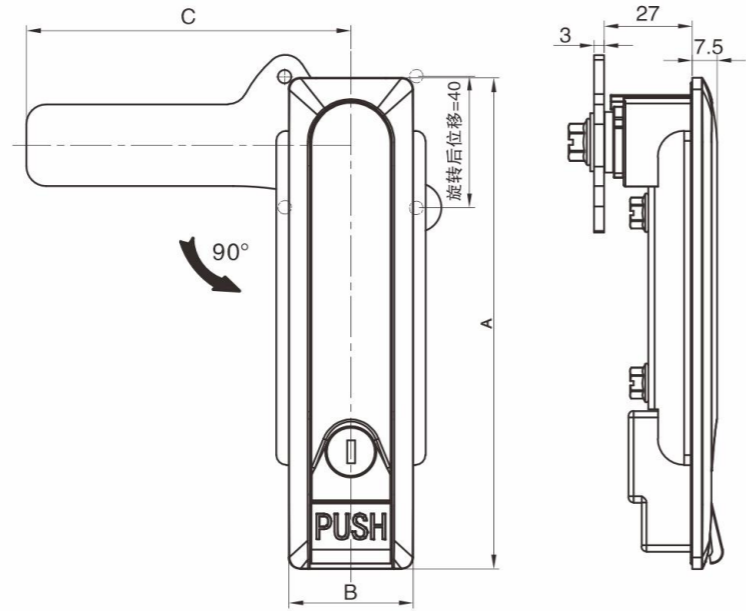
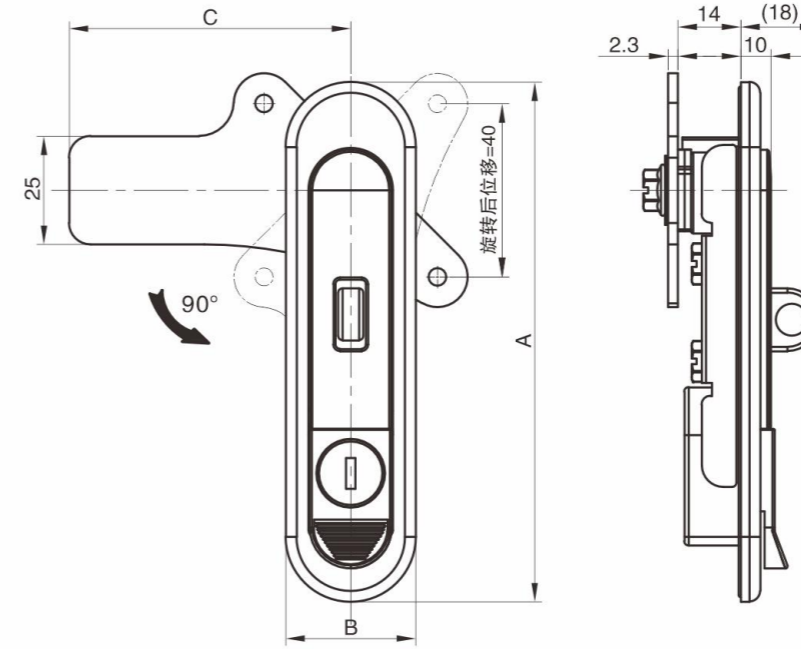
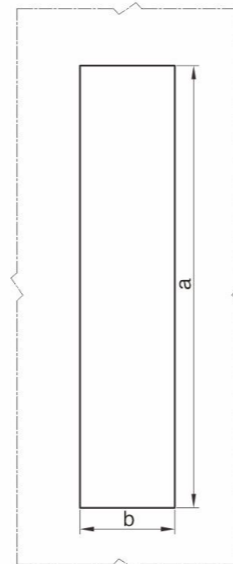
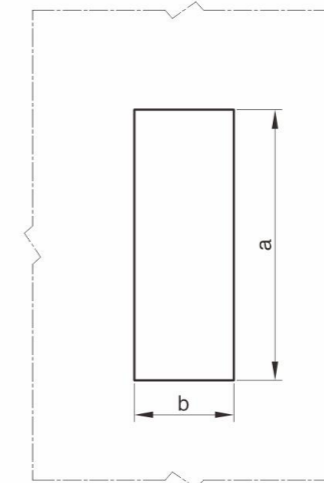
 Rod Control Lock  
 连杆锁  
 Plane Lock  
 平面锁  
 Handle Lock  
 执手锁  
 Handle  
 拉手  
 Cam lock  
 转舌锁  
 Hinge series  
 铰链系列  
 Buckle Lock  
 搭扣锁  
 Stainless steel series  
 不锈钢系列  
 Combination lock  
 密码锁  
 Accessories  
 附件

 Rod Control Lock  
 连杆锁  
 Plane Lock  
 平面锁  
 Handle Lock  
 执手锁  
 Handle  
 拉手  
 Cam lock  
 转舌锁  
 Hinge series  
 铰链系列  
 Buckle Lock  
 搭扣锁  
 Stainless steel series  
 不锈钢系列  
 Combination lock  
 密码锁  
 Accessories  
 附件


AB102-1



AB103-1


 ■开孔尺寸  
 Cut Out

 ■开孔尺寸  
 Cut Out


AB301



AB302-G



AB303

材质：锌合金主体、镀锌锁片  
 表面处理：亚光、沙铬、无光黑  
 打开方式：钥匙左旋90°，按压锁芯，把手弹起后右旋90°（可根据需要调整定位片实现左开门左旋）  
 适用门板：厚度≤4mm  
 Material: Zinc alloy body, galvanized locking plate  
 Surface treatment: matte, sand chrome, matte black  
 Opening method: Turn the key 90° degrees left, press the lock cylinder, and the handle will pop up will pop up, rotate 90° to the right (adjust the positioning piece as needed to achieve left opening and left rotation)  
 Applicable door panel: thickness ≤ 4mm

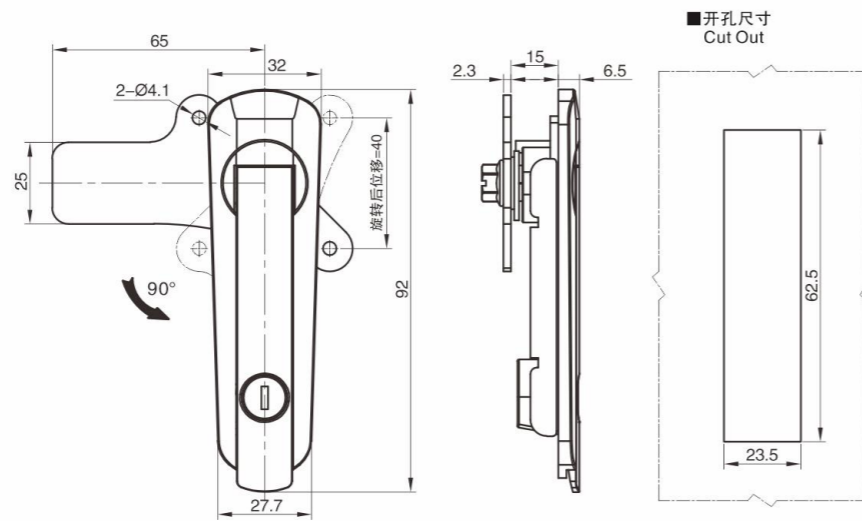
产品型号 Model	基本尺寸 Dimensions				
	b	a	C	B	A
AB102	30	140	100	38	150
AB102-G带挂	30	140	100	38	150
AB103	27	102.5	72	34	110
AB103	27	102.5	100	34	110

材质：锌合金主体、镀锌锁片  
 表面处理：沙铬、亚光、无光黑  
 打开方式：钥匙右旋到位后，下拉下部滑键，把手弹起后右旋90°（可根据需要调整定位片实现左开门左旋）  
 适用门板：厚度≤3mm  
 Material: Zinc alloy body, galvanized locking plate  
 Surface treatment: sand chrome, matte, matte black  
 Opening method: After turning the key to the right, pull down the lower sliding key and after the handle pops up, rotate it 90° to the right (the positioning piece can be adjusted as needed to achieve left opening and left rotation)  
 Applicable door panel: thickness ≤ 3mm

产品型号 Model	基本尺寸 Dimensions				
	b	a	C	B	A
AB301	26.5	116	100	33	146
AB302	23.5	96	65	30	120
AB302-2带挂	23.5	96	65	30	120
AB303	23.5	63	65	28	87.5

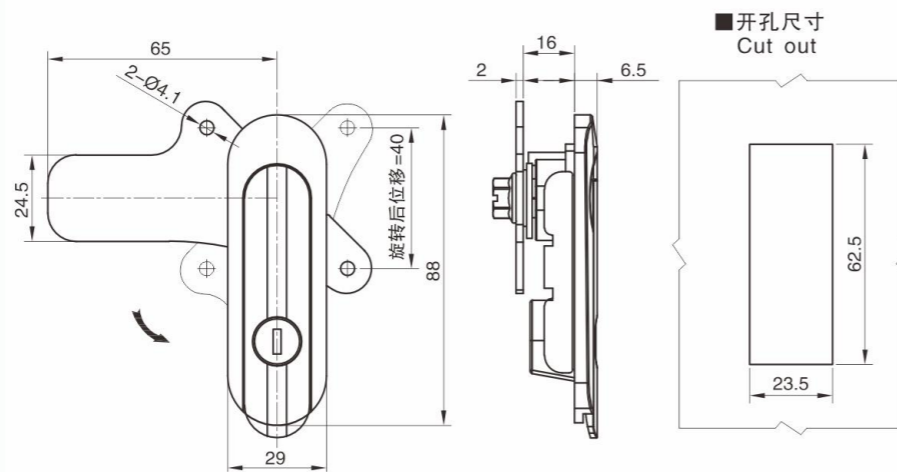
**AB402系列**


AB402 AB403

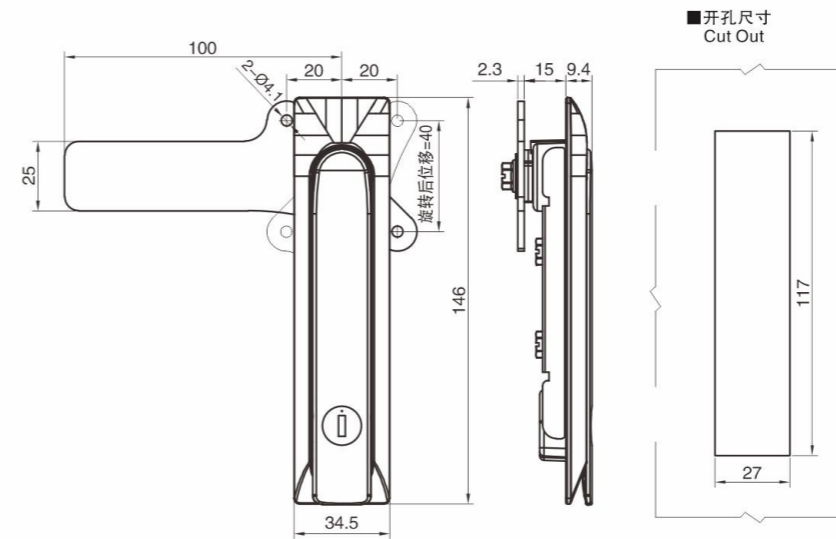


材质: 锌合金主体、镀锌锁片  
 表面处理: 亚光  
 打开方式: 钥匙右旋180°, 拉起把手后右旋90° (可根据需要调整定位片实现左开门左旋)  
 适用门板: 厚度≤4mm  
 Material: Zinc alloy body, galvanized locking plate  
 Surface treatment: matte  
 Opening method: Turn the key 180° to the right, then turn it 90° to the right after pulling up the handle (Adjust the positioning piece as needed to achieve left opening and left rotation of the door)  
 Applicable door panel: thickness ≤ 4mm

产品型号 Model	基本尺寸 Dimensions				
	b	a	C	B	A
AB402	23.5	95.5	28.7	35.5	123
AB403	23.5	62.5	27.7	32	92
AB403-2	23.5	62.5	27.7	32	92

**AB403(铝)**


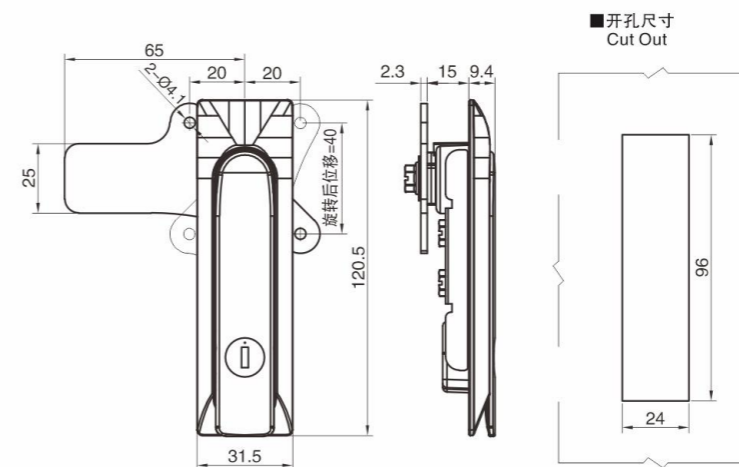
材质: 铝合金主体, 镀锌钢栓  
 表面处理: 纳米亚光  
 Material: Aluminum alloy lock body, galvanized steel bolt  
 Surface treatment: NM spray plating

**MS607-1/-2/-3**


MS607-1



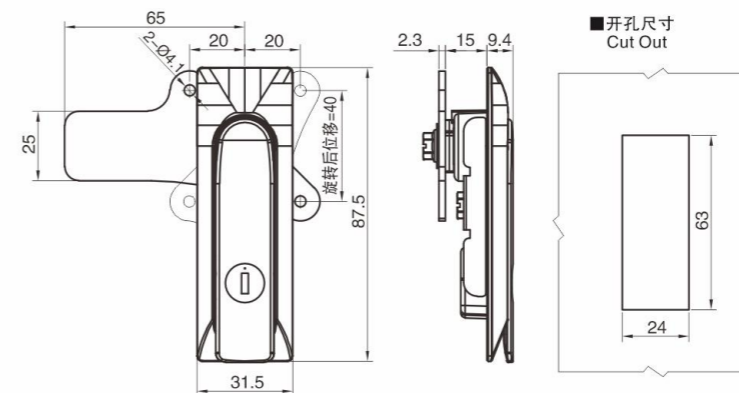
MS607-1



MS607-2



MS607-2



MS607-3



MS607-3

产品材质: 锌合金主体, 镀锌锁片  
 表面处理: 镀沙铬  
 结构说明: 钥匙解锁后拉起把手旋转, 实现开启或闭锁; 更换定位片可实现左右开关门互换  
 Product material: Zinc alloy body, galvanized locking plate  
 Surface treatment: sand chromium plating  
 Structure description: After unlocking with the key, pull up the handle and rotate it to achieve opening or locking; Replacing the positioning piece can achieve the exchange of left and right door opening and closing

 Rod Control Lock  
 连杆锁

 Plane Lock  
 平面锁

 Handle Lock  
 执手锁

 Handle  
 拉手

 Cam lock  
 转舌锁

 Hinge series  
 铰链系列

 Buckle Lock  
 搭扣锁

 Stainless steel series  
 不锈钢系列

 Combination lock  
 密码锁

 Accessories  
 附件

 Rod Control Lock  
 连杆锁

 Plane Lock  
 平面锁

 Handle Lock  
 执手锁

 Handle  
 拉手

 Cam lock  
 转舌锁

 Hinge series  
 铰链系列

 Buckle Lock  
 搭扣锁

 Stainless steel series  
 不锈钢系列

 Combination lock  
 密码锁

 Accessories  
 附件

Rod Control Lock  
 连杆锁  
 Plane Lock  
 平面锁  
 Handle Lock  
 执手锁  
 Handle  
 拉手  
 Cam lock  
 转舌锁  
 Hinge series  
 铰链系列  
 Buckle Lock  
 搭扣锁  
 Stainless steel series  
 不锈钢系列  
 Combination lock  
 密码锁  
 Accessories  
 附件

 Rod Control Lock  
 连杆锁  
 Plane Lock  
 平面锁  
 Handle Lock  
 执手锁  
 Handle  
 拉手  
 Cam lock  
 转舌锁  
 Hinge series  
 铰链系列  
 Buckle Lock  
 搭扣锁  
 Stainless steel series  
 不锈钢系列  
 Combination lock  
 密码锁  
 Accessories  
 附件

**MS618**


MS618-1黑



MS618-1亚光

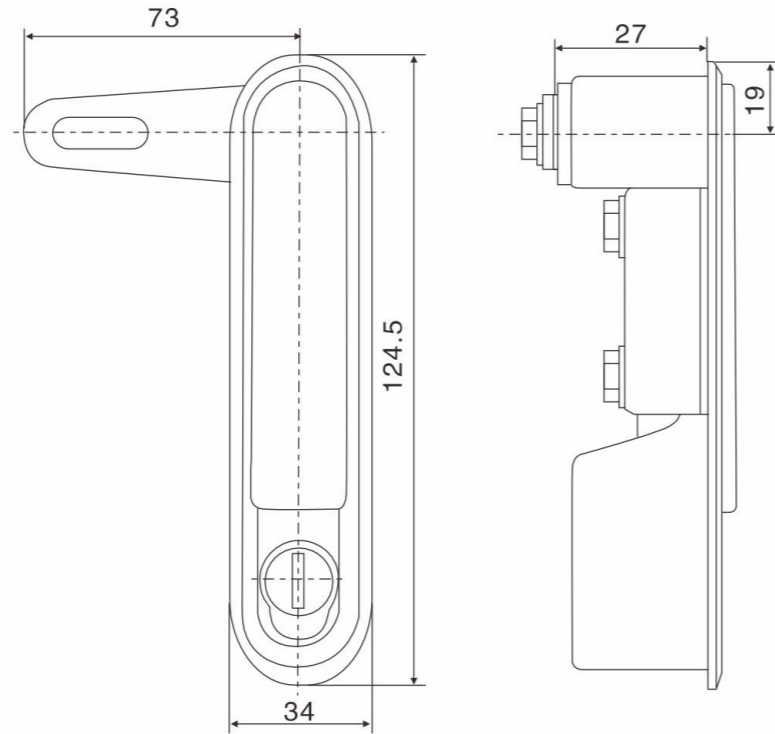
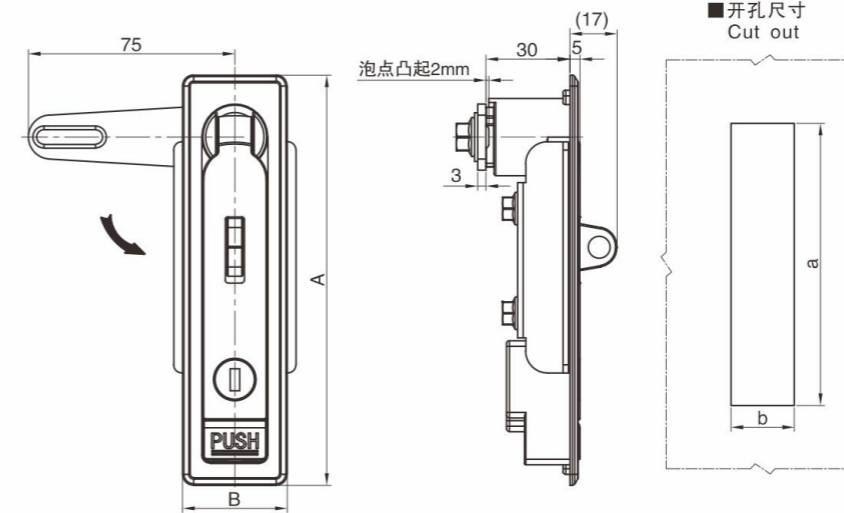
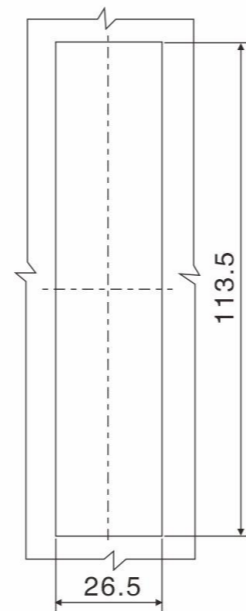


MS618-2黑



MS618-2亚光

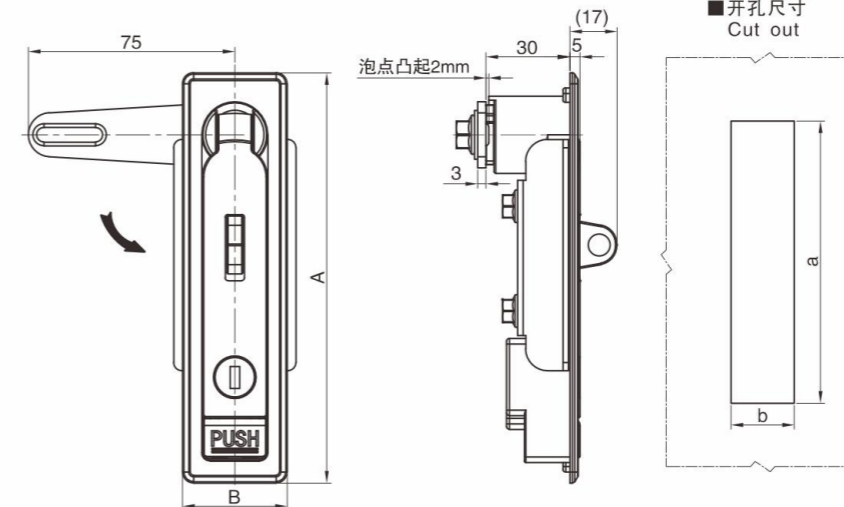
产品材质: 锌/铝合金  
 表面处理: 纳米喷漆 亚黑色 纳米喷漆 亚光色  
 结构说明: 按下按钮弹出把手旋转, 实现开启或锁闭可变动左右开关门, 防水、密封功能, 可配各种锁栓  
 Material: zinc / aluminum alloy  
 Surface treatment: Nano spray, Matte black, Nano spray paint, Matt color  
 Structure Description: Press the button to eject handle rotation, to achieve open or locked Can be changed around the switch, waterproof, sealing function, can be equipped with a variety of locks


 ■开孔尺寸  
 Cut out


产品型号 Model	基本尺寸 Dimensions			
	b	a	B	A
MS712	28.5	140	37.5	148
MS712-G	28.5	140	37.5	148
MS712-2A	27	124.5	34.5	133

**MS712系列**


材质: 锌合金主体、镀锌锁片  
 表面处理: 亚光  
 打开方式: 钥匙左旋180°, 按压锁芯, 把手弹起后右旋90° (可根据需要调整定位片实现左开门左旋)  
 适用门板: 厚度≤4mm  
 Material: Zinc alloy body, galvanized locking plate  
 Surface treatment: matte  
 Opening method: Turn the key 180° to the left, press the lock cylinder, and turn the handle 90° to the right after popping up (the positioning piece can be adjusted as needed to open the door left and left rotation)  
 Applicable door panel: thickness ≤ 4mm



产品型号 Model	基本尺寸 Dimensions			
	b	a	B	A
MS713	26.5	102	33.5	110
MS713-G	26.5	102	33.5	110
MS713-3	26.5	84.5	33.5	93

**MS713系列**


产品材质: 锌/铝合金  
 表面处理: 纳米喷漆 亚光色  
 结构说明: 按下按钮弹出把手旋转, 实现开启或锁闭  
 适用门板厚度: 1-5mm  
 备注: 螺栓开孔□8x8, 可配各种锁栓  
 Material: zinc / aluminum alloy  
 Surface treatment: Nano spray matte color  
 Structure Description: Press the button to eject handle rotation, to achieve open or locked  
 Applicable door thickness: 1-5mm  
 Note: bolt openings □ 8 × 8, can be equipped with a variety of bolts

Rod Control Lock  
连杆锁

Plane Lock  
平面锁

Handle Lock  
执手锁

Handle  
拉手

Cam lock  
转舌锁

Hinge series  
铰链系列

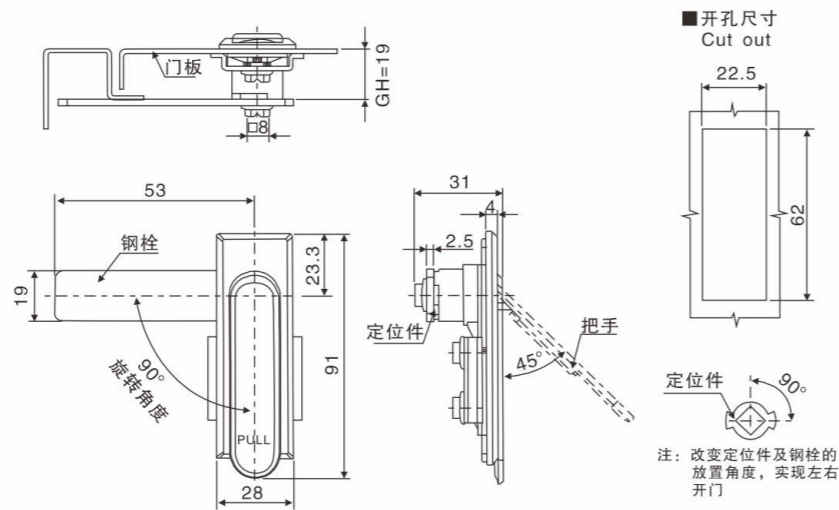
Buckle Lock  
搭扣锁

Stainless steel series  
不锈钢系列

Combination lock  
密码锁

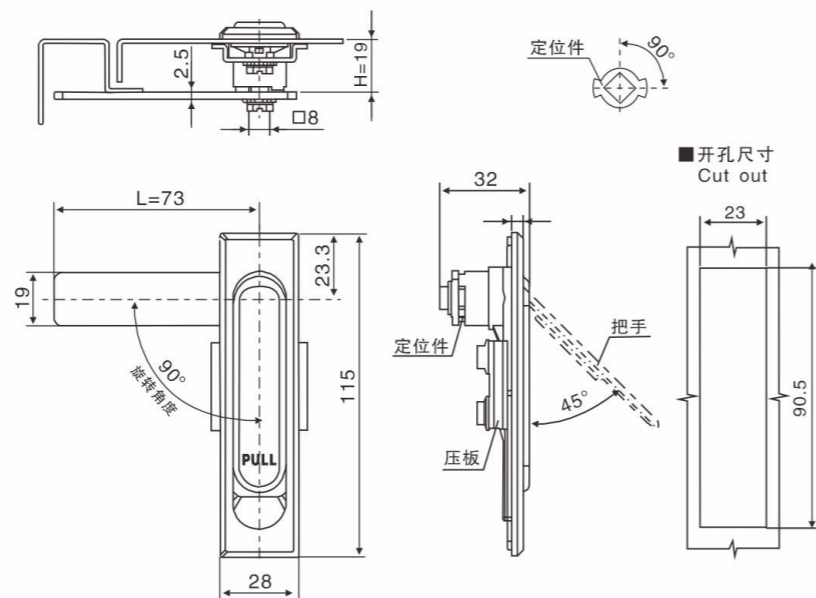
Accessories  
附件

MS717-1



产品材质: 锌/铝合金  
表面处理: 表面镀铬 亮光色 纳米喷漆 亚光色 纳米喷塑 亚黑色  
结构说明: 提起把手旋转, 实现开启或锁闭  
Material: zinc / aluminum alloy  
Surface treatment: Chrome plating, Bright color, Nano spray paint, Matt color, Nano spray, Matte black  
Structure Description: Lift the handle rotation to achieve open or locked

MS717-2



产品材质: 锌合金基座、手柄、碳钢压板、钢栓  
表面处理: 喷塑(黑漆)基座、手柄、镀白锌压板、钢栓  
结构说明: 快速开启, 安装方便快捷, 通过钢栓打弯适用于不同的止口高度  
Product material: Zinc alloy base, handle, carbon steel pressure plate, steel bolt  
Surface treatment: spray painted (black paint) base, handle, white zinc plated pressure plate, steel bolt  
Structure description: Quick opening, easy and fast installation, suitable for different step height by bending with steel bolts

Rod Control Lock  
连杆锁

Plane Lock  
平面锁

Handle Lock  
执手锁

Handle  
拉手

Cam lock  
转舌锁

Hinge series  
铰链系列

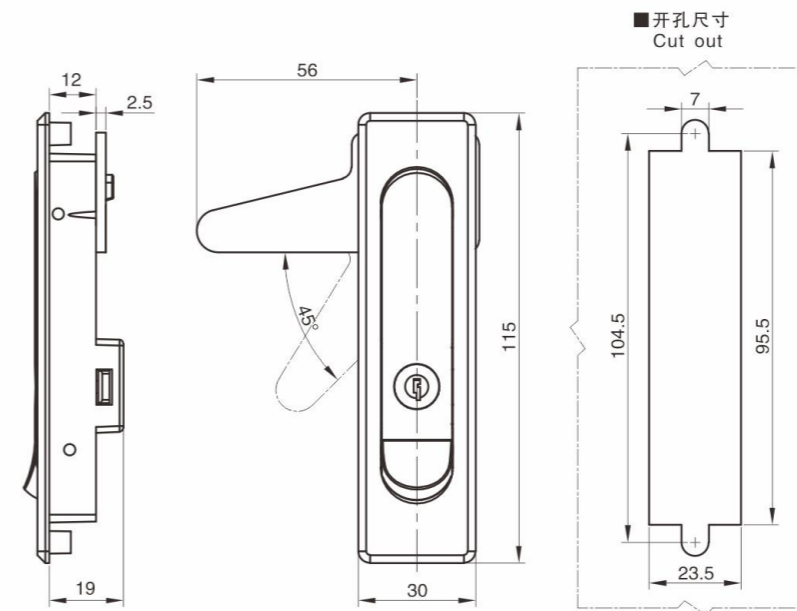
Buckle Lock  
搭扣锁

Stainless steel series  
不锈钢系列

Combination lock  
密码锁

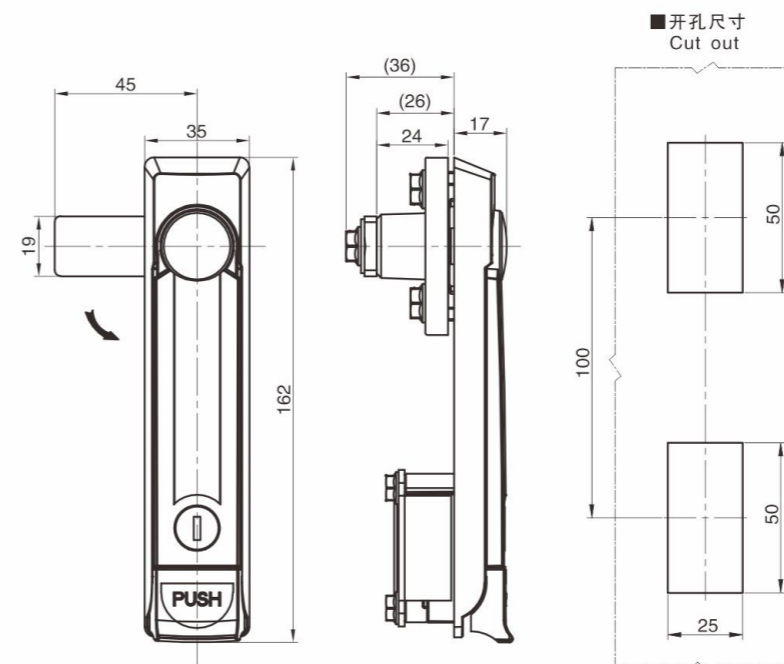
Accessories  
附件

MS730系列



材质: 锌合金  
表面处理: 喷亚光、镀亚光、喷无光黑  
打开方式: 钥匙右旋180° 按压下方把手弹起  
适用门板: 厚度≤2mm  
Material: Zinc alloy  
Surface treatment: Matte painting, matte plating, matte black powder coating  
Opening method: Turn the key 180° to the right and press down to release the handle  
Applicable door panel: thickness ≤ 2mm

MS743



材质: 锌合金主体、镀锌锁片  
表面处理: 砂纹黑  
打开方式: 钥匙左旋180° 解锁后拔出钥匙, 按下方PUSH键  
适用门板: 厚度1-4mm  
特殊定制: 可定制不互开款(1000组不互开)  
Material: Zinc alloy body, galvanized locking plate  
Surface treatment: Sandprint black  
Opening method: Turn the key 180° left to unlock, then remove the key and press the PUSH button below  
Applicable door panel: thickness 1-4mm  
Special customization: Customizable without mutual opening (1000 sets without mutual opening)

MS751系列

Rod Control Lock  
连杆锁  
Plane Lock  
平面锁  
Handle Lock  
执手锁  
Handle  
拉手  
Cam lock  
转舌锁  
Hinge series  
铰链系列  
Buckle Lock  
搭扣锁  
Stainless steel series  
不锈钢系列  
Combination lock  
密码锁  
Accessories  
附件



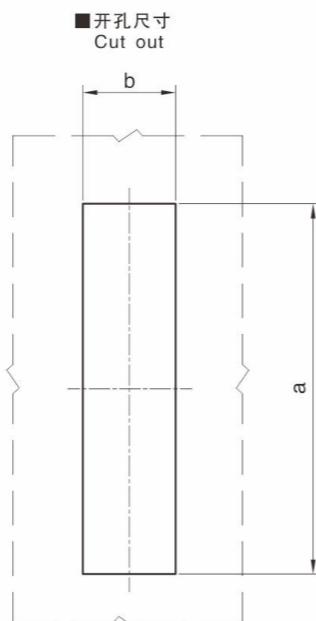
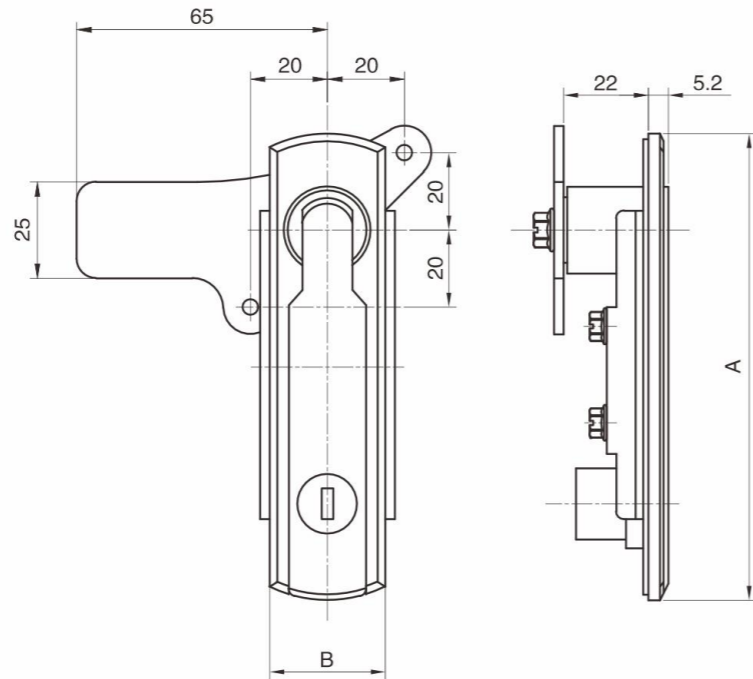
MS751-1



MS751-2

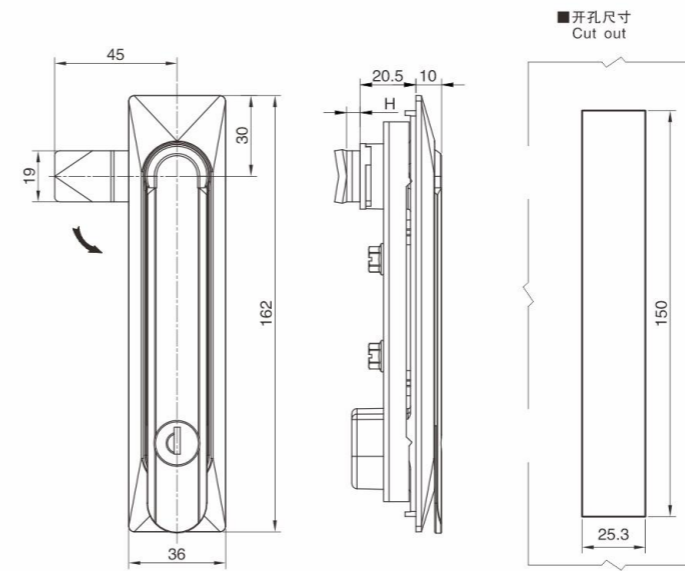


MS751-3

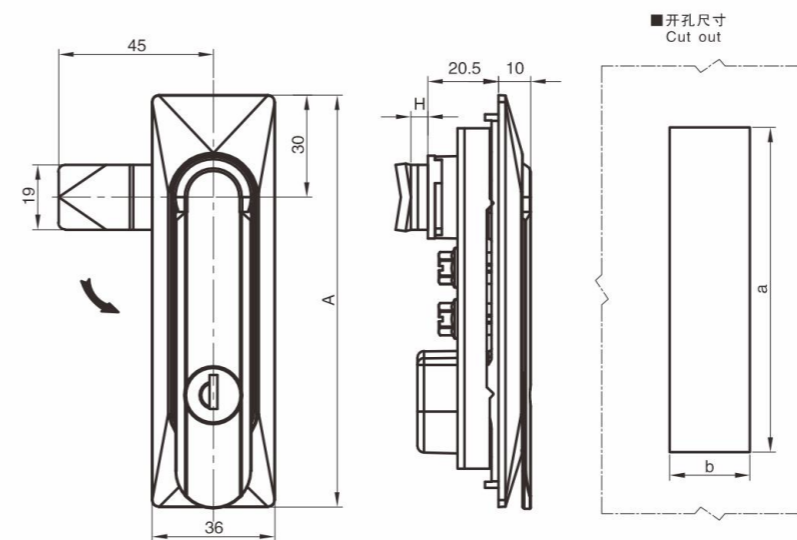


材质：锌合金主体、镀锌锁片  
表面处理：无光黑、亚光  
打开方式：钥匙旋90°，拉起把手后旋90°实现开闭。  
适用门板：厚度≤6mm  
Material: Zinc alloy body, galvanized locking plate  
Surface treatment: Matte black, Matt color  
Opening method: Turn the key 90°, pull up the handle and turn it 90° to open and locked.  
Applicable door panel: thickness ≤ 6mm

产品型号 Model	基本尺寸 Dimensions			
	A	B	a	b
MS751-1	147	33	117	27
MS751-2	121	30	96	24
MS751-3	88	28.5	63	24



产品型号 Model	基本尺寸 Dimensions			材质 Material	备注 Remark
	b	a	A		
MS861-2	25.3	150	162	全锌All Zinc	带开 With lock cylinder
				塑壳锌背Plastic shell with zinc backplate	
MS861-2-2	25.3	150	162	全锌All Zinc	无开 Without lock cylinder
				塑壳锌背Plastic shell with zinc backplate	



产品型号 Model	基本尺寸 Dimensions			材质 Material	备注 Remark
	b	a	A		
MS861-4	25.3	150	162	全锌All Zinc	带开 With lock cylinder
				全尼龙All nylon	
MS861-4-2	25.3	150	162	全锌All Zinc	无开 Without lock cylinder
				全尼龙All nylon	
				塑壳锌背Plastic shell with zinc backplate	

MS861-2



材质：塑料PA主体或锌合金主体、镀锌锁片  
表面处理：沙纹黑  
打开方式：钥匙左旋180°，拉起把手后右旋90°（可根据需要调整定位片实现左开门左旋）  
适用门板：厚度≤4mm  
Material: Plastic PA body or zinc alloy body, galvanized locking plate  
Surface treatment: Sandprint black  
Opening method: Turn the key 180° to the left, then turn it 90° to the right after pulling up the handle (can be adjusted the positioning piece as needed to achieve left opening and left rotation of the door)  
Applicable door panel: thickness ≤ 4mm

MS861-4



材质：塑料PA主体或锌合金主体、镀锌锁片  
表面处理：沙纹黑  
打开方式：钥匙左旋180°，拉起把手后右旋90°（可根据需要调整定位片实现左开门左旋）  
适用门板：厚度≤4mm  
Material: Plastic PA body or zinc alloy body, galvanized locking plate  
Surface treatment: Sandprint black  
Opening method: Turn the key 180° to the left, then turn it 90° to the right after pulling up the handle (can be adjusted the positioning piece as needed to achieve left opening and left rotation of the door)  
Applicable door panel: thickness ≤ 4mm



Rod Control Lock  
连杆锁

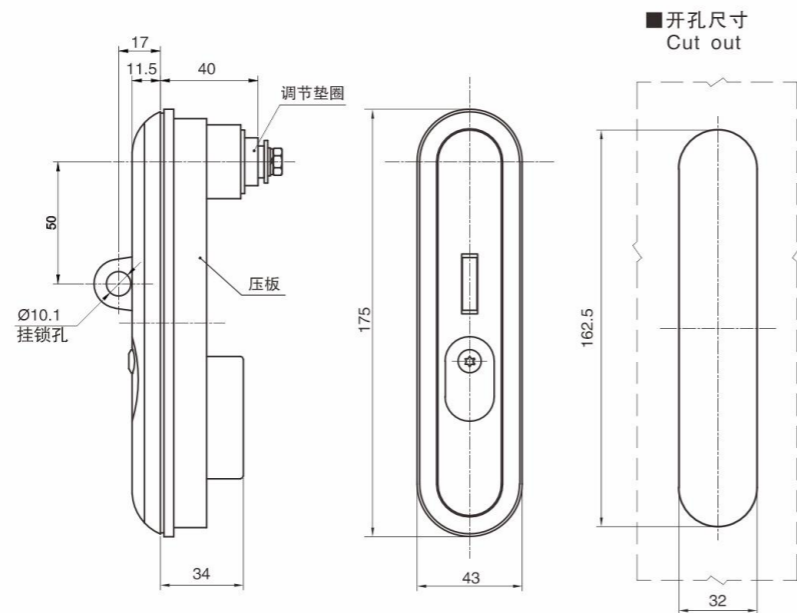
Plane Lock  
平面锁

Handle Lock  
执手锁

Handle  
拉手

Cam lock  
转舌锁

MS864G



材质: 锌合金主体或铝合金主体, 镀锌锁片  
表面处理: 黑  
门板厚度: ≤8mm  
Material: Zinc alloy body or aluminum alloy body, galvanized locking plate  
Surface treatment: Black  
Door panel thickness: ≤ 8mm

Rod Control Lock  
连杆锁

Plane Lock  
平面锁

Handle Lock  
执手锁

Handle  
拉手

Cam lock  
转舌锁

MS106系列

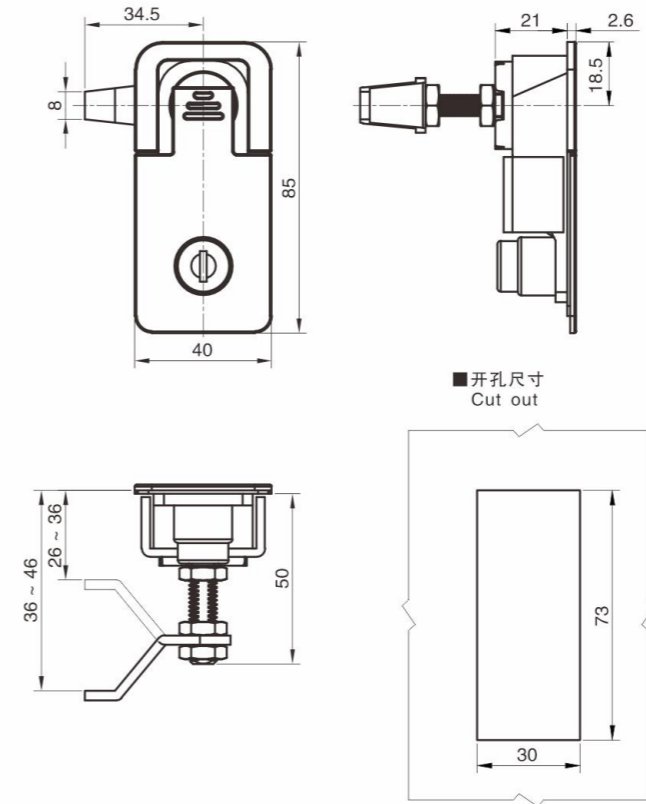


MS106-1



MS106-2

材质: 锌合金主体、镀锌锁片  
表面处理: 无光黑、铬  
打开方式: 钥匙左旋90°, 拉起把手后360° 旋转  
适用门板: 厚度1~3.5MM  
Material: Zinc alloy body, galvanized locking plate  
Surface treatment: Matte black, chrome  
Opening method: Turn the key 90 degrees to the left, then pull up the handle and rotate 360 degrees  
Applicable door panel: thickness 1~3.5mm



Hinge series  
铰链系列

Buckle Lock  
搭扣锁

Stainless steel series  
不锈钢系列

Combination lock  
密码锁

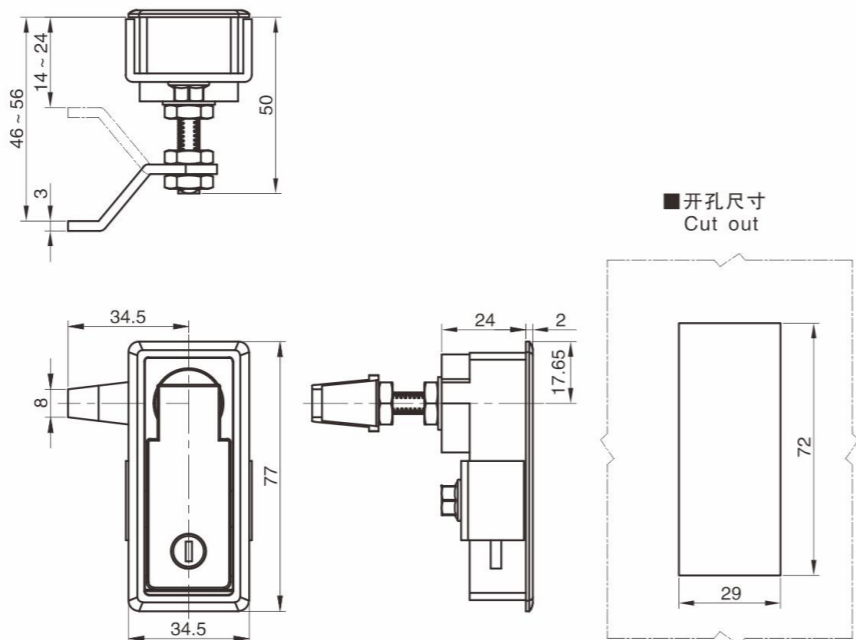
Accessories  
附件

MS3430系列



MS3430

MS3431



材质: 锌合金主体、镀锌锁片  
表面处理: 无光黑、铬  
打开方式: 钥匙左旋180°, 拉起把手后左旋90° (可根据需要调整定位片实现右开门右旋)  
适用门板: 厚度1~3.5mm  
Material: Zinc alloy body, galvanized locking plate  
Surface treatment: Matte black, chrome  
Opening method: Turn the key 180° to the left, then turn it 90° to the left after pulling up the handle (the positioning piece can be adjusted as needed to achieve right-hand opening and right-hand rotation)  
Applicable door panel: thickness 1~3.5mm

Hinge series  
铰链系列

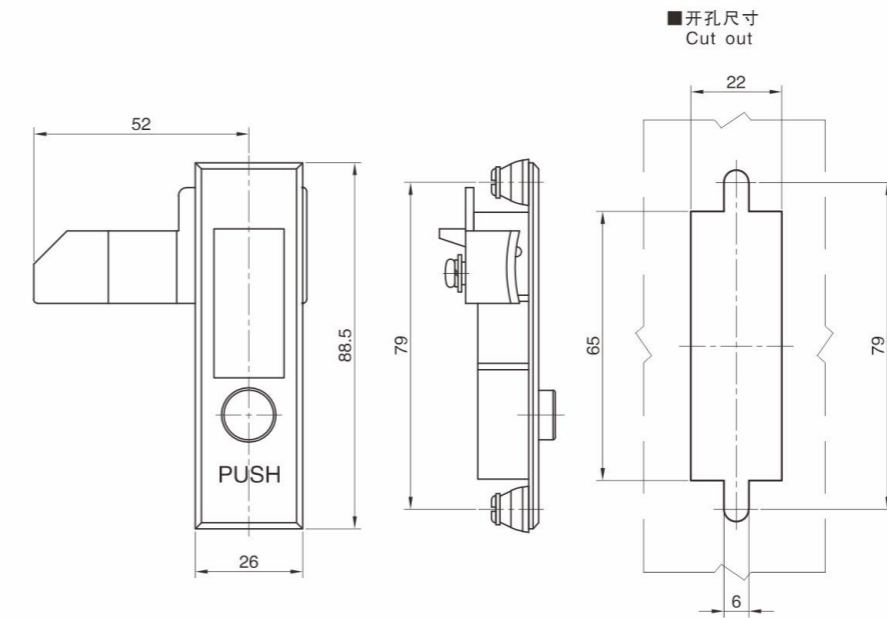
Buckle Lock  
搭扣锁

Stainless steel series  
不锈钢系列

Combination lock  
密码锁

Accessories  
附件

MS503R/L

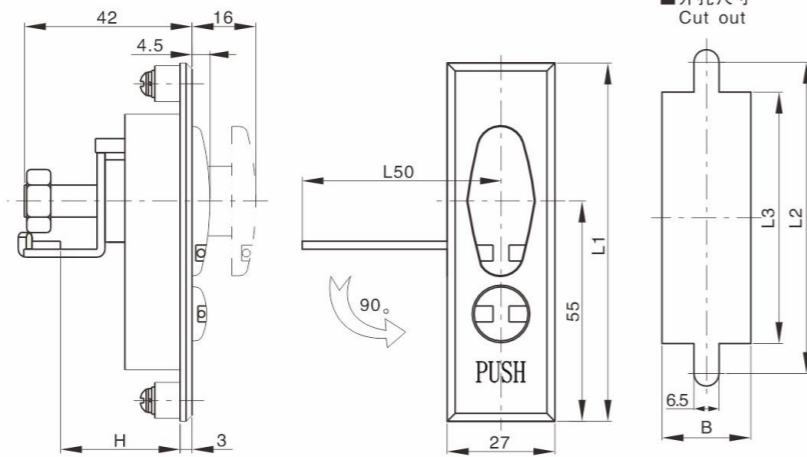


材质: 锌合金主体  
表面处理: 亮铬  
适用门板: 厚度≤5mm  
Material: Zinc alloy body  
Surface treatment: Bright chrome  
Applicable door panel: thickness ≤ 5mm

RodControlLock  
连杆锁  
Plane Lock  
平面锁  
Handle Lock  
执手锁  
Handle  
拉手  
Cam lock  
转舌锁  
Hinge series  
铰链系列  
Buckle Lock  
搭扣锁  
Stainless steel series  
不锈钢系列  
Combination lock  
密码锁  
Accessories  
附件

RodControlLock  
连杆锁  
Plane Lock  
平面锁  
Handle Lock  
执手锁  
Handle  
拉手  
Cam lock  
转舌锁  
Hinge series  
铰链系列  
Buckle Lock  
搭扣锁  
Stainless steel series  
不锈钢系列  
Combination lock  
密码锁  
Accessories  
附件

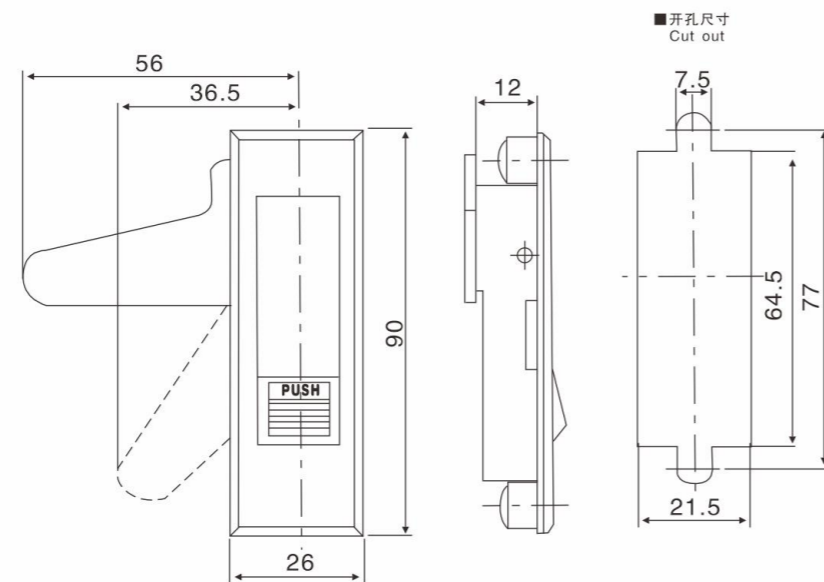
MS505



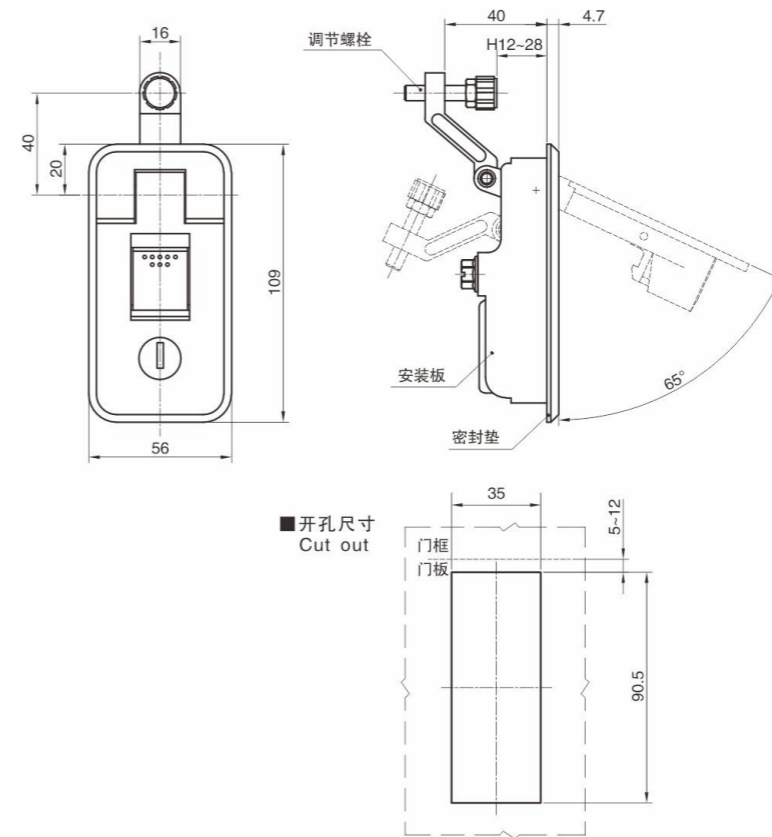
产品型号 Model	基本尺寸 Dimensions				
镀亮铬 Bright chrome plating	L1	L2	L3	B	H
MS505-1	92	81	66	22	25~41可调 Adjustable
MS505-2	90	80.5	65	23	20~36可调 Adjustable

材质: 锌合金锁体, 镀锌压板, 锁片  
表面处理: 镀亮铬  
适用门板厚度: 1~5mm  
备注: 锁片有左右之分  
Material: Zinc alloy lock body, galvanized press plate, lock plate  
Finish: Bright chrome plating  
Panel thickness: 1~5mm  
Remark: Locking plates are available in left and right versions.

MS509



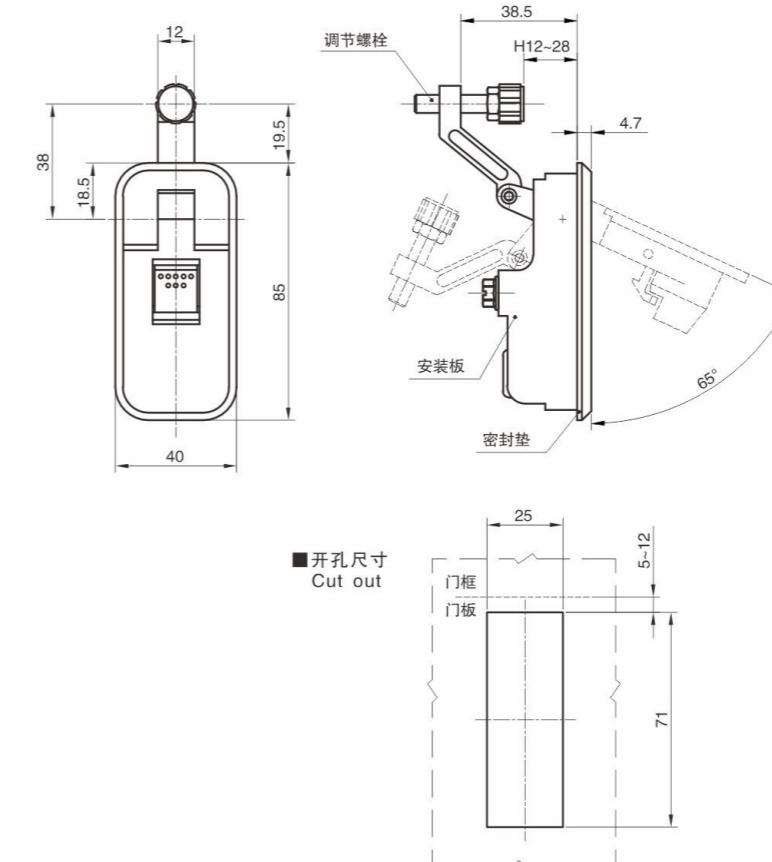
产品材质: 锌合金  
表面处理: 表面镀铬 亮光色  
结构说明: 按下按钮弹出把手旋转, 实现开启或锁闭  
适用门板厚度: 1~4mm  
备注: 钢柱有左右之分  
Material: zinc alloy  
Surface treatment: surface chrome bright color  
Structure Description: Press the button to eject handle rotation, to achieve open or locked  
Applicable door thickness: 1~4mm  
Note: The steel bolts are available in left and right versions.



MS6018



主要材质: 锌合金主体, 镀锌锁片  
表面处理: 亮铬、黑  
适用门板: 1~6mm  
结构功能: 调节螺母可适用各种止口范围  
Main material: Zinc alloy body, galvanized locking plate  
Surface treatment: bright chrome, black  
Applicable door panel: 1~6mm  
Structural function: The adjustable nut can be used for various step height ranges



MS6019

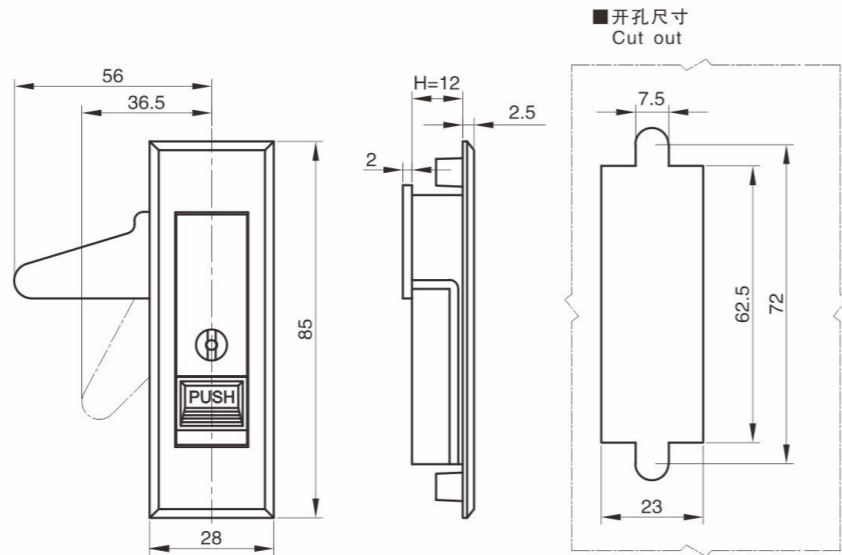


主要材质: 锌合金主体, 镀锌锁片  
表面处理: 亮铬、黑  
适用门板: 1~6mm  
结构功能: 调节螺母可适用各种止口范围  
Main material: Zinc alloy body, galvanized locking plate  
Surface treatment: bright chrome, black  
Applicable door panel: 1~6mm  
Structural function: The adjustable nut can be used for various step height ranges

Rod Control Lock  
平面锁  
Handle Lock  
把手  
Cam lock  
转舌锁  
Hinge series  
铰链系列  
Buckle Lock  
搭扣锁  
Stainless steel series  
不锈钢系列  
Combination lock  
密码锁  
Accessories  
附件

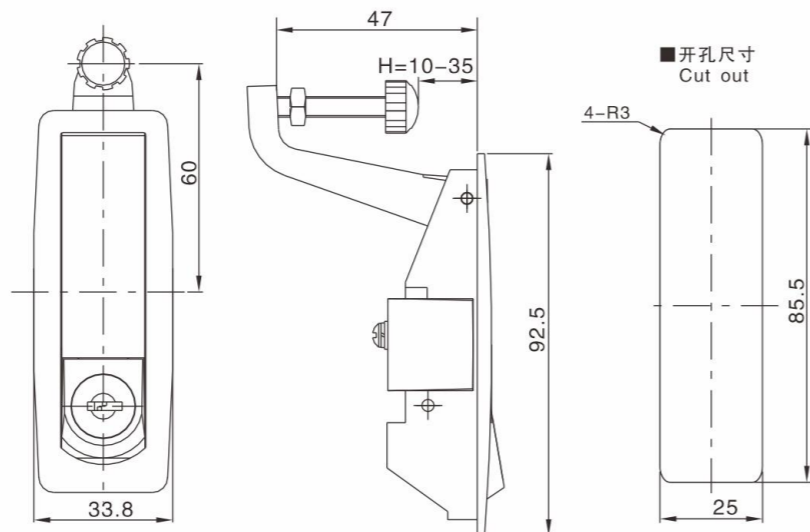
Rod Control Lock  
连杆锁  
平面锁  
Handle Lock  
执手锁  
把手  
Cam lock  
转舌锁  
Hinge series  
铰链系列  
Buckle Lock  
搭扣锁  
Stainless steel series  
不锈钢系列  
Combination lock  
密码锁  
Accessories  
附件

MS603

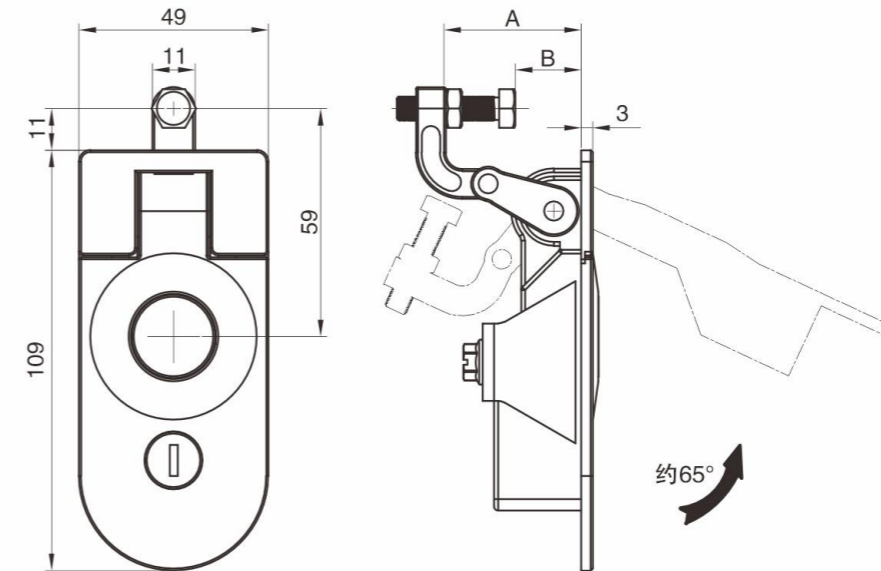


材质: 锌合金主体、镀锌锁片  
表面处理: 喷砂亮铬  
适用门板: 厚度1-3mm  
Material: Zinc alloy body, galvanized locking plate  
Surface treatment: Sandblasting bright chrome  
Applicable door panel: thickness 1-3mm

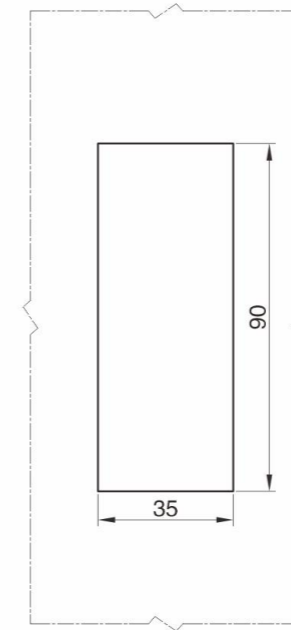
MS606



产品材质: 锌/铝合金  
表面处理: 纳米喷塑 亚黑色 表面镀铬 亮光色  
结构说明: 按下按钮弹出把手旋转, 实现开启或锁闭  
适用门板厚度: 1-5mm  
Material: zinc / aluminum alloy  
Surface treatment: Nano spray, Matte black, Chrome plating, Bright color  
Structure Description: Press the button to eject handle rotation, to achieve open or locked  
Applicable door thickness: 1-5mm



开孔尺寸  
Cut out



产品型号 Model	基本尺寸 Dimensions	
	A	B
MS609-1	21	0-15
MS609-2	35	15-30
MS609-3	52	30-45
MS609-4	67	45-60

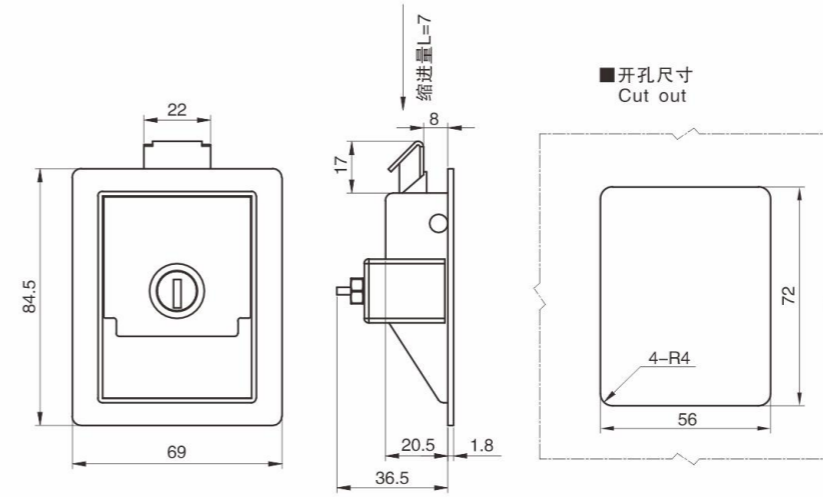
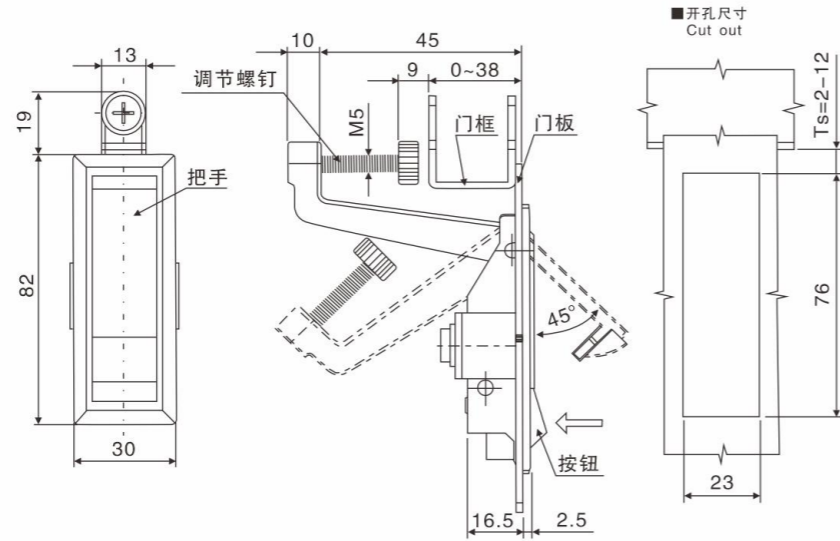
MS609



材质: 锌合金主体  
表面处理: 无光黑、铬  
打开方式: 钥匙左旋90°或180°后按压中心按钮  
适用门板: 厚度1-5mm  
Material: Zinc alloy body  
Surface treatment: Matte black, chrome  
Opening method: Turn the key 90° or 180° left and press the center button  
Applicable door panel: thickness 1-5mm

MS708

MS866

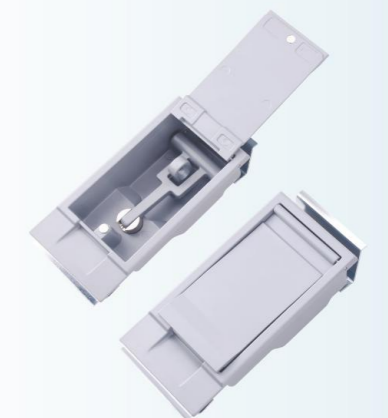
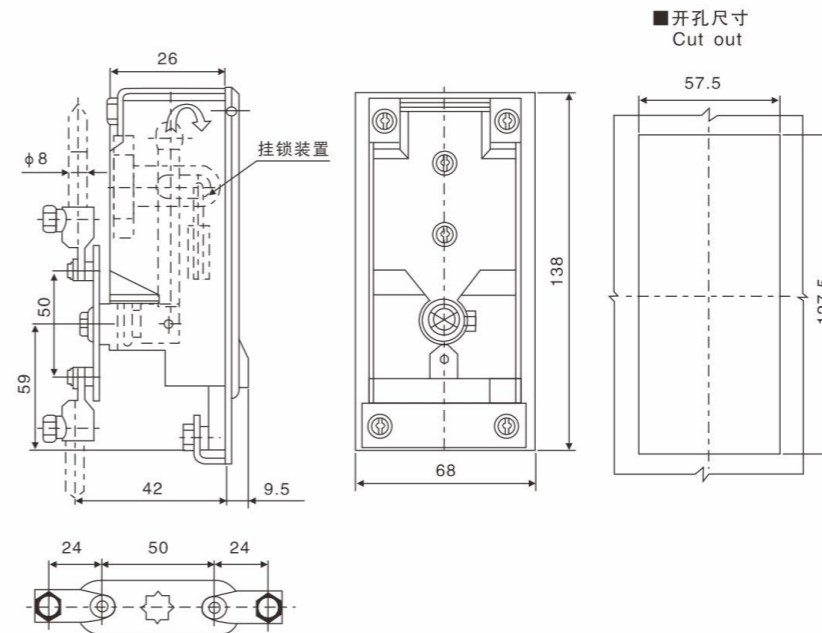
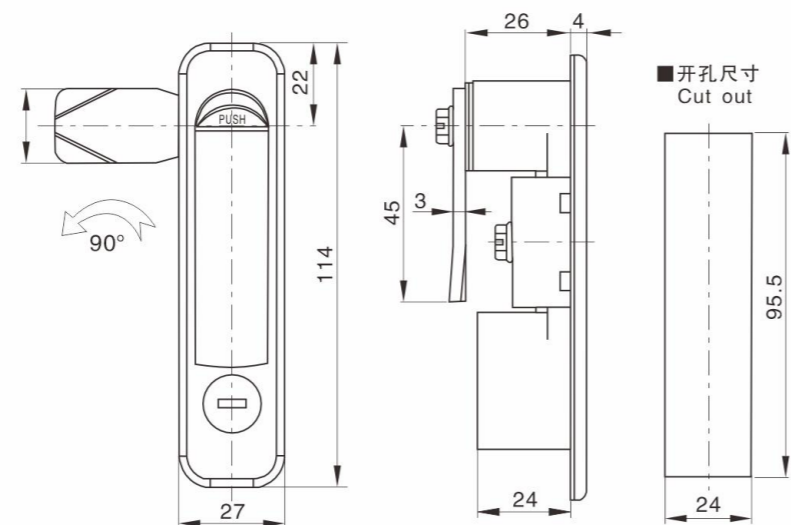


产品材质: 锌/铝合金  
表面处理: 表面镀铬 磨砂  
结构说明: 按下按钮弹出把手旋转, 实现开启或锁闭  
Material: zinc / aluminum alloy  
Surface treatment: the surface chrome matte  
Structure Description: Press the button to eject handle rotation, to achieve open or locked

材质: 碳钢主体、锌合金锁芯  
表面处理: 无光黑  
打开方式: 钥匙右旋90°后拉起把手  
适用门板: 厚度≤4mm  
Material: Carbon steel body, zinc alloy lock core  
Surface treatment: Matte black  
Opening method: Turn the key 90 degrees to the right and then pull up the handle  
Applicable door panel: thickness ≤ 4mm

MS737

MS887



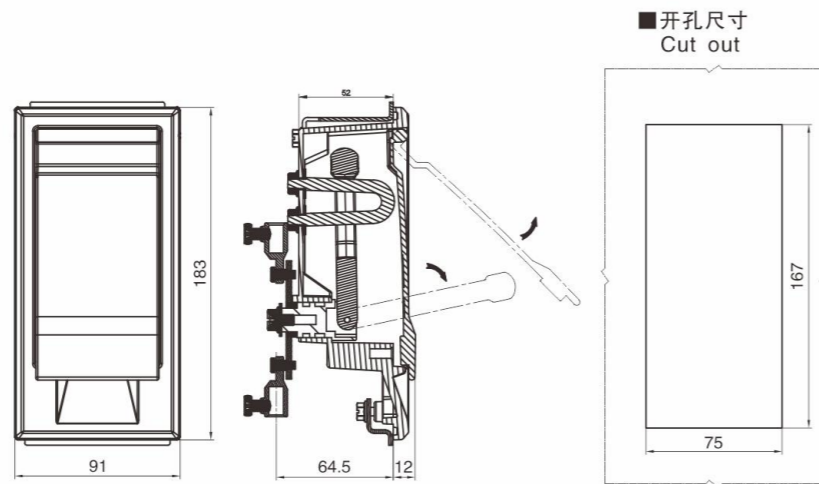
材质: 锌合金锁体, 镀锌钢钢柱  
表面处理: 纳米亚光  
Material: Zinc alloy lock body, galvanized steel bolt  
Surface treatment: NM spray plating

产品材质: 锌/铝合金  
表面处理: 纳米喷塑 灰色 黑色  
结构说明: 提起盖子, 旋转把手, 实现开启或锁闭  
适用门板厚度: 1-4.5mm  
备注: 选配三点钢栓, 带挂锁装置, 钢栓开孔□10x10  
Material: zinc / aluminum alloy  
Surface treatment: Nano spray gray black  
Structure Description: Lift the lid, turn the handle to achieve open or locked  
Applicable door thickness: 1-4.5mm  
Note: Optional three-point bolt, with padlock device, bolt hole □ 10x10

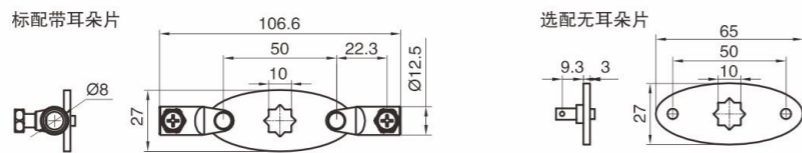
注: 调换定位件及钢栓的放置角度, 实现左右开门;

连杆锁  
平面锁  
执手锁  
拉手  
转舌锁  
铰链系列  
搭扣锁  
不锈钢系列  
密码锁  
附件

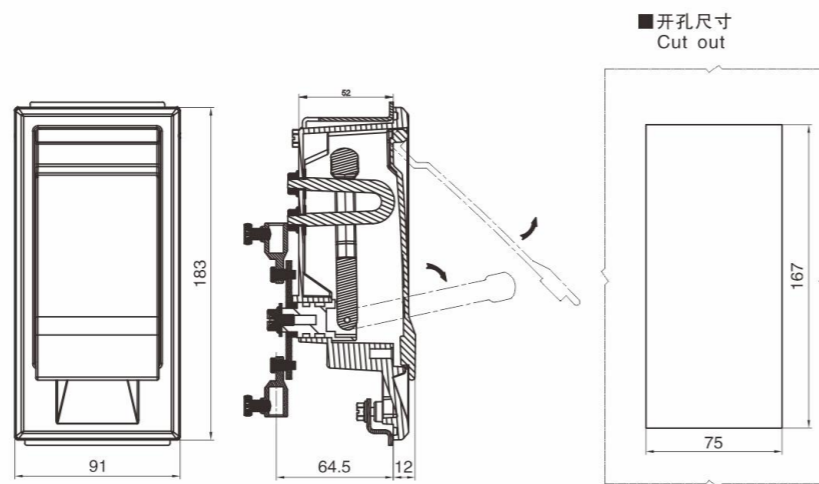
MS888系列



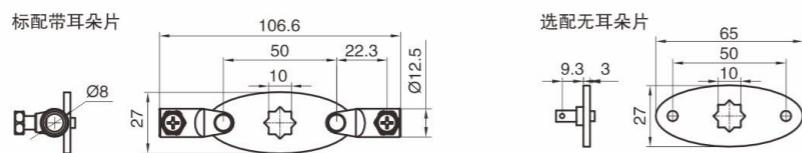
材质: 铝合金主体、镀锌附件  
表面处理: 灰  
打开方式: 盖子上翻后, 拉下手柄后转动  
手柄承载: 扭矩力 $\leq 25\text{N}\cdot\text{m}$   
使用门板: 厚度1-4mm  
附件选配: 默认带耳朵片, 选配无耳朵片  
Material: Aluminum alloy body, galvanized accessories  
Surface treatment: Grey  
Opening method: After flipping up the lid, pull down the handle and turn it  
Handle bearing capacity: torque force  $\leq 25\text{N}\cdot\text{m}$   
Use door panel: thickness 1-4mm  
Accessory options: Standard with tabs, optional without tabs



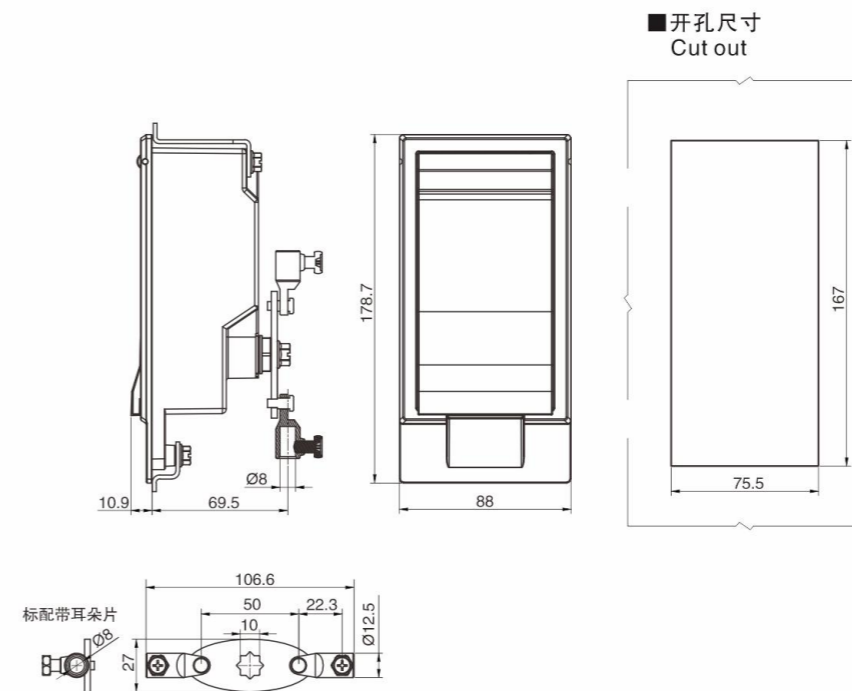
MS888-C



材质: 铝合金主体、镀锌附件  
表面处理: 灰  
打开方式: 盖子上翻后, 拉下手柄后转动  
手柄承载: 扭矩力 $\leq 25\text{N}\cdot\text{m}$   
使用门板: 厚度1-4mm  
附件选配: 默认带耳朵片, 选配无耳朵片  
Material: Aluminum alloy body, galvanized accessories  
Surface treatment: Grey  
Opening method: After flipping up the lid, pull down the handle and turn it  
Handle bearing capacity: torque force  $\leq 25\text{N}\cdot\text{m}$   
Use door panel: thickness 1-4mm  
Accessory options: Standard with tabs, optional without tabs

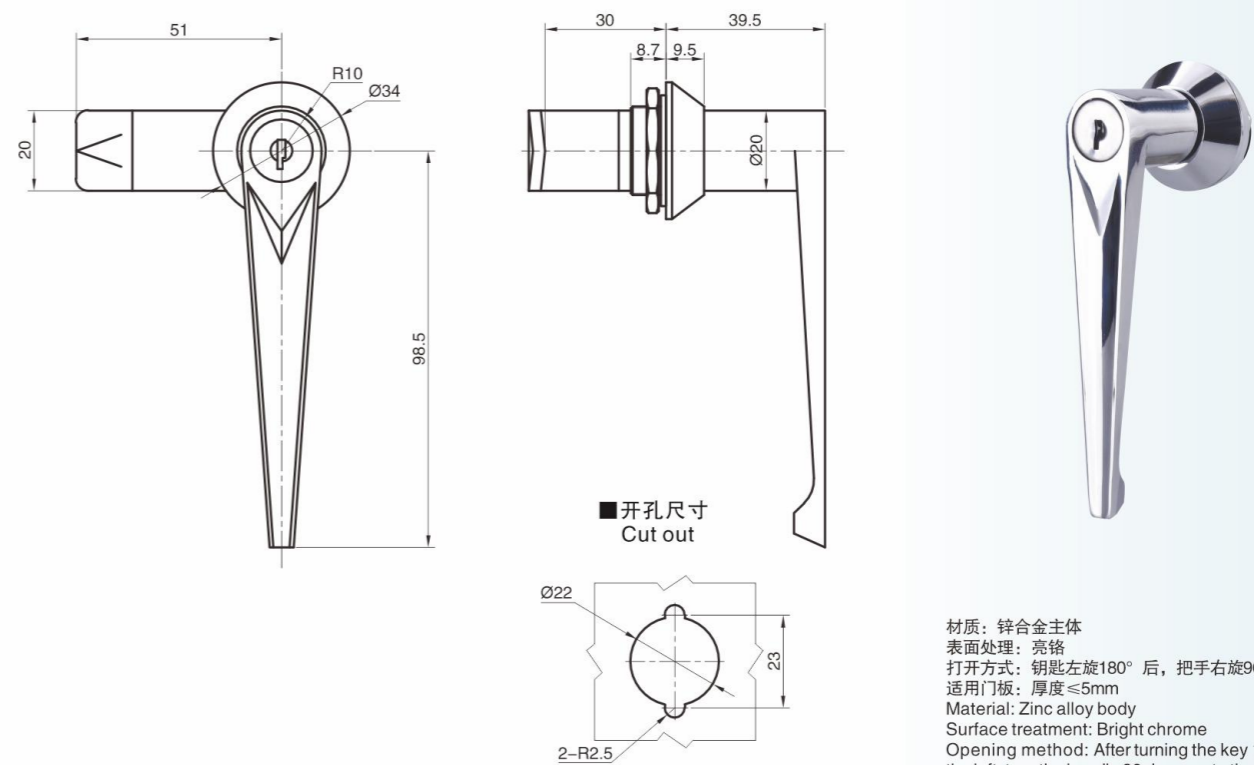


MS888T



材质: 铝合金主体、镀锌附件  
表面处理: 灰  
打开方式: 盖子上翻后, 拉下手柄后转动  
手柄承载: 扭矩力 $\leq 25\text{N}\cdot\text{m}$   
使用门板: 厚度1-4mm  
附件选配: 默认带耳朵片, 选配无耳朵片  
Material: Aluminum alloy body, galvanized accessories  
Surface treatment: Grey  
Opening method: After flipping up the lid, pull down the handle and turn it  
Handle bearing capacity: torque force  $\leq 25\text{N}\cdot\text{m}$   
Use door panel: thickness 1-4mm  
Accessory options: Standard with tabs, optional without tabs

MS301

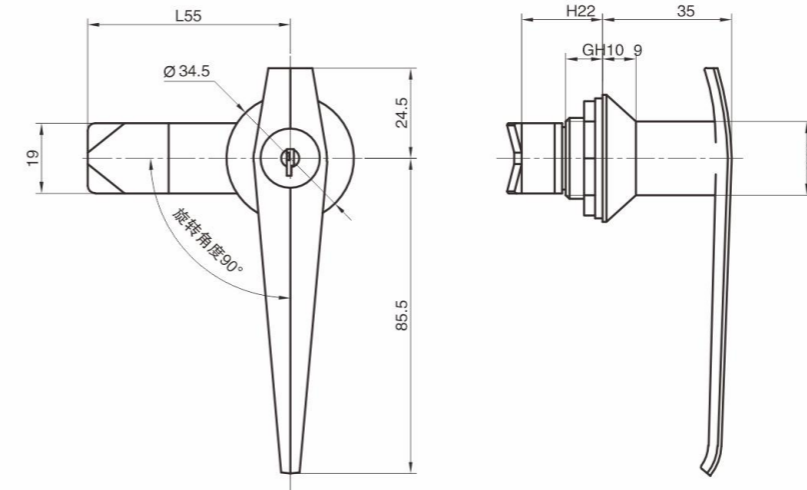
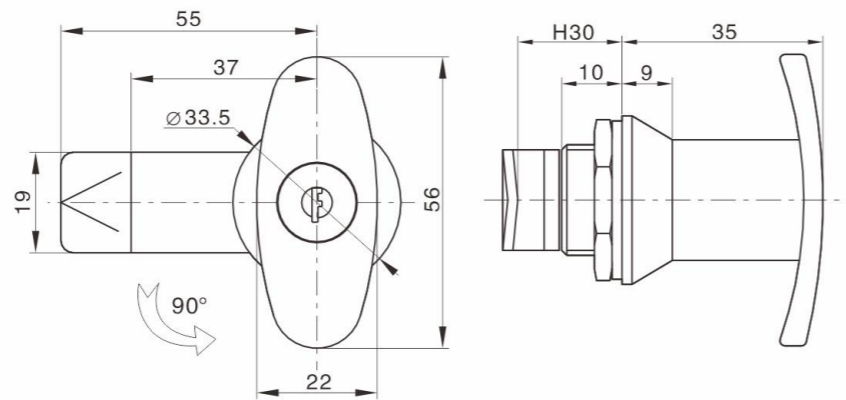
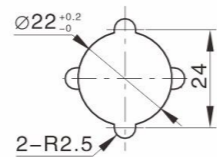


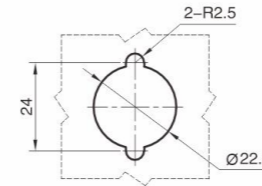
材质: 锌合金主体  
表面处理: 亮铬  
打开方式: 钥匙左旋180°后, 把手右旋90°  
适用门板: 厚度 $\leq 5\text{mm}$   
Material: Zinc alloy body  
Surface treatment: Bright chrome  
Opening method: After turning the key 180 degrees to the left, turn the handle 90 degrees to the right  
Applicable door panel: thickness  $\leq 5\text{mm}$

连杆锁  
平面锁  
执手锁  
拉手  
转舌锁  
铰链系列  
搭扣锁  
不锈钢系列  
密码锁  
附件

RodControlLock  
 连杆锁  
 Plane Lock  
 平面锁  
 Handle Lock  
 执手锁  
 Handle  
 拉手  
 Cam lock  
 转舌锁  
 Hinge series  
 铰链系列  
 Buckle Lock  
 搭扣锁  
 Stainless steel series  
 不锈钢系列  
 Combination lock  
 密码锁  
 Accessories  
 附件

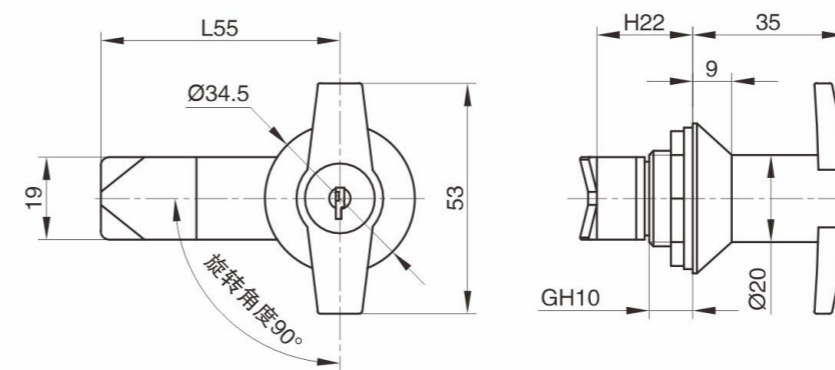
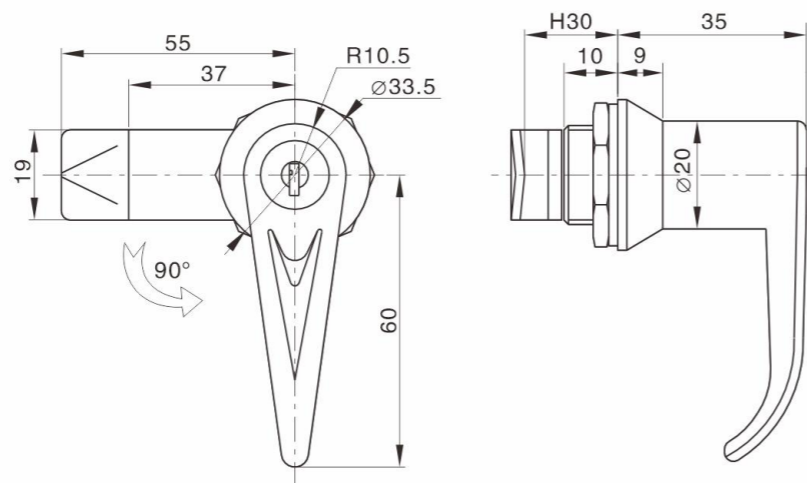
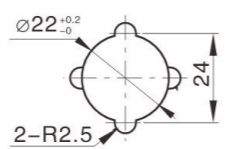
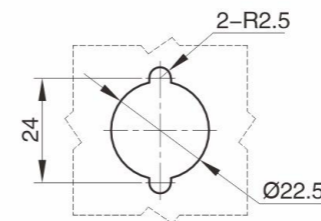
 RodControlLock  
 连杆锁  
 Plane Lock  
 平面锁  
 Handle Lock  
 执手锁  
 Handle  
 拉手  
 Cam lock  
 转舌锁  
 Hinge series  
 铰链系列  
 Buckle Lock  
 搭扣锁  
 Stainless steel series  
 不锈钢系列  
 Combination lock  
 密码锁  
 Accessories  
 附件

**MS302**
**MS304**

 开孔尺寸  
 Cut out

 备注：调整锁座安装方向  
 可实现左右开门

 开孔尺寸  
 Cut out

 材质：锌合金锁体，螺母，镀锌锁片  
 表面处理：镀铬  
 适用门板厚度：1~3mm  
 Material: Zinc alloy lock body, nuts, galvanized lock plates  
 Finish: Bright chrome plating  
 Panel thickness: 1~3mm

产品型号及特性 Model	
有锁芯 With key	MS302-1
按钮型 Push button	MS302-1A

 材质：锌合金主体  
 表面处理：镀铬  
 打开方式：把手旋转90° 实现开启或关闭  
 适用门板：厚度≤3mm  
 Material: Zinc alloy body  
 Surface treatment: Bright chrome  
 Opening method: Rotate the handle 90° to open or close  
 Applicable door panel: thickness ≤ 3mm

**MS303**
**MS305**

 开孔尺寸  
 Cut out

 备注：调整锁座安装方向  
 可实现左右开门

 材质：锌合金锁体，螺母，镀锌锁片  
 表面处理：镀铬  
 适用门板厚度：1~3mm  
 Material: Zinc alloy lock body, nuts, galvanized lock plates  
 Finish: Bright chrome plating  
 Panel thickness: 1~3mm

 材质：锌合金主体  
 表面处理：镀铬  
 打开方式：把手旋转90° 实现开启或关闭  
 适用门板：厚度≤3mm  
 Material: Zinc alloy body  
 Surface treatment: Bright chrome  
 Opening method: Rotate the handle 90° to open or close  
 Applicable door panel: thickness ≤ 3mm

MS307

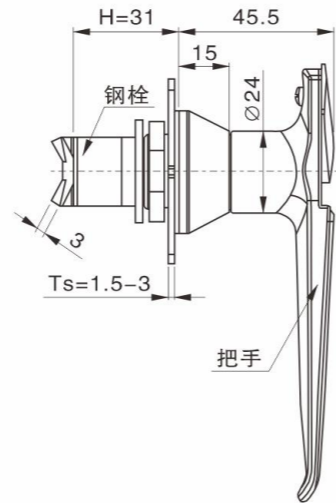
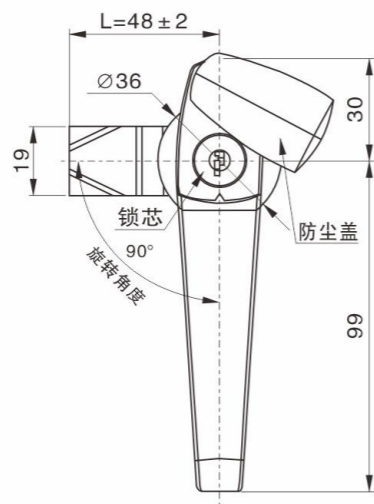
连杆锁  
Rod Control Lock

平面锁  
Plane Lock

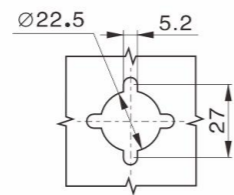
执手锁  
Handle Lock

拉手  
Handle

转舌锁  
Cam lock



■开孔尺寸  
Cut out



材质: 锌合金把手、基座, 碳钢钢柱  
表面处理: 镀亮光铬把手、基座, 锌白锌钢柱  
结构说明: 90° 旋转实现开启或锁闭  
Material: Zinc alloy handle, base, carbon steel bolt  
Surface treatment: chrome plated handle, base, zinc white zinc steel bolt  
Structure description: 90° rotation for opening or locking

MS308-3

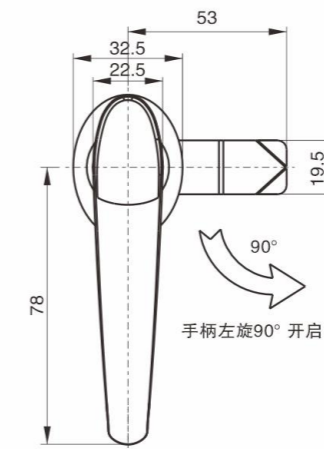
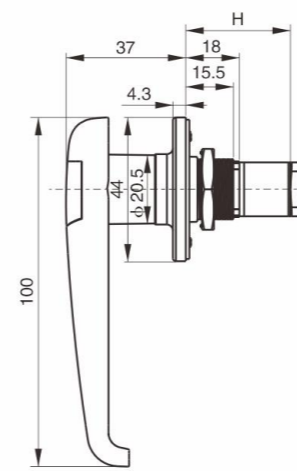
连杆锁  
Rod Control Lock

平面锁  
Plane Lock

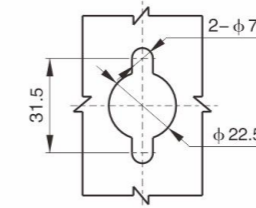
执手锁  
Handle Lock

拉手  
Handle

转舌锁  
Cam lock



开孔尺寸  
Cut out



产品材质: 锌/铝合金  
表面处理: 表面镀铬 亮光色  
结构说明: 旋转把手60度, 实现开启或锁闭  
适用门板厚度: 1-10mm  
Material: zinc / aluminum alloy  
Surface treatment: surface chrome bright color  
Structure Description: Turn the handle 60 degrees to achieve open or locked  
Applicable door thickness: 1-10mm

MS308-2

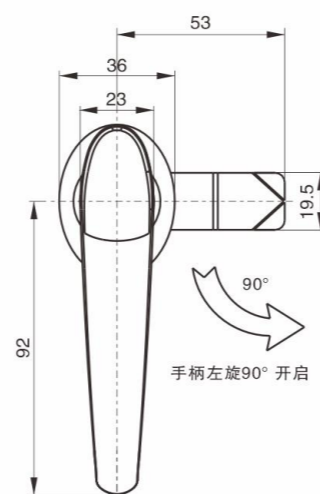
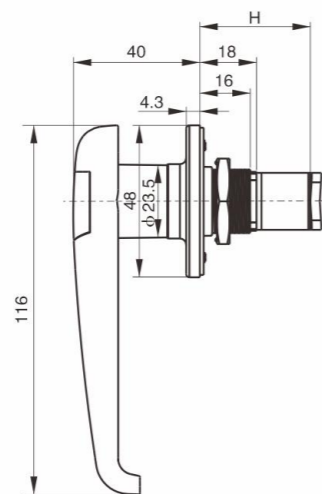
铰链系列  
Hinge series

搭扣锁  
Buckle Lock

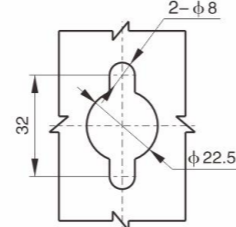
不锈钢系列  
Stainless steel series

密码锁  
Combination lock

附件  
Accessories



开孔尺寸  
Cut out



产品材质: 锌/铝合金  
表面处理: 表面镀铬 亮光色  
结构说明: 旋转把手60度, 实现开启或锁闭  
适用门板厚度: 1-10mm  
Material: zinc / aluminum alloy  
Surface treatment: surface chrome bright color  
Structure Description: Turn the handle 60 degrees to achieve open or locked  
Applicable door thickness: 1-10mm



MS311

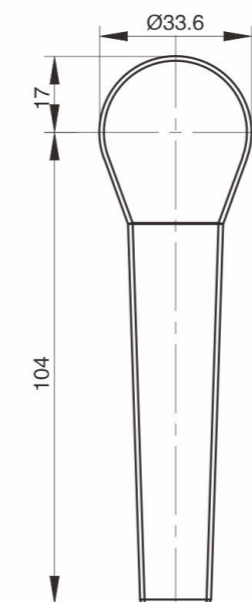
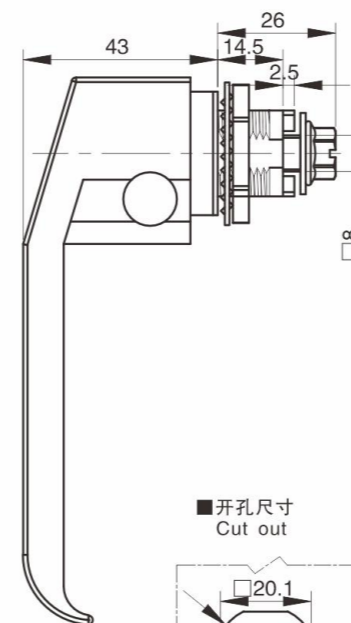
铰链系列  
Hinge series

搭扣锁  
Buckle Lock

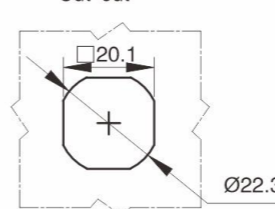
不锈钢系列  
Stainless steel series

密码锁  
Combination lock

附件  
Accessories



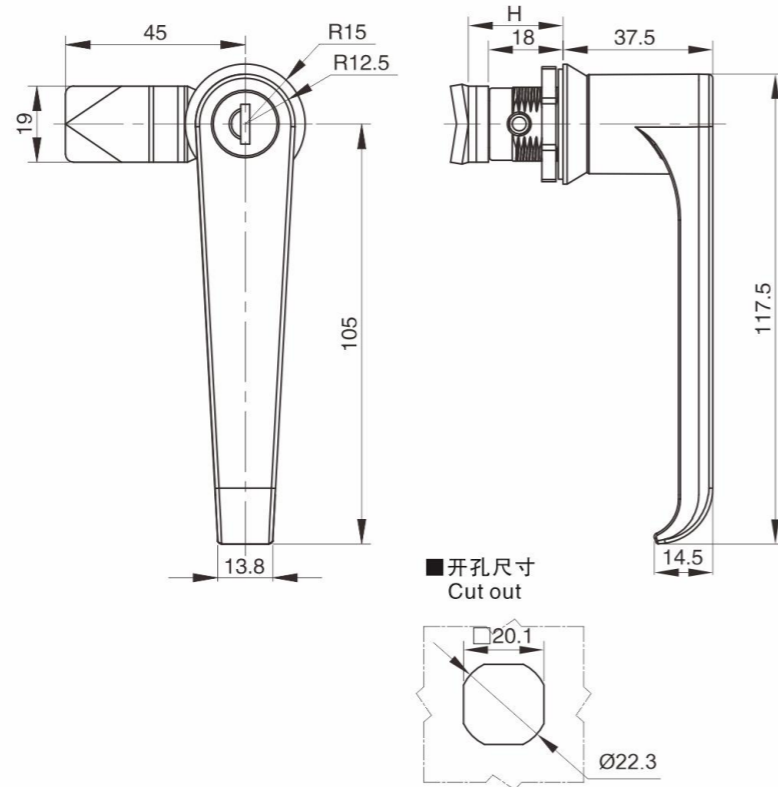
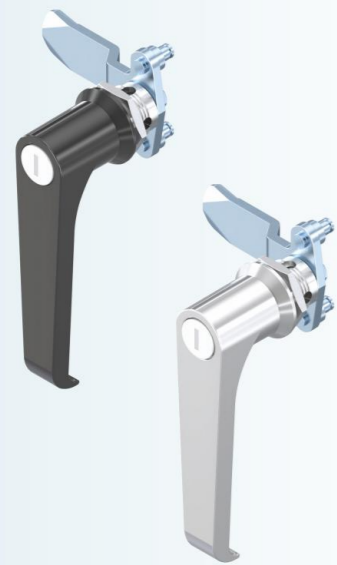
■开孔尺寸  
Cut out



材质: 锌合金主体  
表面处理: 黑  
打开方式: 把手旋转90°  
Material: Zinc alloy body  
Surface treatment: Black  
Opening method: Rotate the handle 90°

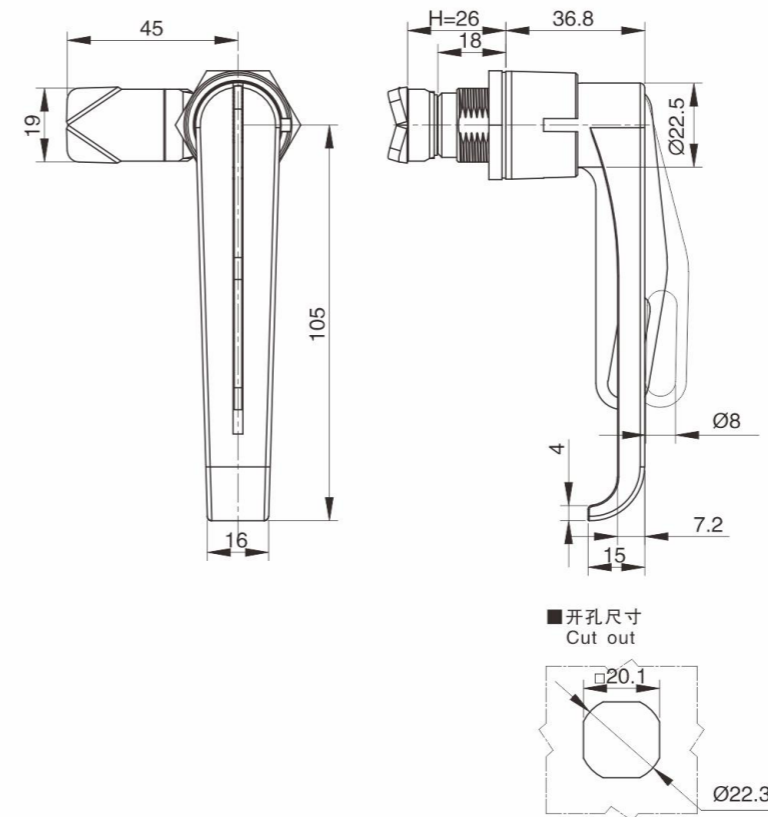
Rod Control Lock  
平面锁  
执手锁  
Handle  
Cam lock  
Hinge series  
搭扣锁  
Stainless steel series  
密码锁  
附件

MS314



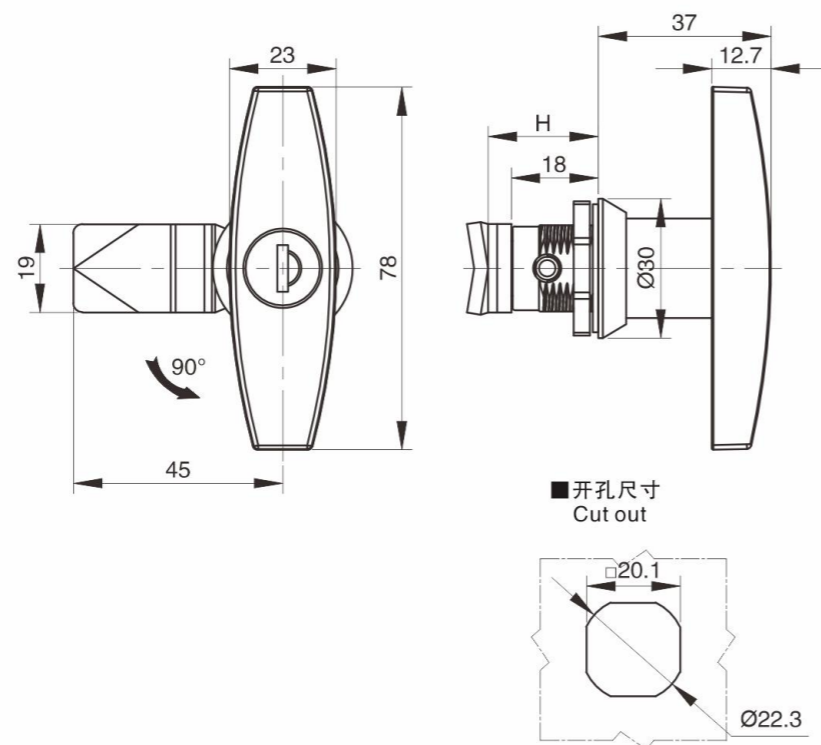
材质: 锌合金主体  
表面处理: 亮铬  
打开方式: 钥匙右旋180°后, 把手左旋90°  
适用门板: 厚度 ≤ 5mm  
Material: Zinc alloy body  
Surface treatment: Bright chrome  
Opening method: Turn the key 180 degrees to the right and then turn the handle 90 degrees to the left  
Applicable door panel: thickness ≤ 5mm

MS325



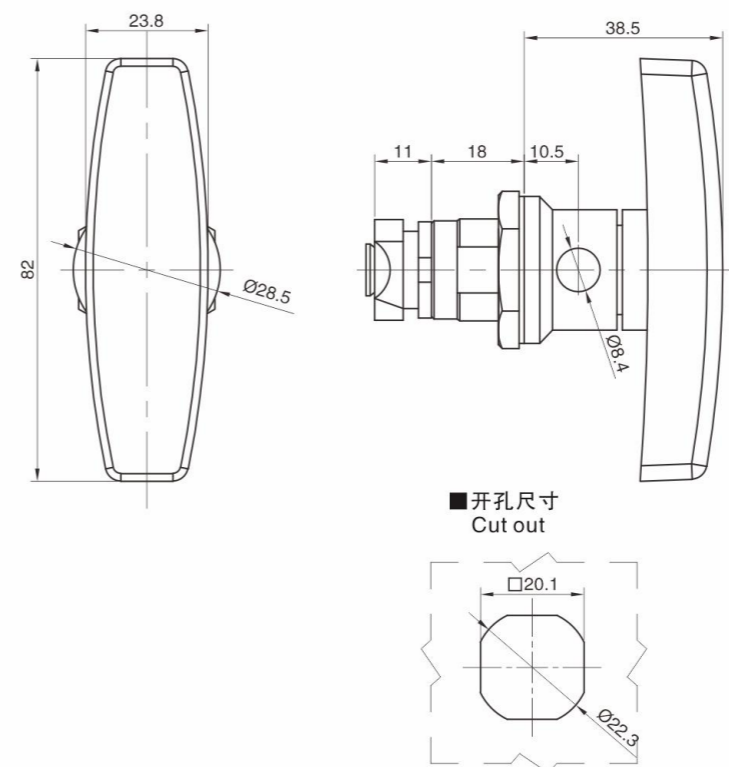
材质: 锌合金主体  
表面处理: 黑、亮铬  
适用门板: 厚度 ≤ 5mm  
Material: Zinc alloy body  
Surface treatment: Black, bright chrome  
Applicable door panel: thickness ≤ 5mm

MS324-2



材质: 锌合金主体  
表面处理: 无光黑  
打开方式: 钥匙右旋180°后, 把手左旋90°  
适用门板: 厚度 ≤ 5mm  
Material: Zinc alloy body  
Surface treatment: Matte black  
Opening method: Turn the key 180° degrees to the right and then turn the handle 90° degrees to the left  
Applicable door panel: thickness ≤ 5mm

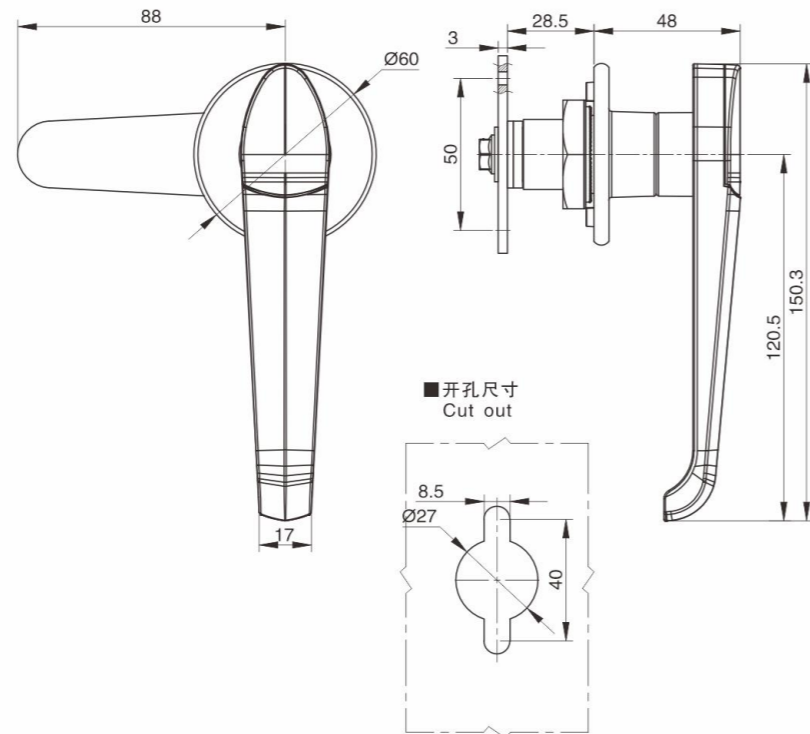
MS715



材质: 锌合金基座、锁舌, PA手柄  
表面处理: 蓝  
打开方式: 手柄90°旋转实现开启或锁闭  
适用门板: 厚度 ≤ 5mm  
Material: Zinc alloy base, latch, PA handle  
Surface treatment: Blue  
Operation method: Rotate the handle 90 degrees to open or lock  
Applicable to door panels: thickness ≤ 5mm

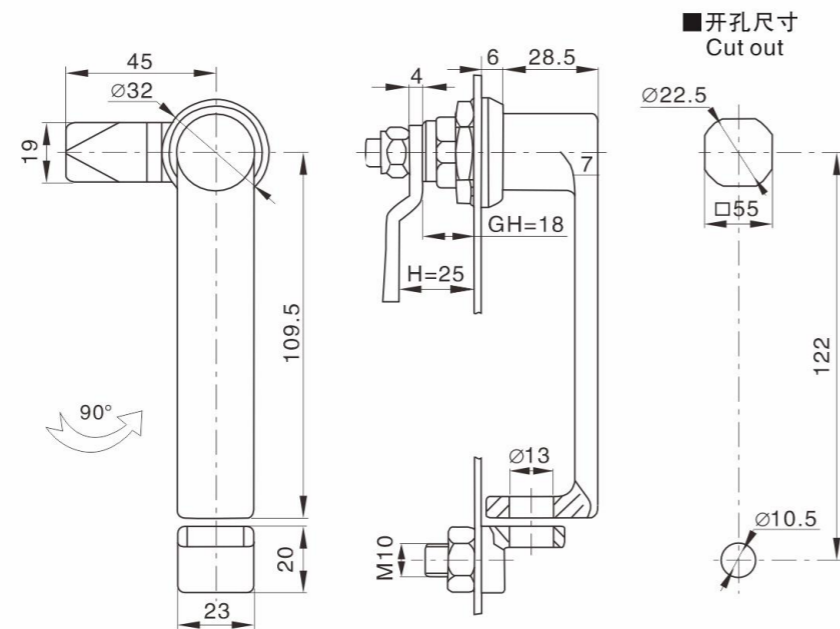
Rod Control Lock  
Plane Lock  
Handle Lock  
Handle  
Cam lock  
Hinge series  
Buckle Lock  
Stainless steel series  
Combination lock  
Accessories

MS807-3



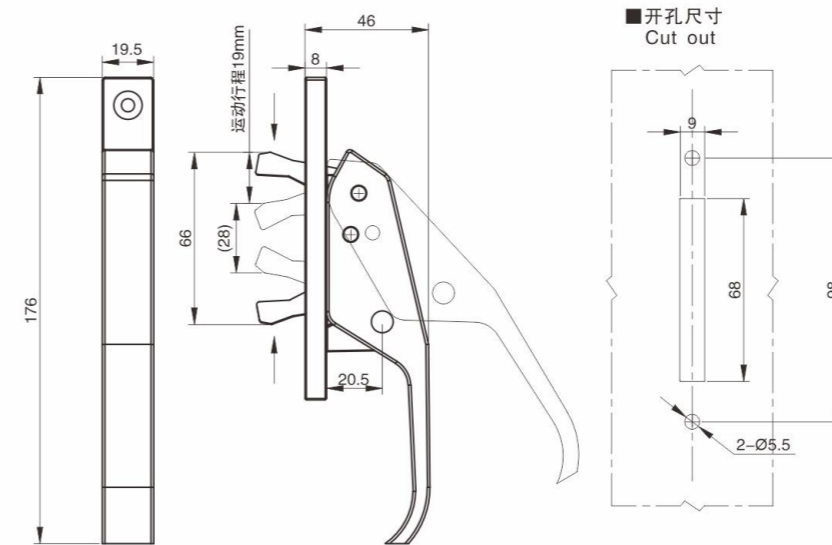
材质：锌合金主体，镀锌附件  
表面处理：亮铬  
打开方式：钥匙左旋180°后，把手左旋60°（调换底座安装180°方向，可实现把手右旋）  
适用门板：厚度 ≤ 10mm  
Material: Zinc alloy body, galvanized accessories  
Surface treatment: Bright chrome  
Opening method: Turn the key 180° to the left and then turn the handle 60° to the left (By changing the base installation direction by 180°, the handle can be rotated in right.)  
Applicable door panel: thickness ≤ 10mm

MS868



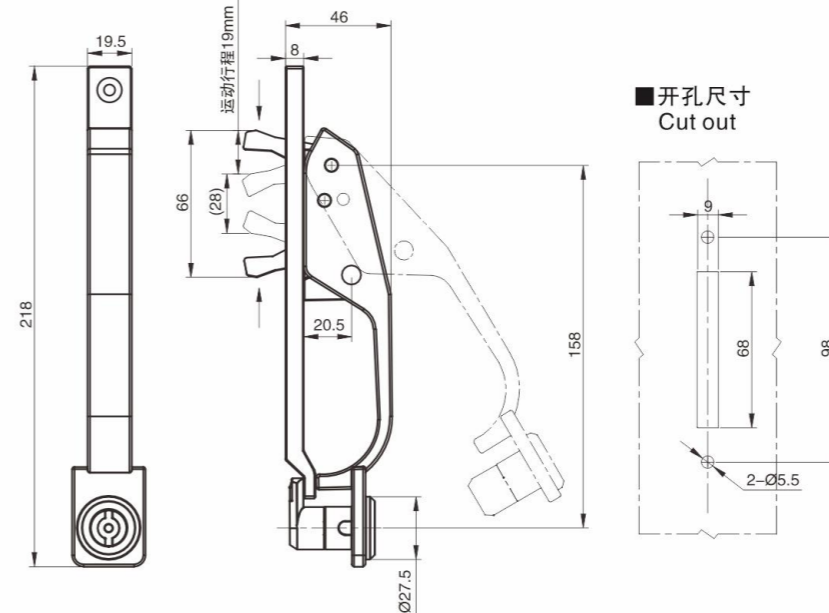
产品材质：锌合金把手，基座、镀锌锁舌；  
表面处理：粉末喷涂黑色；  
Material: zinc alloy handles, pedestal, galvanized bolt;  
Finish: black powder coating;

MS877



材质：锌合金主体  
表面处理：蓝、黑、亮光灰  
打开方式：拉起拉手  
Material: Zinc alloy body  
Surface treatment: blue, black, glossy gray  
Opening method: Pull up the handle

MS887-3

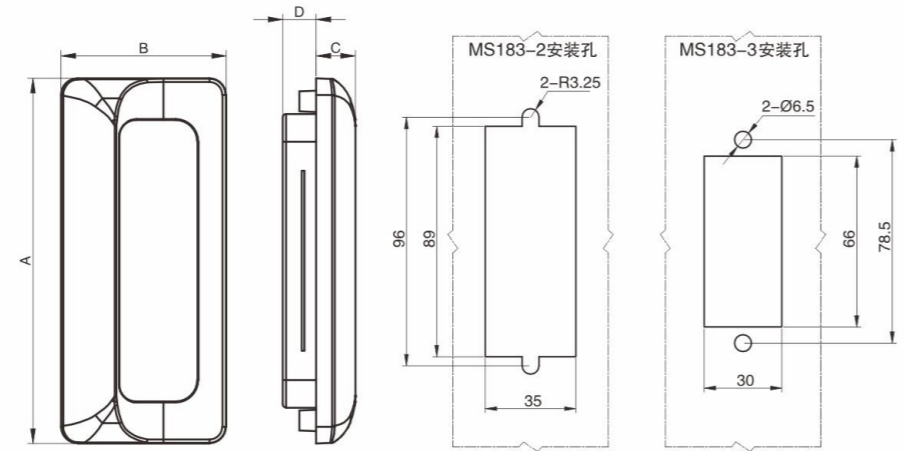


材质：锌合金主体  
表面处理：蓝、黑、亮光灰  
打开方式：钥匙右旋90°后拉起拉手  
备注：默认无钥匙，可选配  
Material: Zinc alloy body  
Surface treatment: blue, black, glossy gray  
Opening method: Turn the key 90 degrees to the right and then pull up the handle  
Note: Keyless by default, optional

Rod Control Lock  
Plane Lock  
Handle Lock  
Handle  
Cam lock  
Hinge series  
Buckle Lock  
Stainless steel series  
Combination lock  
Accessories

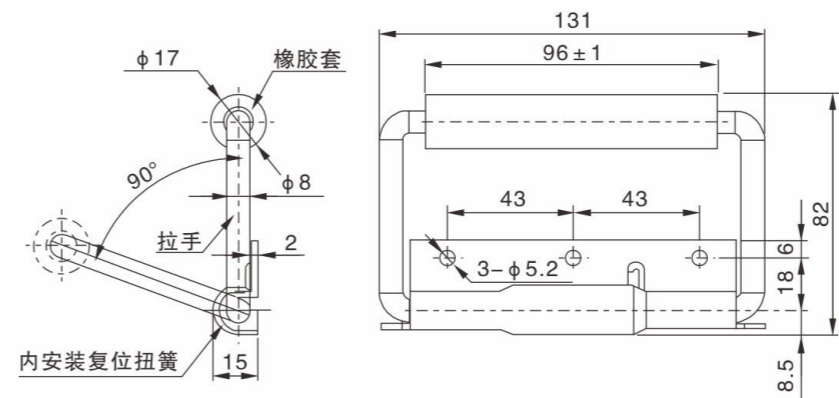
连杆锁  
平面锁  
执手锁  
拉手  
转舌锁  
铰链系列  
搭扣锁  
不锈钢系列  
密码锁  
附件

MS183-2



产品型号 Model	基本尺寸 Dimensions			
	A	B	C	D
MS183-2	110	50	11.8	10
MS183-3	93	42.5	10.8	7.6

材质：锌合金主体  
表面处理：无光黑、沙铬、亮铬  
Material: Zinc alloy body  
Surface treatment: matte black, sand chrome, bright chrome

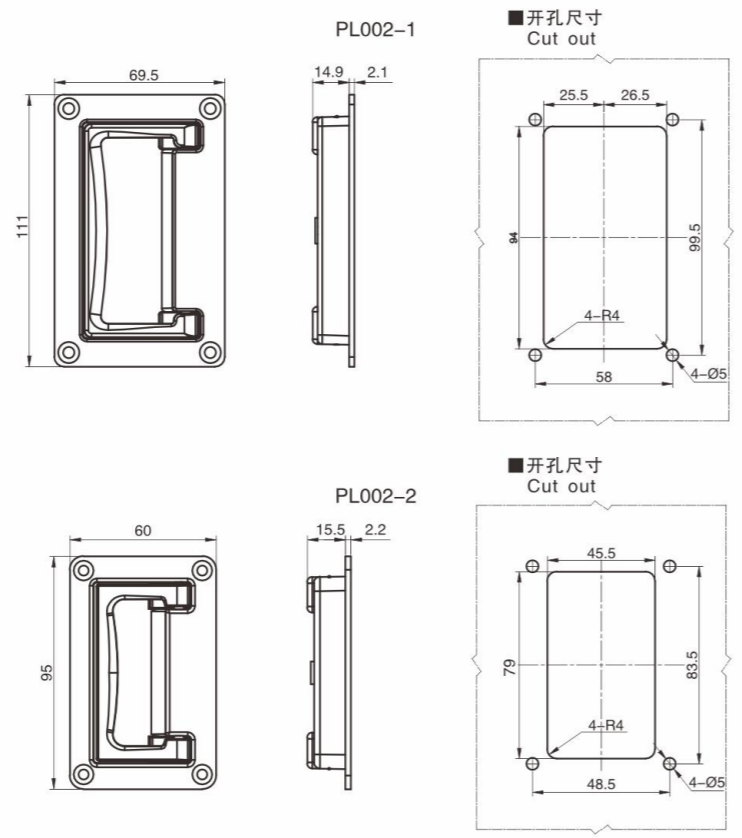


LS504-1

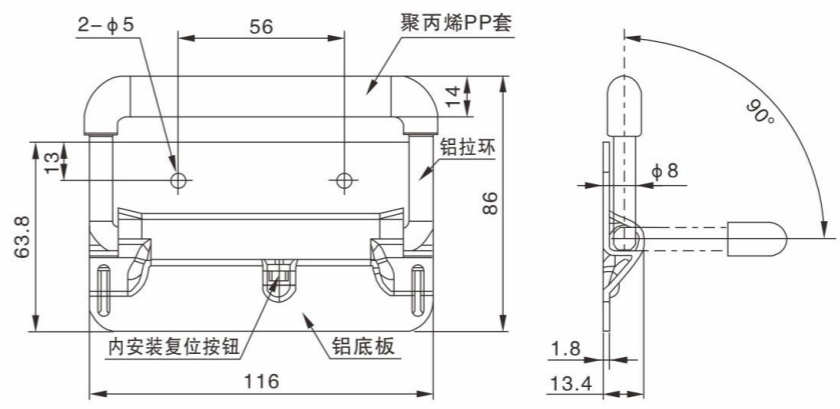


材质：碳钢或304不锈钢  
表面处理：电泳黑或磁力抛光  
最大静载荷：800N  
Material: Carbon steel or 304 stainless steel  
Surface treatment: electrophoretic black or magnetic polishing  
Maximum static load: 800N

PL002系列



材质：锌合金、不锈钢销子  
表面处理：喷砂镀铬  
适用门板：厚度≤5mm  
Material: Zinc alloy, stainless steel pin  
Surface treatment: Sandblasting chrome plating  
Applicable door panel: thickness ≤5mm



LS504-2



材质：铝合金底座、橡胶套拉环  
表面处理：氧化  
最大静载荷：840N  
Material: Aluminum alloy base, rubber sleeve pull ring  
Surface treatment: Oxidation  
Maximum static load: 840N

连杆锁  
Rod Control Lock

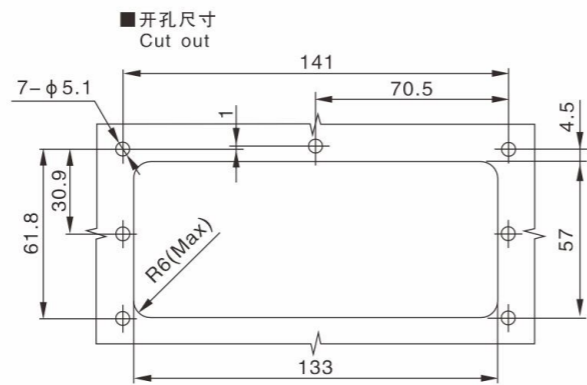
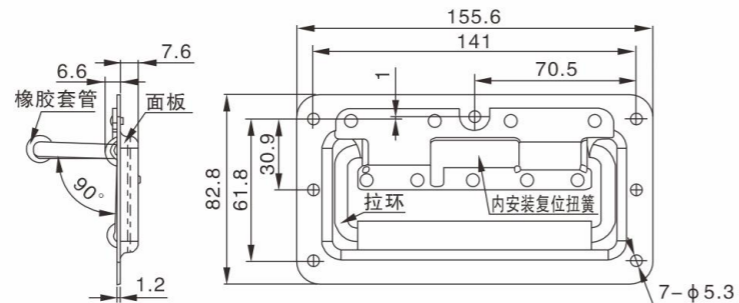
平面锁  
Plane Lock

执手锁  
Handle Lock

拉手  
Handle

转舌锁  
Cam Lock

LS504-3



材质：碳钢或304不锈钢  
表面处理：电泳黑或磁力抛光  
最大静载荷：840N  
Material: Carbon steel or 304 stainless steel  
Surface treatment: electrophoretic black or magnetic polishing  
Maximum static load: 840N

铰链系列  
Hinge series

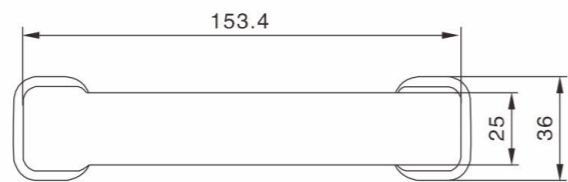
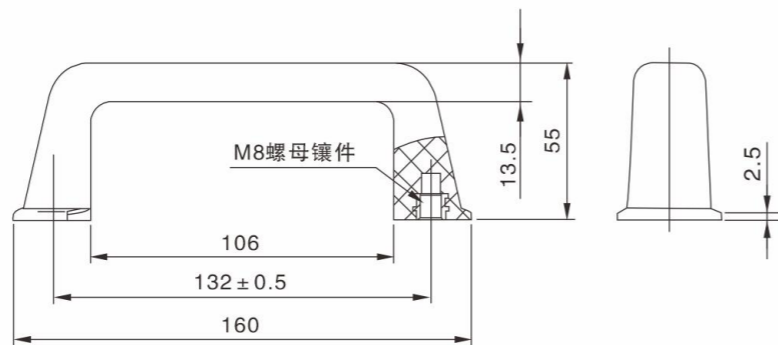
搭扣锁  
Buckle Lock

不锈钢系列  
Stainless steel series

密码锁  
Combination lock

附件  
Accessories

LS505



材质：黑色PP、镀锌嵌件  
最大静载荷：650N  
Material: Black PP, Galvanized Insert  
Maximum static load: 650N

连杆锁  
Rod Control Lock

平面锁  
Plane Lock

执手锁  
Handle Lock

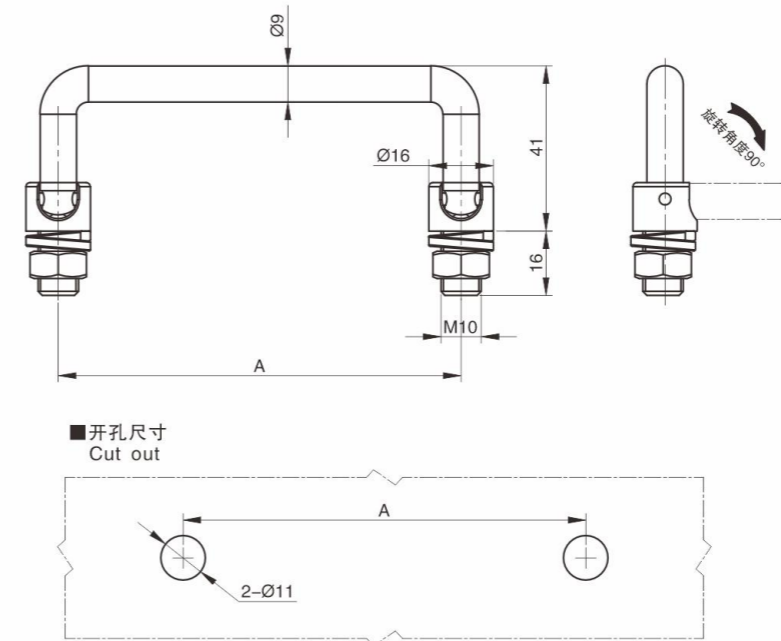
拉手  
Handle

转舌锁  
Cam Lock

LS506系列



材质：镀铬碳钢  
表面处理：亮光铬  
Material: Chrome plated carbon steel  
Surface treatment: Bright chrome



型号 Model	尺寸 Size A
LS506-87	87
LS506-100	100
LS506-120	120

铰链系列  
Hinge series

搭扣锁  
Buckle Lock

不锈钢系列  
Stainless steel series

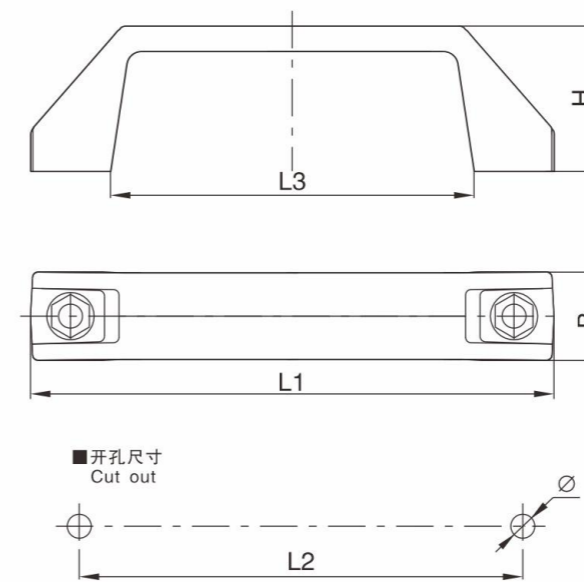
密码锁  
Combination lock

附件  
Accessories

LS522系列



材质：黑色PA6  
Material: Black Pa6



产品型号及特性 Model	基本尺寸 Dimensions					
	L1	L2	L3	B	H	Ø
LS522-90	140	120	101	22	38	8.5
LS522-120	106	90	72.5	20	36	6.5

连杆锁  
Rod Control Lock

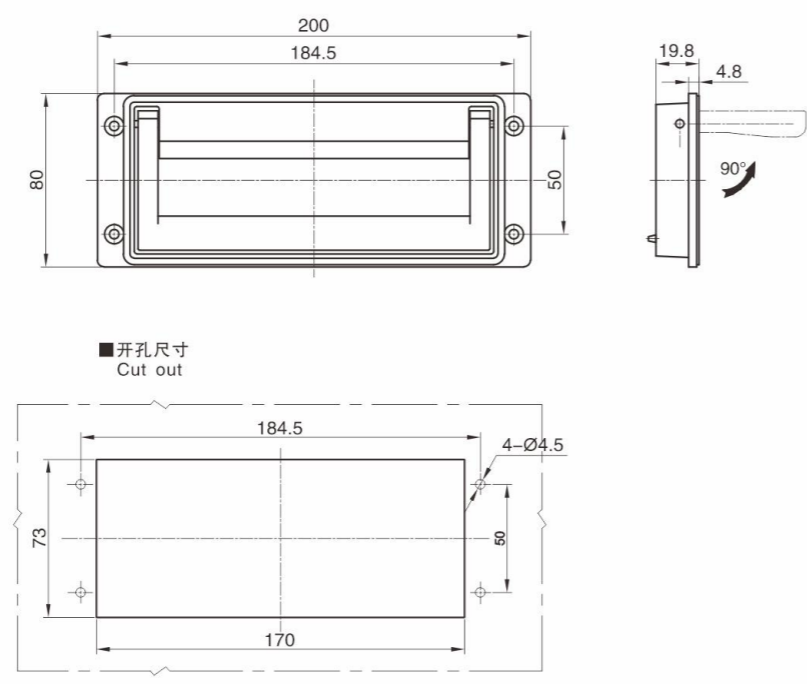
平面锁  
Plane Lock

执手锁  
Handle Lock

拉手  
Handle

转舌锁  
Cam lock

XAC86-A200



材质: 锌合金主体、碳钢销子  
表面处理: 喷漆无光黑  
适用门板: 厚度 ≤ 5mm  
Material: Zinc alloy body, carbon steel pin  
Surface treatment: Spray painted matte black  
Applicable door panel: thickness ≤ 5mm

连杆锁  
Rod Control Lock

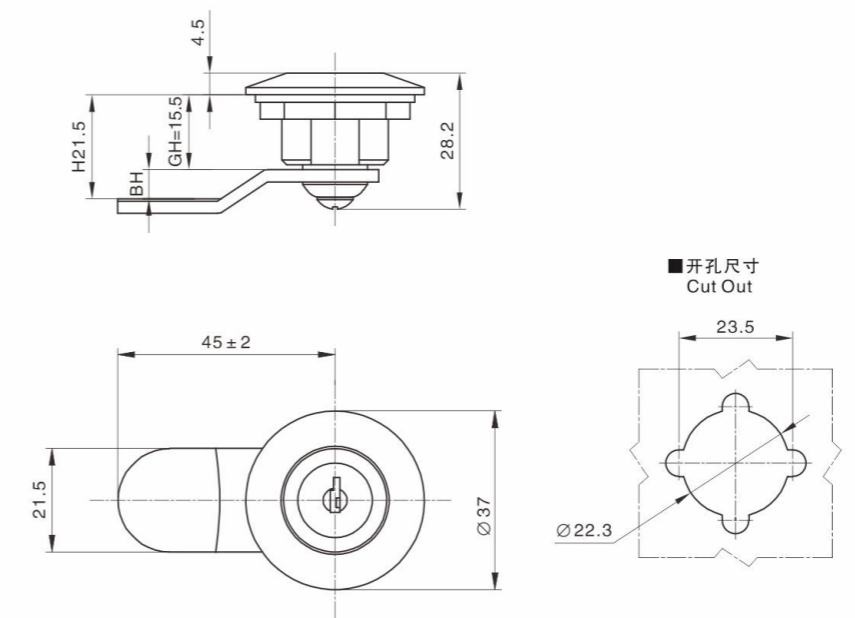
平面锁  
Plane Lock

执手锁  
Handle Lock

拉手  
Handle

转舌锁  
Cam lock

MS401



材质: 锌合金锁壳和锁芯, 碳钢钢柱  
表面处理: 镀亮铬, 配件镀蓝白锌  
结构说明: 旋转90° 实现开启或关闭  
Material: Zinc alloy lock shell and lock core, carbon steel bolt  
Surface treatment: bright chrome plating, accessories plated with blue and white zinc  
Structure description: Rotate 90° to open or close

铰链系列  
Hinge series

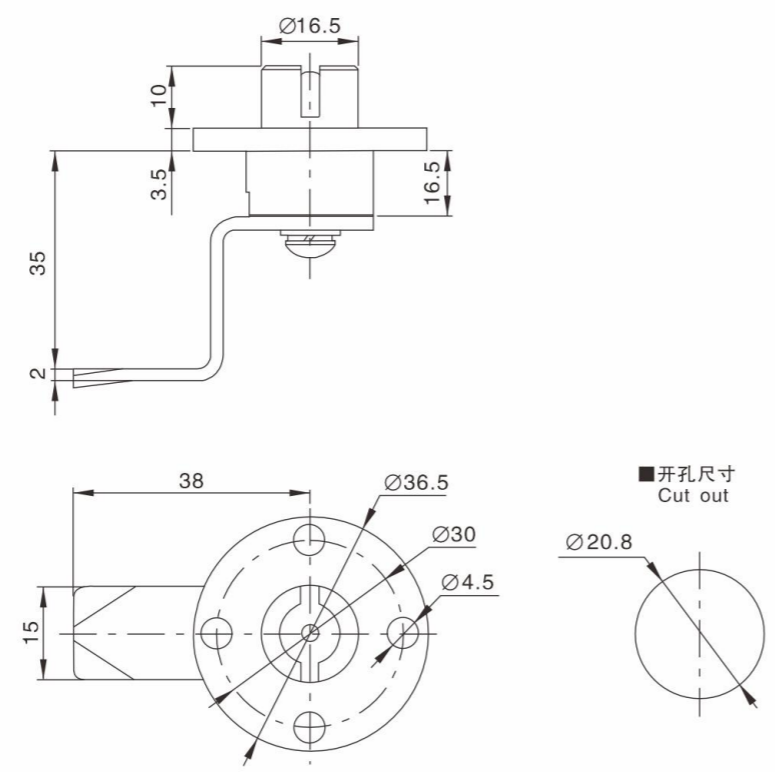
搭扣锁  
Buckle Lock

不锈钢系列  
Stainless steel series

密码锁  
Combination lock

附件  
Accessories

GGD系列



产品材质: 锌合金锁芯, 钥匙, 镀锌钢板拉杆盒、锁片  
表面处理: 镀彩锌  
适用门板厚度: 1.5-3mm  
Material: zinc alloy cylinder, key, galva-nized steel rod box, lock plate  
Surface treatment: color zinc plated  
Applicable door thickness: 1.5-3mm

铰链系列  
Hinge series

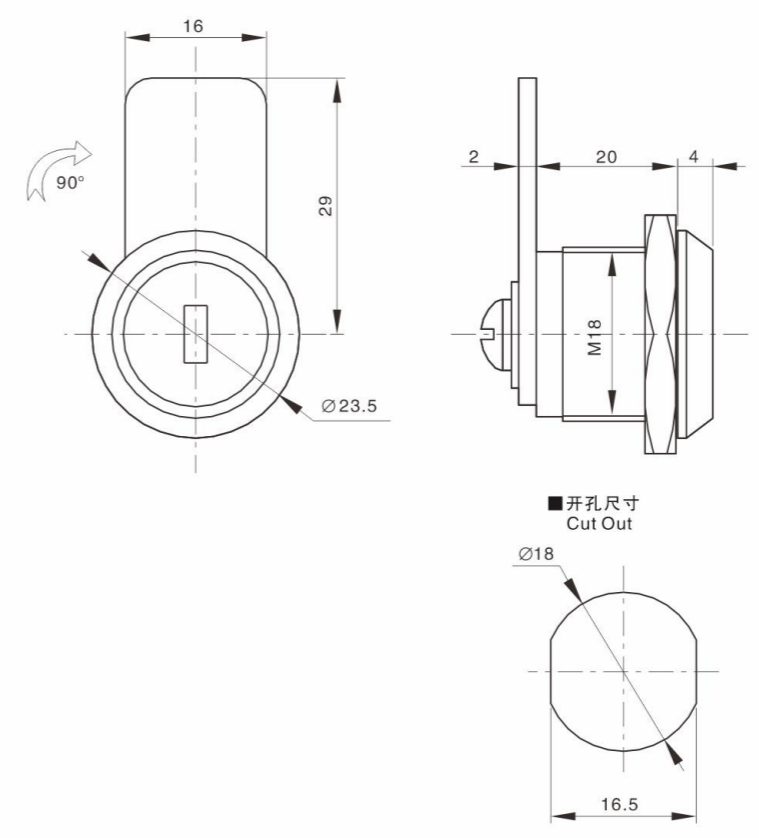
搭扣锁  
Buckle Lock

不锈钢系列  
Stainless steel series

密码锁  
Combination lock

附件  
Accessories

MS402



材质: 锌合金锁壳和锁芯, 碳钢钢柱  
表面处理: 镀亮铬, 配件镀蓝白锌  
结构说明: 旋转90° 实现开启或关闭  
Material: Zinc alloy lock shell and lock core, carbon steel bolt  
Surface treatment: bright chrome plating, accessories plated with blue and white zinc  
Structure description: Rotate 90° to open or close

转舌锁  
Cam lock

转舌锁  
Cam lock

MS403-A

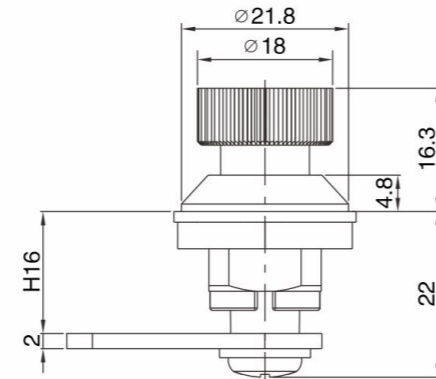
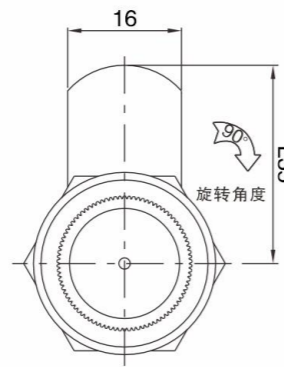
连杆锁  
Rod Control Lock

平面锁  
Plane Lock

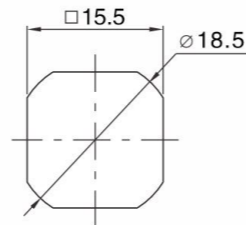
执手锁  
Handle Lock

拉手  
Handle

转舌锁  
Cam lock



开孔尺寸  
Cut out



产品材质: 锌合金  
表面处理: 表面镀铬 亮光色  
结构说明: 旋转锁芯90度, 实现开启或锁闭  
适用门板厚度: 1-4mm  
Material: zinc alloy  
Surface treatment: surface chrome bright color  
Structure Description: Turn the lock cylinder 90 degrees, to achieve open or locked  
Applicable door thickness: 1-4mm

MS408

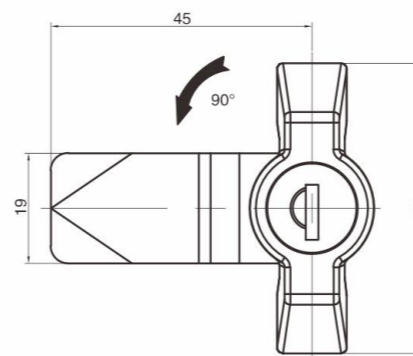
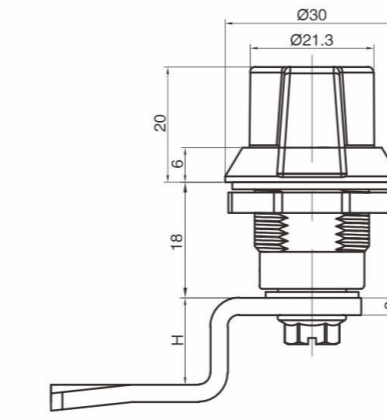
连杆锁  
Rod Control Lock

平面锁  
Plane Lock

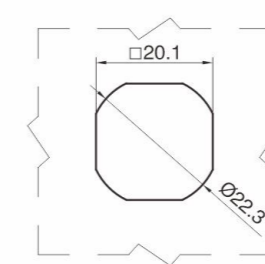
执手锁  
Handle Lock

拉手  
Handle

转舌锁  
Cam lock



开孔尺寸  
Cut out



材质: 锌合金主体、镀锌锁片  
表面处理: 黑  
打开方式: 左旋90°  
适用门板: 厚度≤5mm  
H高度: 锁片选配  
Material: Zinc alloy body, galvanized locking plate  
Surface treatment: Black  
Opening method: Left turn 90°  
Applicable door panel: thickness ≤ 5mm  
H height: lock plate optional

MS407

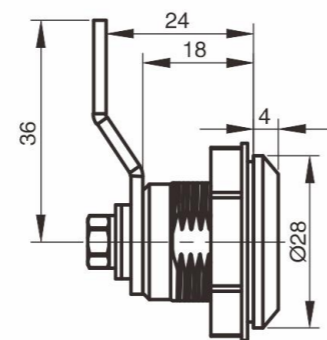
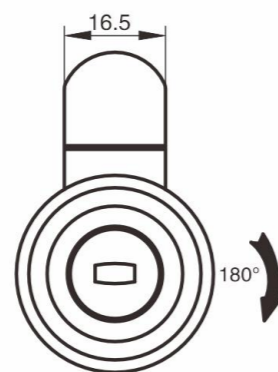
铰链系列  
Hinge series

搭扣锁  
Buckle Lock

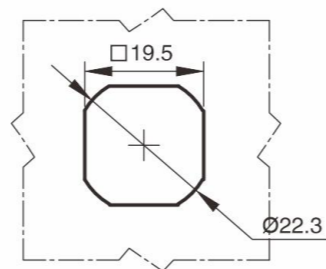
不锈钢系列  
Stainless steel series

密码锁  
Combination lock

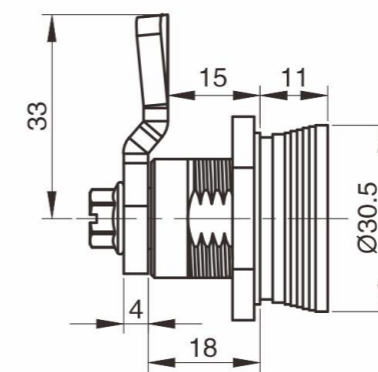
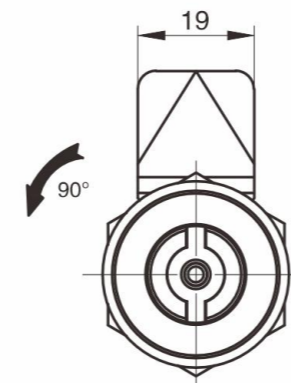
附件  
Accessories



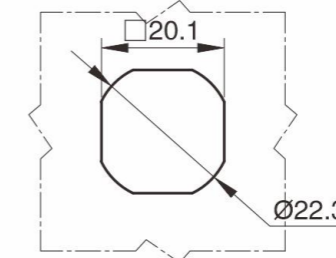
开孔尺寸  
Cut out



材质: 锌合金主体、镀锌锁舌  
表面处理: 黑  
打开方式: 右旋180°, 右旋后钥匙不可拔出  
适用门板: 厚度≤7mm  
Material: Zinc alloy body, Galvanized lock tongue  
Surface treatment: Black  
Opening method: Rotate 180° to the right, and the key cannot be removed after rotating to the right  
Applicable door panel: thickness ≤ 7mm



开孔尺寸  
Cut out



MS702

铰链系列  
Hinge series

搭扣锁  
Buckle Lock

不锈钢系列  
Stainless steel series

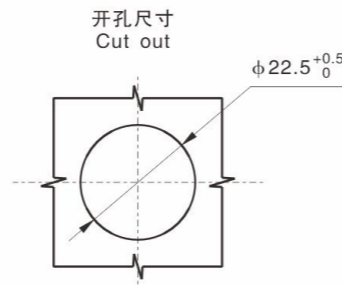
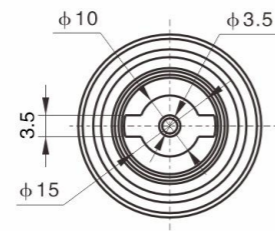
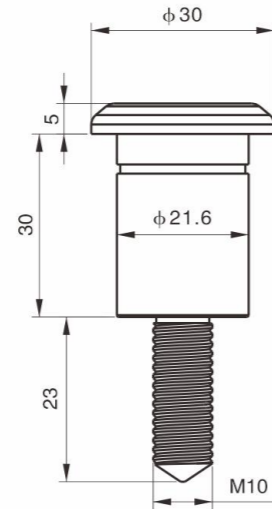
密码锁  
Combination lock

附件  
Accessories



材质: 锌合金主体、镀锌锁片  
表面处理: 孔雀绿、兰美束  
打开方式: 左旋90°  
适用门板: 厚度≤7mm  
钥匙: 默认无钥匙, 可选配  
Material: Zinc alloy body, galvanized locking plate  
Surface Treatment: Peacock Green, Lanmei Bundle  
Opening method: Left turn 90°  
Applicable door panel: thickness ≤ 7mm  
Key: default keyless, optional

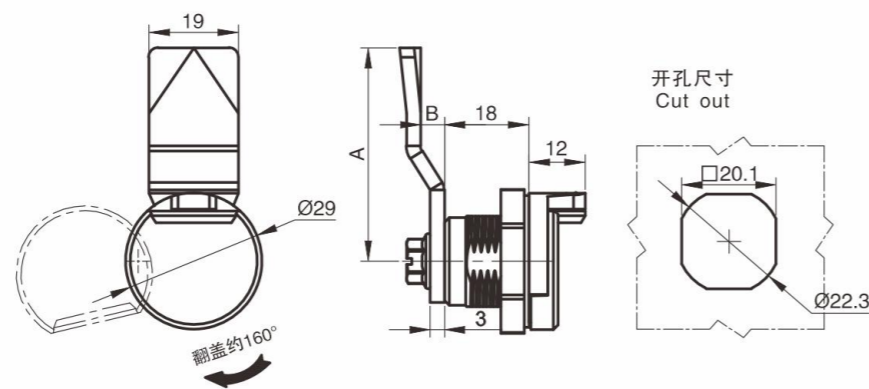
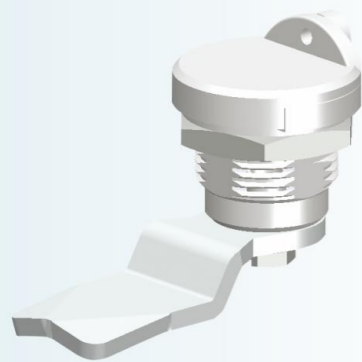
Rod Control Lock  
 Plane Lock  
 Handle Lock  
 Handle

**MS704**


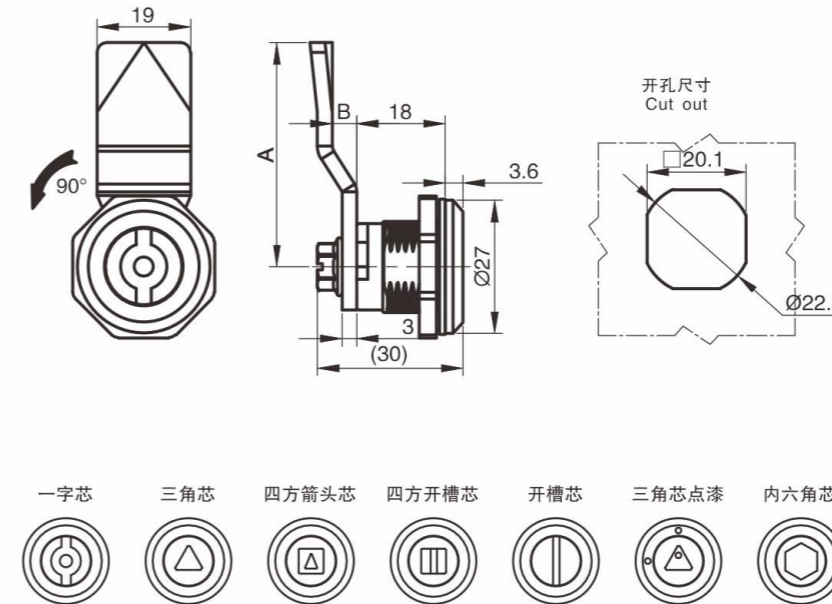
材质: 锌合金锁体, 螺母, 镀锌钢垫圈, 锁片  
 表面处理: 喷无光黑  
 适用门板厚: 1~8mm  
 Material: Zinc alloy lock body, nuts, galvanized steel washers, lock plates  
 Finish: Black powder coated  
 Panel thickness: 1~8mm.

 Cam lock  
 转舌锁

 Hinge series  
 Buckle Lock  
 Stainless steel series  
 密码锁  
 Accessories

**MS705-3A**


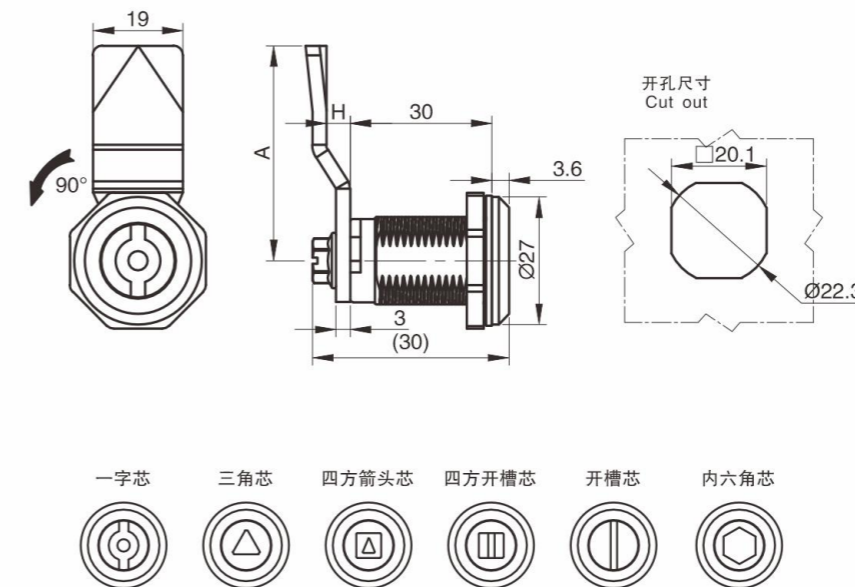
材质: 锌合金主体、镀锌锁舌  
 表面处理: 铬、黑  
 打开方式: 翻盖旋转打开后插入钥匙左旋90°  
 适用门板: 厚度≤5mm  
 钥匙: 默认无钥匙, 可选配  
 Material: Zinc alloy body, galvanized lock tongue  
 Surface treatment: chromium, black  
 Opening method: Rotate the flip cover to open, insert the key, and turn left 90°  
 Applicable door panel: thickness ≤ 5mm  
 Key: default keyless, optional


**MS705系列**


材质: 锌合金主体、铁质锁舌  
 表面处理: 铬、黑  
 打开方式: 左旋90°  
 适用门板: 厚度≤7mm  
 钥匙: 默认无钥匙, 可选配  
 Material: Zinc alloy body, iron lock tongue  
 Surface treatment: chromium, black  
 Opening method: Left turn 90°  
 Applicable door panel: thickness ≤ 7mm  
 Key: default keyless, optional

 Rod Control Lock  
 Plane Lock  
 Handle Lock  
 Handle  
 Cam lock  
 转舌锁

 Hinge series  
 Buckle Lock  
 Stainless steel series  
 密码锁  
 Accessories

**MS705-30**


材质: 锌合金主体、铁质锁舌  
 表面处理: 铬、黑  
 打开方式: 左旋90°  
 适用门板: 厚度≤7mm  
 钥匙: 默认无钥匙, 可选配  
 Material: Zinc alloy body, iron lock tongue  
 Surface treatment: chromium, black  
 Opening method: Left turn 90°  
 Applicable door panel: thickness ≤ 7mm  
 Key: default keyless, optional

MS705-40

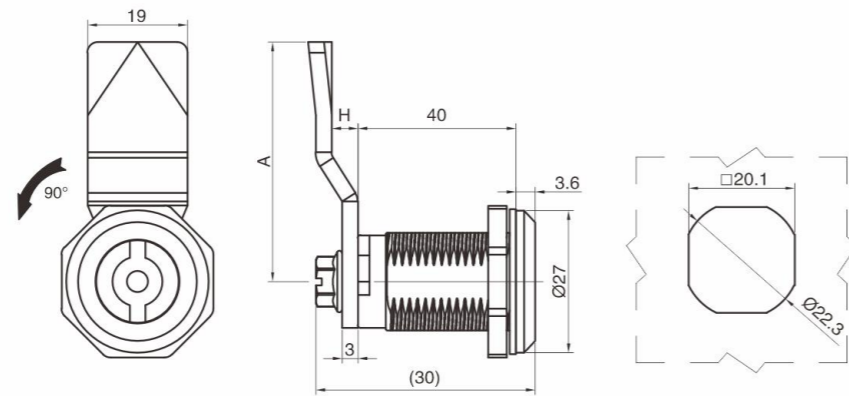
连杆锁  
Rod Control Lock

平面锁  
Plane Lock

执手锁  
Handle Lock

拉手  
Handle

转舌锁  
Cam lock



材质：锌合金主体、铁质锁舌  
表面处理：铬、黑  
打开方式：左旋90°  
适用门板：厚度≤7mm  
钥匙：默认无钥匙，可选配  
Material: Zinc alloy body, iron lock tongue  
Surface treatment: chromium, black  
Opening method: Left turn 90°  
Applicable door panel: thickness ≤ 7mm  
Key: default keyless, optional

MS715-1

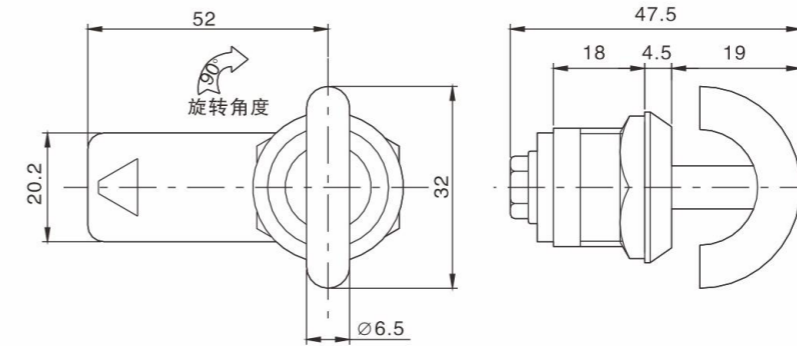
连杆锁  
Rod Control Lock

平面锁  
Plane Lock

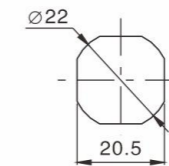
执手锁  
Handle Lock

拉手  
Handle

转舌锁  
Cam lock



■开孔尺寸  
Cut out



产品材质：锌铝合金  
表面处理：表面镀铬 亮光色  
结构说明：旋转把手90度，实现开启或锁闭  
适用门板厚度：1-5mm  
Material: zinc / aluminum alloy  
Surface treatment: surface chrome bright color  
Structure Description: Turn the handle 90 degrees to achieve open or locked  
Applicable door thickness: 1-5mm

MS705-3E

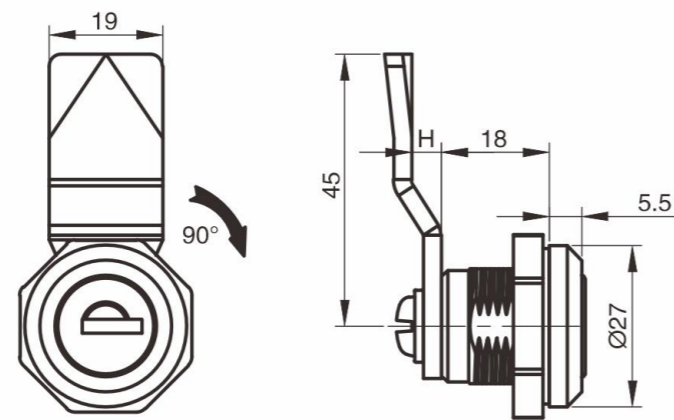
铰链系列  
Hinge series

搭扣锁  
Buckle Lock

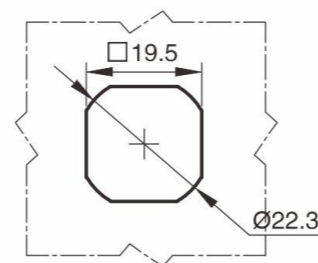
不锈钢系列  
Stainless steel series

密码锁  
Combination lock

附件  
Accessories



■开孔尺寸  
Cut out



材质：锌合金主体、铁质锁舌  
表面处理：铬、黑  
打开方式：右旋90°，右旋后钥匙不可拔出  
适用门板：厚度≤7mm  
Material: Zinc alloy body, iron lock tongue  
Surface treatment: chromium, black  
Opening method: Turn right 90°, the key cannot be removed after turning right  
Applicable door panel: thickness ≤ 7mm

MS715-7

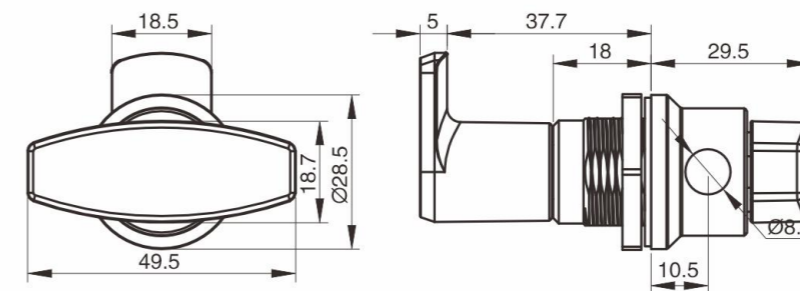
铰链系列  
Hinge series

搭扣锁  
Buckle Lock

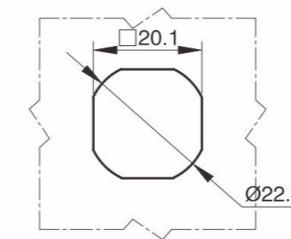
不锈钢系列  
Stainless steel series

密码锁  
Combination lock

附件  
Accessories



■开孔尺寸  
Cut out



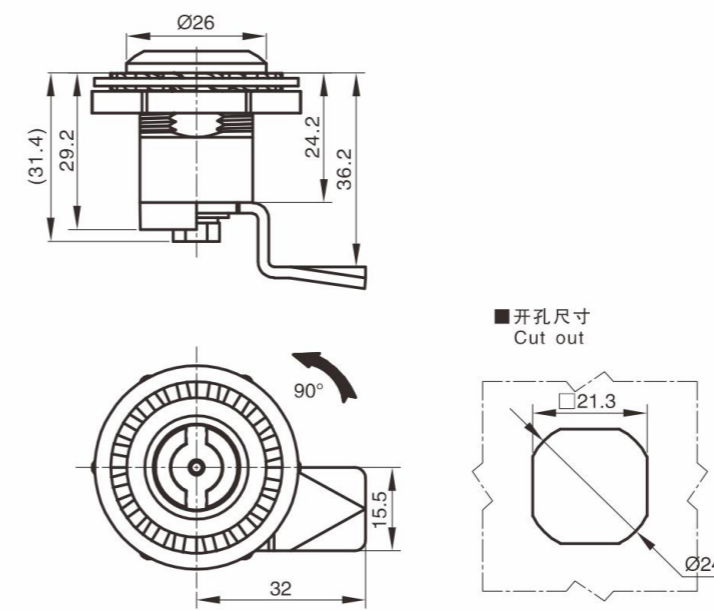
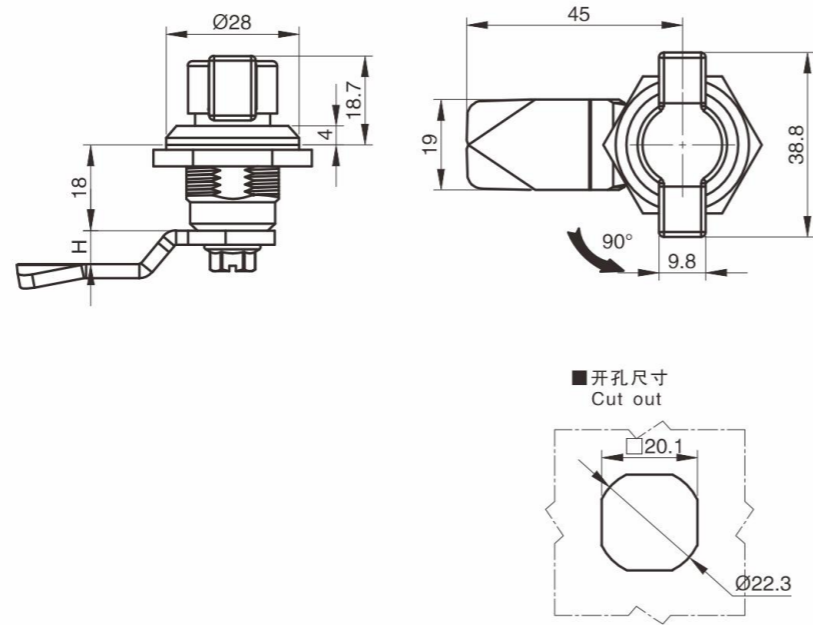
材质：锌合金主体  
表面处理：蓝色、黑  
打开方式：右旋90°  
适用门板：厚度≤5mm  
Material: Zinc alloy body  
Surface treatment: blue, black  
Opening method: Rotate 90° to the right  
Applicable door panel: thickness ≤ 5mm

转舌锁  
Cam lock

转舌锁  
Cam lock

MS722

MS755

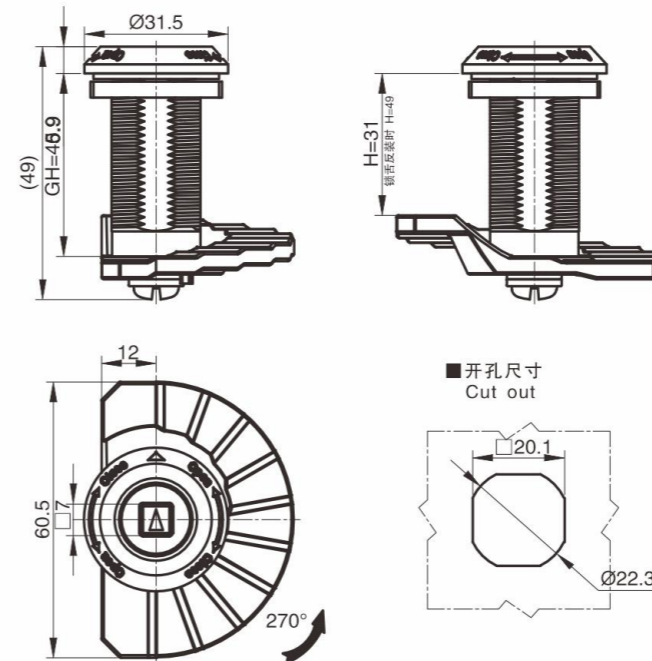
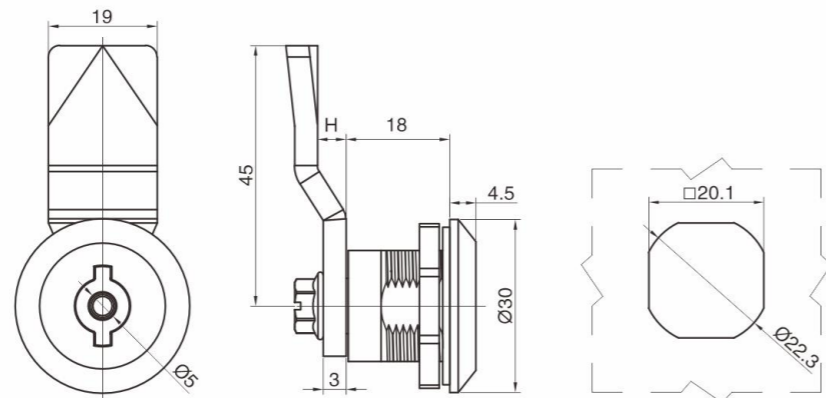


材质: 锌合金主体、PA手柄  
表面处理: 黑  
打开方式: 左旋90°  
适用门板: 厚度 $\leq 7\text{mm}$   
Material: Zinc alloy body, PA handle  
Surface treatment: Black  
Opening method: Left turn 90°  
Applicable door panel: thickness  $\leq 7\text{mm}$

材质: 锌合金主体、镀锌锁片  
表面处理: 砂纹黑  
钥匙: 默认无钥匙, 可选配  
Material: Zinc alloy body, galvanized locking plate  
Surface treatment: Sandprint black  
Key: default keyless, optional

MS727

MS756-40



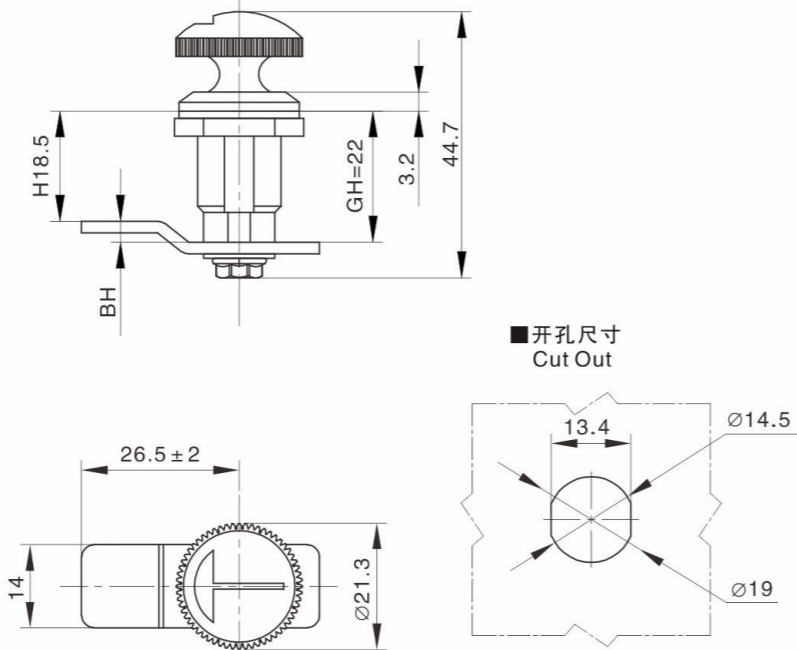
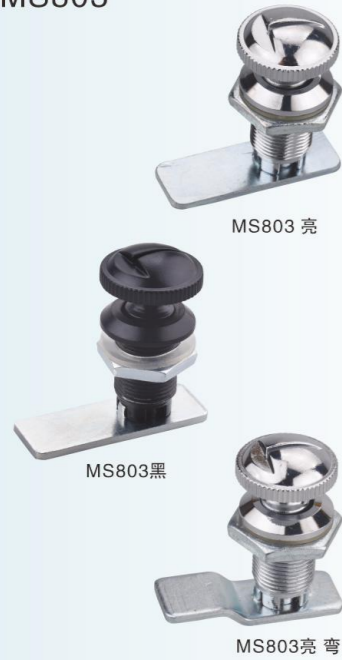
材质: 锌合金主体、铁质锁舌  
表面处理: 铬  
打开方式: 左旋90°  
适用门板: 厚度 $\leq 7\text{mm}$   
钥匙: 默认无钥匙, 可选配  
Material: Zinc alloy body, iron lock tongue  
Surface treatment: Chromium  
Opening method: Left turn 90°  
Applicable door panel: thickness  $\leq 7\text{mm}$   
Key: default keyless, optional

材质: 锌合金主体、锁舌  
表面处理: 铬  
打开方式: 左旋约270°  
钥匙: 默认无钥匙, 可选配  
Material: Zinc alloy body, locking tongue  
Surface treatment: Chromium  
Opening method: Left turn approximately 270°  
Key: default keyless, optional



连杆锁  
平面锁  
执手锁  
拉手

MS803

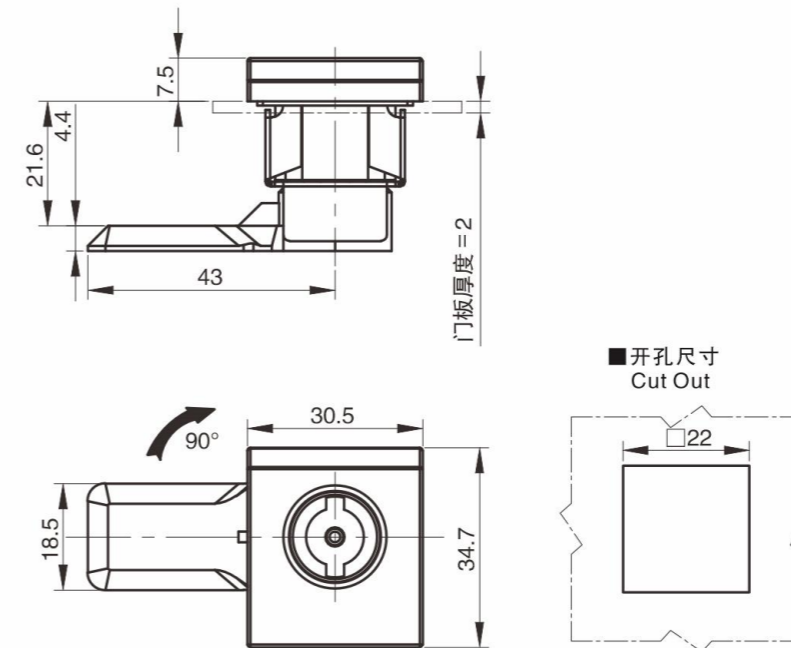


材质: 锌合金锁壳、旋钮, 碳钢配件  
表面处理: 喷无光黑或镀铬, 配件镀蓝白锌  
结构说明: 旋转90° 实现开启或关闭  
Material: Zinc alloy lock shell, knob, carbon steel accessories  
Surface treatment: Spray matte black or chrome plated, accessories plated with blue and white zinc  
Structure description: Rotate 90° to open or close

转舌锁  
Cam lock

连杆锁  
平面锁  
执手锁  
拉手

MS813

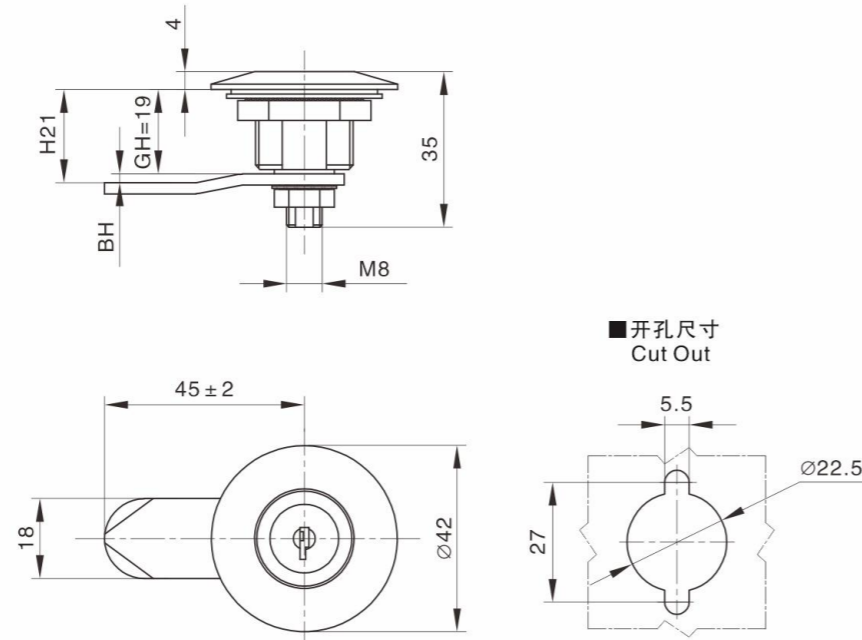


材质: 锌合金  
表面处理: 米黄、米白  
打开方式: 右旋90°  
适用门板: 厚度=2mm  
钥匙: 默认无钥匙, 可选配  
Material: Zinc alloy  
Surface treatment: beige, beige  
Opening method: Rotate 90° to the right  
Applicable door panel: thickness=2mm  
Key: default keyless, optional

转舌锁  
Cam lock

铰链系列  
搭扣锁  
不锈钢系列  
密码锁  
附件

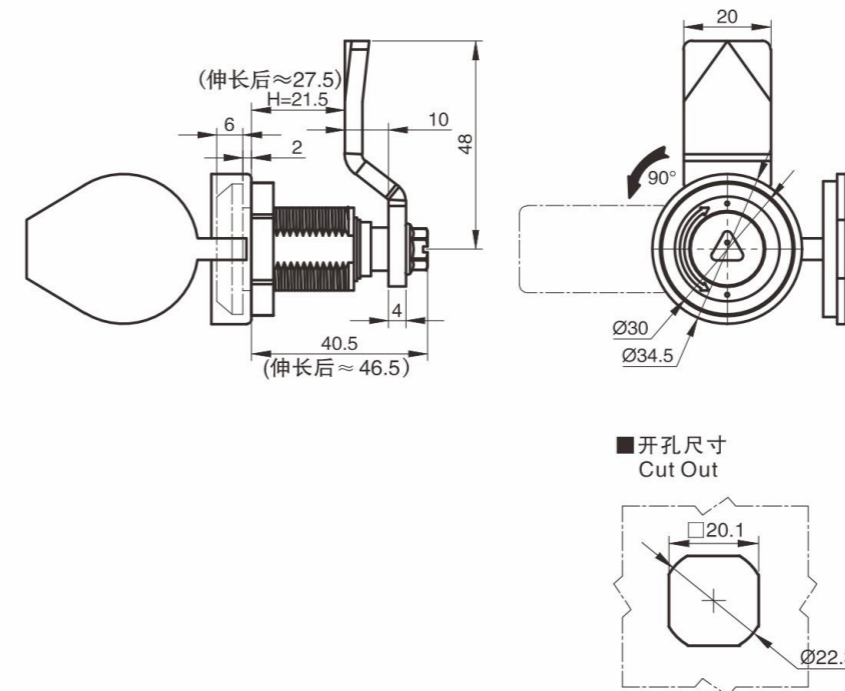
MS804



材质: 锌合金锁壳和锁芯, 碳钢螺栓  
表面处理: 镀亮铬, 配件镀蓝白锌  
结构说明: 旋转90° 实现开启或关闭  
Material: Zinc alloy lock shell and lock core, carbon steel bolt  
Surface treatment: bright chrome plating, accessories plated with blue and white zinc  
Structure description: Rotate 90° to open or close

铰链系列  
搭扣锁  
不锈钢系列  
密码锁  
附件

MS816



材质: 锌合金主体、镀锌锁舌  
表面处理: 铬、黑  
打开方式: 左旋约225° (MS816左旋180°)  
适用门板: 厚度≤8mm  
钥匙: 默认无钥匙, 可选配  
备注: 压缩式门锁, 压缩量≈7mm  
Material: Zinc alloy body, galvanized lock tongue  
Surface treatment: chromium, black  
Opening method: Left turn approximately 225° (MS816 left turn 180°)  
Applicable door panel: thickness ≤ 8mm  
Key: default keyless, optional  
Note: Compression type door lock, compression amount ≈ 7mm

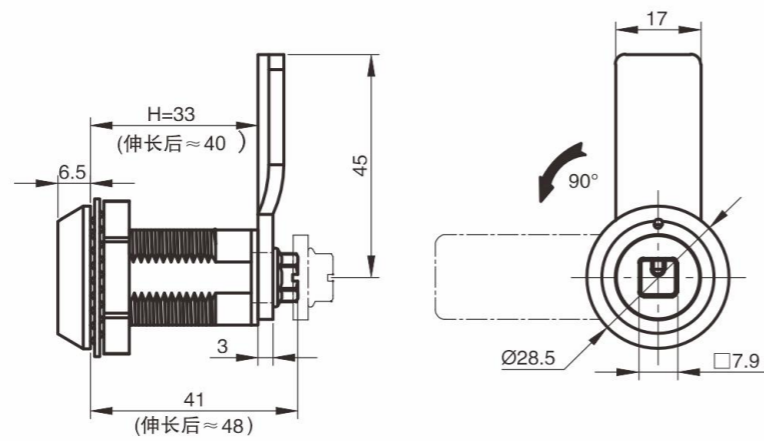
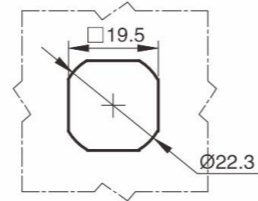
Rod Control Lock  
 连杆锁

 Plane Lock  
 平面锁

 Handle Lock  
 执手锁

 Handle  
 拉手

 Cam lock  
 转舌锁

**MS816-1**

 ■开孔尺寸  
 Cut Out


材质: 锌合金主体、镀锌锁舌  
 表面处理: 铬、黑  
 打开方式: 左旋约225° (MS816左旋180°)  
 适用门板: 厚度≤8mm  
 钥匙: 默认无钥匙, 可选配  
 备注: 压缩式门锁, 压缩量≈7mm  
 Material: Zinc alloy body, galvanized lock tongue  
 Surface treatment: chromium, black  
 Opening method: Left turn approximately 225° (MS816 left turn 180°)  
 Applicable door panel: thickness ≤ 8mm  
 Key: default keyless, optional  
 Note: Compression type door lock, compression amount ≈ 7mm

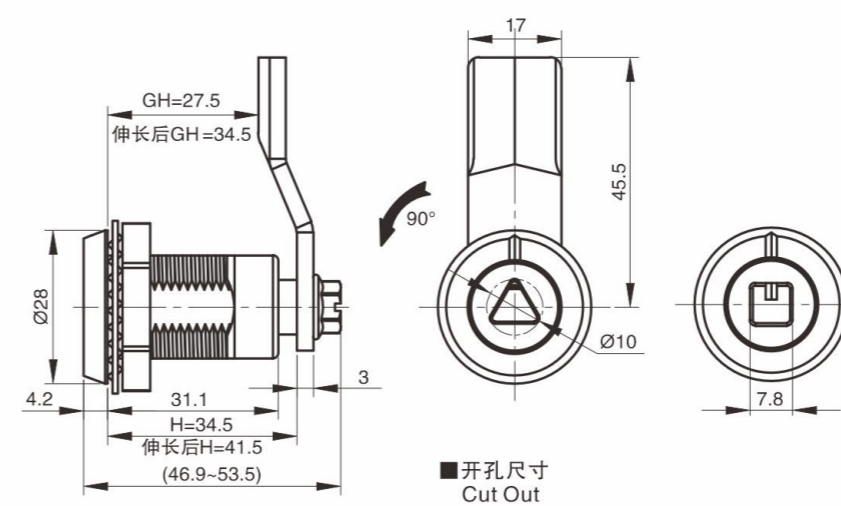
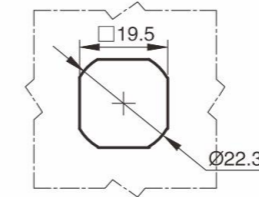
 Rod Control Lock  
 连杆锁

 Plane Lock  
 平面锁

 Handle Lock  
 执手锁

 Handle  
 拉手

 Cam lock  
 转舌锁

**MS816-4**

 ■开孔尺寸  
 Cut Out


材质: 锌合金主体、镀锌锁舌  
 表面处理: 铬、黑  
 打开方式: 左旋约180°  
 适用门板: 厚度≤12mm  
 钥匙: 默认无钥匙, 可选配  
 备注: 压缩式门锁, 压缩量≈7mm  
 Material: Zinc alloy body, galvanized lock tongue  
 Surface treatment: chromium, black  
 Opening method: Left turn approximately 180°  
 Applicable door panel: thickness ≤ 12mm  
 Key: default keyless, optional  
 Note: Compression type door lock, compression amount ≈ 7mm

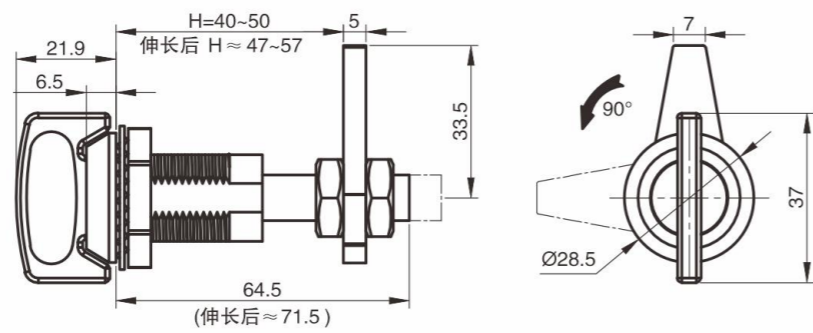
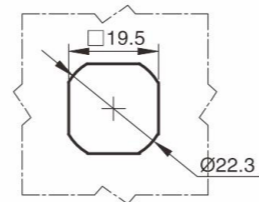
 Hinge series  
 铰链系列

 Buckle Lock  
 搭扣锁

 Stainless steel series  
 不锈钢系列

 Combination lock  
 密码锁

 Accessories  
 附件

**MS816-3**

 ■开孔尺寸  
 Cut Out


材质: 锌合金主体、镀锌锁舌  
 表面处理: 铬、黑  
 打开方式: 左旋约225° (MS816左旋180°)  
 适用门板: 厚度≤8mm  
 钥匙: 默认无钥匙, 可选配  
 备注: 压缩式门锁, 压缩量≈7mm  
 Material: Zinc alloy body, galvanized lock tongue  
 Surface treatment: chromium, black  
 Opening method: Left turn approximately 225° (MS816 left turn 180°)  
 Applicable door panel: thickness ≤ 8mm  
 Key: default keyless, optional  
 Note: Compression type door lock, compression amount ≈ 7mm

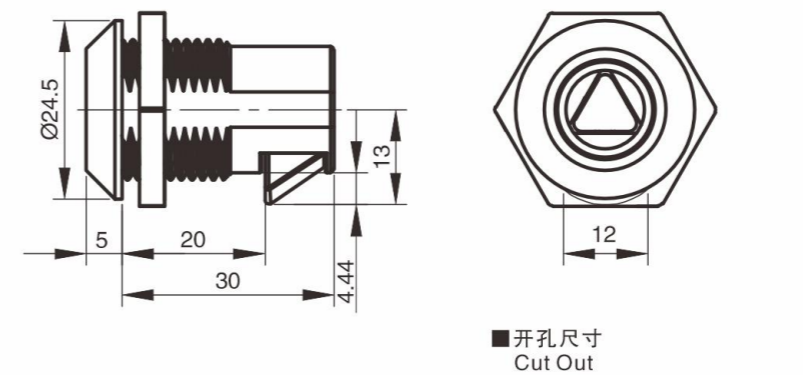
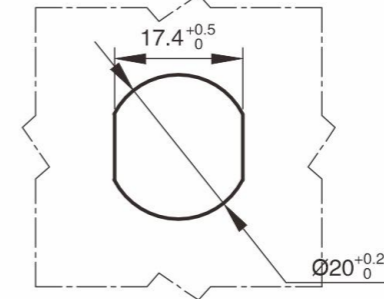
 Hinge series  
 铰链系列

 Buckle Lock  
 搭扣锁

 Stainless steel series  
 不锈钢系列

 Combination lock  
 密码锁

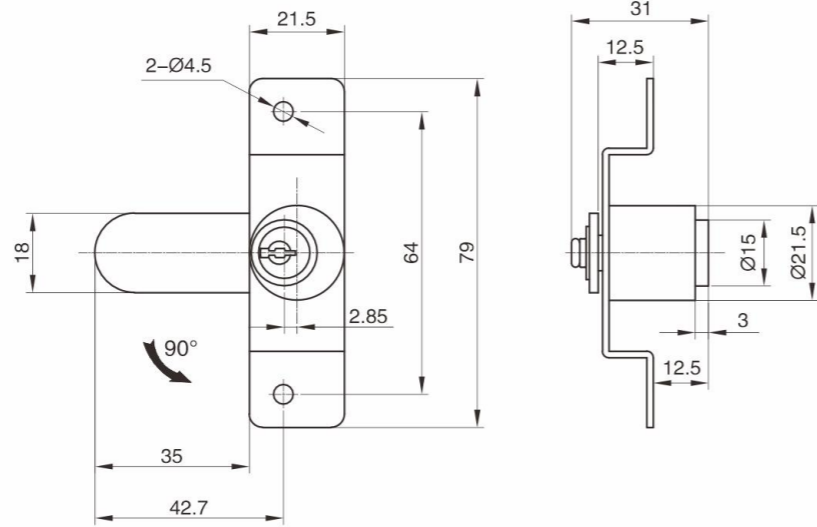
 Accessories  
 附件

**MS826-3**

 ■开孔尺寸  
 Cut Out


材质: 锌合金主体  
 表面处理: 铬  
 打开方式: 右旋60°, 自复位  
 功能: 拧动钥匙后锁舌完全缩回锁体, 松开钥匙, 锁舌自动弹出  
 钥匙: 默认无钥匙, 可选配  
 Material: Zinc alloy body  
 Surface treatment: Chromium  
 Opening method: Rotate 60° to the right, self resetting  
 Function: After turning the key, the lock tongue fully retracts into the lock body. When the key is released, the lock tongue automatically pops out  
 Key: default keyless, optional

连杆锁  
平面锁  
执手锁  
拉手

DT101



材质: 锌合金主体, 碳钢配件  
表面处理: 镀铬, 配件镀蓝白锌  
结构说明: 旋转90° 实现开启或关闭  
Material: Zinc alloy body, carbon steel fittings  
Surface treatment: chrome plating, accessories plated with blue and white zinc  
Structure description: Rotate 90° to open or close

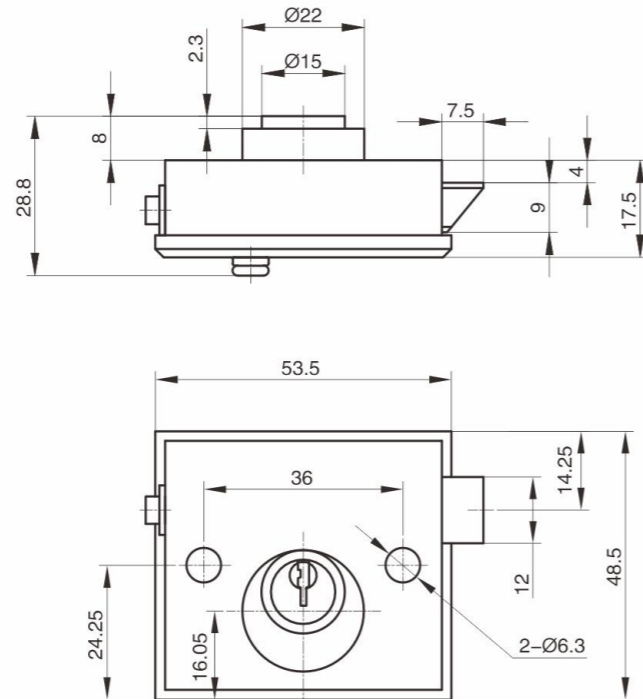
转舌锁

铰链系列

DT102



小电梯锁

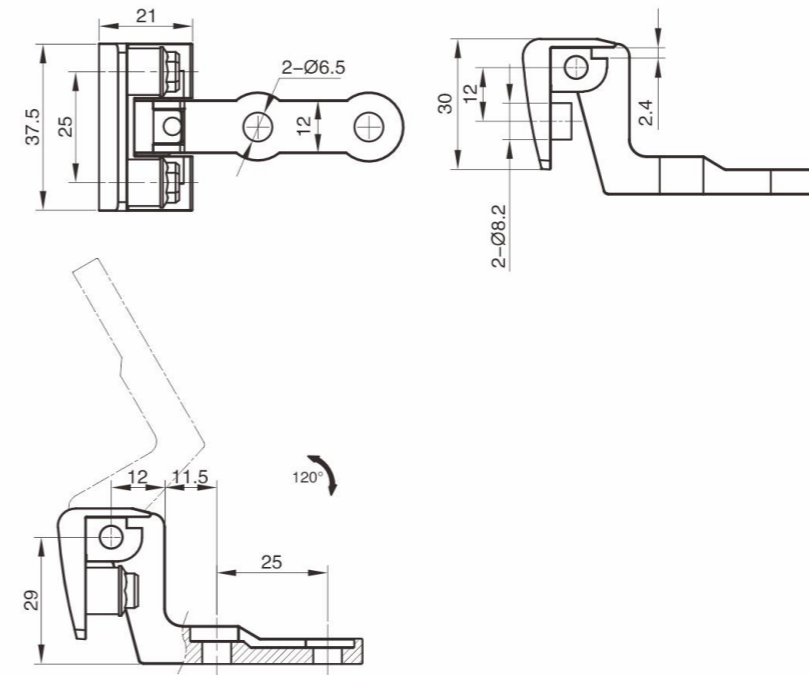


材质: 锌合金主体, 碳钢配件  
表面处理: 镀铬, 配件镀蓝白锌  
结构说明: 旋转90° 实现开启或关闭  
Material: Zinc alloy body, carbon steel fittings  
Surface treatment: chrome plating, accessories plated with blue and white zinc  
Structure description: Rotate 90° to open or close

附件

连杆锁  
平面锁  
执手锁  
拉手

CL08

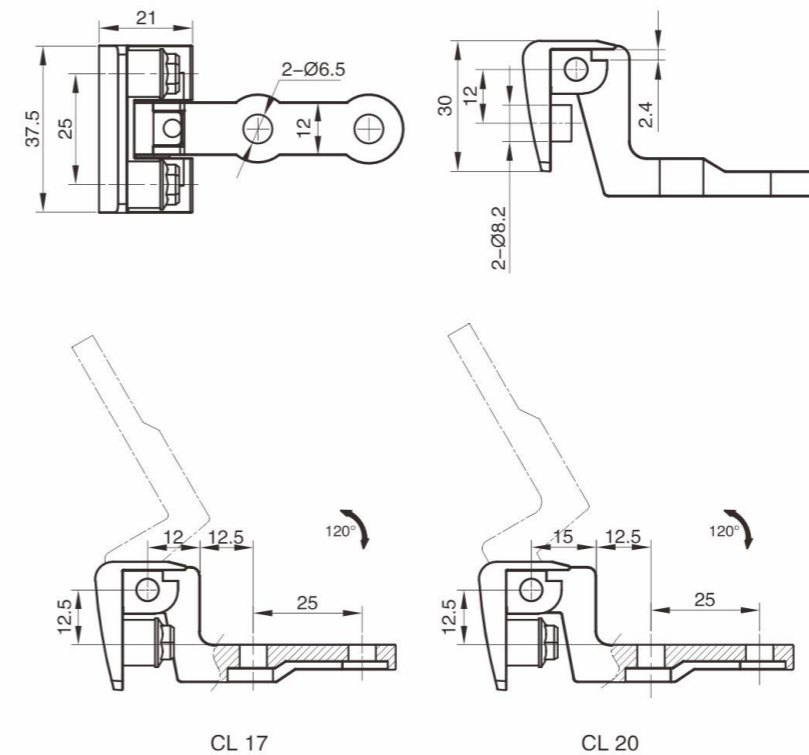


材质: 锌合金主体, 碳钢销子  
表面处理: 黑、皱纹  
旋转角度: 约120°  
适用门板: 厚度2.0mm  
Material: Zinc alloy body, carbon steel pin  
Surface treatment: black, wrinkles  
Rotation angle: approximately 120°  
Applicable door panel: thickness 2.0mm

转舌锁

铰链系列

CL17/CL20



CL17



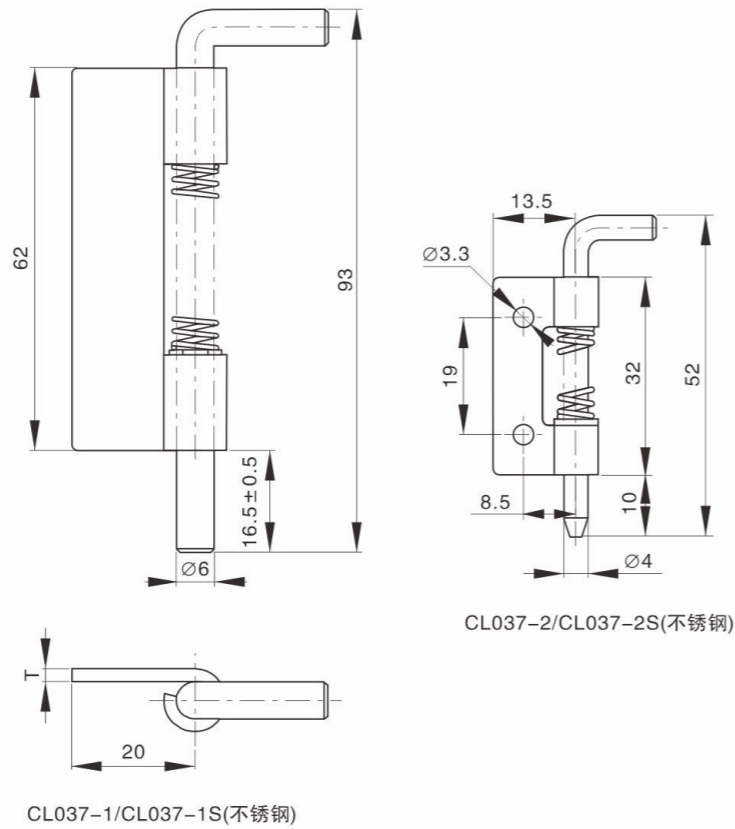
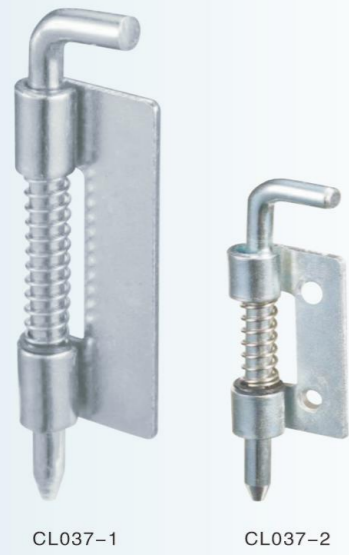
CL20

产品材质: 锌合金动铰链, A3钢静铰链, 销子  
表面处理: 喷塑黑  
Material: Zinc alloy moving hinge, A3 steel stationary hinge, pin  
Finish: Black powder coated;

附件

连杆锁  
平面锁  
执手锁  
拉手  
转舌锁

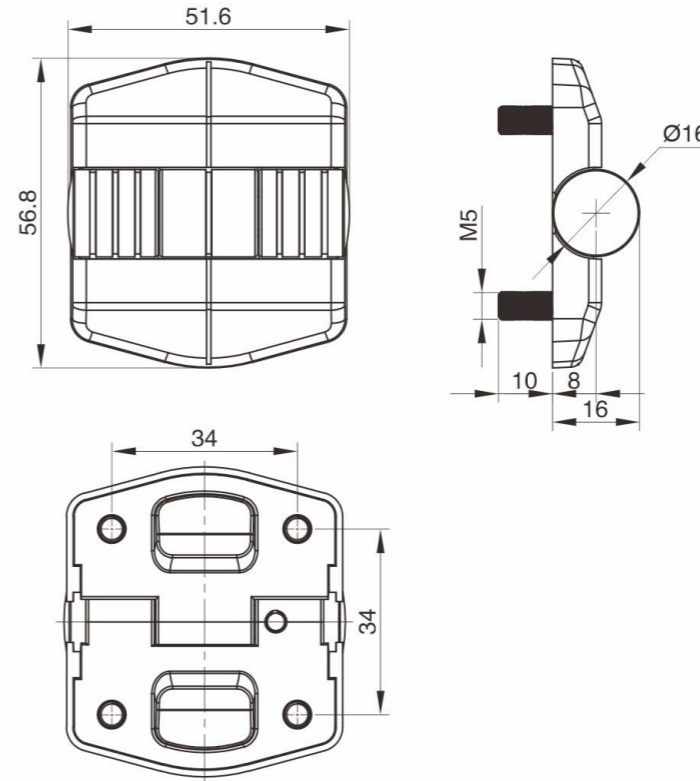
CL037



材质: A3钢铰链或SUS304  
表面处理: 镀蓝白锌 (SUS304: 本色)  
Material: Steel hinge or SUS304  
Finish: Zinc-plating (SUS304: Natural colour)

连杆锁  
平面锁  
执手锁  
拉手  
转舌锁

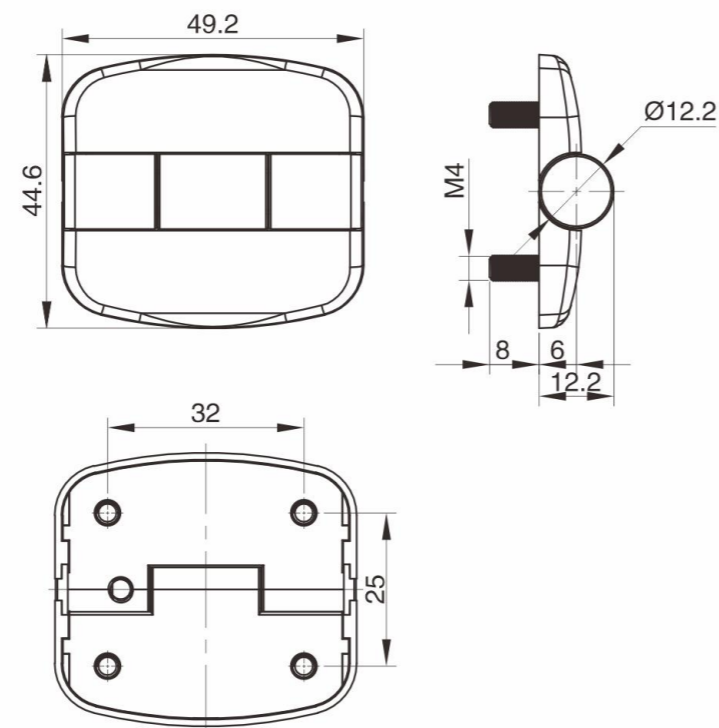
CL045



材质: 锌合金主体、碳钢销子、PA6面盖  
表面处理: 沙纹黑  
旋转角度: 约为180°  
Material: Zinc alloy body, carbon steel pin, PA6 cover  
Surface treatment: Sandprint black  
Rotation angle: approximately 180°

铰链系列  
搭扣锁  
不锈钢系列  
密码锁  
附件

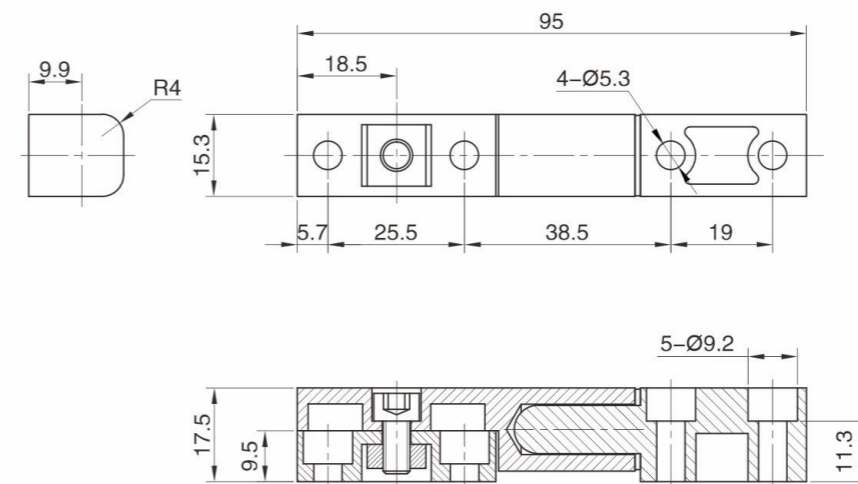
CL042



材质: 锌合金主体、碳钢销子、PA6面盖  
表面处理: 沙纹黑  
旋转角度: 约为180°  
Material: Zinc alloy body, carbon steel pin, PA6 cover  
Surface treatment: Sandprint black  
Rotation angle: approximately 180°

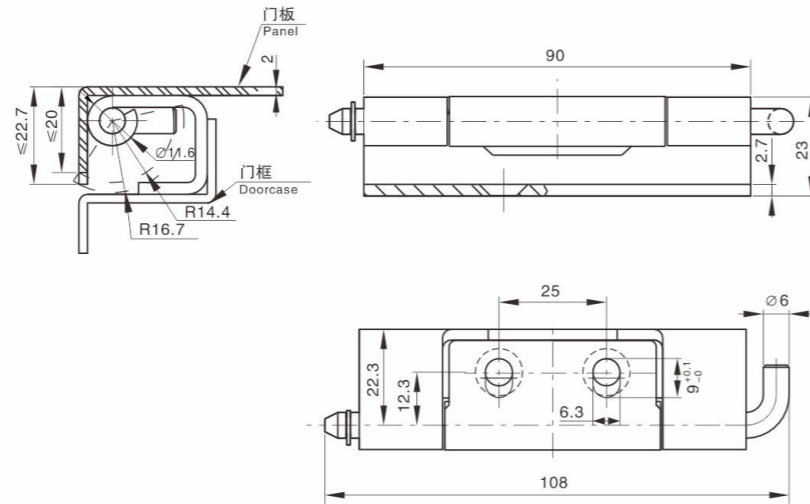
铰链系列  
搭扣锁  
不锈钢系列  
密码锁  
附件

CL075



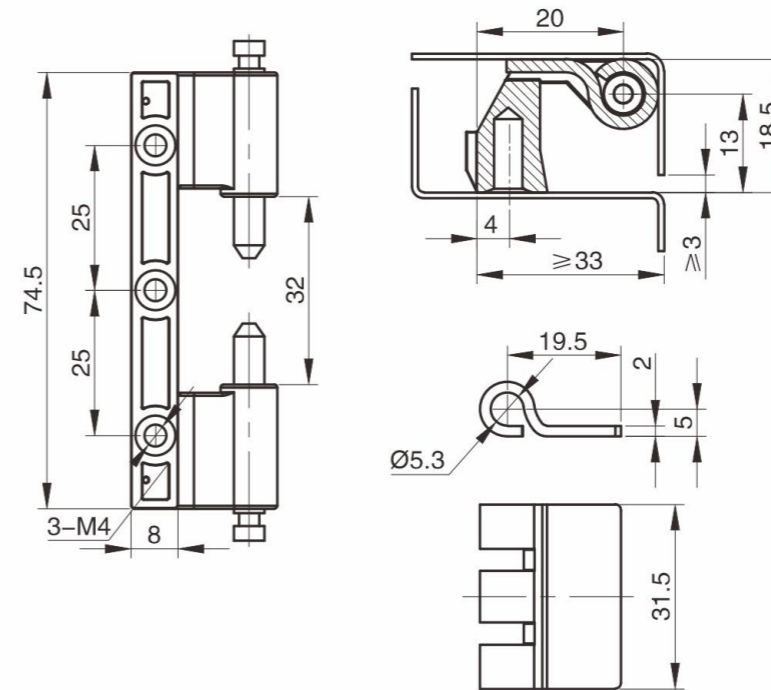
材质: 锌合金主体  
表面处理: 无光黑  
旋转角度: 约为180°  
Material: Zinc alloy body  
Surface treatment: Matte black  
Rotation angle: approximately 180°

CL082



材质: A3钢铰链  
表面处理: 镀蓝白锌  
Material: A3 steel hinge  
Finish: Zinc-plating

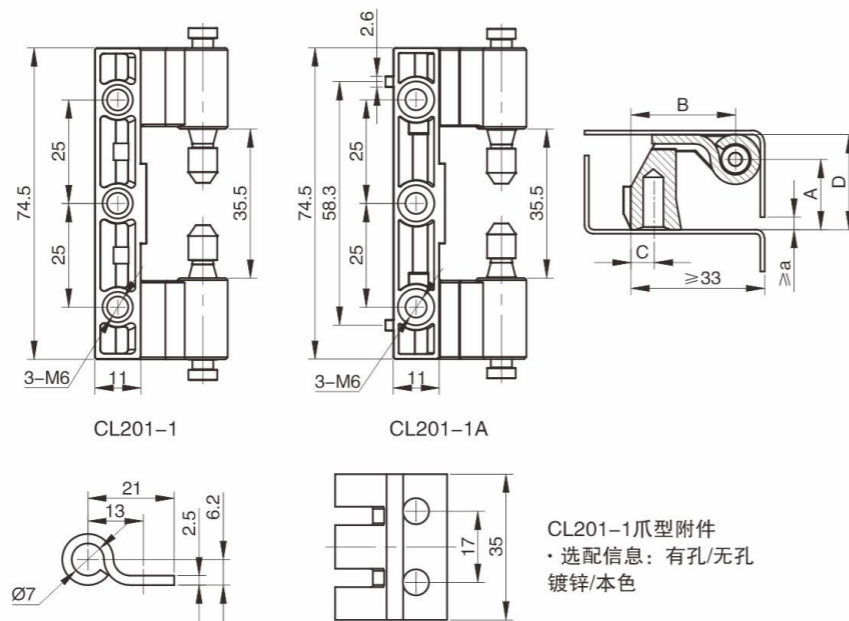
CL201-2



CL201-2爪型附件  
· 选配信息: 镀锌/本色

材质: 锌合金动铰链, A3钢销子  
表面处理: 喷塑黑  
Material: Zinc alloy moving hinge, A3 steel pin  
Finish: Black powder coated

CL201-1

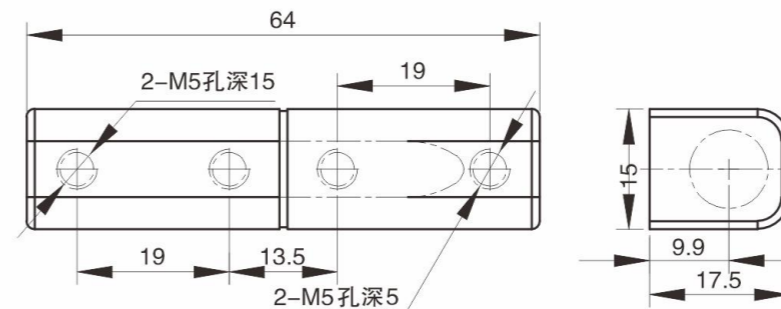


CL201-1爪型附件  
· 选配信息: 有孔/无孔  
镀锌/本色

产品型号 Model	基本尺寸 Dimensions				
	a	D	C	B	A
CL201-1	4	24	6	25	17.5
CL201-1A	4	24	6	25	17.5

材质: 锌合金动铰链, A3钢销子  
表面处理: 喷塑黑  
Material: Zinc alloy moving hinge, A3 steel pin  
Finish: Black powder coated

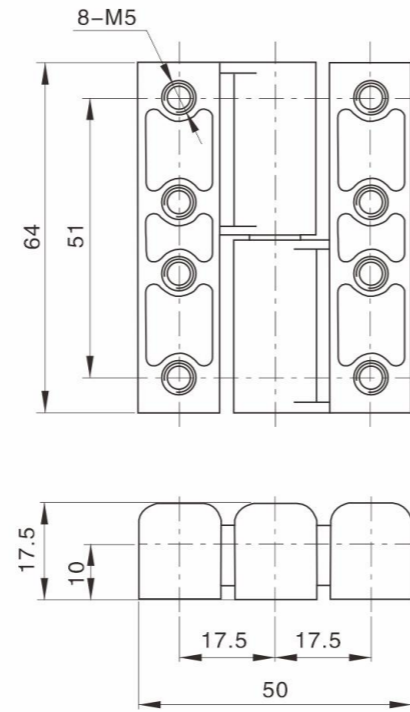
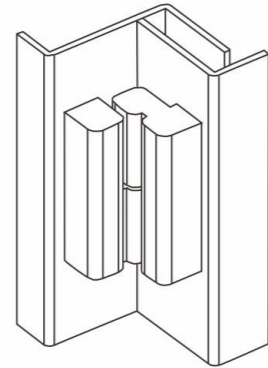
CL203-1



材质: 锌合金主体  
表面处理: 黑  
旋转角度: 约为180°  
Material: Zinc alloy body  
Surface treatment: Black  
Rotation angle: approximately 180°

Rod Control Lock  
连杆锁  
Plane Lock  
平面锁  
Handle Lock  
执手锁  
Handle  
拉手  
Cam lock  
转舌锁

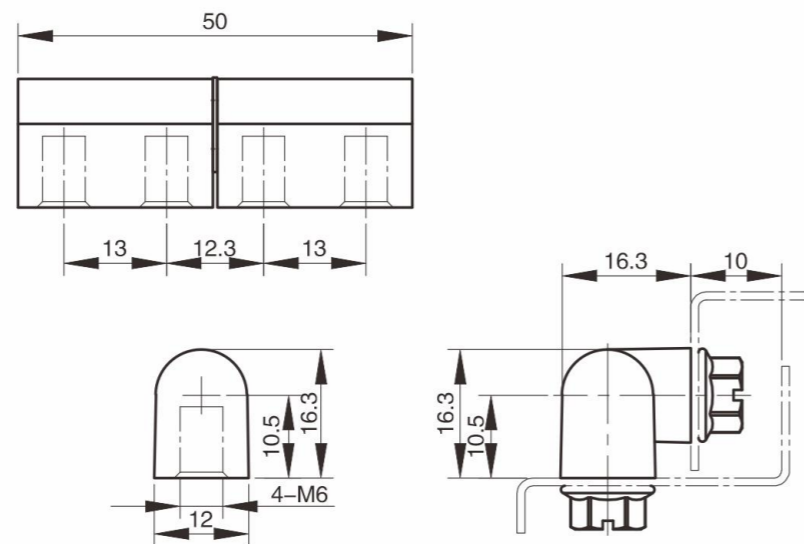
CL203-3R/L



材质：锌合金主体  
表面处理：黑  
旋转角度：约为180°  
Material: Zinc alloy body  
Surface treatment: Black  
Rotation angle: approximately 180°

Hinge series  
铰链系列  
Buckle Lock  
搭扣锁  
Stainless steel series  
不锈钢系列  
Combination lock  
密码锁  
Accessories  
附件

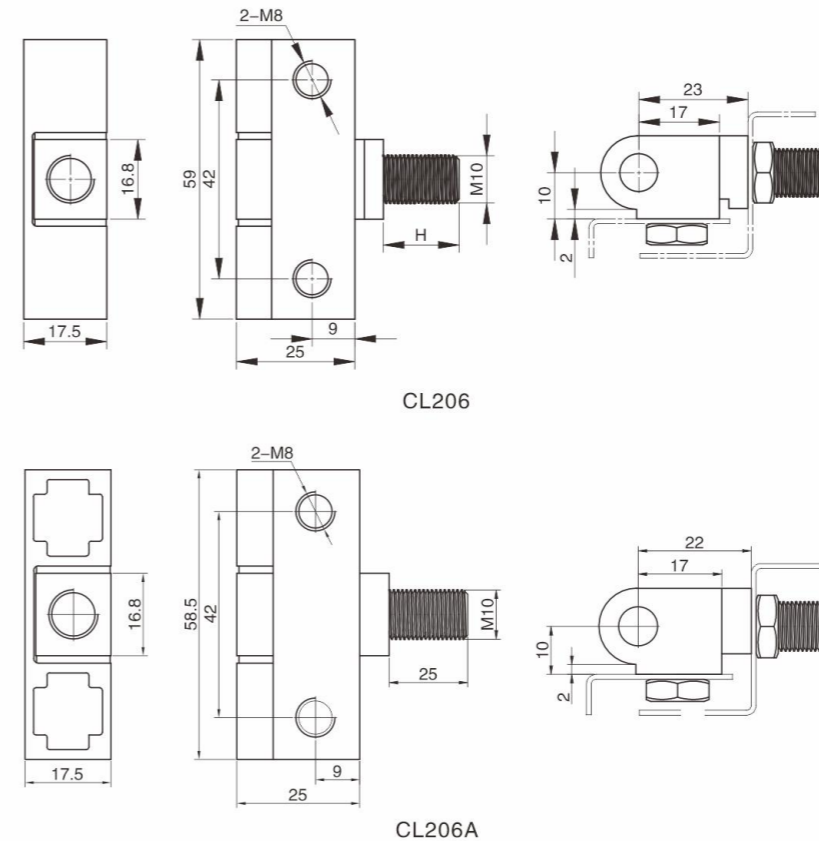
CL204-2



材质：锌合金主体、碳钢销子  
表面处理：铬  
旋转角度：约为180°  
Material: Zinc alloy body, carbon steel pin  
Surface treatment: Chromium  
Rotation angle: approximately 180°

Rod Control Lock  
连杆锁  
Plane Lock  
平面锁  
Handle Lock  
执手锁  
Handle  
拉手  
Cam lock  
转舌锁

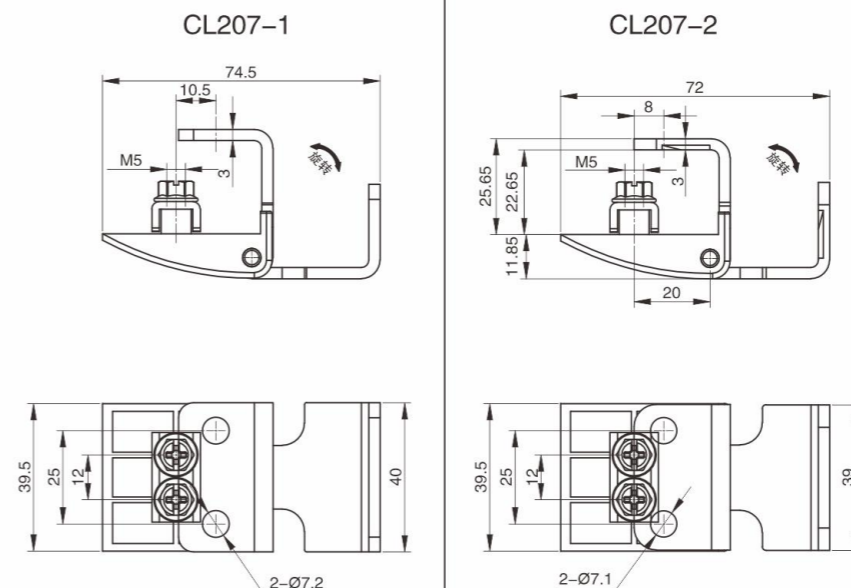
CL206



材质：锌合金外形、锌合金中芯或碳钢中芯  
表面处理：铬、蓝  
旋转角度：约为180°  
Material: Zinc alloy exterior, zinc alloy core, or carbon steel core  
Surface treatment: chromium, blue  
Rotation angle: approximately 180°

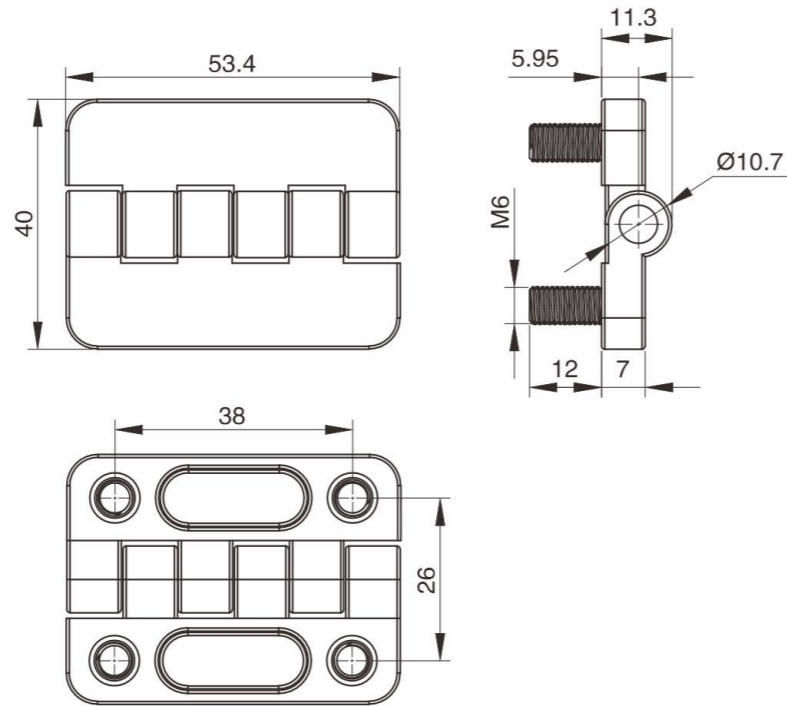
Hinge series  
铰链系列  
Buckle Lock  
搭扣锁  
Stainless steel series  
不锈钢系列  
Combination lock  
密码锁  
Accessories  
附件

CL207



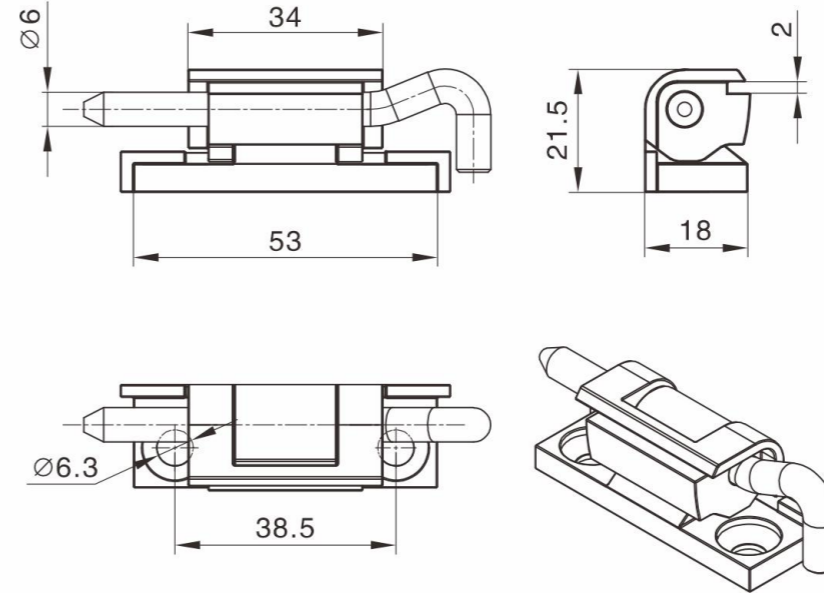
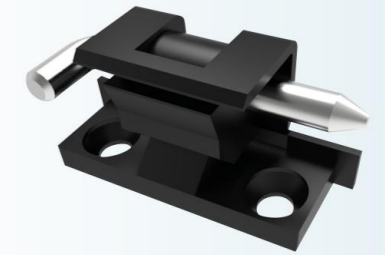
材质：锌合金主体、铁质基座、碳钢销子  
表面处理：无光黑、孔雀绿、浅绿  
旋转角度：约为180°  
Material: Zinc alloy body, iron base, carbon steel pin  
Surface treatment: Matte black, peacock green, light green  
Rotation angle: approximately 180°

CL209-1



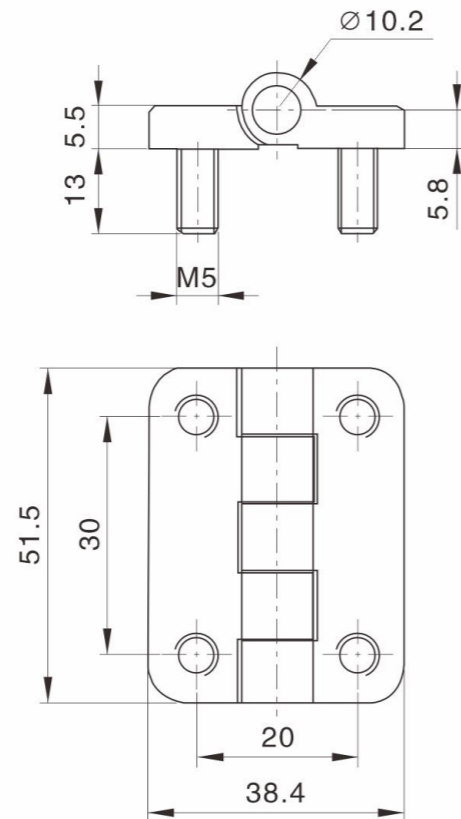
材质：锌合金主体、碳钢销子  
表面处理：黑、铬、亚光  
旋转角度：约为180°  
Material: Zinc alloy body, carbon steel pin  
Surface treatment: black, chromium, matte  
Rotation angle: approximately 180°

CL211-3



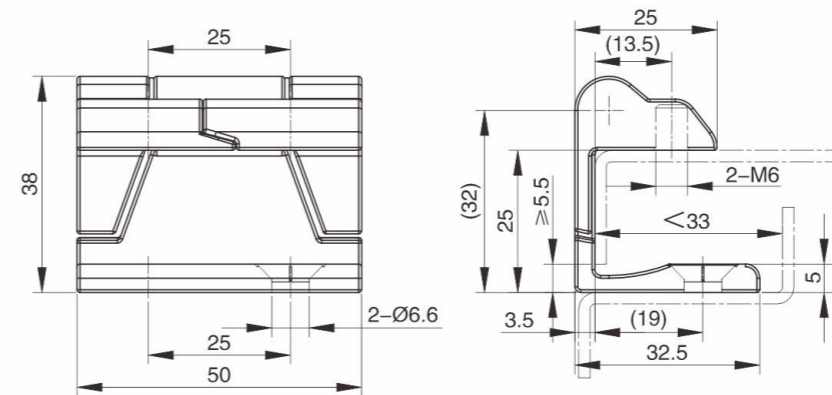
材质：锌合金主体、碳钢销子  
表面处理：黑  
旋转角度：约180°  
Material: Zinc alloy body, carbon steel pin  
Surface treatment: Black  
Rotation angle: approximately 180°

CL209-2



材质：锌合金主体、碳钢销子  
表面处理：黑、铬、亚光  
旋转角度：约为180°  
Material: Zinc alloy body, carbon steel pin  
Surface treatment: black, chromium, matte  
Rotation angle: approximately 180°

CL213-1



材质：锌合金主体、黄铜垫圈、碳钢销子  
表面处理：砂纹黑  
旋转角度：约为180°  
Material: Zinc alloy body, brass washer, carbon steel pin  
Surface treatment: Sandprint black  
Rotation angle: approximately 180°

连杆锁  
Rod Control Lock

平面锁  
Plane Lock

执手锁  
Handle Lock

拉手  
Handle

转舌锁  
Cam lock

铰链系列  
Hinge series

搭扣锁  
Buckle Lock

不锈钢系列  
Stainless steel series

密码锁  
Combination lock

附件  
Accessories

连杆锁  
Rod Control Lock

平面锁  
Plane Lock

执手锁  
Handle Lock

拉手  
Handle

转舌锁  
Cam lock

铰链系列  
Hinge series

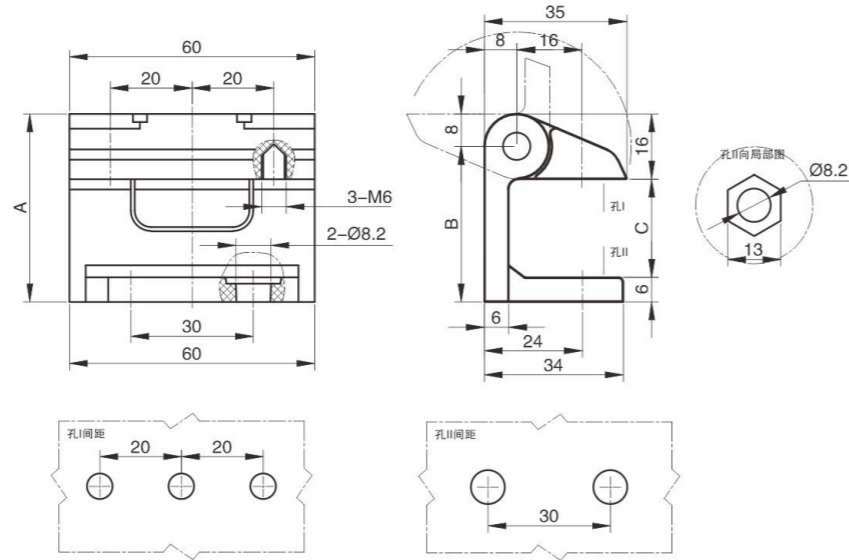
搭扣锁  
Buckle Lock

不锈钢系列  
Stainless steel series

密码锁  
Combination lock

附件  
Accessories

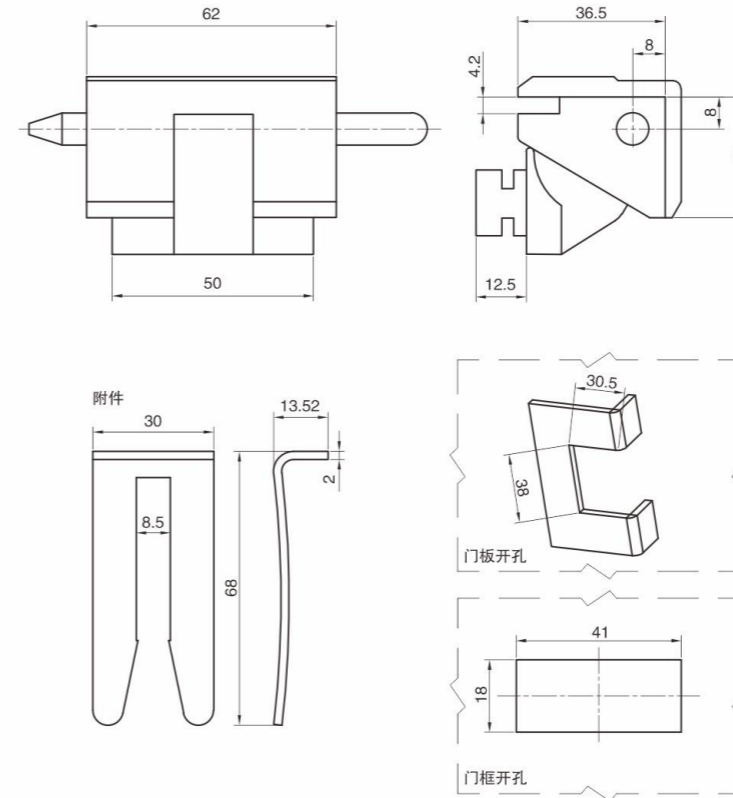
CL213-2



材质：锌合金主体/镀锌销子  
表面处理：蓝、灰、无光黑  
旋转角度：约为180°  
Material: Zinc Alloy Body/Galvanized Pin  
Surface treatment: blue, gray, matte black  
Rotation angle: approximately 180°

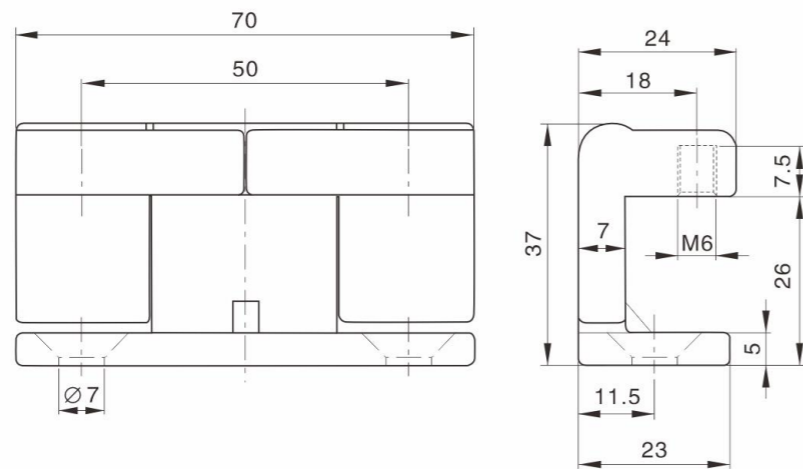
产品型号 Model	基本尺寸 Dimensions		
	C	B	A
CL213-2	29	43	51
CL213-2-5	24	38	46

CL216



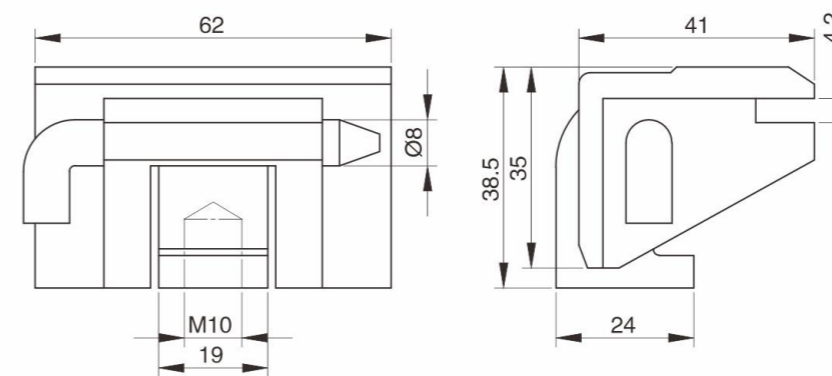
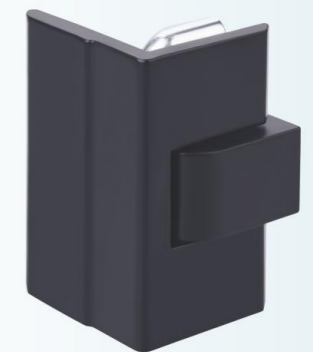
材质：锌合金主体、碳钢销子和附件  
表面处理：黑、蓝、亮光灰  
适用门板：厚度=4mm  
旋转角度：约为180°  
Material: Zinc alloy body, carbon steel pin and accessories  
Surface treatment: black, blue, glossy gray  
Applicable door panel: thickness=4mm  
Rotation angle: approximately 180°

CL213-3



产品材质：锌合金动、静铰链，A3钢销子；  
表面处理：喷塑黑  
Material: Zinc alloy dynamic and static hinge, A3 steel pin;  
Finish: Black powder coated;

CL217



材质：锌合金主体、碳钢销子  
表面处理：黑、蓝、亮光灰  
旋转角度：约为180°  
Material: Zinc alloy body, carbon steel pin  
Surface treatment: black, blue, glossy gray  
Rotation angle: approximately 180°

连杆锁  
Rod Control Lock

平面锁  
Plane Lock

执手锁  
Handle Lock

拉手  
Handle

转舌锁  
Cam lock

铰链系列  
Hinge series

搭扣锁  
Buckle Lock

不锈钢系列  
Stainless steel series

密码锁  
Combination lock

附件  
Accessories

连杆锁  
Rod Control Lock

平面锁  
Plane Lock

执手锁  
Handle Lock

拉手  
Handle

转舌锁  
Cam lock

铰链系列  
Hinge series

搭扣锁  
Buckle Lock

不锈钢系列  
Stainless steel series

密码锁  
Combination lock

附件  
Accessories

Rod Control Lock  
平面锁  
执手锁  
拉手  
转舌锁  
铰链系列  
搭扣锁  
不锈钢系列  
密码锁  
附件

CL218系列



CL218-40(CL4040)



CL218-50(CL5050)



CL218-60(CL6060)



CL218-40A(CL4040A)

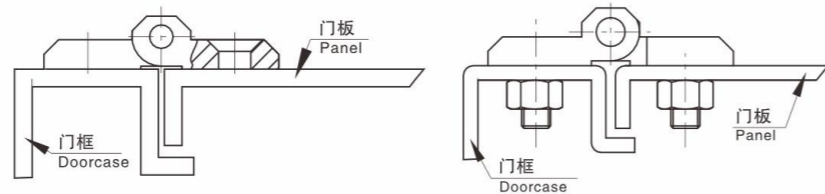
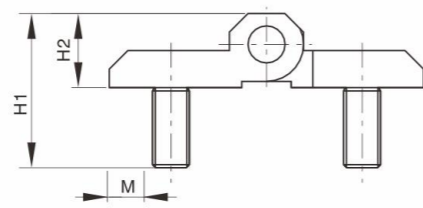
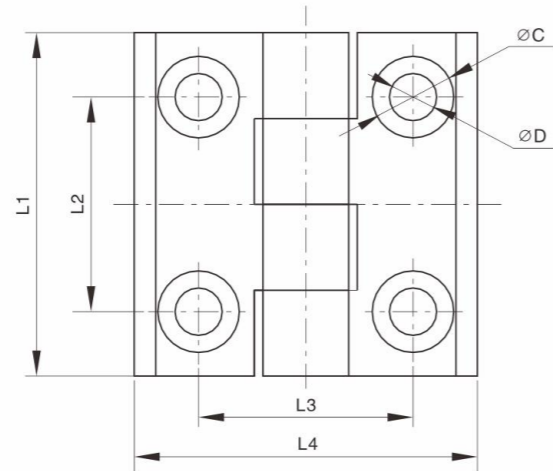
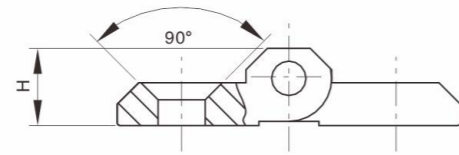


CL218-50A(CL5050A)

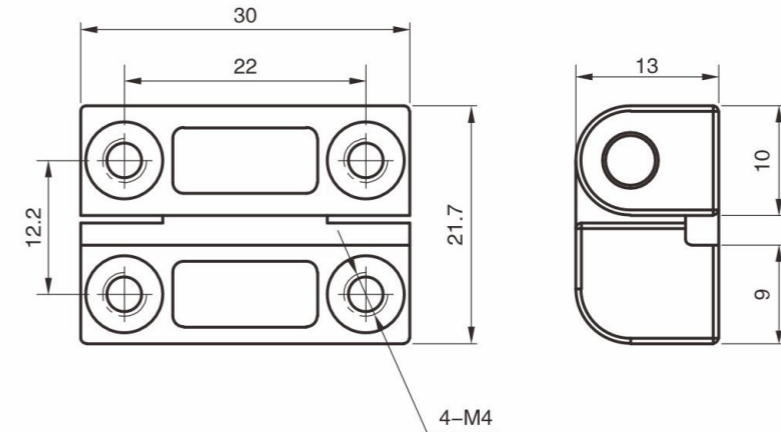


CL218-60A(CL6060A)

材质：锌合金动铰链，A3钢销子  
表面处理：喷塑黑  
Material: Zinc alloy moving hinge, A3 steel pin  
Finish: Black powder coated



基本尺寸 Dimensions										产品型号及特性 Model
L1	L2	L3	L4	H	ØC	ØD	H1	H2	M	
40	25	25	40	9	9.5	5.5	21	9	5	CL218-40/40A
51	30	30	51	12	12.5	6	25	12	6	CL218-50/50A
60	36	36	60	15	16.5	8.5	29	15	8	CL218-60/60A

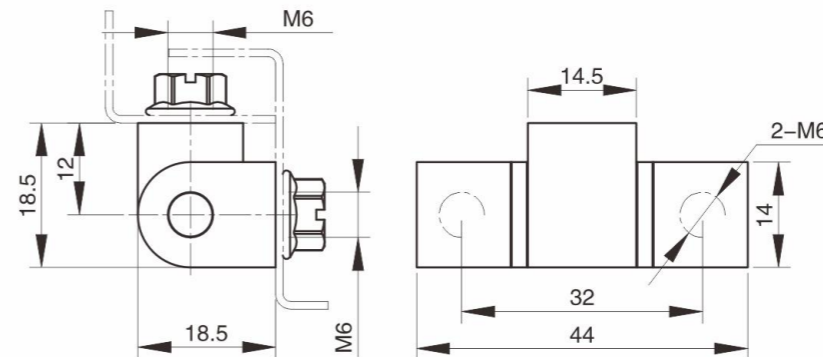


CL219-3



材质：锌合金主体、碳钢销子  
表面处理：黑、亚光  
旋转角度：约为180°  
Material: Zinc alloy body, carbon steel pin  
Surface treatment: black, matte  
Rotation angle: approximately 180°

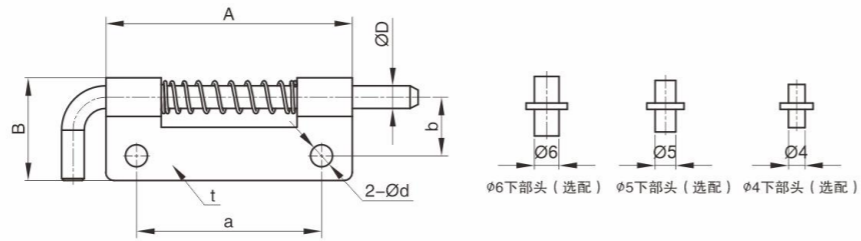
CL222



材质：锌合金主体、碳钢销子  
表面处理：铬  
旋转角度：约为180°  
Material: Zinc alloy body, carbon steel pin  
Surface treatment: Chromium  
Rotation angle: approximately 180°

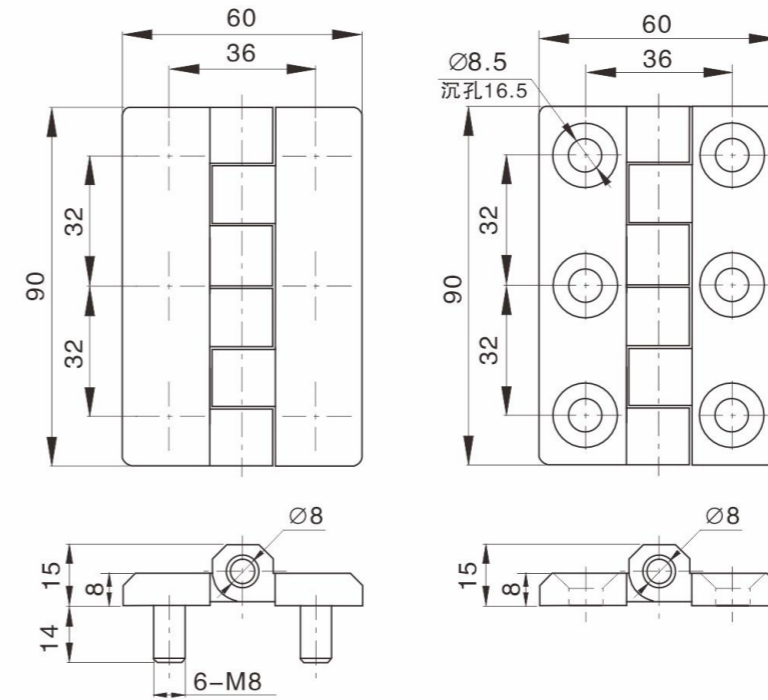
Rod Control Lock  
平面锁  
执手锁  
拉手  
转舌锁  
铰链系列  
搭扣锁  
不锈钢系列  
密码锁  
附件

CL225系列



产品型号及特性 Model	基本尺寸 Dimensions						
	t	d	b	a	D	B	A
CL225-1带孔With hole(左门组装型Left-Hand (LH) Assembly)	1.5	5.5	14.5	45	5.5	25	61
CL225-1带孔With hole(右门组装型Right-Hand (RH) Assembly)	1.5	5.5	14.5	45	5.5	25	61
CL225-1不带孔Without hole(左门组装型Left-Hand (LH) Assembly)	1.5	/	/	/	5.5	25	61
CL225-1不带孔Without hole(右门组装型Right-Hand (RH) Assembly)	1.5	/	/	/	5.5	25	61
CL225-2带孔With hole(左门组装型Left-Hand (LH) Assembly)	1.2	4.5	13	35	4.5	21	50
CL225-2带孔With hole(右门组装型Right-Hand (RH) Assembly)	1.2	4.5	13	35	4.5	21	50
CL225-2不带孔Without hole(左门组装型Left-Hand (LH) Assembly)	1.2	/	/	/	4.5	21	50
CL225-2不带孔Without hole(右门组装型Right-Hand (RH) Assembly)	1.2	/	/	/	4.5	21	50
CL225-3(左门组装型Left-Hand (LH) Assembly)	1.2	3.2	9	19	4	17	32
CL225-3(右门组装型Right-Hand (RH) Assembly)	1.2	3.2	9	19	4	17	32
CL225-4(左门组装型Left-Hand (LH) Assembly)	1.8	5.2	9	45	5	18.5	60
CL225-4(右门组装型Right-Hand (RH) Assembly)	1.8	5.2	9	45	5	18.5	60

材质: 铁, 不锈钢  
表面处理: 不锈钢本色, 电镀彩锌, 电镀白锌, 镀镍  
Material: Iron, Stainless Steel  
Surface treatment: Stainless steel natural color, electroplated color zinc, electroplated white zinc, nickel plating

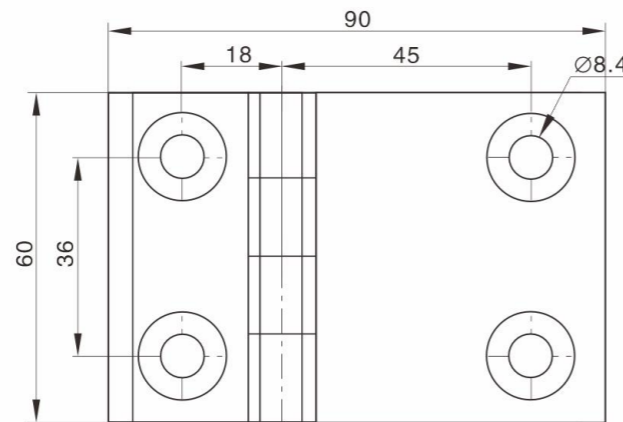
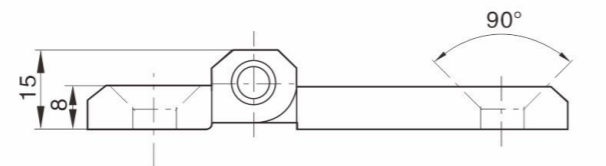


CL226-5

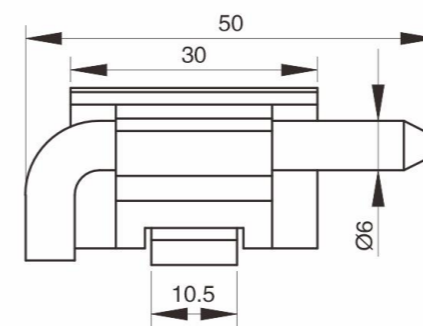
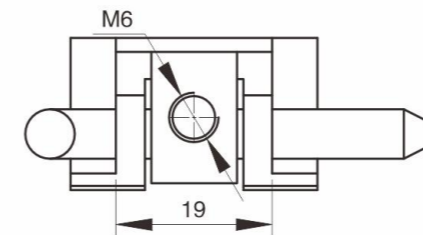


材质: 锌合金动铰链, A3钢或不锈钢螺栓、销子 (SUS304)  
表面处理: 喷塑黑(SUS304: 抛光)  
Material: Zinc alloy moving hinge, A3 steel or stainless steel bolts and pins (SUS304)  
Surface treatment: Powder coating black (SUS304: Polished)

CL226-4



材质: 锌合金动铰链, A3钢销子 (SUS304)  
表面处理: 喷塑黑  
Material: Zinc alloy moving hinge, A3 steel pin (SUS304)  
Finish: Black powder coated



型号 Model	适用门板 Applicable door panels
CL230-1.5	适配1.5MM门板
CL230-2.0	适配2.0MM门板

CL230系列



材质: 锌合金主体、碳钢销子  
表面处理: 黑、铬  
旋转角度: 约为180°  
Material: Zinc alloy body, carbon steel pin  
Surface treatment: black, chromium  
Rotation angle: approximately 180°

连杆锁  
Rod Control Lock

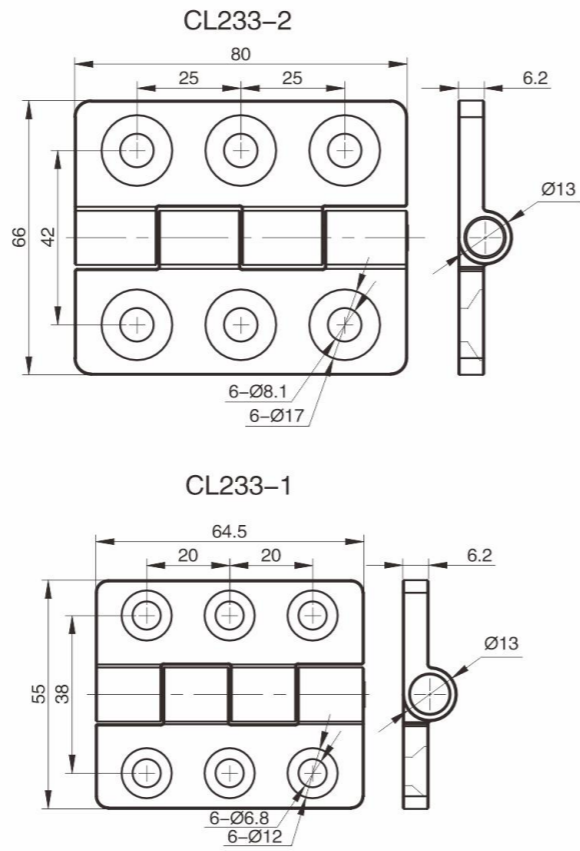
平面锁  
Plane Lock

执手锁  
Handle Lock

拉手  
Handle

转舌锁  
Cam lock

CL233-1



材质：锌合金主体、不锈钢销子  
表面处理：黑  
旋转角度：约为180°  
Material: Zinc alloy body, stainless steel pin  
Surface treatment: Black  
Rotation angle: approximately 180°

铰链系列  
Hinge series

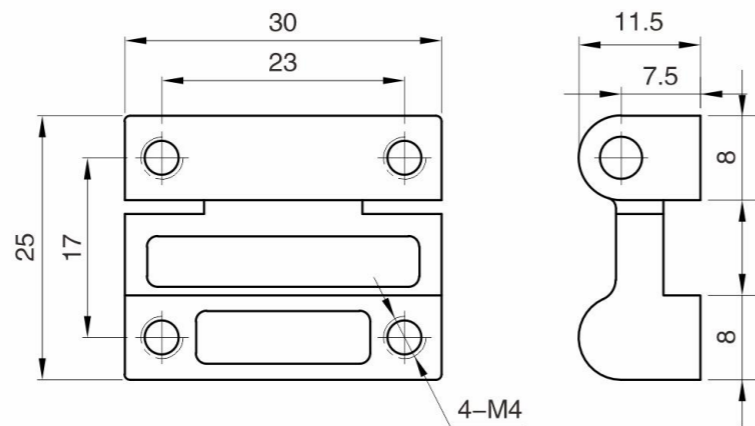
搭扣锁  
Buckle Lock

不锈钢系列  
Stainless steel series

密码锁  
Combination lock

附件  
Accessories

CL234



材质：锌合金动铰链，A3钢销子  
表面处理：喷塑黑  
Material: Zinc die-casting hinge, steel pin  
Finish: Black powder coated;

连杆锁  
Rod Control Lock

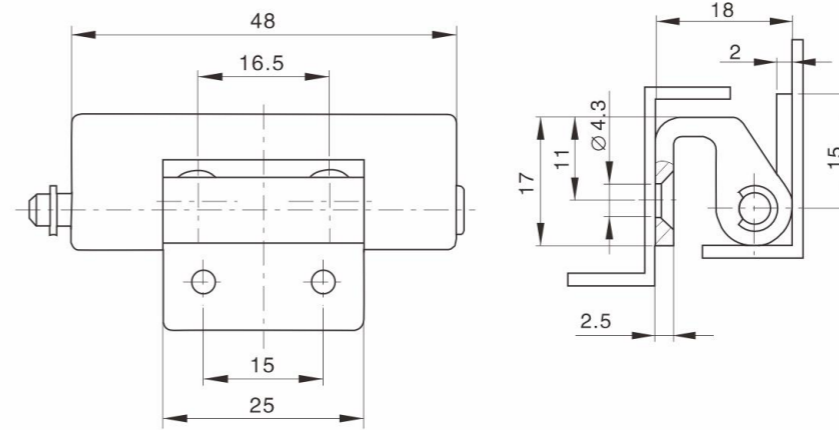
平面锁  
Plane Lock

执手锁  
Handle Lock

拉手  
Handle

转舌锁  
Cam lock

CL237-1



材质：锌合金动铰链，A3钢销子  
表面处理：镀沙铬  
Material: Zinc alloy moving hinge, A3 steel pin  
Surface treatment: Sand chrome plating

铰链系列  
Hinge series

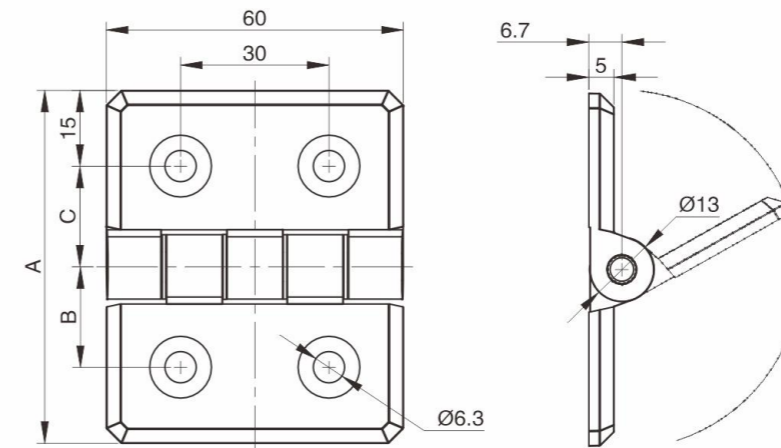
搭扣锁  
Buckle Lock

不锈钢系列  
Stainless steel series

密码锁  
Combination lock

附件  
Accessories

CL6060-30系列



产品型号 Model	基本尺寸 Dimensions		
	A	B	C
CL6060-30	60	15	15
CL6065	65	20	15
CL6070-40	70	20	20

材质：锌合金主体/304不锈钢销子  
表面处理：喷无光黑、镀沙铬、镀铬  
旋转角度：约为180°  
Material: Zinc alloy body/304 stainless steel pin  
Surface treatment: Spray matte black, sand chromium plating, bright chromium plating  
Rotation angle: approximately 180°

连杆锁  
Rod Control Lock

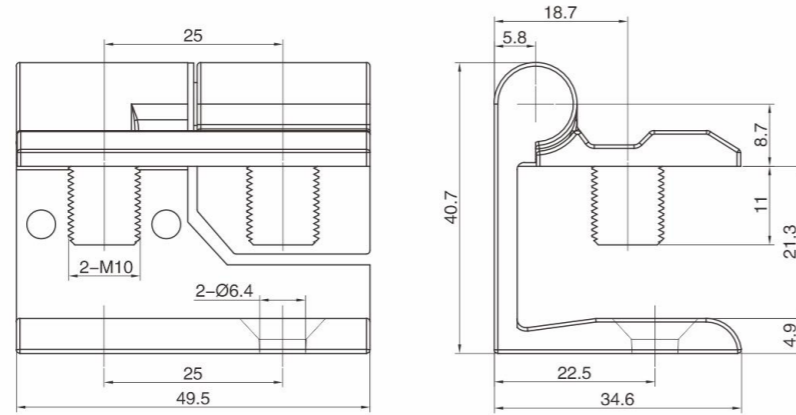
平面锁  
Plane Lock

执手锁  
Handle Lock

拉手  
Handle

转舌锁  
Cam lock

HL006-R/L



材质: 锌合金主体、碳钢销子  
表面处理: 黑  
旋转角度: 约为180°  
Material: Zinc alloy body, carbon steel pin  
Surface treatment: Black  
Rotation angle: approximately 180°

铰链系列  
Hinge series

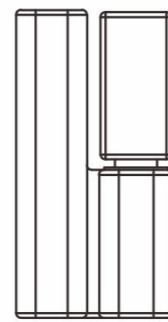
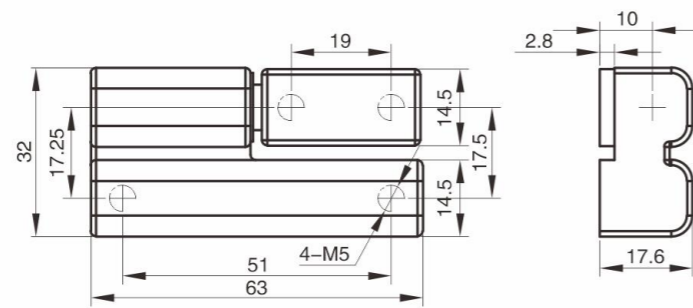
搭扣锁  
Buckle Lock

不锈钢系列  
Stainless steel series

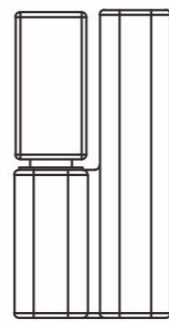
密码锁  
Combination lock

附件  
Accessories

HL019R/L



左开门



右开门

材质: 锌合金主体(动、静铰链)  
表面处理: 无光黑  
旋转角度: 约为180°  
Material: Zinc alloy body (dynamic and static hinges)  
Surface treatment: Matte black  
Rotation angle: approximately 180°

连杆锁  
Rod Control Lock

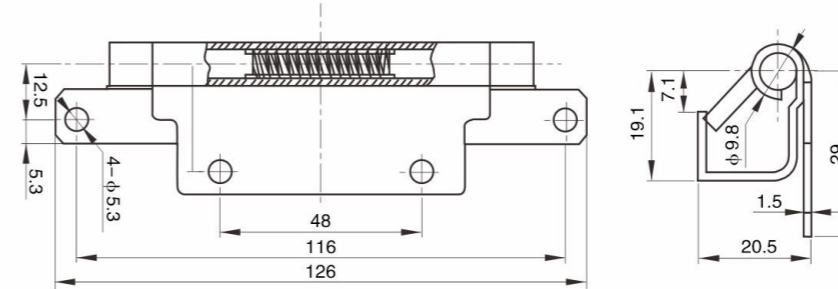
平面锁  
Plane Lock

执手锁  
Handle Lock

拉手  
Handle

转舌锁  
Cam lock

HL034



材质: 锌合金锁壳、手柄、镀锌锁片  
表面处理: 镀亮铬  
适用门板厚度: 1-4mm  
备注: 压缩门锁  
Material: Zinc alloy lock body, handle, galvanized lock plate  
Finish: Right chrome plating  
Panel thickness: 1-4mm  
Remark: Compression Latches

铰链系列  
Hinge series

搭扣锁  
Buckle Lock

不锈钢系列  
Stainless steel series

密码锁  
Combination lock

附件  
Accessories

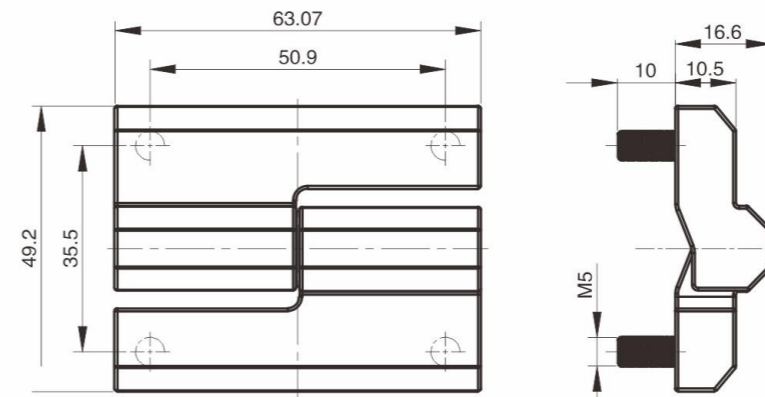
HL093



HL093R



HL093L



材质: 锌合金主体、碳钢销子  
表面处理: 无光黑  
旋转角度: 约为180°  
Material: Zinc alloy body, carbon steel pin  
Surface treatment: Matte black  
Rotation angle: approximately 180°

连杆锁  
Rod Control Lock

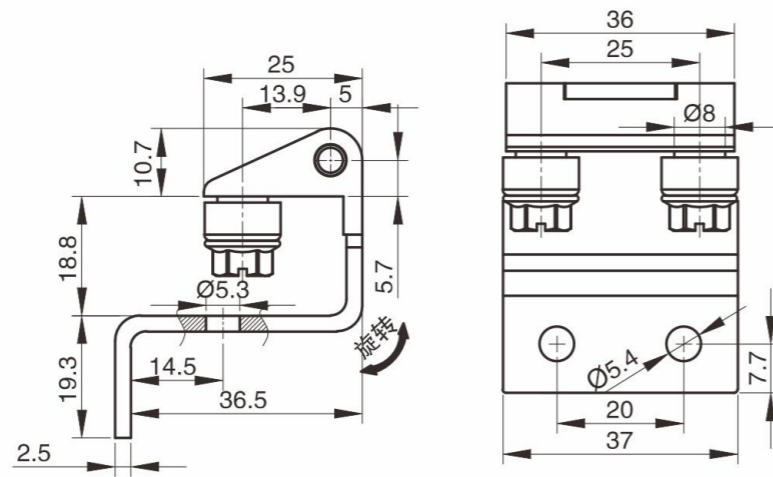
平面锁  
Plane Lock

执手锁  
Handle Lock

拉手  
Handle

转舌锁  
Cam lock

铁抽屉铰链



材质：锌合金外形、A3安装板、碳钢销子  
表面处理：黑  
旋转角度：约为180°  
Material: Zinc alloy appearance, A3 mounting plate, carbon steel pin  
Surface treatment: Black  
Rotation angle: approximately 180°

铰链系列  
Hinge series

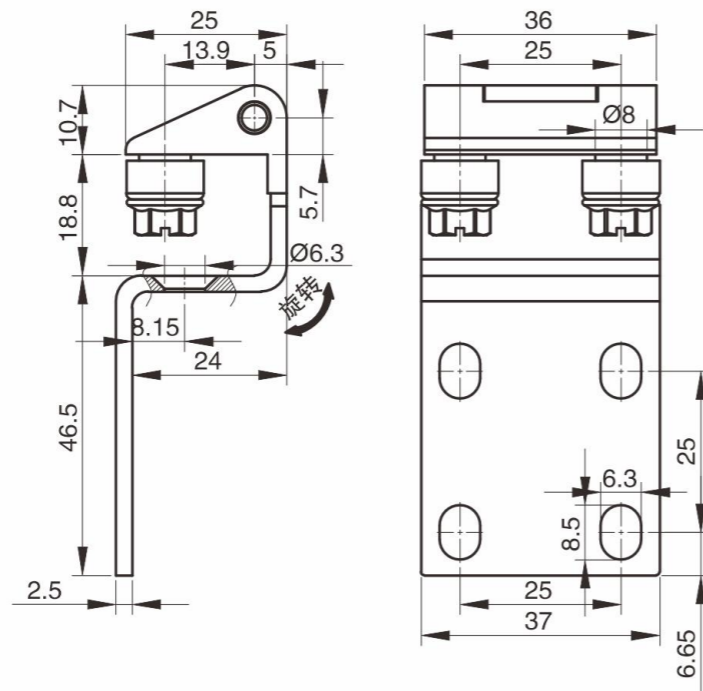
搭扣锁  
Buckle Lock

不锈钢系列  
Stainless steel series

密码锁  
Combination lock

附件  
Accessories

铁大门铰链



材质：锌合金外形、A3安装板、碳钢销子  
表面处理：黑  
旋转角度：约为180°  
Material: Zinc alloy appearance, A3 mounting plate, carbon steel pin  
Surface treatment: Black  
Rotation angle: approximately 180°

连杆锁  
Rod Control Lock

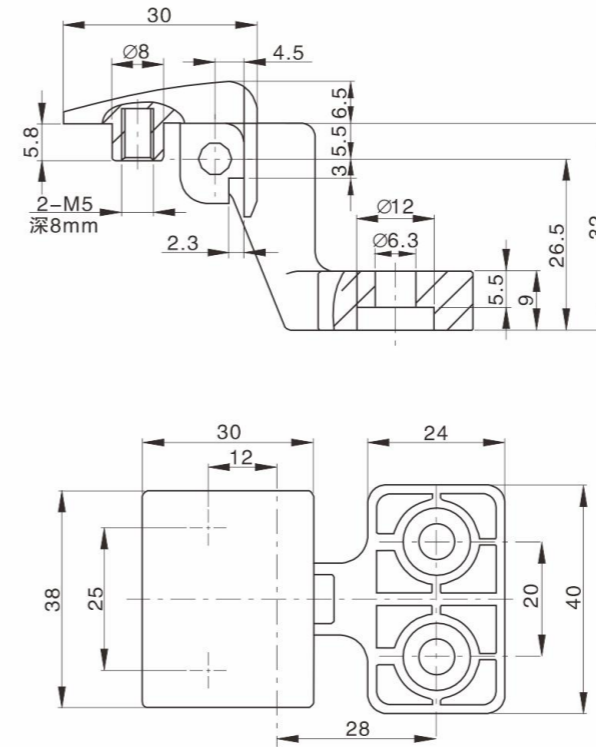
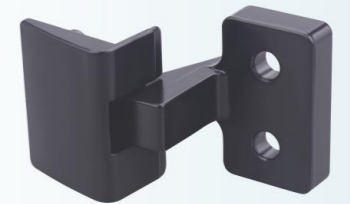
平面锁  
Plane Lock

执手锁  
Handle Lock

拉手  
Handle

转舌锁  
Cam lock

大门铰链



材质：锌合金铰链，A3钢销子  
表面处理：喷塑黑  
Material: Zinc alloy hinge, A3 steel pin  
Finish: Black powder coated

铰链系列  
Hinge series

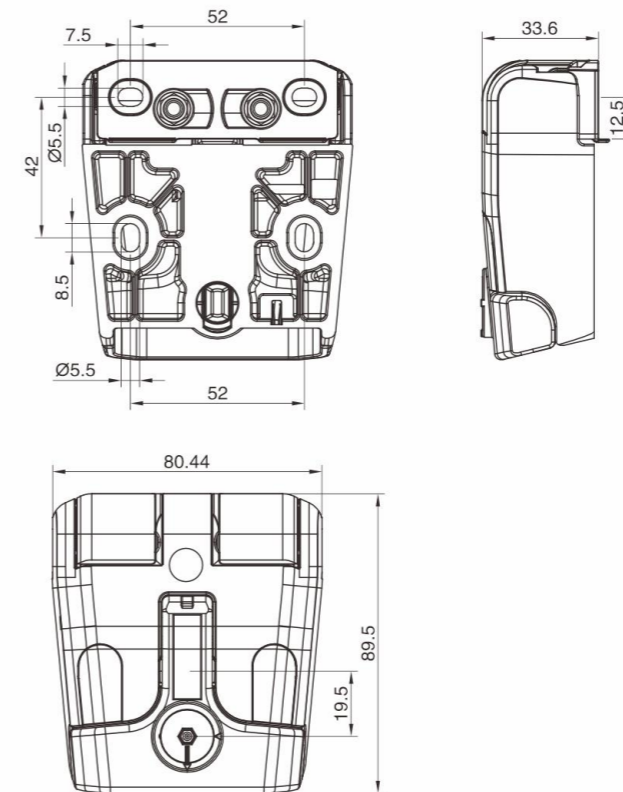
搭扣锁  
Buckle Lock

不锈钢系列  
Stainless steel series

密码锁  
Combination lock

附件  
Accessories

塑料大铰链



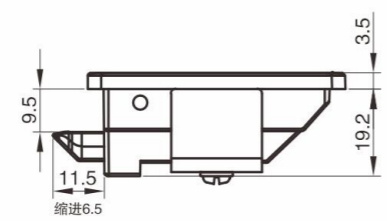
材质：PA主体、锌合金底座  
产品性能：主体底座可分离  
Material: PA body, zinc alloy base  
Product performance: The main base can be separated

连杆锁  
平面锁  
执手锁  
拉手  
转舌锁  
铰链系列  
搭扣锁  
不锈钢系列  
密码锁  
附件

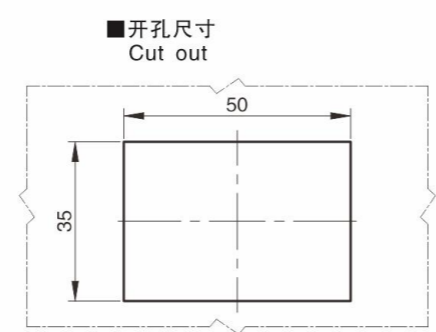
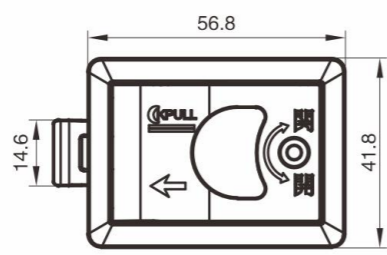
XAV28系列



XAV28-1



XAV28-2

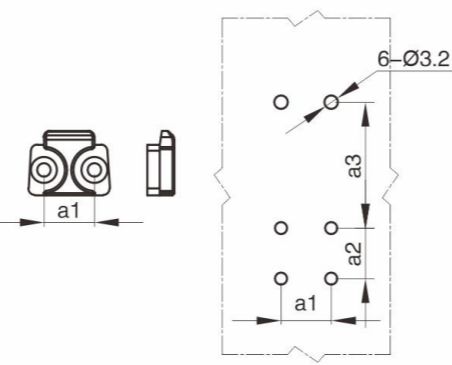
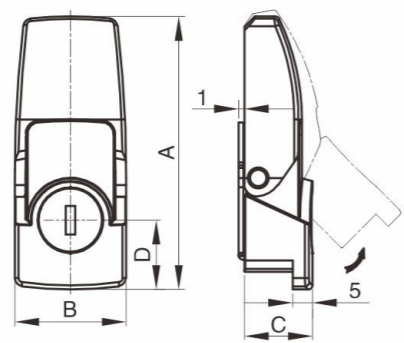


材质：锌合金主体、镀锌压板  
表面处理：亮铬  
适用门板：厚度1-5mm  
Material: Zinc alloy body, galvanized pressure plate  
Surface treatment: Bright chrome  
Applicable door panel: thickness 1-5mm

DKS系列



DKS-1

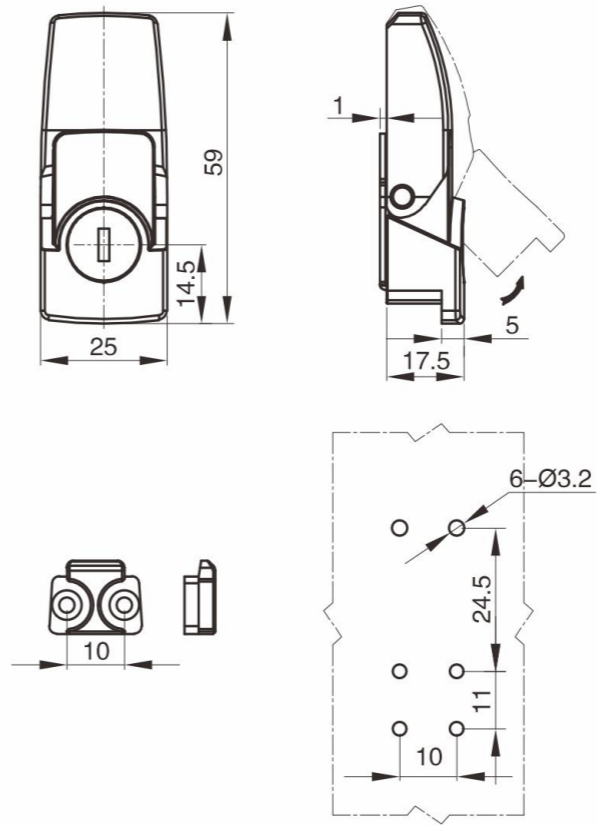


DKS-2

材质：锌合金主体、不锈钢固定板  
表面处理：沙铬、铬、无光黑  
打开方式：钥匙右旋90°，向上拨动底部台阶  
Material: Zinc alloy body, stainless steel fixing plate  
Surface treatment: sand chromium, chromium, matte black  
Opening method: Turn the key 90 degrees to the right and move the bottom step upwards

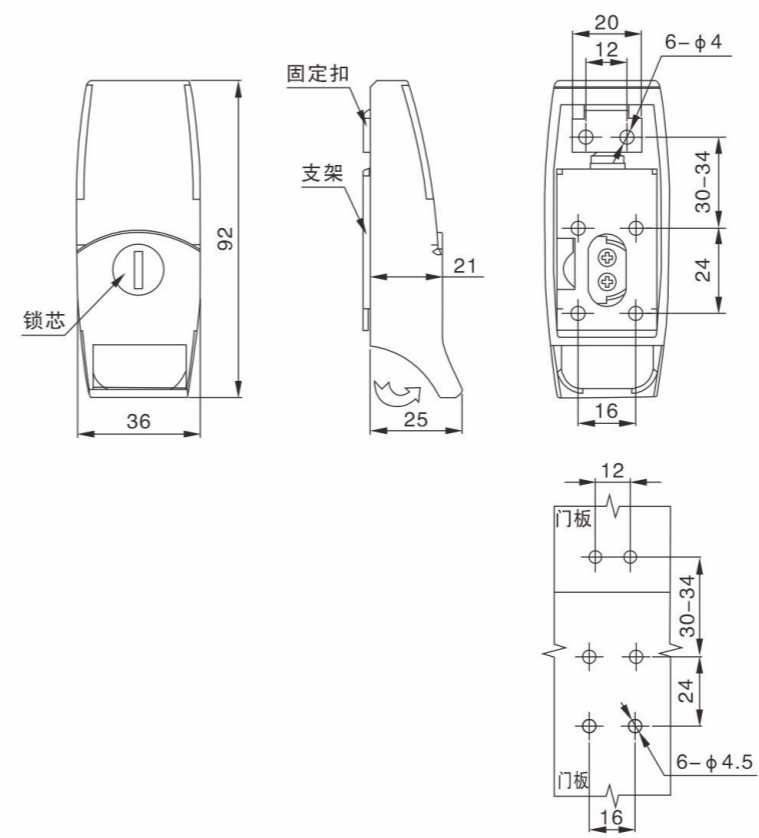
产品型号 Model	基本尺寸 Dimensions							备注 Note
	a3	a2	a1	D	C	B	A	
DKS-1	35.5	12	16	20.5	20	32	76	带锁芯 / 标记 K/ 国外
DKS-2	35.5	12	16	20.5	20	32	76	无锁芯 / 标记 K/ 国外
DKS-1	34.5	12	16	20.5	20	32	76	带锁芯 / 标记 R/ 国内
DKS-2	34.5	12	16	20.5	20	32	76	无锁芯 / 标记 R/ 国内

DKS-3



产品材质：锌合金壳体、锁芯、分镀锌钢和不锈钢固定架；  
表面处理：喷塑黑  
Material: Zinc alloy shell, lock cylinder, sub-galvanized steel and stainless steel mounting bracket;  
Finish: Black powder coated

DK601



产品材质：锌合金基座，不锈钢固定架，固定扣  
表面处理：喷塑(黑淡光)  
Product material: Zinc alloy base, stainless steel fixing frame, fixing buckle  
Surface treatment: spray coating (black light)



连杆锁  
平面锁  
执手锁  
拉手  
转舌锁  
铰链系列  
搭扣锁  
不锈钢系列  
密码锁  
附件

连杆锁  
平面锁  
执手锁  
拉手  
转舌锁  
铰链系列  
搭扣锁  
不锈钢系列  
密码锁  
附件

**DK725**

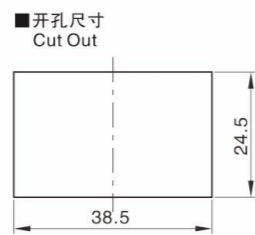
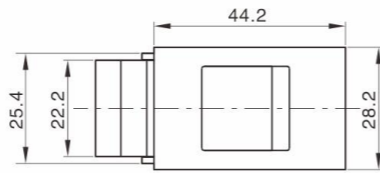
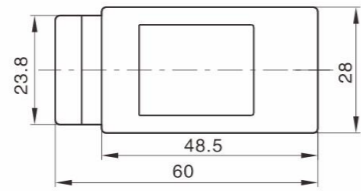
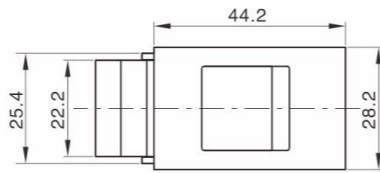
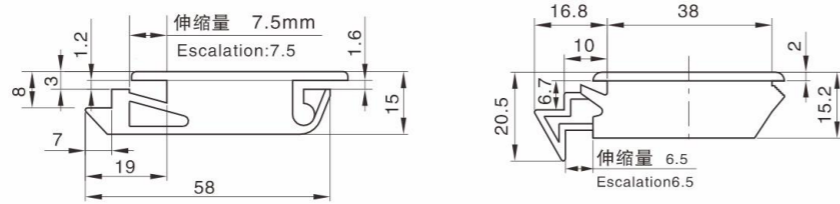


DK725-1

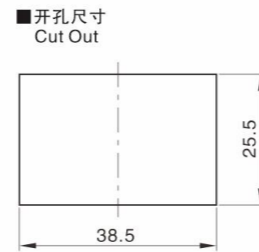


DK725-2

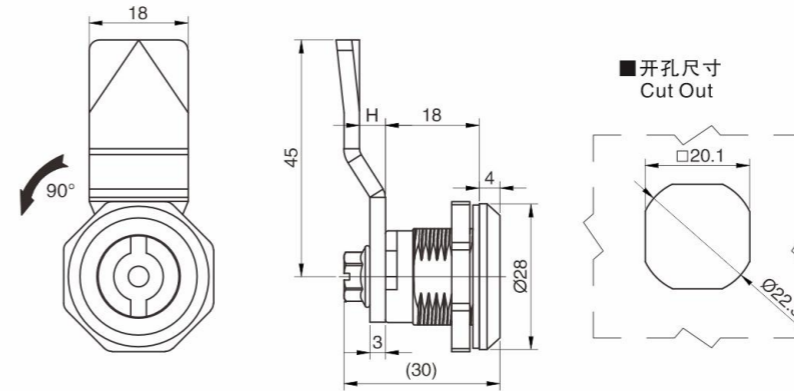
材质: ABS  
适用门板厚度: 1~1.2mm  
备注: 颜色为黑色、灰色  
Material: ABS  
Panel thickness: 1~1.2mm  
Remark: Black, Gray



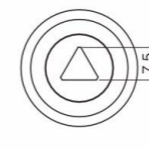
DK725-1



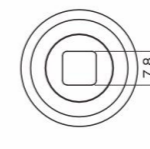
DK725-2



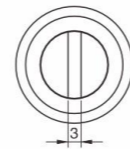
一字芯



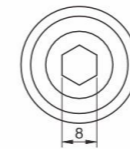
三角芯



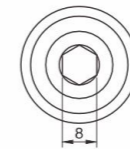
四方芯



开槽芯



六角芯



内六角芯

**MS705系列**

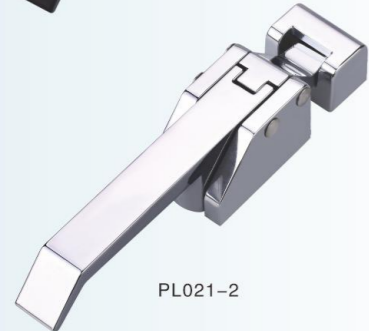


材质: 304不锈钢  
表面处理: 磁力抛光  
Material: 304 stainless steel  
Surface treatment: Magnetic polishing

**PL021**

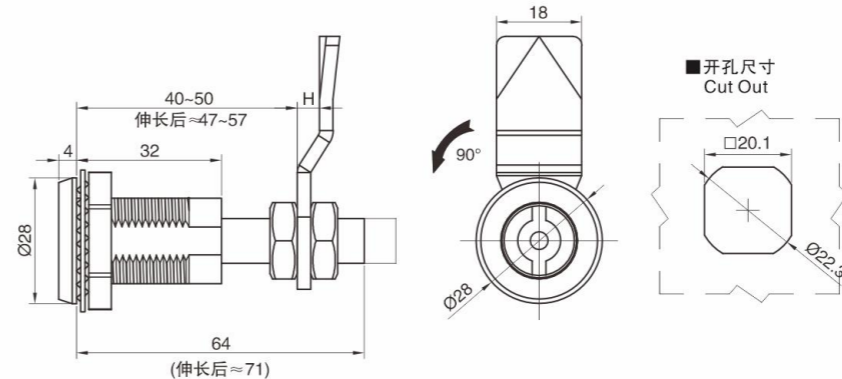
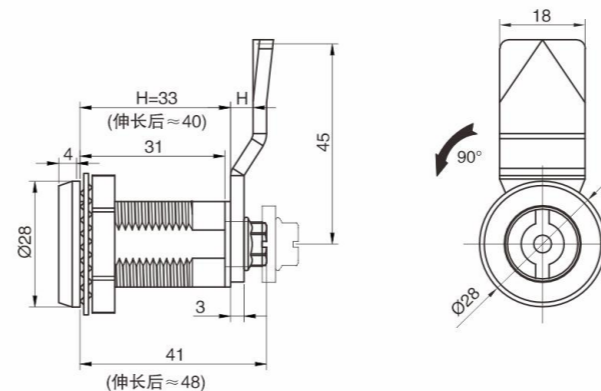
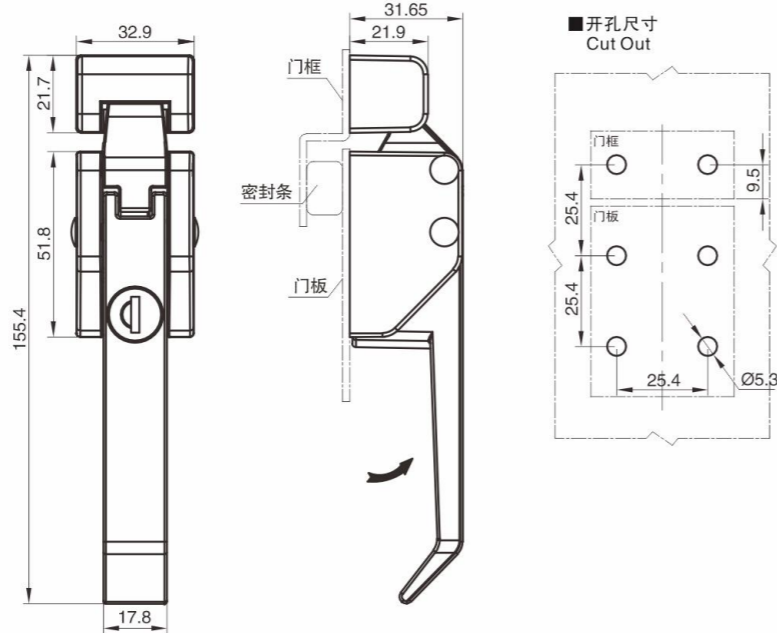


PL021-1



PL021-2

材质: 锌合金主体、不锈钢销子  
表面处理: 无光黑、亮铬  
打开方式: 钥匙左旋180°后拉起拉手  
Material: Zinc alloy body, stainless steel pin  
Surface treatment: Matte black, bright chrome  
Opening method: Turn the key 180 degrees left and pull up the handle



**MS816系列**



材质: SUS304  
表面处理: 镜面抛光  
适用门板: 厚度≤8mm  
钥匙: 默认无钥匙, 可选配  
备注: 压缩式门锁, 压缩量≈7mm  
Material: SUS304  
Surface treatment: mirror polishing  
Applicable door panel: thickness ≤ 8mm  
Key: default keyless, optional  
Note: Compression type door lock, compression amount ≈ 7mm

连杆锁  
平面锁  
执手锁  
拉手  
转舌锁  
铰链系列  
搭扣锁  
不锈钢系列  
密码锁  
附件

**MS858**

材质: 304不锈钢面板, 锌合锁主体  
表面处理: 镜面抛光  
Material: 304 stainless steel panel, zinc lock body  
Surface treatment: mirror polishing

**MS866-26**

材质: 304不锈钢  
表面处理: 镜面抛光  
Material: 304 stainless steel  
Surface treatment: mirror polishing

**HFL11系列**

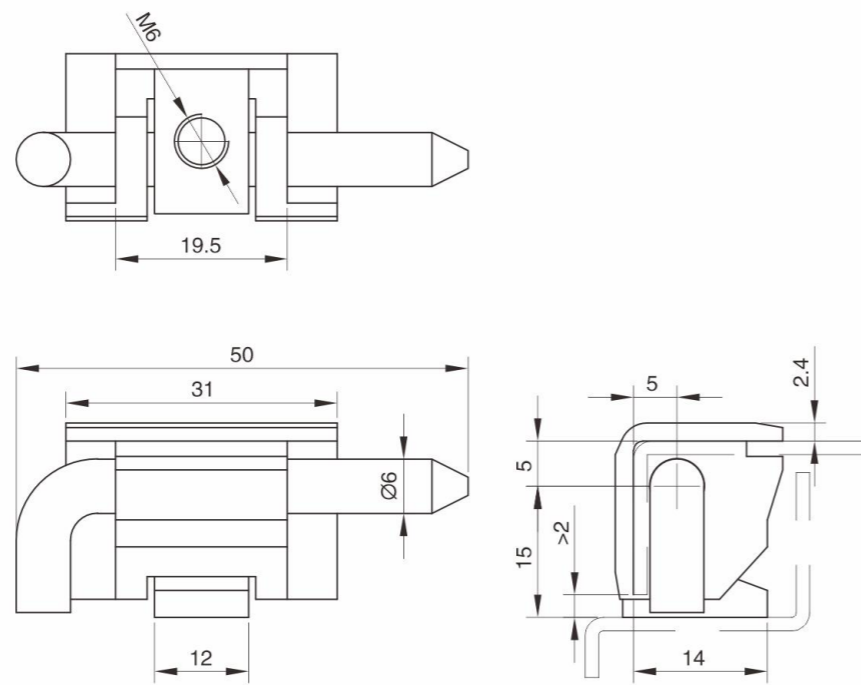
产品型号 Model	b	a	F	E	D	C	B	A
HFL11-41	21	25	5.5	9.2	5	2	36	41
HFL11-48	32	30	5.5	9.2	5	2	48	48
HFL11-59	42	37	6.5	12.2	6	3	62	59
HFL11-66	21	25	5.5	9.2	5	2	36	66
HFL11-70	47	43	6.5	12.2	6	3	80	70
HFL11-78	32	30	5.5	9.2	5	2	48	78
HFL11-96	42	37	6.5	12.2	6	3	62	96
HFL11-113	47	43	6.5	12.2	6	3	80	113

材质: 304不锈钢、销子  
表面处理: 手抛镜面  
Material: 304 stainless steel, pin  
Surface treatment: Hand polished mirror surface

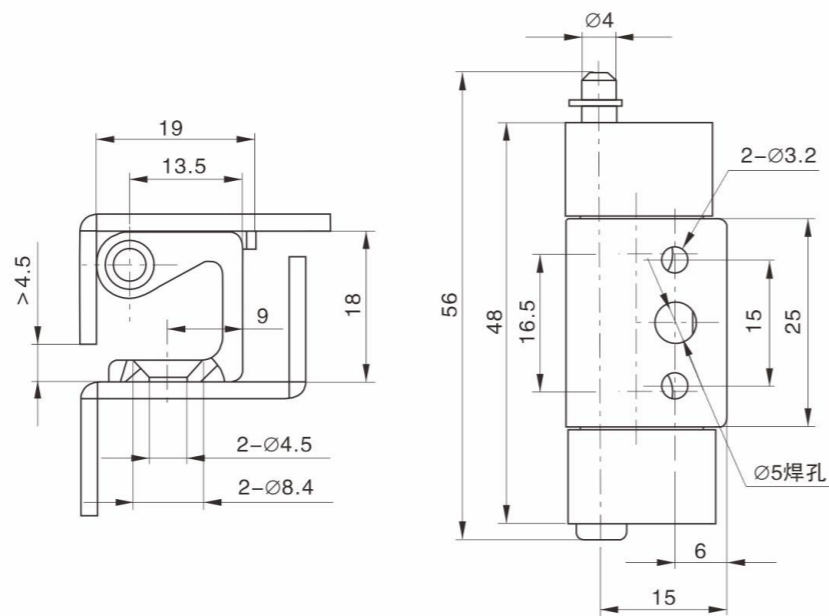
**CL222**

材质: 304不锈钢  
表面处理: 手抛镜面  
Material: 304 stainless steel  
Surface treatment: Hand polished mirror surface

Rod Control Lock  
 连杆锁  
 Plane Lock  
 平面锁  
 Handle Lock  
 执手锁  
 Handle  
 拉手  
 Cam lock  
 转舌锁  
 Hinge series  
 铰链系列  
 Buckle Lock  
 搭扣锁  
 Stainless steel series  
 不锈钢系列  
 Combination lock  
 密码锁  
 Accessories  
 附件

**CL230**


材质: 304不锈钢  
 表面处理: 手抛镜面  
 Material: 304 stainless steel  
 Surface treatment: Hand polished mirror surface

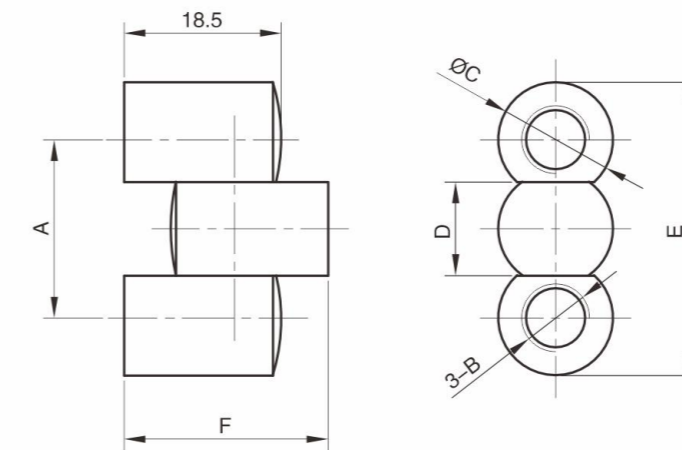
**CL237-2**


产品材质: 定铰链、转轴SUS304  
 表面处理: 定铰链为喷塑  
 Product Material: Fixed hinge, pivot SUS304  
 Surface treatment: The hinges are powder-coated

**三联铰链系列**


三联铰链无杆

材质: 304不锈钢  
 表面处理: 不锈钢本色  
 Material: 304 stainless steel  
 Surface treatment: Stainless steel natural color

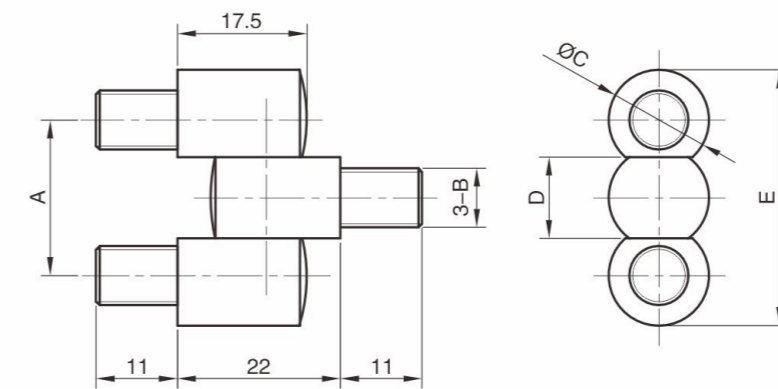


产品型号 Model	基本尺寸 Dimensions						备注 Remark
	F	E	D	C	B	A	
三联M6内铰链 M6 Concealed Three-Segment Hinge	22.5	28.5	8.5	$\phi 11.5$	M6	17	带螺孔 With mounting holes
三联M8内铰链 M8 Concealed Three-Segment Hinge	24	34.5	11	$\phi 13.5$	M8	21	带螺孔 With mounting holes

**三联铰链系列**


三联铰链带杆

材质: 304不锈钢  
 表面处理: 不锈钢本色  
 Material: 304 stainless steel  
 Surface treatment: Stainless steel natural color



产品型号 Model	基本尺寸 Dimensions					备注 Remark
	E	D	C	B	A	
三联M6外铰链 M6 Three-Segment External Hinge	28.5	8.5	$\phi 11.5$	M6	17	带螺杆 with stay arm
三联M8外铰链 M8 Three-Segment External Hinge	34.5	11	$\phi 13.5$	M8	21	带螺杆 with stay arm

JC012

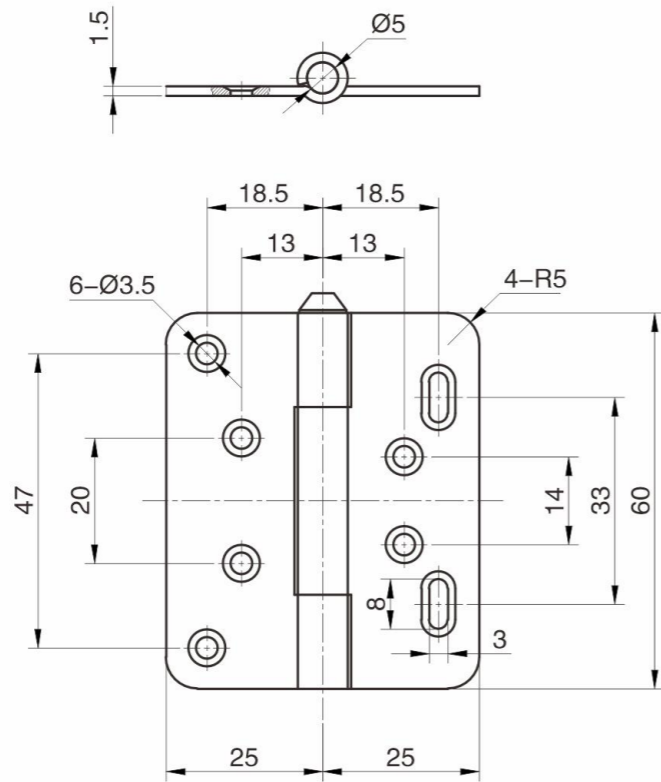
Rod Control Lock  
连杆锁

Plane Lock  
平面锁

Handle Lock  
执手锁

Handle  
拉手

Cam lock  
转舌锁



材质: 304不锈钢  
表面处理: 磁力抛光  
Material: 304 stainless steel  
Surface treatment: Magnetic polishing

JC115

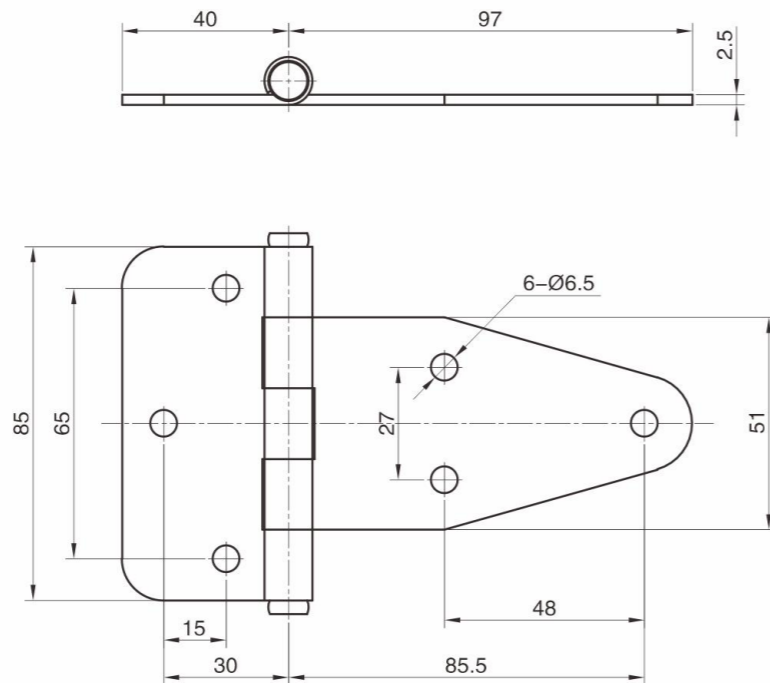
Hinge series  
铰链系列

Buckle Lock  
搭扣锁

Stainless steel series  
不锈钢系列

Combination lock  
密码锁

Accessories  
附件



材质: 304不锈钢  
表面处理: 镜面抛光  
Material: 304 stainless steel  
Surface treatment: mirror polishing

ES1321

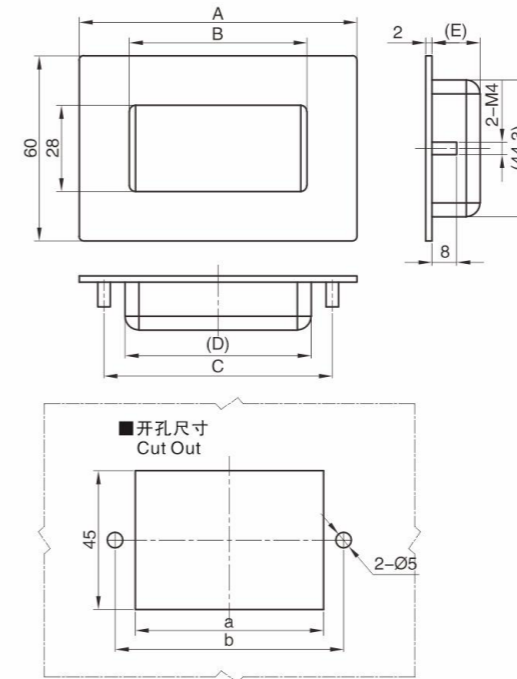
Rod Control Lock  
连杆锁

Plane Lock  
平面锁

Handle Lock  
执手锁

Handle  
拉手

Cam lock  
转舌锁



产品型号 Model	基本尺寸 Dimensions						
	b	a	E	D	C	B	A
ES1311	74	61	15.6	60.3	74	57.6	90
ES1321	100	89	16.6	88.3	100	85.8	120

材质: 304不锈钢  
表面处理: 拉丝  
建议荷重: 平面执手, 建议荷重20kgf  
适用门板: 厚度 $\leq 4.2$ mm  
优点说明: 不区分方向, 可快速嵌入门板  
Material: 304 stainless steel  
Surface treatment: brushed  
Suggested load: Use a flat handle and suggest a load of 20kgf  
Applicable door panel: thickness  $\leq 4.2$ mm  
Advantages: It does not distinguish between directions and can be quickly embedded into door panels

LS11501M

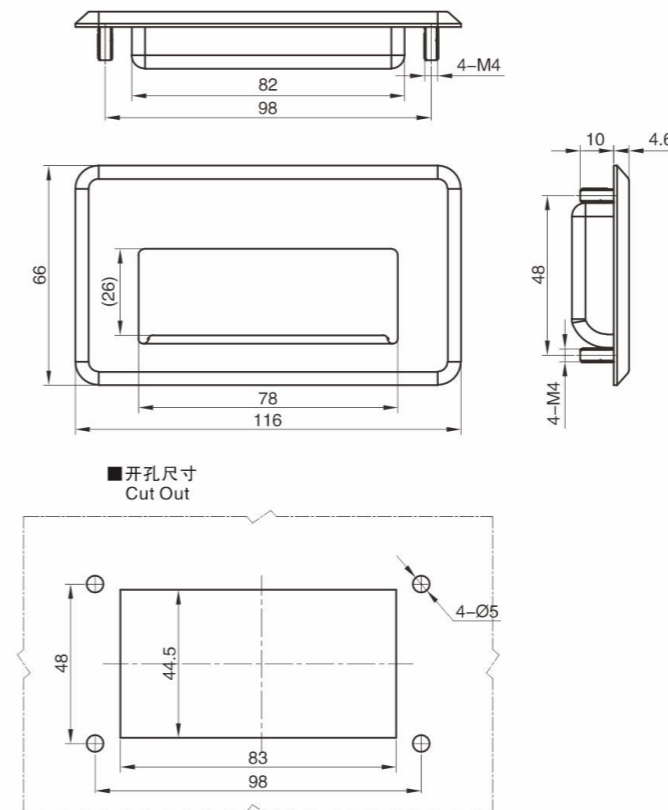
Hinge series  
铰链系列

Buckle Lock  
搭扣锁

Stainless steel series  
不锈钢系列

Combination lock  
密码锁

Accessories  
附件



材质: 304不锈钢  
表面处理: 拉丝  
最大静载荷: 294N  
适用门板: 厚度 $\leq 5$ mm  
Material: 304 stainless steel  
Surface treatment: brushed  
Maximum static load: 294N  
Applicable door panel: thickness  $\leq 5$ mm

连杆锁  
Rod Control Lock

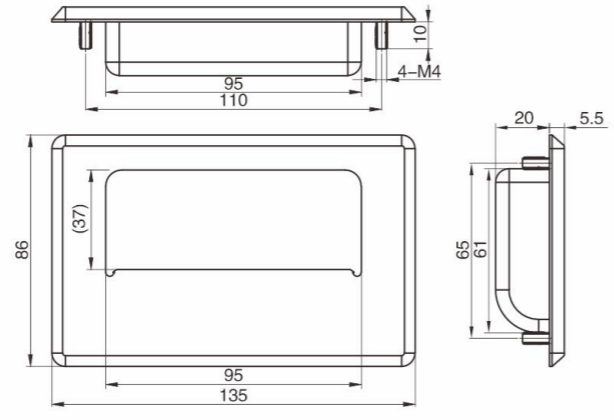
平面锁  
Plane Lock

执手锁  
Handle Lock

拉手  
Handle

转舌锁  
Cam lock

LS11504M



■ 开孔尺寸  
Cut Out

材质: 304不锈钢  
表面处理: 拉丝  
最大静载荷: 294N  
适用门板: 厚度 ≤ 5mm  
Material: 304 stainless steel  
Surface treatment: brushed  
Maximum static load: 294N  
Applicable door panel: thickness ≤ 5mm

铰链系列  
Hinge series

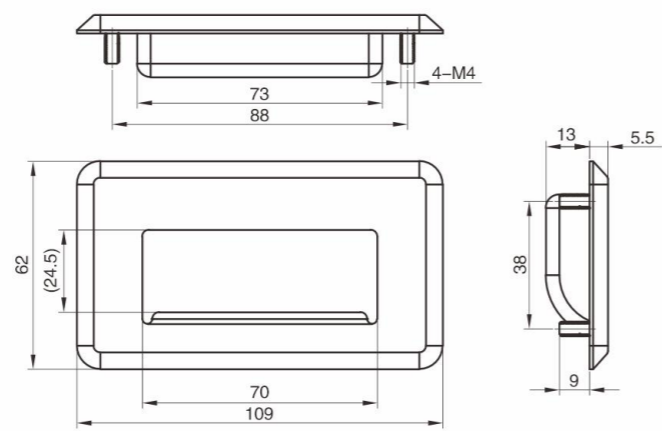
搭扣锁  
Buckle Lock

不锈钢系列  
Stainless steel series

密码锁  
Combination lock

附件  
Accessories

LS12000M



■ 开孔尺寸  
Cut Out

材质: 304不锈钢  
表面处理: 拉丝  
最大静载荷: 294N  
适用门板: 厚度 ≤ 5mm  
Material: 304 stainless steel  
Surface treatment: brushed  
Maximum static load: 294N  
Applicable door panel: thickness ≤ 5mm

连杆锁  
Rod Control Lock

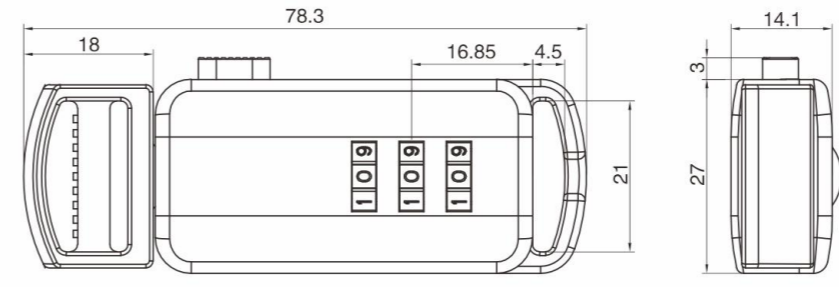
平面锁  
Plane Lock

执手锁  
Handle Lock

拉手  
Handle

转舌锁  
Cam lock

密码锁P01



材质: 锌合金主体, 塑料外壳, A3锁扣  
密码位数: 三位10数密码  
Material: Zinc alloy body, plastic shell, A3 lock buckle  
Password digits: Three digit 10 digit password

铰链系列  
Hinge series

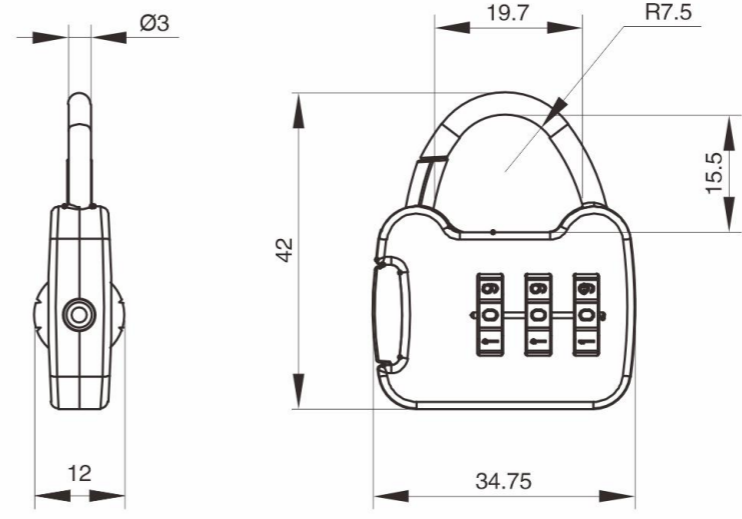
搭扣锁  
Buckle Lock

不锈钢系列  
Stainless steel series

密码锁  
Combination lock

附件  
Accessories

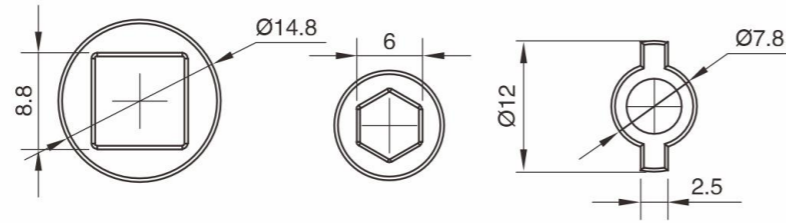
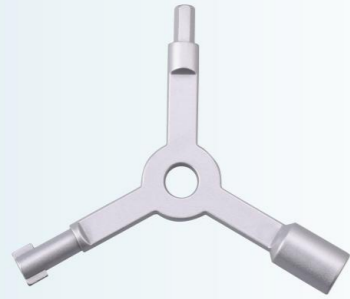
密码锁P02



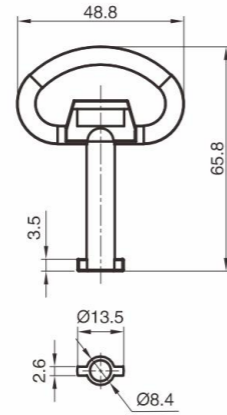
材质: 锌合金主体, 塑料转轴  
密码位数: 三位10数密码  
Material: Zinc alloy body, plastic shaft  
Password digits: Three digit 10 digit password

连杆锁  
平面锁  
执手锁  
拉手  
转舌锁  
铰链系列  
搭扣锁  
不锈钢系列  
密码锁  
附件

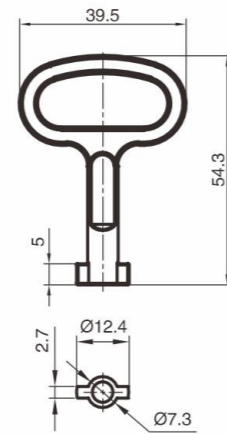
多功能钥匙



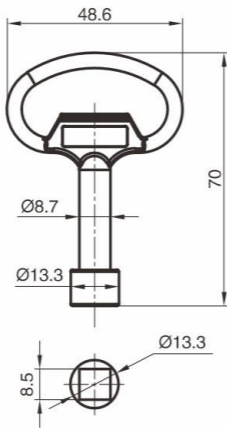
大一字钥匙



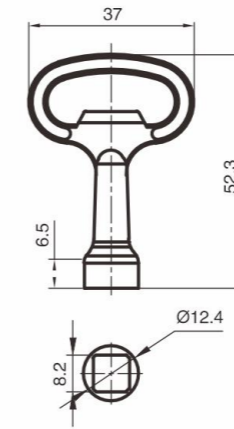
小一字钥匙



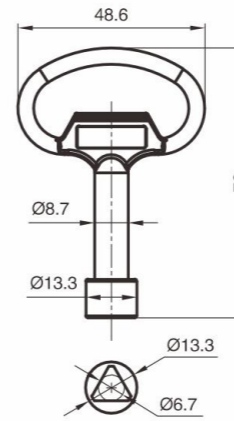
大四方钥匙



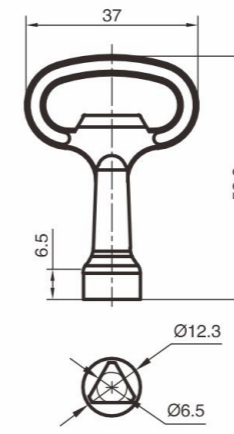
小四方钥匙



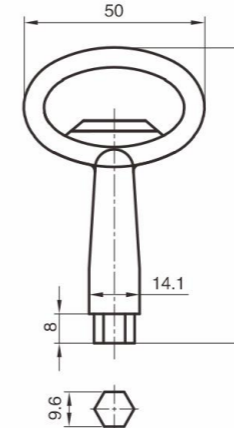
大三角钥匙



小三角钥匙



六角钥匙

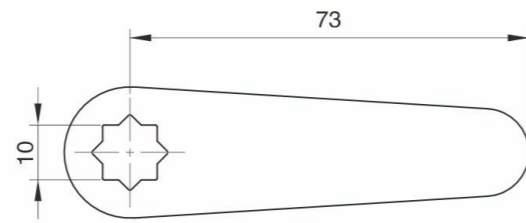


连杆锁  
平面锁  
执手锁  
拉手  
转舌锁  
铰链系列  
搭扣锁  
不锈钢系列  
密码锁  
附件

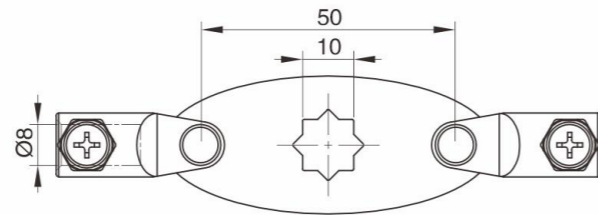
连杆锁  
平面锁  
执手锁  
拉手  
转舌锁  
铰链系列  
搭扣锁  
不锈钢系列  
密码锁  
附件

连杆锁  
平面锁  
执手锁  
拉手  
转舌锁  
铰链系列  
搭扣锁  
不锈钢系列  
密码锁  
附件

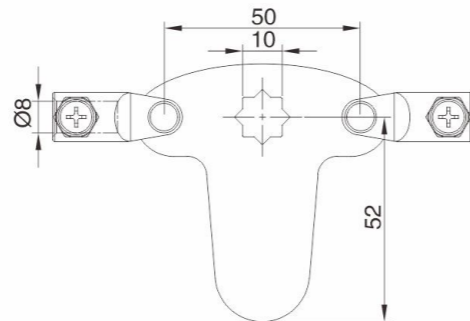
单点耳朵片



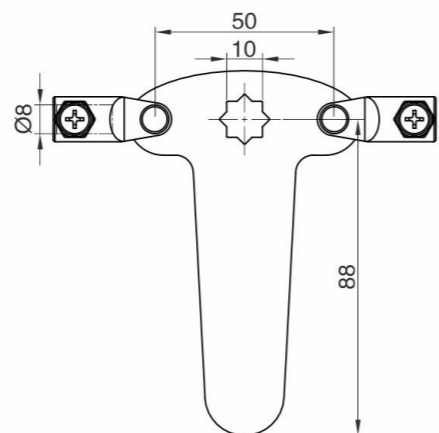
两点耳朵片



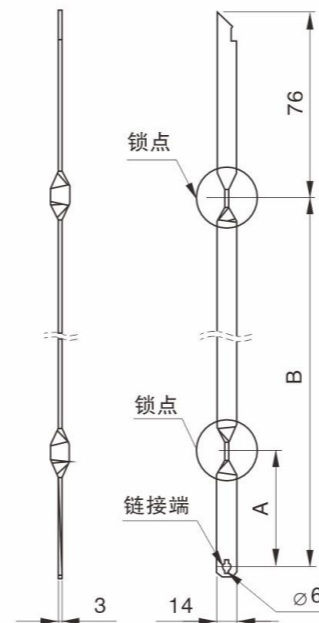
三点耳朵片 (短)



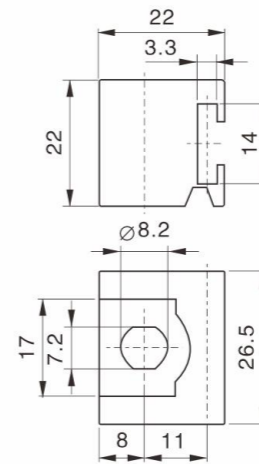
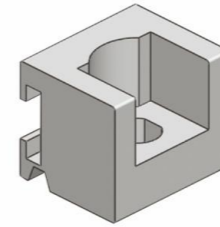
三点耳朵片 (长)



LG011

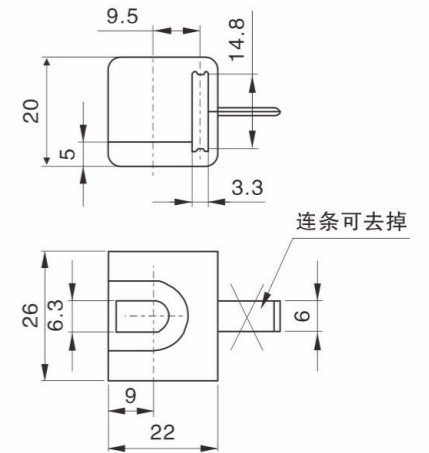
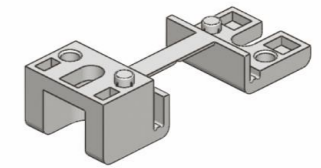


RG001-1



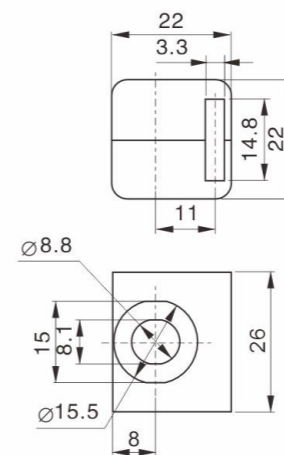
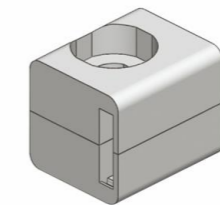
黑色PA导向件, 可用M6x16-20焊柱螺钉固定  
Black PA guide piece, can be fixed with M6x16-20 welding column screws

RG001-2



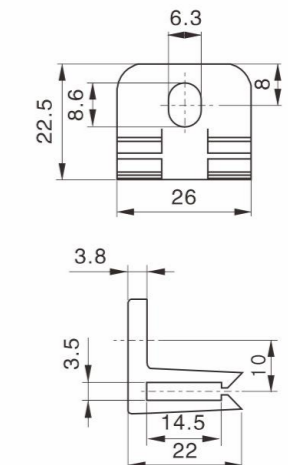
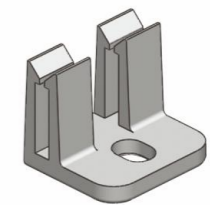
黑色PA导向件, 可用M6x22焊柱螺钉固定, 连接带可去除  
Black PA guide piece, can be fixed with M6x22 welding column screws, and the connecting strap can be removed

RG001-3



黑色PA导向件, 可用M6x22焊柱螺钉固定  
Black PA guide piece, can be fixed with M6x22 welding column screws

RG001-4

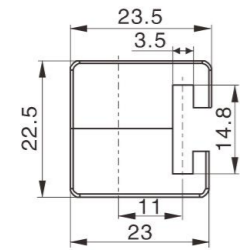
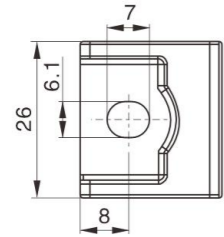
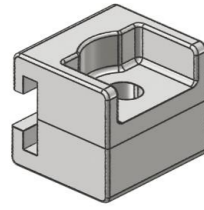


黑色PA导向件, 可用M6x12焊柱螺钉固定  
Black PA guide piece, can be fixed with M6x12 welding column screws

连杆锁  
平面锁  
执手锁  
拉手  
转舌锁  
铰链系列  
搭扣锁  
不锈钢系列  
密码锁  
附件

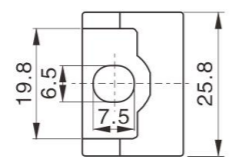
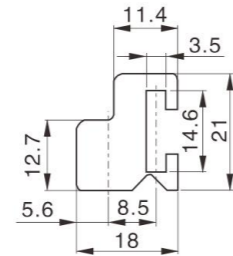
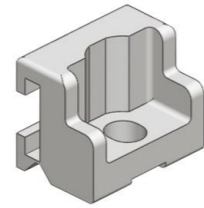
连杆锁  
平面锁  
执手锁  
拉手  
转舌锁  
铰链系列  
搭扣锁  
不锈钢系列  
密码锁  
附件

RG001-5



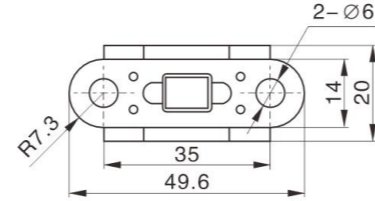
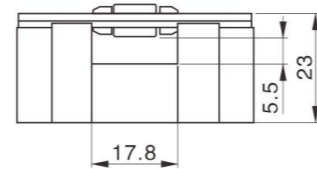
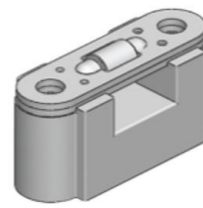
黑色PA导向件，可用M6x22焊柱螺钉固定  
Black PA guide piece, can be fixed with M6x22 welding column screws

RG001-8



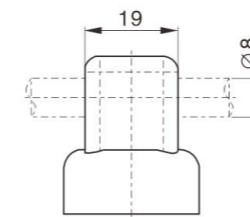
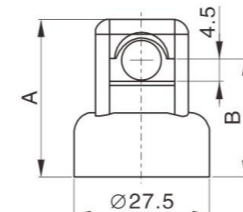
黑色PA导向件，可用M6x16-20焊柱螺钉固定  
Black PA guide piece, can be fixed with M6x16-20 welding column screws

RG001-9



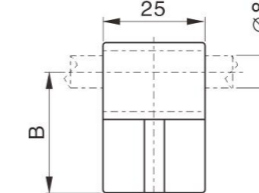
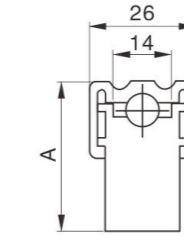
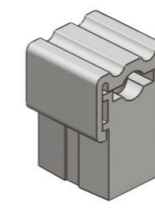
PC导向件  
PC guide component

RG002



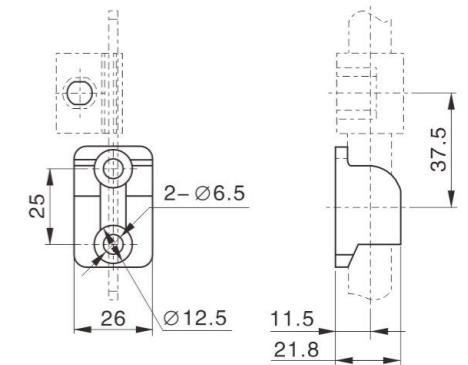
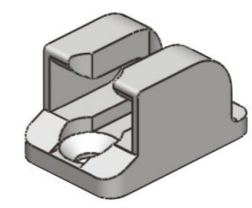
黑色PA导向件，内嵌镀螺母  
Black PA guide piece with embedded plated nut

RG002-A



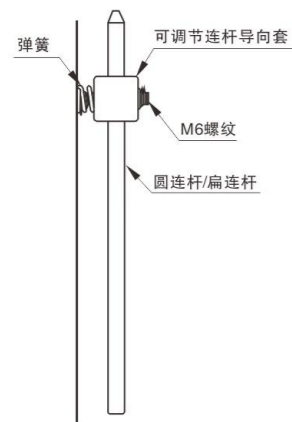
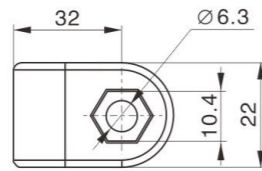
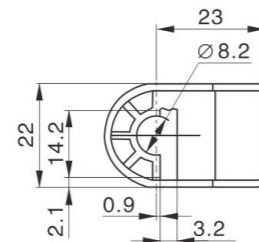
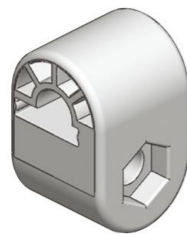
黑色PA导向件，内嵌镀螺母，可用于扁连杆  
Black PA guide piece, embedded with plated nut, can be used for flat connecting rod

RG003-1

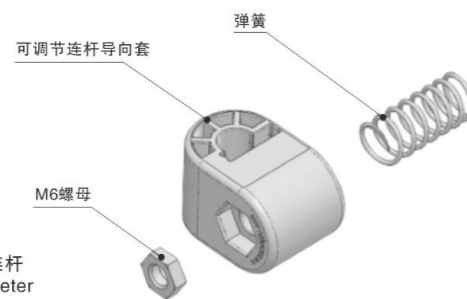


黑色ZDC固定扣，适用于带锁销扁连杆  
Black ZDC fixing buckle, suitable for flat connecting rods with locking pins

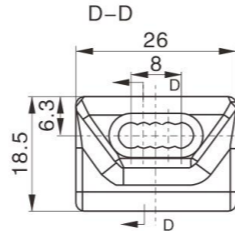
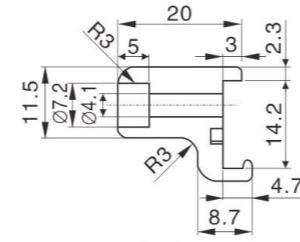
RG001-10



PA导向件，可用φ8mm圆连杆及3x14扁连杆  
PA guide component, available with a diameter of 8mm circular connecting rod and 3x14 flat connecting rod

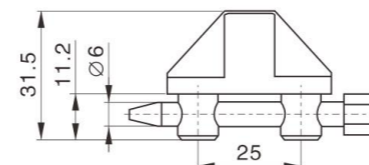
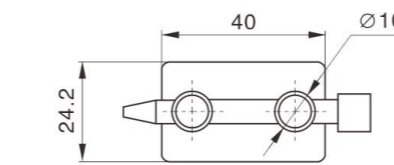
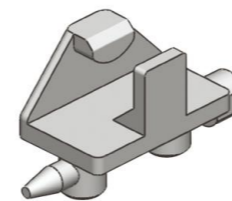


RG001-11



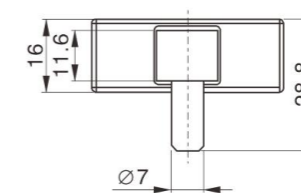
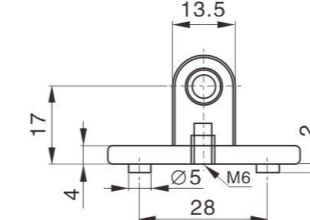
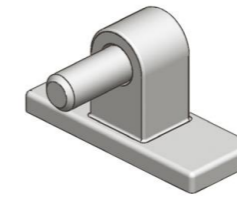
导向件，适用3x14条状扁连杆  
Guiding element, suitable for 3x14 bar flat connecting rod

RG003-2



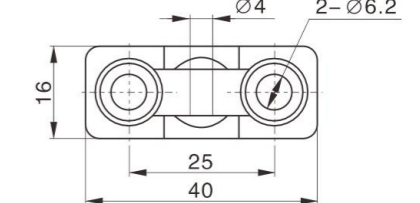
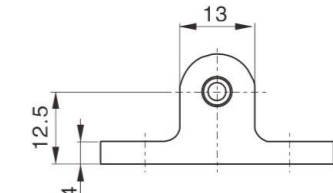
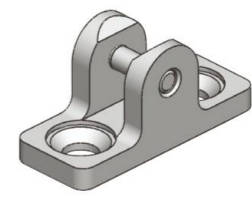
黑色ZDC卡式固定扣，PA插销；适用于2mm门板  
Black ZDC card type fixed buckle, PA pin; Suitable for 2mm door panels

RG003-3



黑色ZDC固定扣，镀锌钢销子；用M6螺钉固定  
Black ZDC fixed buckle, galvanized steel pin; Fix with M6 screws

RG003-4



镀锌ZDC固定扣，不锈钢销子；用M6沉头螺钉固定  
Galvanized ZDC fixed buckle, stainless steel pin; Fix with M6 countersunk screws

Rod/Control Lock

Plane Lock

Handle Lock

Handle

Cam lock

Hinge series

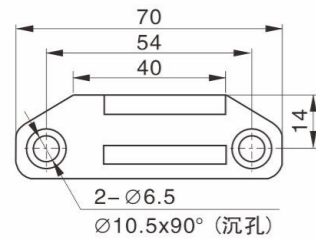
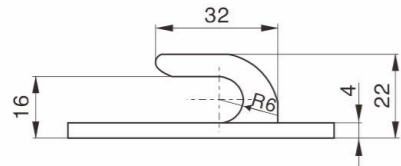
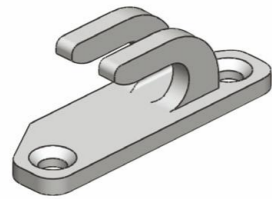
Buckle Lock

Stainless steel series

Combination lock

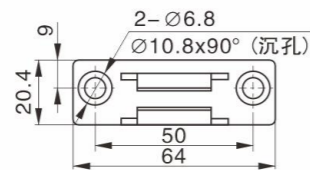
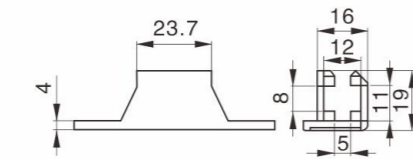
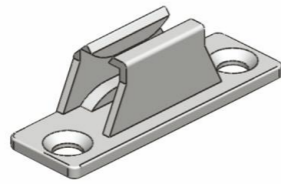
Accessories

RG003-5



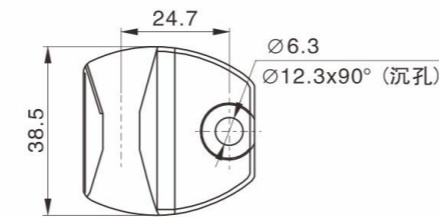
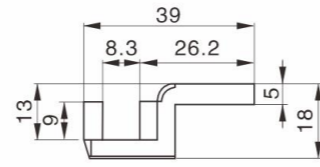
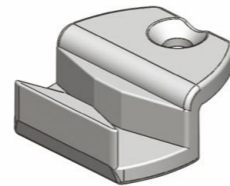
镀锌ZDC固定扣, 用M6沉头螺钉固定, 用于带锁销扁连杆  
 Galvanized ZDC fixing buckle, fixed with M6 countersunk screws, used for flat connecting rods with locking pins

RG003-6



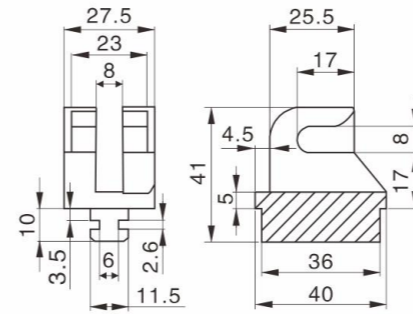
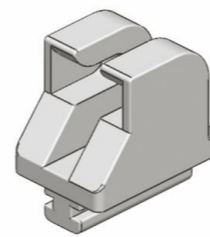
镀锌ZDC固定扣, 用M6沉头螺钉固定, 用于带锁销扁连杆  
 Galvanized ZDC fixing buckle, fixed with M6 countersunk screws, used for flat connecting rods with locking pins

RG003-7



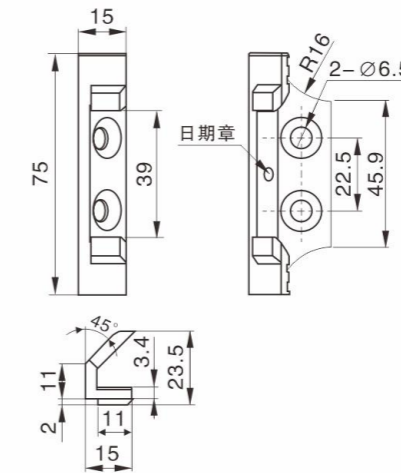
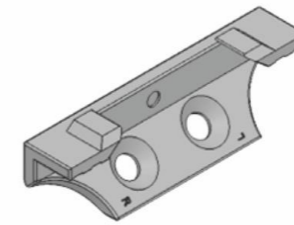
镀锌ZDC固定扣, 用M6沉头螺钉固定  
 Galvanized ZDC fixing buckle, fixed with M6 countersunk screws

RG003-11



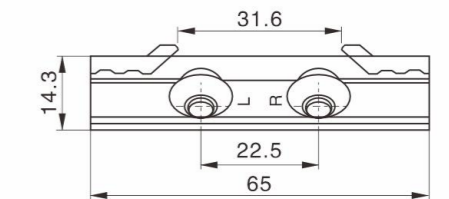
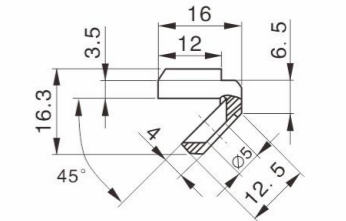
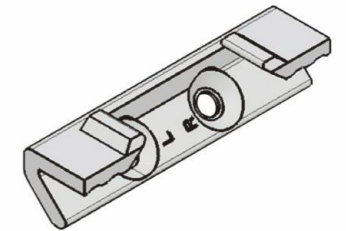
镀锌ZDC卡式固定扣, 用卡板固定, 用于带锁销扁连杆  
 Galvanized ZDC card type fixing buckle, fixed with a card plate, used for locking flat connecting rods

RG003-14



钢栓固定扣, 左右通用  
 Steel bolt fixing buckle, universal on both sides

RG003-15



黑色ZDC固定扣, 适用于带锁销扁连杆  
 Black ZDC fixing buckle, suitable for flat connecting rods with locking pins

Rod/Control Lock

Plane Lock

Handle Lock

Handle

Cam lock

Hinge series

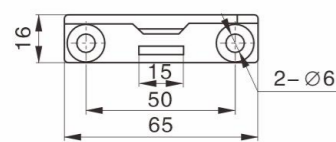
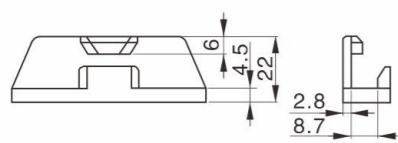
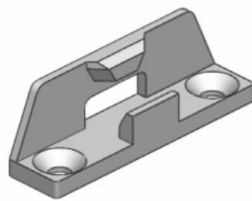
Buckle Lock

Stainless steel series

Combination lock

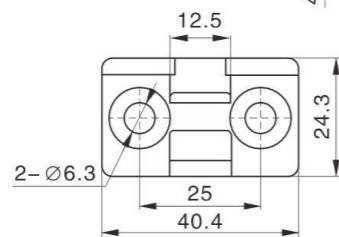
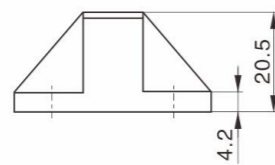
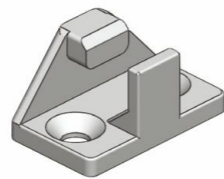
Accessories

RG003-8



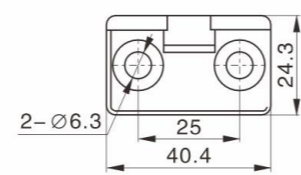
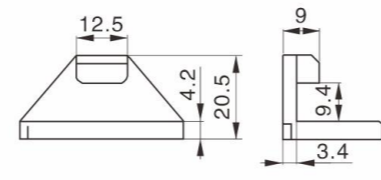
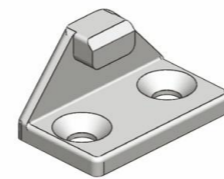
镀锌ZDC卡式固定扣, 用M6沉头螺钉固定  
 Galvanized ZDC card type fixing buckle, fixed with M6 countersunk screws

RG003-9



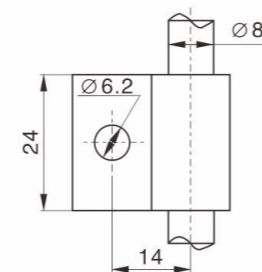
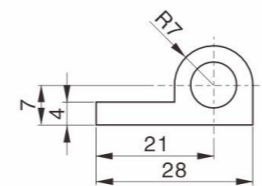
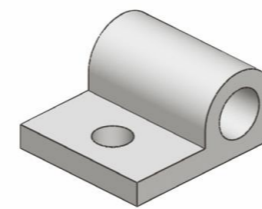
镀锌ZDC卡式固定扣, 用M6沉头螺钉固定  
 Galvanized ZDC card type fixing buckle, fixed with M6 countersunk screws

RG003-10



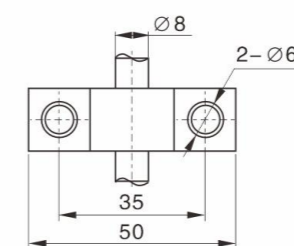
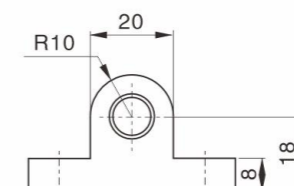
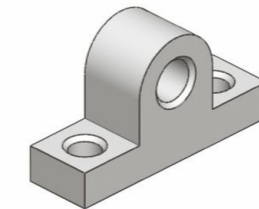
镀锌ZDC卡式固定扣, 用M6沉头螺钉固定  
 Galvanized ZDC card type fixing buckle, fixed with M6 countersunk screws

RG004-1



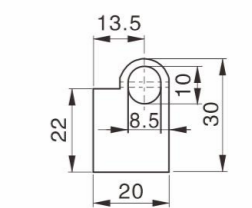
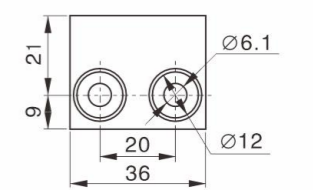
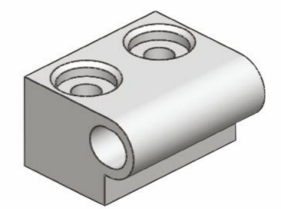
PA导向件  
 PA guide component

RG004-2



PA导向件  
 PA guide component

RG004-3

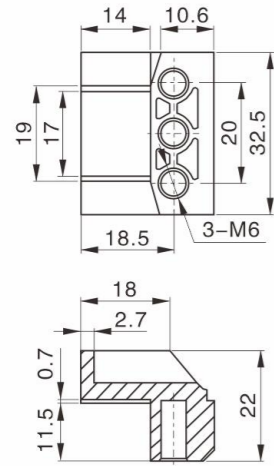
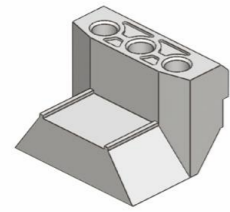


黑色ABS导向件  
 Black ABS guide component

连杆锁  
平面锁  
执手锁  
拉手  
转舌锁  
铰链系列  
搭扣锁  
不锈钢系列  
密码锁  
附件

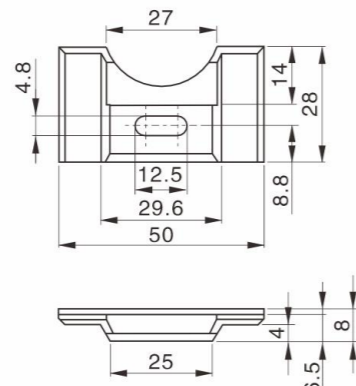
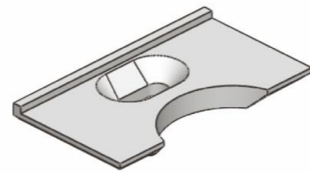
连杆锁  
平面锁  
执手锁  
拉手  
转舌锁  
铰链系列  
搭扣锁  
不锈钢系列  
密码锁  
附件

RG005-1



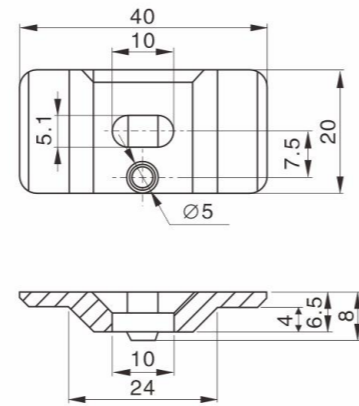
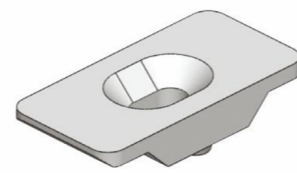
ZDC固定扣，与LG002-1/2连杆配套使用  
ZDC fixed buckle, used in conjunction with  
LG002-1/2 connecting rod

RG005-2



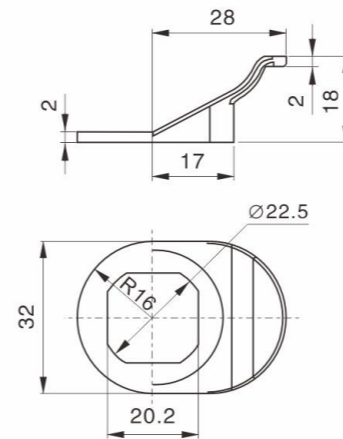
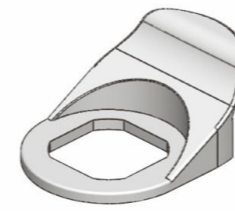
钢栓固定扣，与S1A1403X连杆配套使用  
Steel bolt fixing buckle, used in conjunction  
with S1A1403X connecting rod

RG005-3



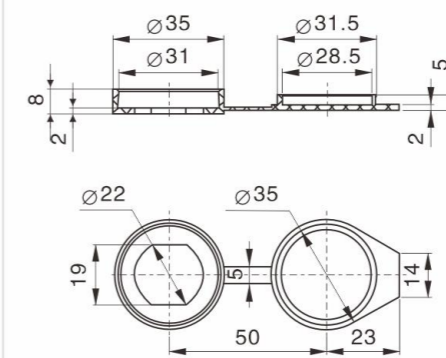
钢栓固定扣，与S1A1403X连杆配套使用  
Steel bolt fixing buckle, used in conjunction  
with S1A1403X connecting rod

拉攀HP001



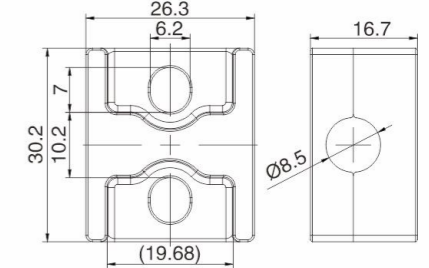
黑色PA拉攀  
Black PA Lapan

防水盖WP01



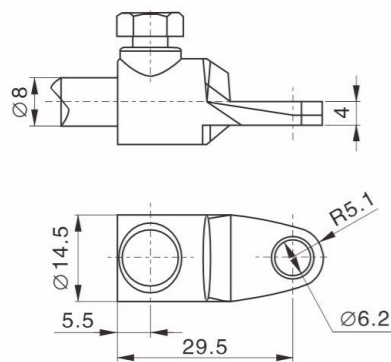
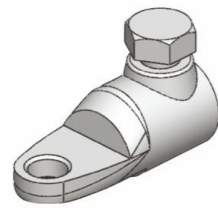
黑色PA防水盖  
Black PA waterproof cover

导向件RG006-6



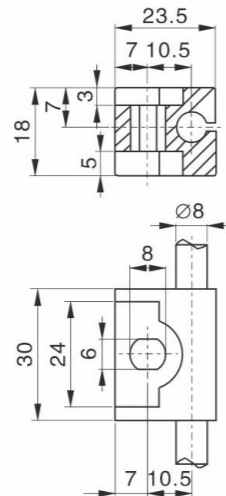
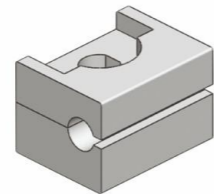
微晶3号导向件  
Crystal No. 3 guide component

RG006-1



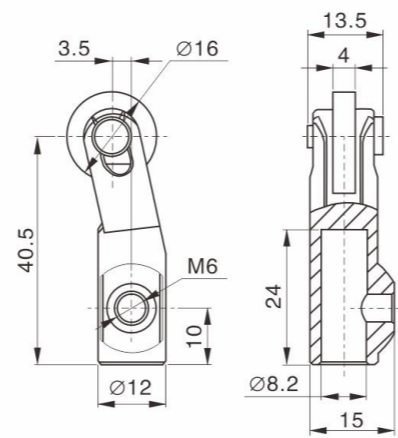
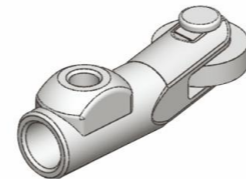
镀锌ZDC连杆连接件，镀锌钢M6紧固螺钉  
Galvanized ZDC connecting rod connector,  
galvanized steel M6 fastening screw

RG006-2



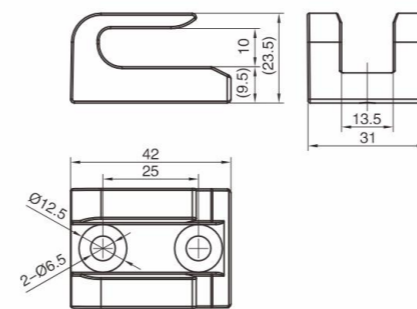
PA导向件  
PA guide component

RG007



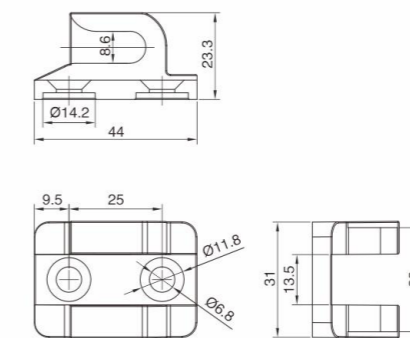
锌合金连接套，尼龙滚轮，可配用于LG001-1、  
LG003类似连杆  
Zinc alloy connecting sleeve, nylon roller, can  
be used with LG001-1, LG003 similar connecting  
rods

固定扣RG003-1-R1



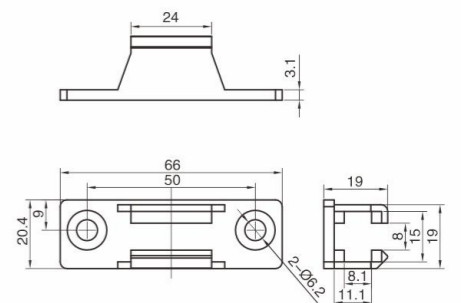
SUS304固定扣  
SUS304 fixed buckle

固定扣RG003-2B



SUS304固定扣  
SUS304 fixed buckle

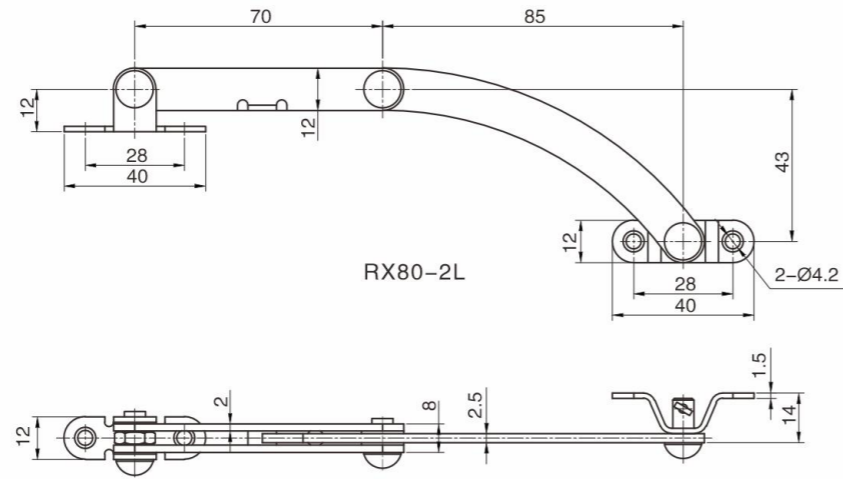
固定扣RG003-5-R1



锌合金固定扣  
Zinc alloy fixed buckle

连杆锁  
Rod Control Lock

限位器RX80-2L



材质: 碳钢  
表面处理: 镀镍  
Material: Carbon Steel  
Surface treatment: Nickel plating

平面锁  
Plane Lock

执手锁  
Handle Lock

拉手  
Handle

转舌锁  
Cam lock

铰链系列  
Hinge series

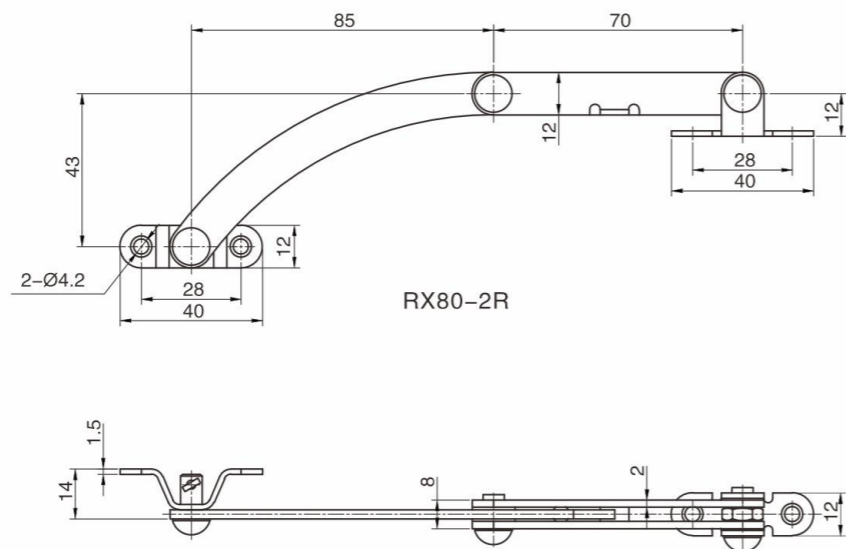
搭扣锁  
Buckle Lock

不锈钢系列  
Stainless steel series

密码锁  
Combination lock

附件  
Accessories

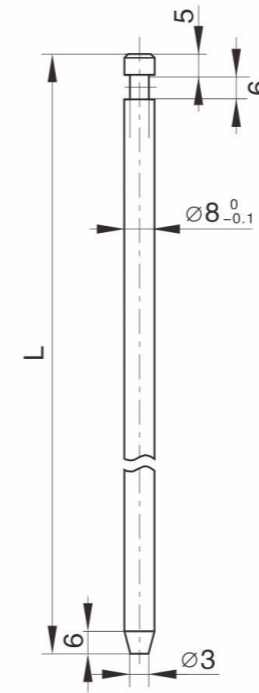
限位器RX80-2R



材质: 碳钢  
表面处理: 镀镍  
Material: Carbon Steel  
Surface treatment: Nickel plating

连杆锁  
Rod Control Lock

LG001-1-L



铁镀锌 M.S.Zinc plated

LG001-1-L

注: 订购时请注明长度L。  
Note: Please Specify the length when place order.

平面锁  
Plane Lock

执手锁  
Handle Lock

拉手  
Handle

转舌锁  
Cam lock

铰链系列  
Hinge series

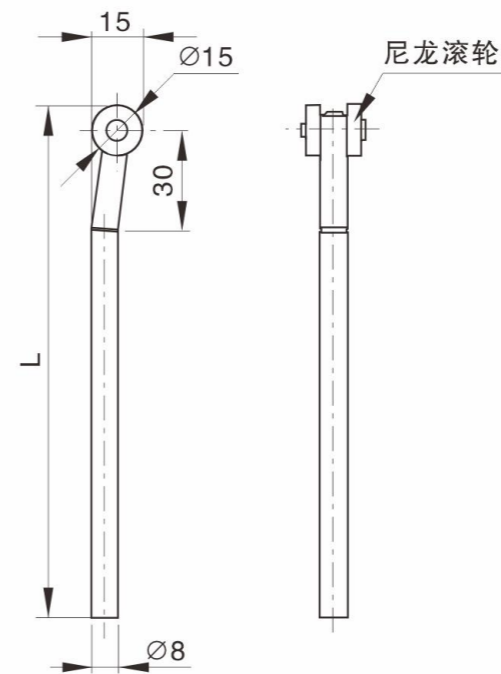
搭扣锁  
Buckle Lock

不锈钢系列  
Stainless steel series

密码锁  
Combination lock

附件  
Accessories

LG001-2-L

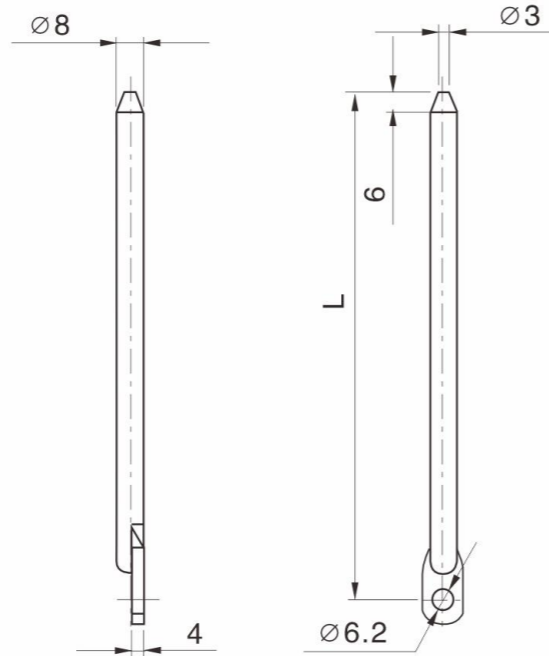


铁镀锌 M.S.Zinc plated

LG001-2-L

注: 订购时请注明长度L。  
Note: Please Specify the length when place order.

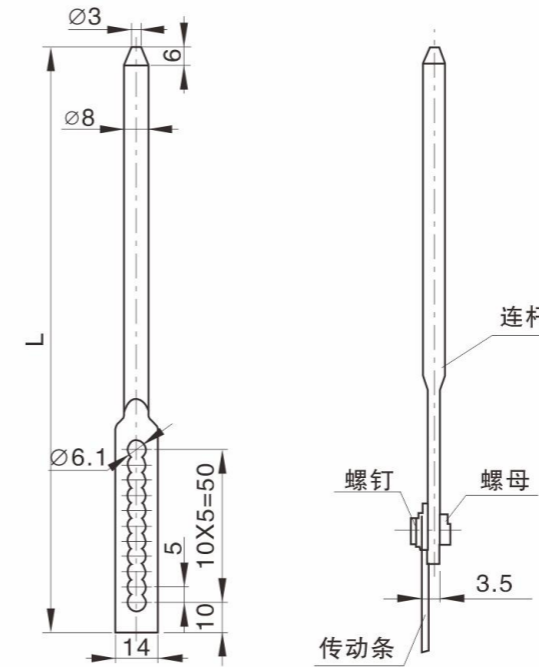
LG007-A-L



注：订购时请注明长度L。  
Note: Please Specify the length when place order.

铁镀锌 M.S.Zinc plated

LG007-A-L



铁镀锌 M.S.Zinc plated

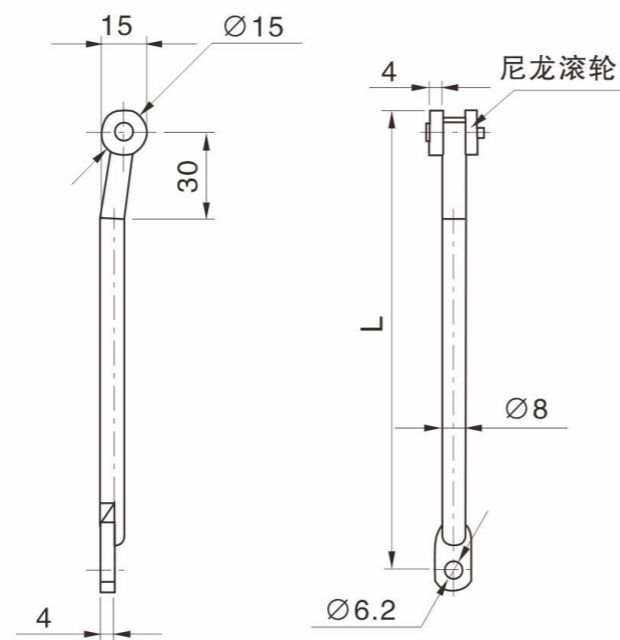
LG003-1-L

LG003-1-L



注：订购时请注明长度L。  
Note: Please Specify the length when place order.

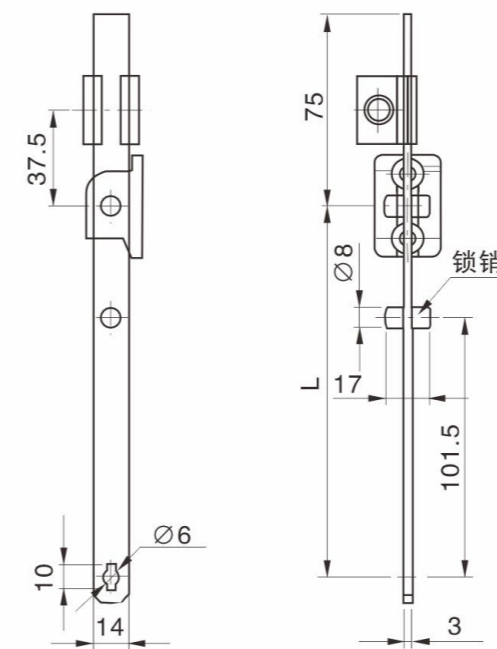
LG007-B-L



注：订购时请注明长度L。  
Note: Please Specify the length when place order.

铁镀锌 M.S.Zinc plated

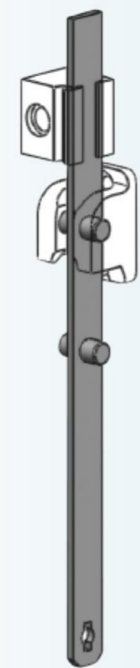
LG007-B-L



铁镀锌 M.S.Zinc plated

LG010-1-L

LG010-1-L



注：订购时请注明长度L。  
Note: Please Specify the length when place order.

Rod Control Lock

Plane Lock

Handle Lock

Handle

Cam lock

Hinge series

Buckle Lock

Stainless steel series

Combination lock

Accessories

Rod Control Lock

Plane Lock

Handle Lock

Handle

Cam lock

Hinge series

Buckle Lock

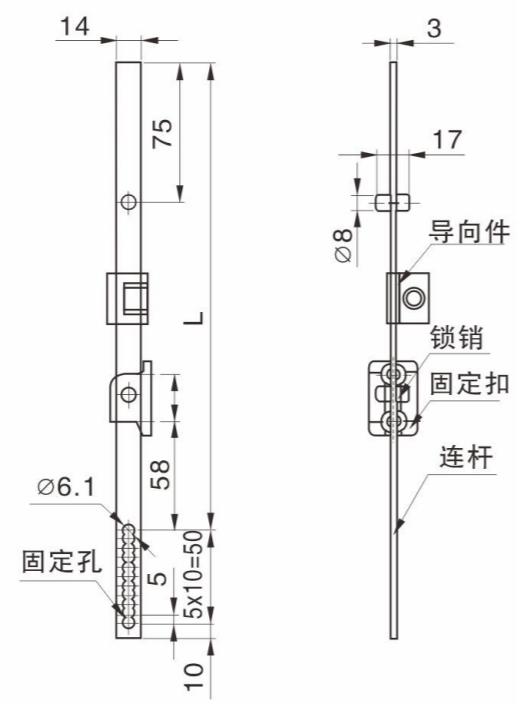
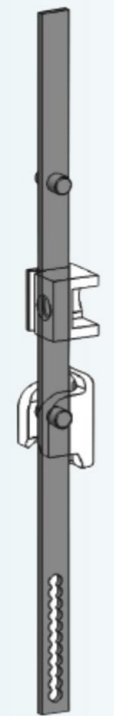
Stainless steel series

Combination lock

Accessories

Rod Control Lock  
平面锁  
执手锁  
拉手  
Cam lock  
Hinge series  
搭扣锁  
不锈钢系列  
密码锁  
附件

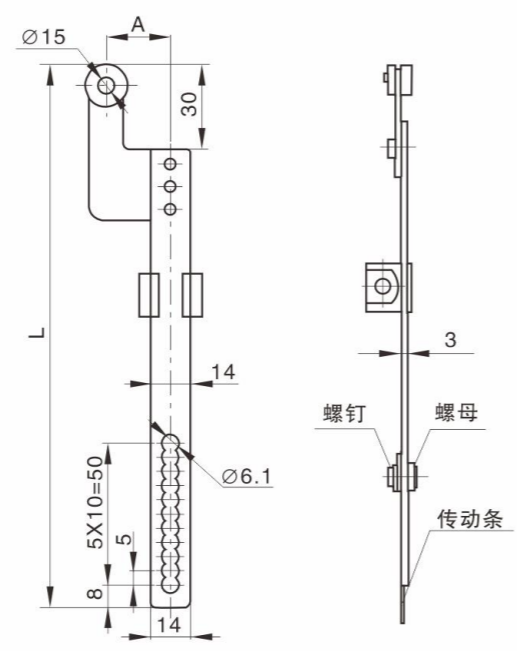
LG004-1-L



注：订购时请注明长度L。  
Note: Please Specify the length when place order.

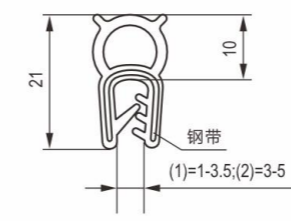
铁镀锌 M.S.Zinc plated	LG004-1-L
------------------------	-----------

LG006

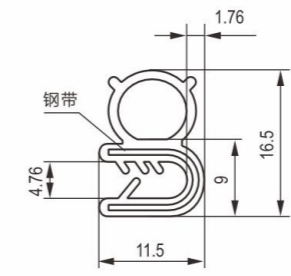


注：订购时请注明长度L。  
Note: Please Specify the length when place order.

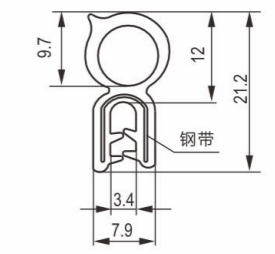
	型号 Model	A
铁镀锌 M.S.Zinc plated	LG006-1-L	18.5
	LG006-2-L	22.5
	LG006-3-L	27.5



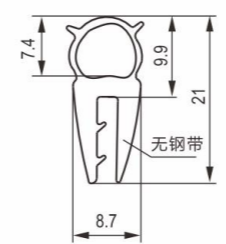
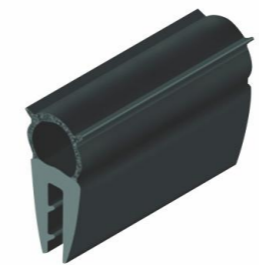
**MFT-001**  
黑色三元乙丙钢带密封条  
Black EPDM sealing strip(with steel sheet)



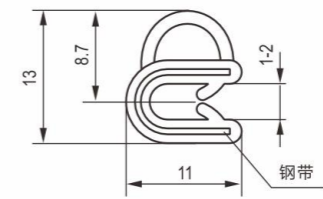
**MFT-002**  
黑色三元乙丙钢带密封条  
Black EPDM sealing strip(with steel sheet)



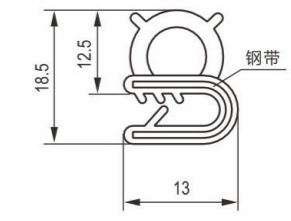
**MFT-003**  
黑色三元乙丙钢带密封条  
Black EPDM sealing strip(with steel sheet)



**MFT-004**  
黑色三元乙丙无钢带密封条  
Black EPDM sealing strip(no steel sheet)



**MFT-008**  
黑色三元乙丙钢带密封条  
Black EPDM sealing strip(with steel sheet)



**MFT-009**  
黑色三元乙丙钢带密封条  
Black EPDM sealing strip(with steel sheet)

Rod Control Lock  
平面锁  
执手锁  
拉手  
Cam lock  
Hinge series  
搭扣锁  
不锈钢系列  
密码锁  
附件

连杆锁  
Rod Control Lock

平面锁  
Plane Lock

执手锁  
Handle Lock

拉手  
Handle

转舌锁  
Cam lock

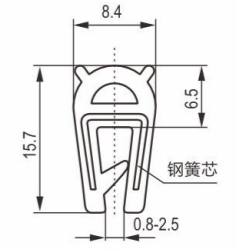
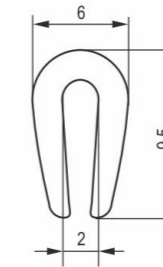
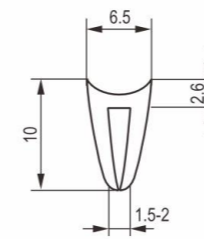
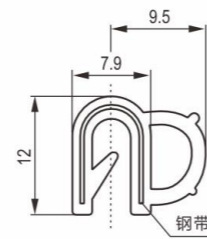
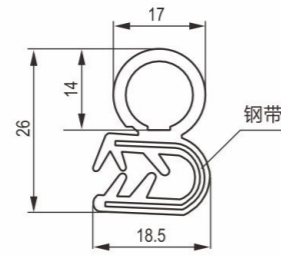
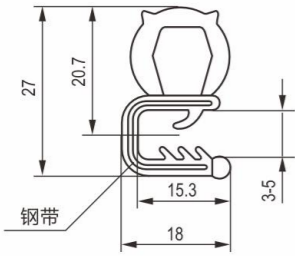
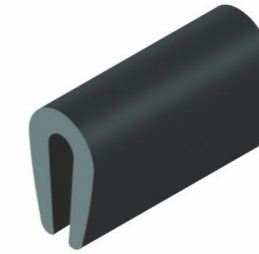
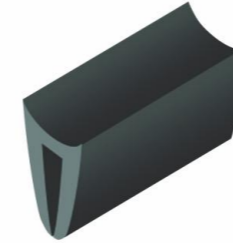
铰链系列  
Hinge series

搭扣锁  
Buckle Lock

不锈钢系列  
Stainless steel series

密码锁  
Combination lock

附件  
Accessories



**MFT-014**  
黑色三元乙丙钢带密封条  
Black EPDM sealing strip(with steel sheet)

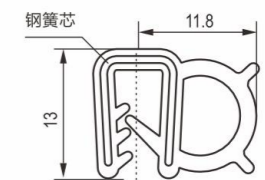
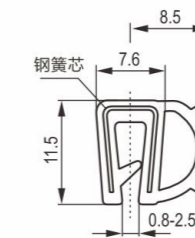
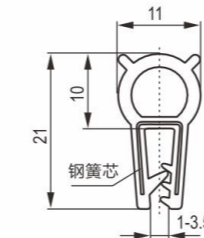
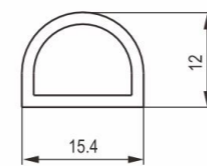
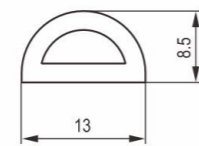
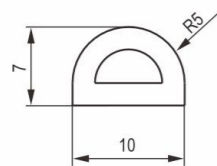
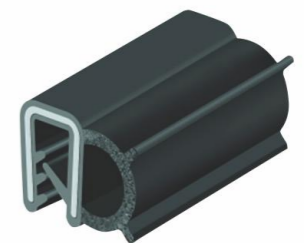
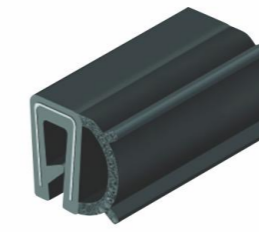
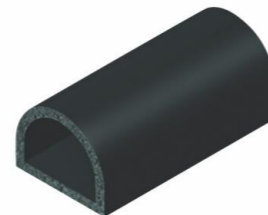
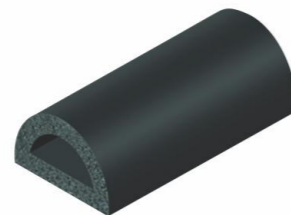
**MFT-015**  
黑色三元乙丙钢带密封条  
Black EPDM sealing strip(with steel sheet)

**MFT-018**  
黑色三元乙丙钢带密封条  
Black EPDM sealing strip(with steel sheet)

**MFT-059**  
黑色三元乙丙密实胶条  
Black EPDM Dense Strip

**MFT-076**  
黑色三元乙丙密实胶条  
Black EPDM Dense Strip

**MF-001**  
黑色三元乙丙钢丝胶条  
Black EPDM steel wire strip



**MFT-048**  
黑色三元乙丙海绵胶条  
Black EPDM Sponge Strip

**MFT-049**  
黑色三元乙丙海绵胶条  
Black EPDM Sponge Strip

**MFT-050**  
黑色三元乙丙海绵胶条  
Black EPDM Sponge Strip

**MF-002**  
黑色三元乙丙钢丝胶条  
Black EPDM steel wire strip

**MF-003**  
黑色三元乙丙钢丝胶条  
Black EPDM steel wire strip

**MF-004**  
黑色三元乙丙钢丝胶条  
Black EPDM steel wire strip

连杆锁  
Rod Control Lock

平面锁  
Plane Lock

执手锁  
Handle Lock

拉手  
Handle

转舌锁  
Cam lock

铰链系列  
Hinge series

搭扣锁  
Buckle Lock

不锈钢系列  
Stainless steel series

密码锁  
Combination lock

附件  
Accessories

连杆锁  
Rod Control Lock

平面锁  
Plane Lock

执手锁  
Handle Lock

拉手  
Handle

转舌锁  
Cam lock

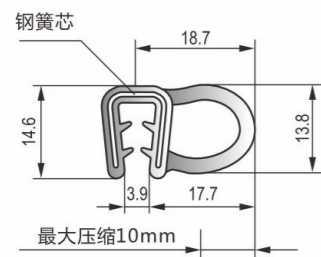
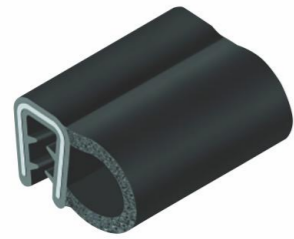
铰链系列  
Hinge series

搭扣锁  
Buckle Lock

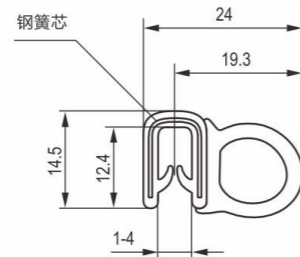
不锈钢系列  
Stainless steel series

密码锁  
Combination lock

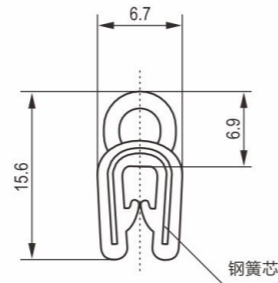
附件  
Accessories



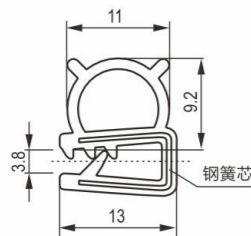
**MF-005**  
黑色三元乙丙钢丝胶条  
Black EPDM steel wire strip



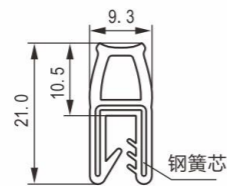
**MF-006**  
黑色三元乙丙钢丝胶条  
Black EPDM steel wire strip



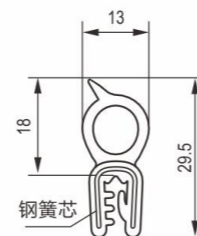
**MF-010**  
黑色三元乙丙钢丝胶条  
Black EPDM steel wire strip



**MF-011**  
黑色三元乙丙钢丝胶条  
Black EPDM steel wire strip



**MF-017**  
黑色三元乙丙钢丝胶条  
Black EPDM steel wire strip



**MF-018**  
黑色三元乙丙钢丝胶条  
Black EPDM steel wire strip

连杆锁  
Rod Control Lock

平面锁  
Plane Lock

执手锁  
Handle Lock

拉手  
Handle

转舌锁  
Cam lock

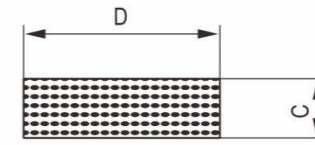
铰链系列  
Hinge series

搭扣锁  
Buckle Lock

不锈钢系列  
Stainless steel series

密码锁  
Combination lock

附件  
Accessories

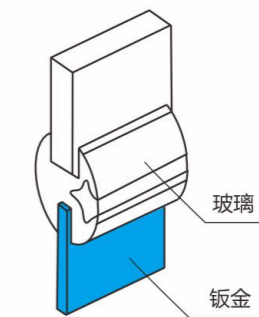
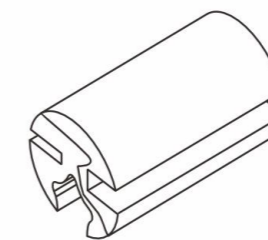
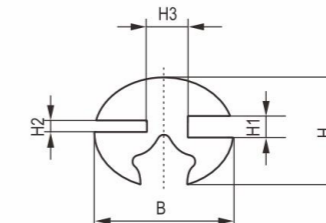


海绵发泡方形密封条

代号	C	D
MFT-079	1.5	18
MFT-080	2	10
MFT-081	2	12
MFT-082	2	15
MFT-083	2	20
MFT-084	3	6
MFT-085	3	10
MFT-086	3	12
MFT-087	3	15
MFT-088	3	18
MFT-089	3	20
MFT-090	3	25
MFT-091	3	30
MFT-092	3	35
MFT-093	4	10
MFT-094	4	12

代号	C	D
MFT-095	4	15
MFT-096	4	20
MFT-097	4	25
MFT-098	4	30
MFT-099	5	10
MFT-100	5	12
MFT-101	5	14
MFT-102	5	15
MFT-103	5	20
MFT-104	5	30
MFT-105	6	10
MFT-106	6	15
MFT-107	6	17
MFT-108	6	20
MFT-109	6	25
MFT-110	6	30

注：背面胶带可选择进口综研胶带、网格纤维胶带、3M胶带或者其他品牌胶带。



观察窗胶条

代号	B	H	H1	H2	H3
MFT-119	29	23	5	2	8
MFT-120	26	18	5	2	5
MFT-121	21	17	5	2	5
MFT-122	19	14	4	1.5	4
MFT-123	15	10	3	3	3

连杆锁  
Rod Control Lock

平面锁  
Plane Lock

执手锁  
Handle Lock

拉手  
Handle

转舌锁  
Cam lock

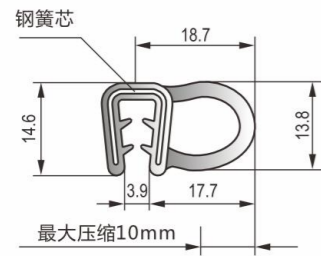
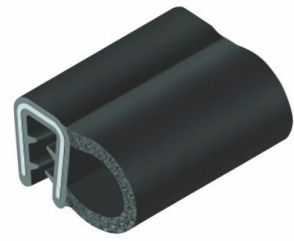
铰链系列  
Hinge series

搭扣锁  
Buckle Lock

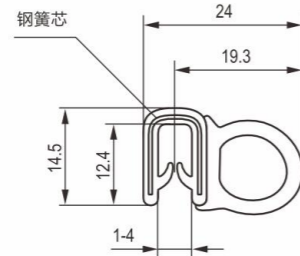
不锈钢系列  
Stainless steel series

密码锁  
Combination lock

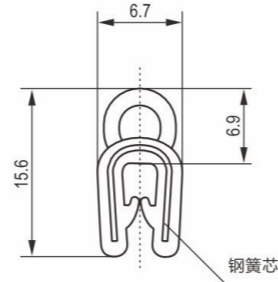
附件  
Accessories



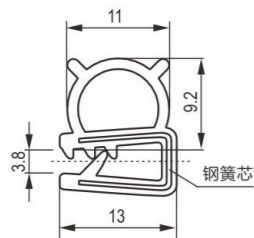
**MF-005**  
黑色三元乙丙钢丝胶条  
Black EPDM steel wire strip



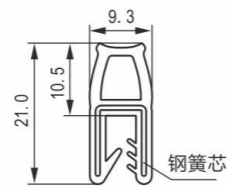
**MF-006**  
黑色三元乙丙钢丝胶条  
Black EPDM steel wire strip



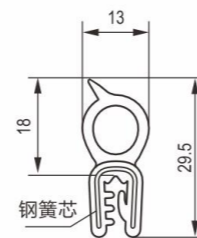
**MF-010**  
黑色三元乙丙钢丝胶条  
Black EPDM steel wire strip



**MF-011**  
黑色三元乙丙钢丝胶条  
Black EPDM steel wire strip



**MF-017**  
黑色三元乙丙钢丝胶条  
Black EPDM steel wire strip



**MF-018**  
黑色三元乙丙钢丝胶条  
Black EPDM steel wire strip

连杆锁  
Rod Control Lock

平面锁  
Plane Lock

执手锁  
Handle Lock

拉手  
Handle

转舌锁  
Cam lock

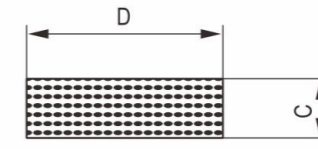
铰链系列  
Hinge series

搭扣锁  
Buckle Lock

不锈钢系列  
Stainless steel series

密码锁  
Combination lock

附件  
Accessories

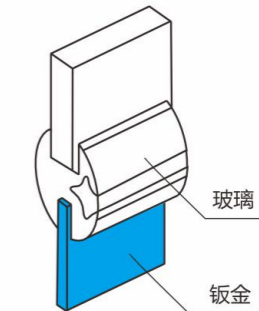
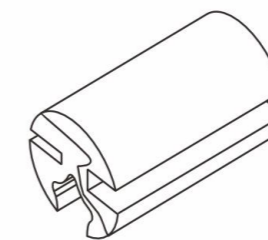
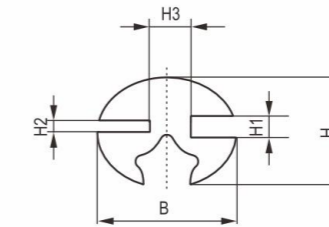


海绵发泡方形密封条 Foam-filled square sealing strip

代号 Code	C	D
MFT-079	1.5	18
MFT-080	2	10
MFT-081	2	12
MFT-082	2	15
MFT-083	2	20
MFT-084	3	6
MFT-085	3	10
MFT-086	3	12
MFT-087	3	15
MFT-088	3	18
MFT-089	3	20
MFT-090	3	25
MFT-091	3	30
MFT-092	3	35
MFT-093	4	10
MFT-094	4	12

代号 Code	C	D
MFT-095	4	15
MFT-096	4	20
MFT-097	4	25
MFT-098	4	30
MFT-099	5	10
MFT-100	5	12
MFT-101	5	14
MFT-102	5	15
MFT-103	5	20
MFT-104	5	30
MFT-105	6	10
MFT-106	6	15
MFT-107	6	17
MFT-108	6	20
MFT-109	6	25
MFT-110	6	30

注：背面胶带可选择进口综研胶带、网格纤维胶带、3M胶带或者其他品牌胶带。  
Note: The adhesive tape on the back can be chosen from imported SOKEN adhesive tape, grid fiber adhesive tape, 3M adhesive tape or other brands of adhesive tape.



观察窗胶条 Viewport Gasket

代号	B	H	H1	H2	H3
MFT-119	29	23	5	2	8
MFT-120	26	18	5	2	5
MFT-121	21	17	5	2	5
MFT-122	19	14	4	1.5	4
MFT-123	15	10	3	3	3