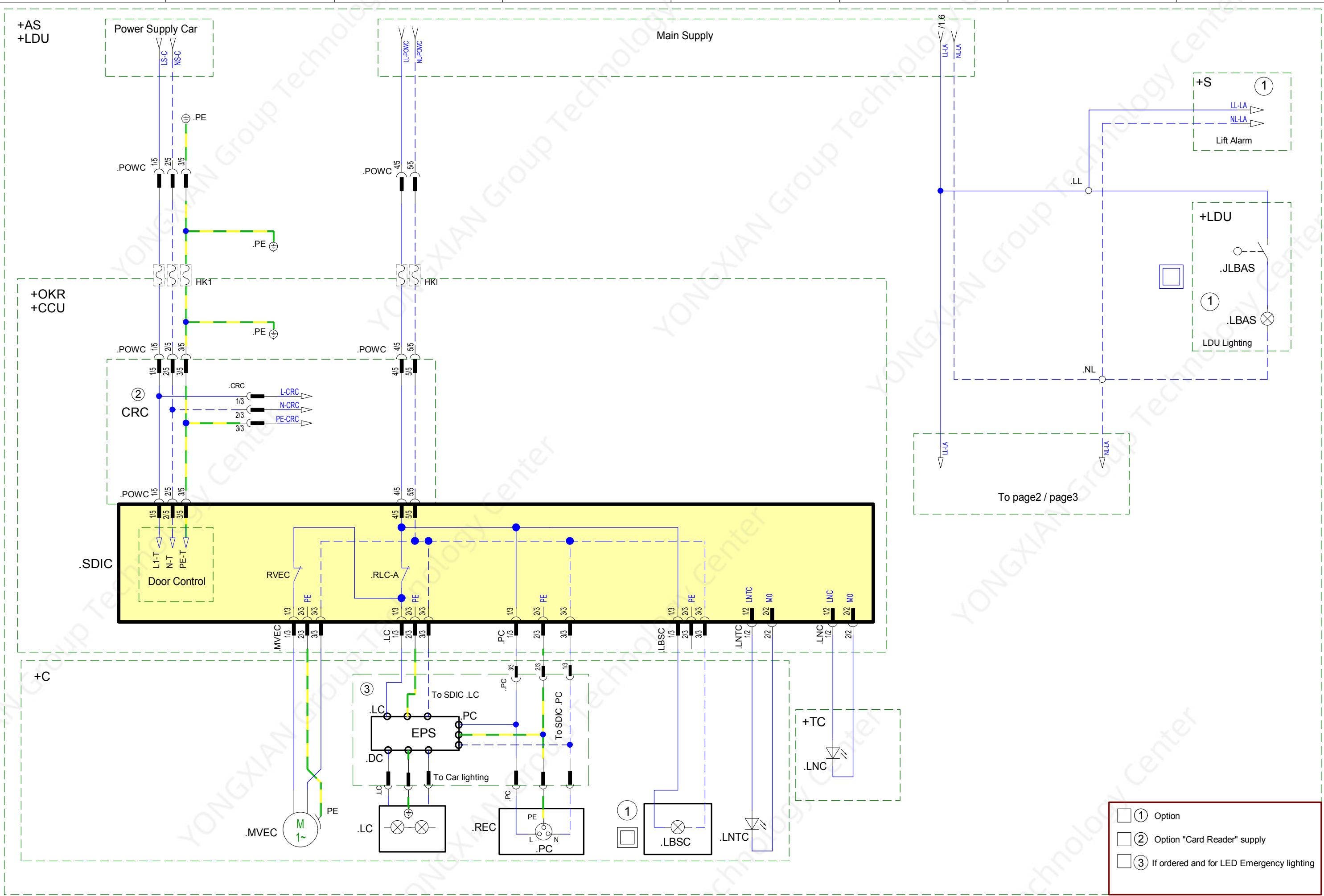




Shindler 3300 BIONIC 7

Electrical Schematic Diagrams

SCH-ES-E1520643_20170108-2025-0005



To page2 / page3

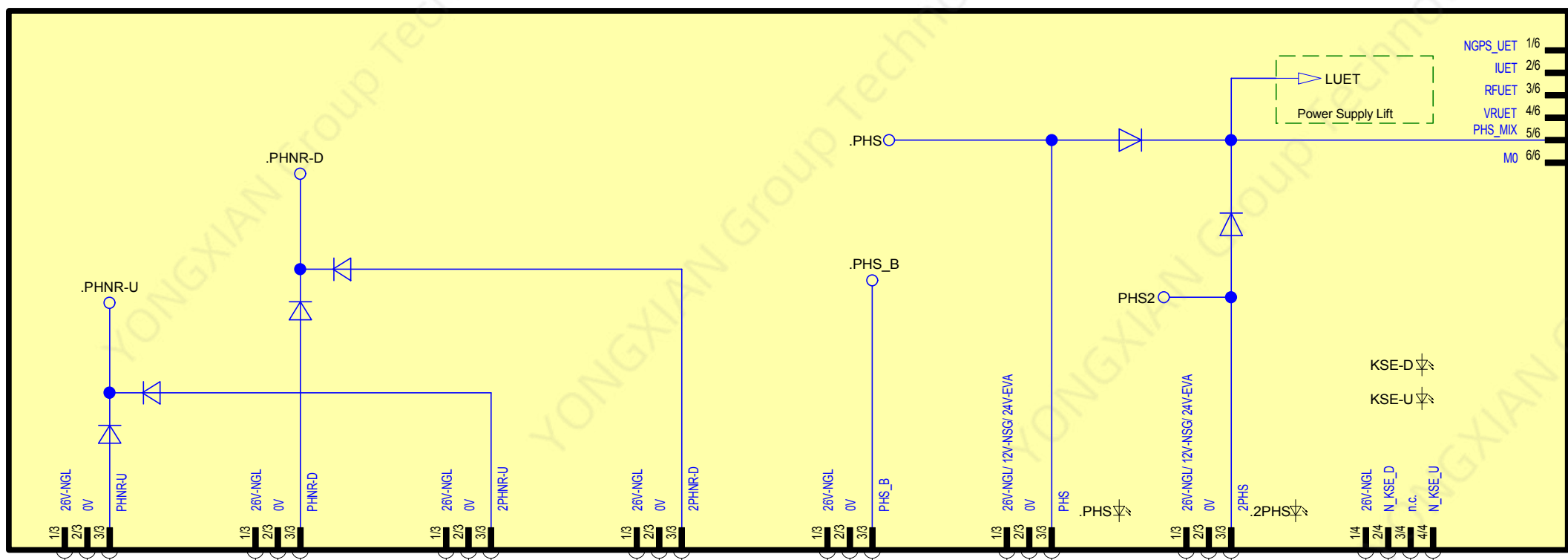
- ① Option
- ② Option "Card Reader" supply
- ③ If ordered and for LED Emergency lighting

| | | | | | | | | | | | | | | | | | | | |
|----------------------------------|--------------|------------|------------|------------|------|------|------|-----------------|----------------|-------------|------------|---------|-----------------------|-------------|------------|-----------|---|--------|----|
| INVENTIO AG CH-6052 Hergiswil | Modification | Ae 0 | Ae 1 | Ae 2 | Ae 3 | Ae 4 | Ae 5 | Archive No. | 11220 | Created | 2017-07-05 | liueric | Commission | Location | Inst. | No. pages | 1 | Format | A3 |
| | KA-No. | 593180 | 594132 | 594575 | | | | Replaces / Mod. | | Checked | 2017-07-05 | wangtge | Power Light | Lead Office | | Page | 1 | Lang. | EN |
| | Date | 2016-10-08 | 2017-02-25 | 2017-09-30 | | | | Basis drawing | S45326065.2 P1 | Norms check | 2017-07-05 | wangtge | BIONIC 7 Light Supply | AP1 | S 45326065 | | | | |

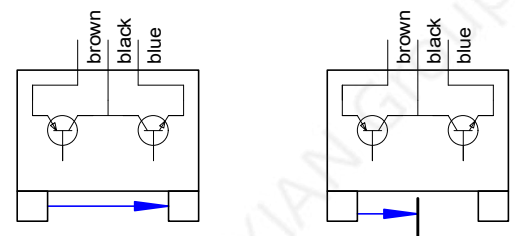
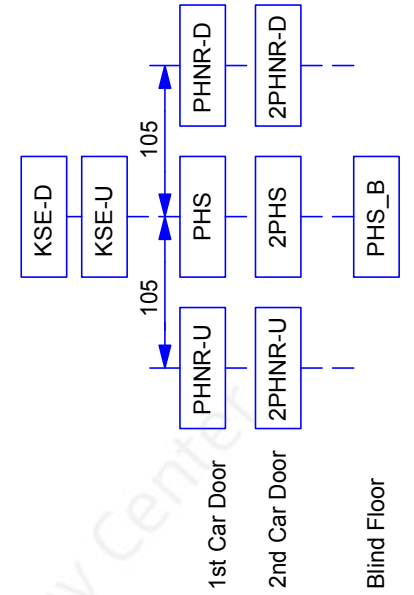
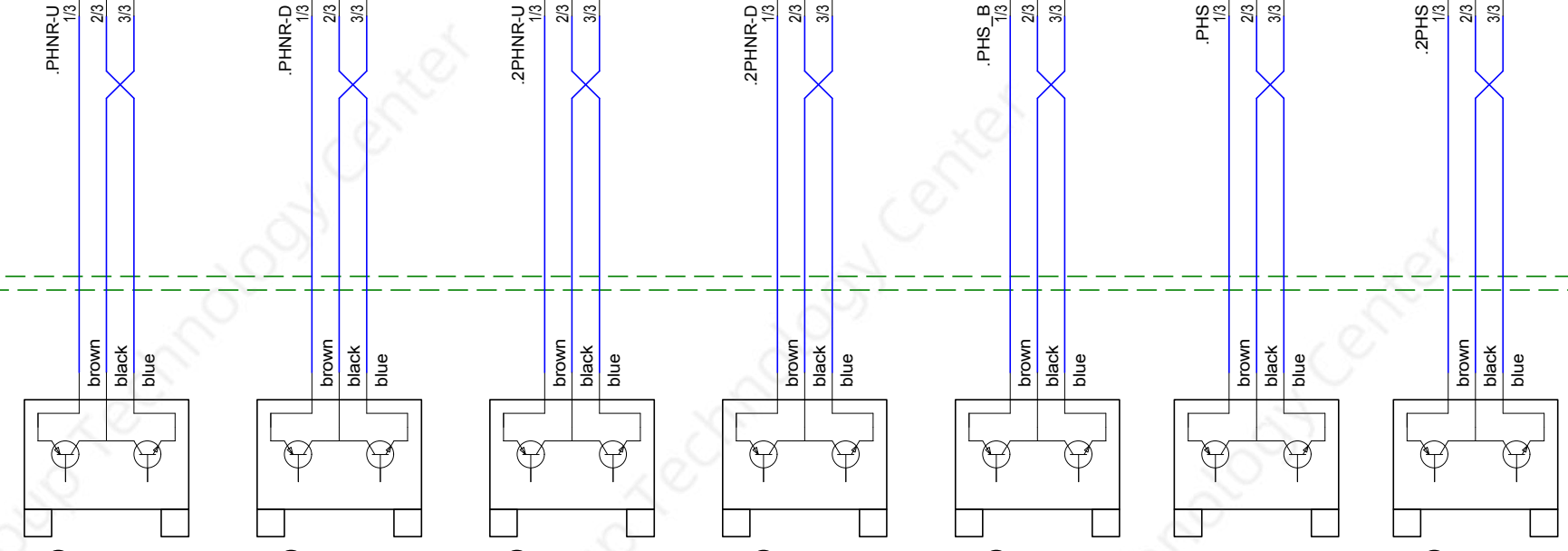
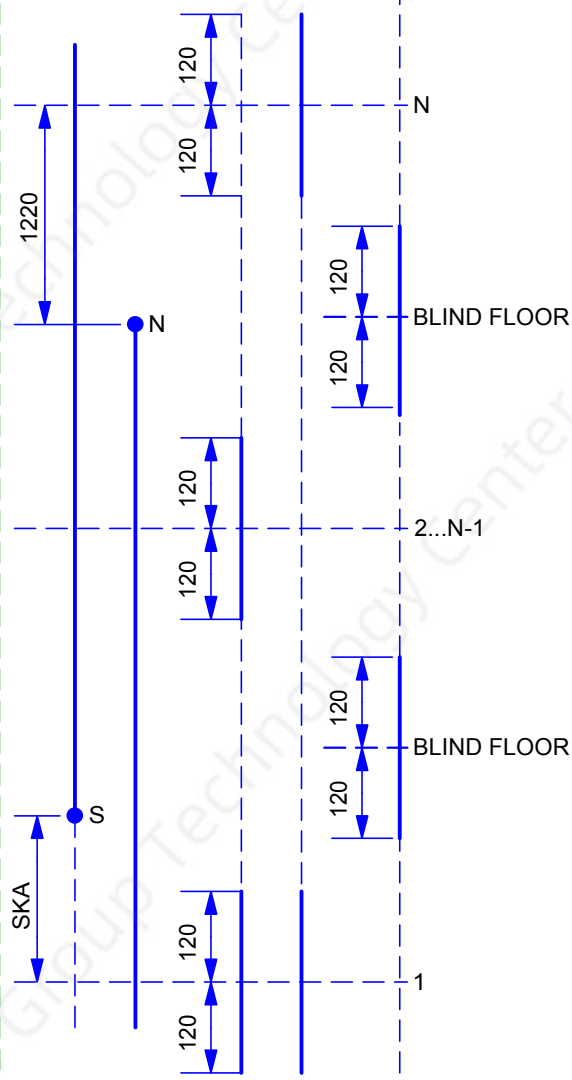
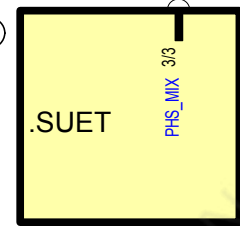
+OKR
+CCU

.SDIC

+C



- NGPS_UET 1/6
- IUET 2/6
- RFUET 3/6
- VRUET 4/6
- PHS_MIX 5/6
- M0 6/6



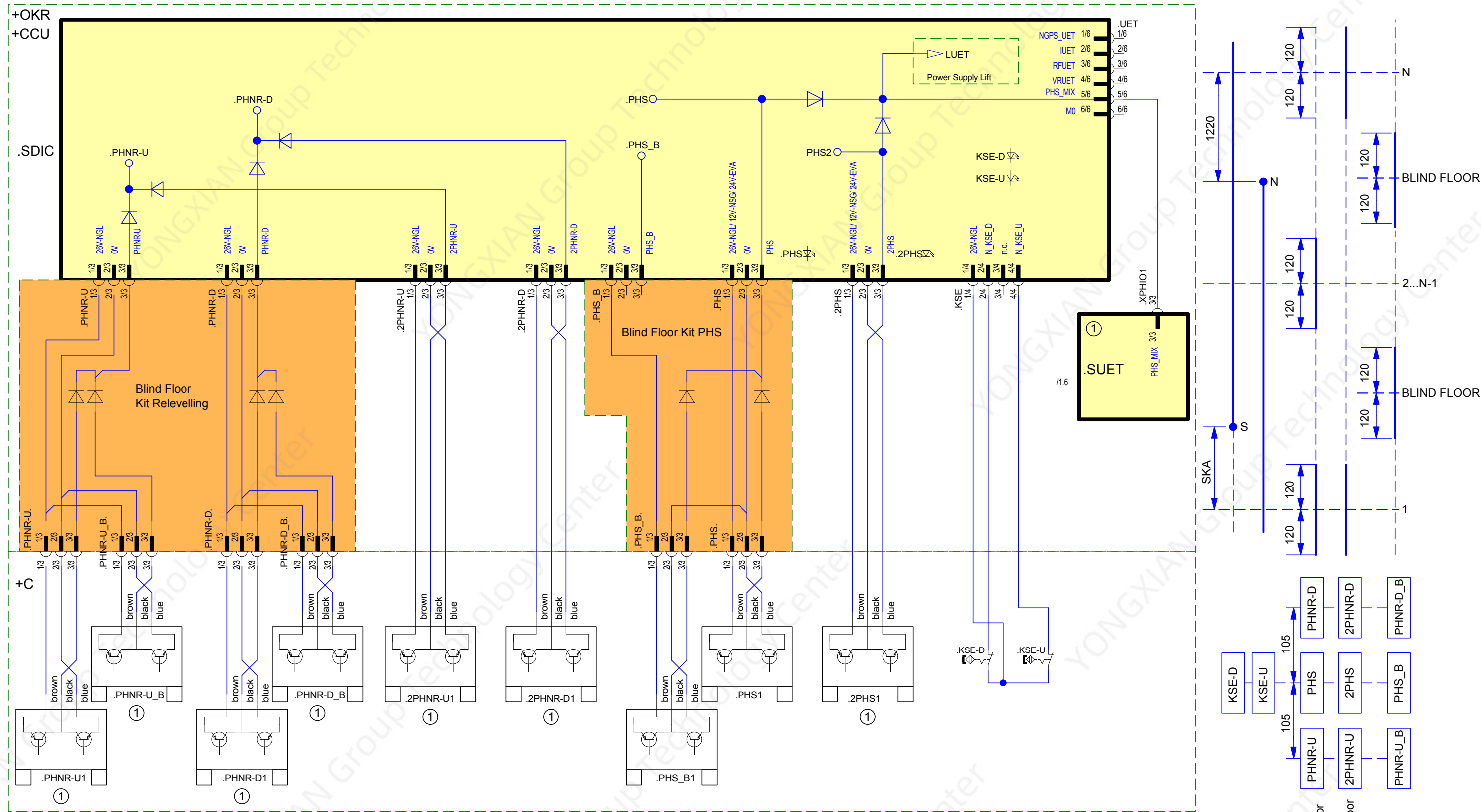
| | | |
|----|---|--|
| NO | Light beam not interrupted Output (black) = 0V | Light beam interrupted Output (black) = +24V(Usp) |
|----|---|--|

| | | |
|-----|---------|---------|
| VKN | 1 m/s | 1.6 m/s |
| SKA | 1250 mm | |

VKN = Rated speed
SKA = Stopping distance

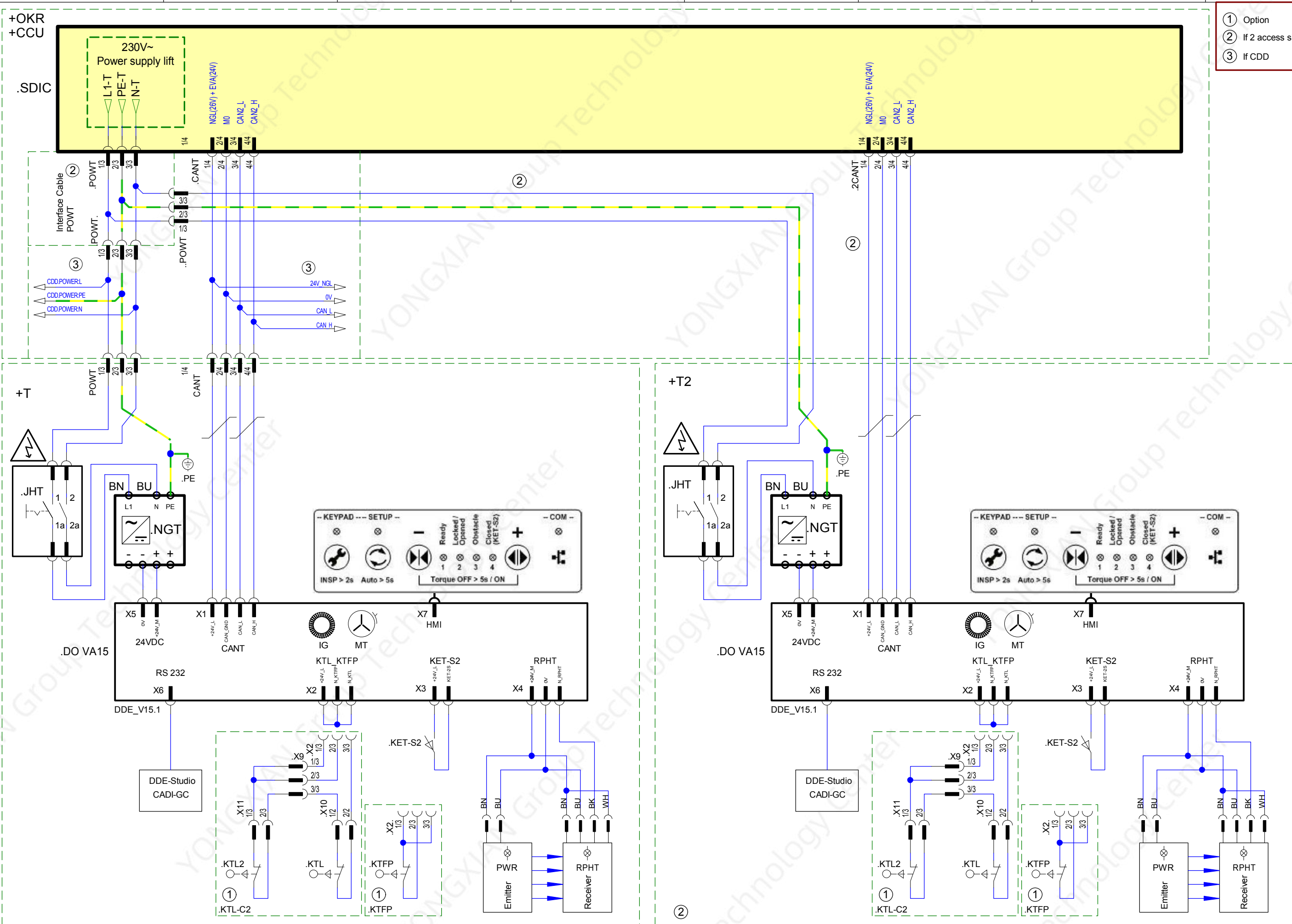
① Option

| | | | | | | | | | | | | | | | | | | | | | |
|----------------------------------|--------------|----------|------|------|------|------|------|-------------|-----------------|----------------|--------------|----------|------------|-----------|-------------|-----------|------------|--------|----|-------|----|
| INVENTIO AG CH-6052 Hergiswil | Modification | Ae 0 | Ae 1 | Ae 2 | Ae 3 | Ae 4 | Ae 5 | Archive No. | 11220 | Created | 16-01-25 | xianying | Commission | Location | Inst. | No. pages | 2 | Format | A3 | | |
| | KA-No. | 593180 | | | | | | | Replaces / Mod. | | Checked | 16-02-20 | liueric | Shaftinfo | Lead Office | AP1 | S 45326067 | Page | 1 | Lang. | EN |
| | Date | 16-10-08 | | | | | | | Basis drawing | S45326067.0 P1 | Norms check. | 16-02-20 | wangtige | | | | | | | | |



① Option

| | | | | | | | | | | | | | | | | | | | |
|----------------------------------|--------------|----------|------|------|------|------|------|-----------------|-----------------|--------------|----------|----------|--|-------------|------------|-----------|---|--------|----|
| INVENTIO AG CH-6052 Hergiswil | Modification | Ae 0 | Ae 1 | Ae 2 | Ae 3 | Ae 4 | Ae 5 | Archive No. | 11220 | Created | 16-01-25 | xianying | Commission | Location | Inst. | No. pages | 2 | Format | A3 |
| | KA-No. | 593180 | | | | | | Replaces / Mod. | | Checked | 16-02-20 | liueric | Shaftinfo | Lead Office | | Page | 2 | Lang. | EN |
| | Date | 16-10-08 | | | | | | Basis drawing | S 45326067.0 P2 | Norms check. | 16-02-20 | wangtge | | AP1 | S 45326067 | | | | |
| Released | 16-10-08 | | | | | | | | | | | kunzbr | BIONIC 7 Shaftinfo with Photocell and Blind Floor Kits | | | | | | |



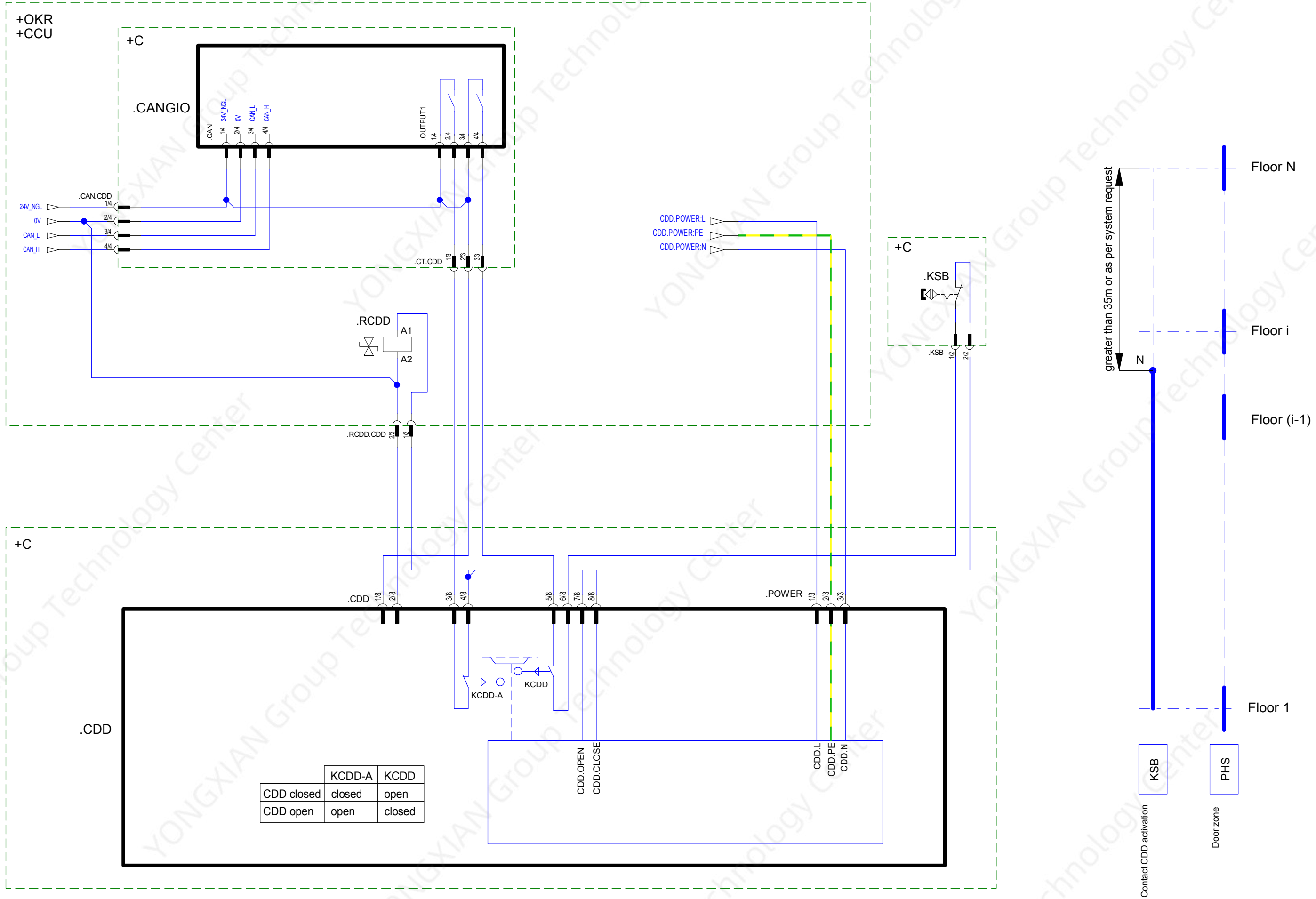
- ① Option
- ② If 2 access sides (ZKE = 2)
- ③ If CDD

45326069_S_000_2_@Tg132
Plot-Date: 5/8/2017

ECAD

| | | | | | | | | | | | | | | | | | | | | |
|----------------------------------|--------------|----------|----------|------|------|------|------|-----------------|-----------------|-------------|----------|----------|--------------|-------------|-------|------------|------|--------|-------|----|
| INVENTIO AG CH-6052 Hergiswil | Modification | Ae 0 | Ae 1 | Ae 2 | Ae 3 | Ae 4 | Ae 5 | Archive No. | 11220 | Created | 16-08-24 | xianying | Commission | Location | Inst. | No. pages | 2 | Format | A3 | |
| | KA-No. | 593180 | 594132 | | | | | Replaces / Mod. | | Checked | 16-08-25 | suneddy | Door Control | Lead Office | AP1 | S 45326069 | Page | 1 | Lang. | EN |
| | Date | 16-10-08 | 17-02-25 | | | | | Basis drawing | S 45326069.1 P1 | Norms check | 16-08-25 | liueric | | | | | | | | |
| Flag: | 1 | 2 | 3 | 4 | 5 | 6 | 7 | 8 | | Released | 17-02-25 | kunzbr | | | | | | | | |

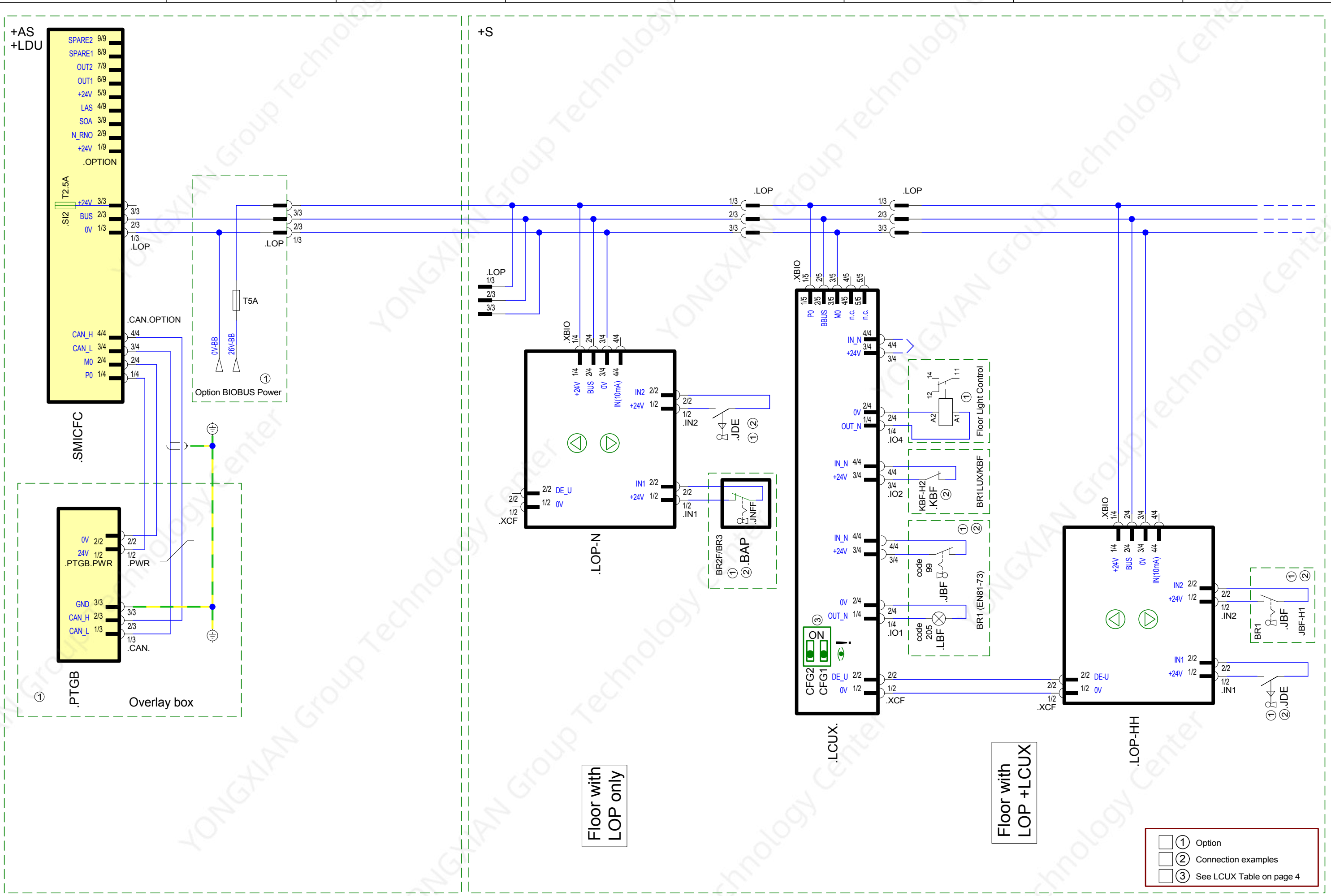
Important: Update with the newest special CDD FW for CANGIO PCBA



45326069_S_000_2_0706132
Plot-Date: 5/8/2017

ECAD

| | | | | | | | | | | | | | | | | | |
|----------------------------------|--------------|----------|----------|------|------|------|------|-----------------|-----------------|--------------|----------|------------------------------|-------------|----------|------------|-----------|--------|
| INVENTIO AG CH-6052 Hergiswil | Modification | Ae 0 | Ae 1 | Ae 2 | Ae 3 | Ae 4 | Ae 5 | Archive No. | 11220 | Created | 16-08-24 | xianying | Commission | Location | Inst. | No. pages | Format |
| | KA-No. | 593180 | 594132 | | | | | Replaces / Mod. | | Checked | 16-08-25 | suneddy | CDD Control | AP1 | S 45326069 | 2 | A3 |
| | Date | 16-10-08 | 17-02-25 | | | | | Basis drawing | S 45326069.1 P2 | Norms check. | 16-18-25 | liueric | | | | Page | Lang. |
| Flag: | 1 | 2 | 3 | 4 | 5 | 6 | 7 | 8 | Released | 17-02-25 | kunzbr | BIONIC 7 Door DriveDO VAR 15 | | | | 2 | EN |

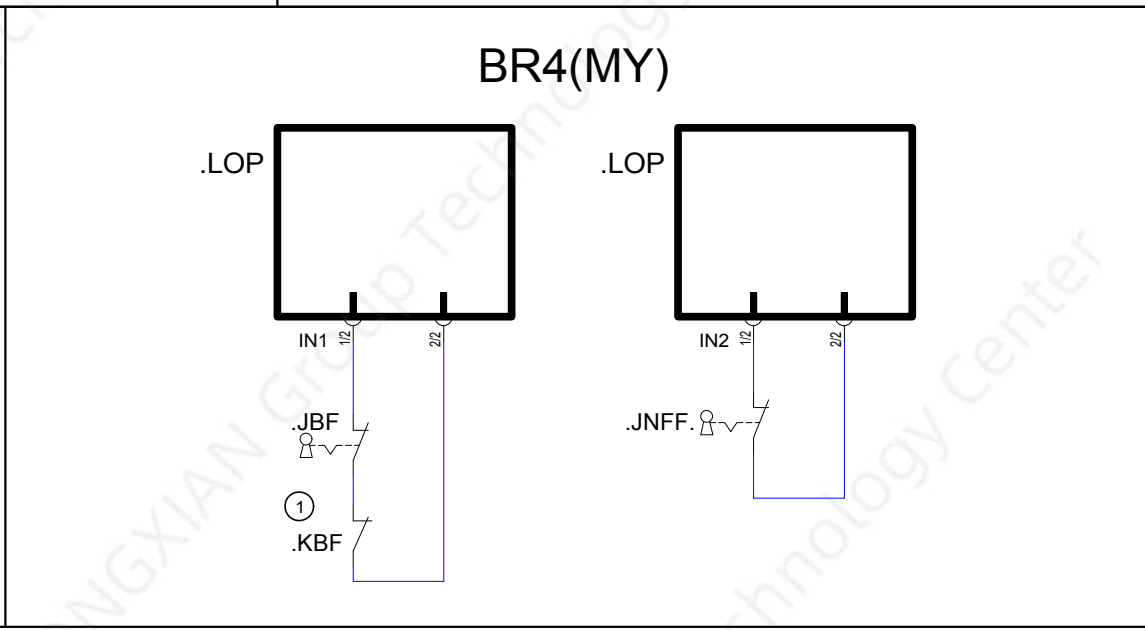
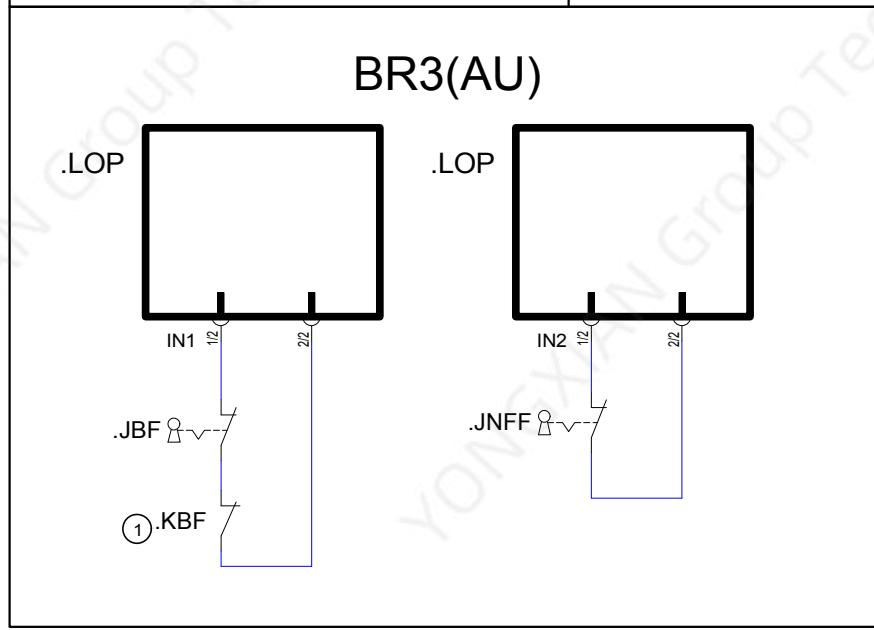
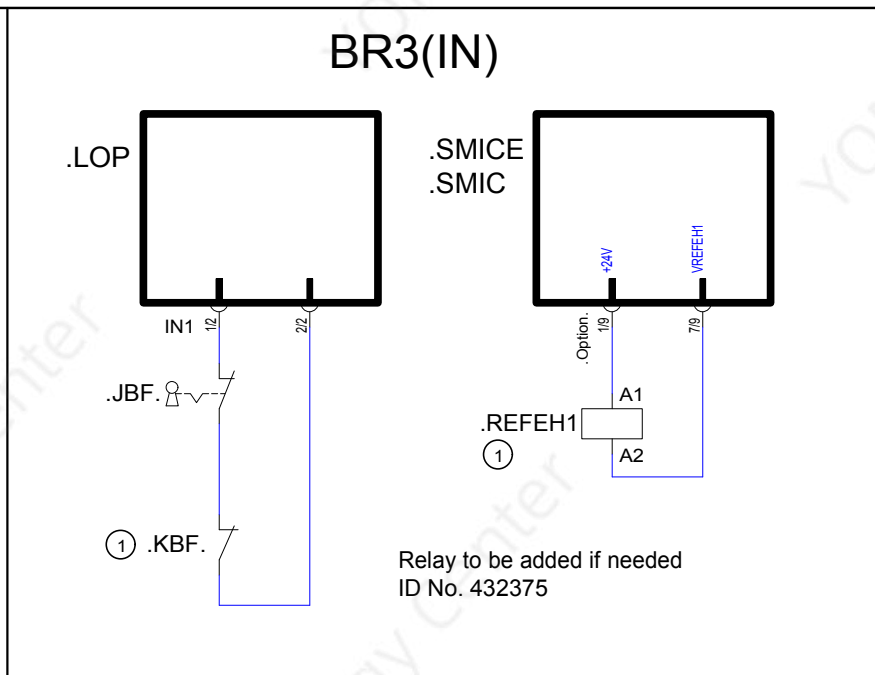
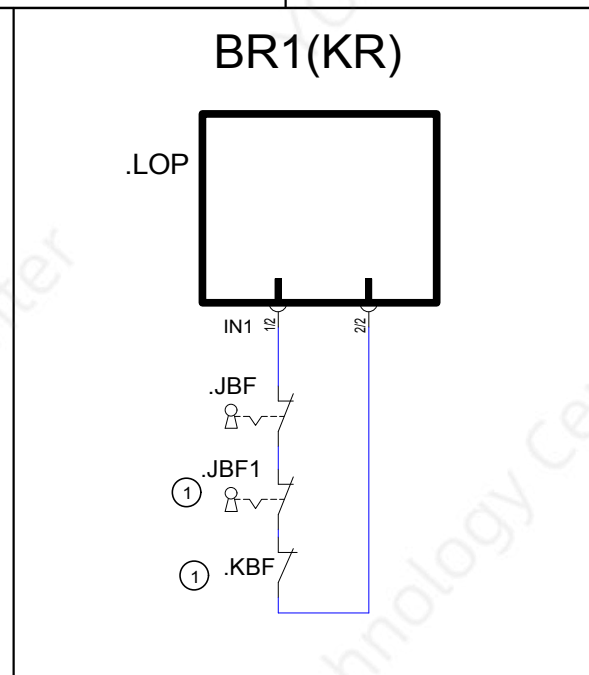
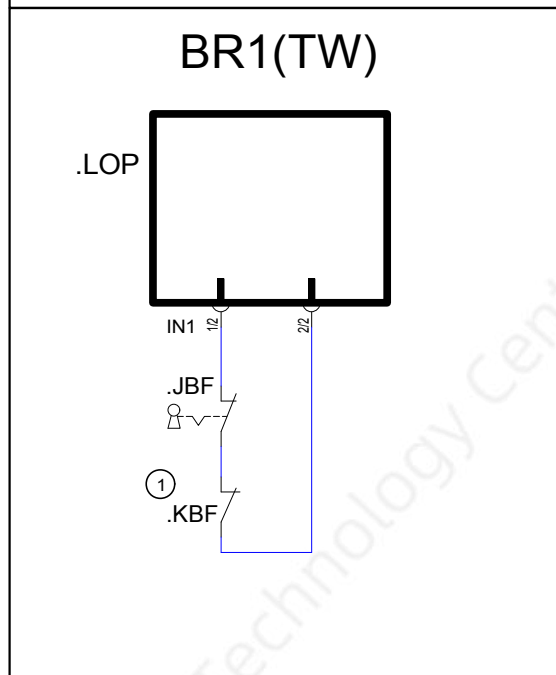
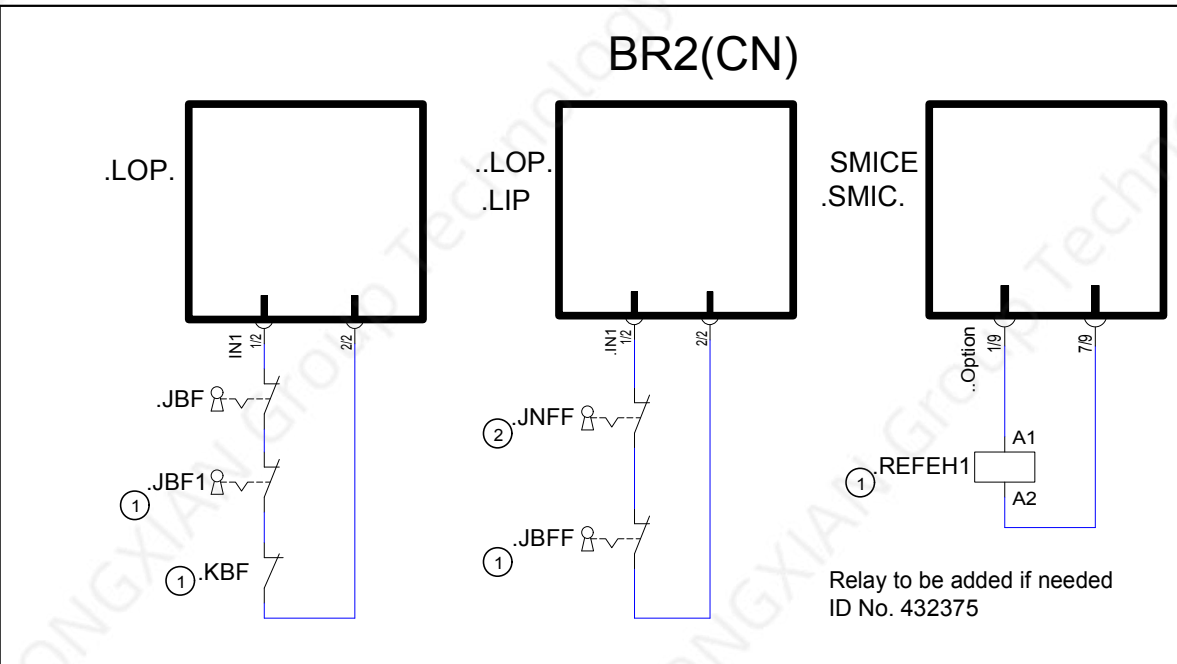
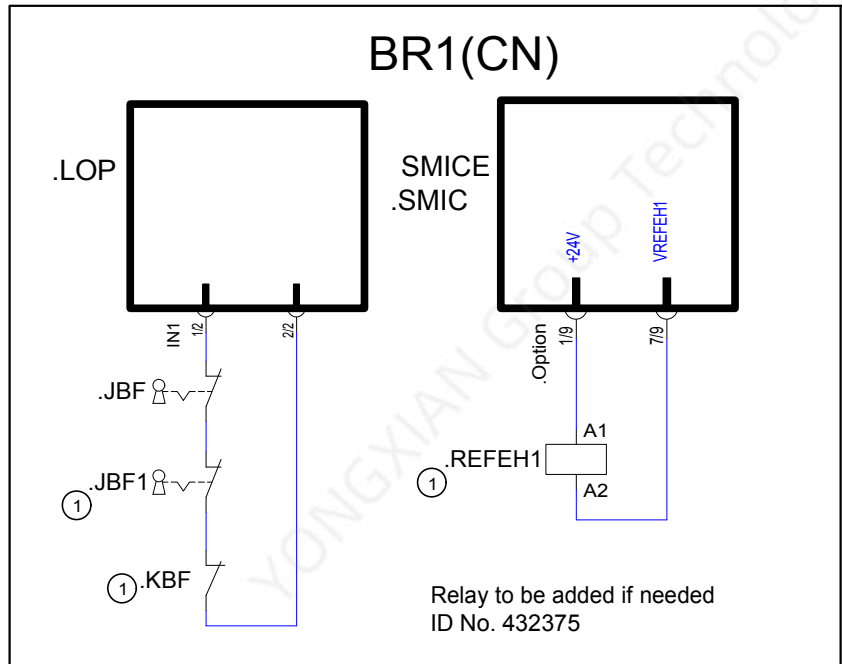


Floor with LOP only

Floor with LOP + LCUX

- ① Option
- ② Connection examples
- ③ See LCUX Table on page 4

| | | | | | | | | | | | | | | | | | | | |
|----------------------------------|--------------|----------|------|------|------|------|------|-----------------|-----------------|----------|----------|----------|----------------------------------|-------------|------------|-----------|---|--------|----|
| INVENTIO AG CH-6052 Hergiswil | Modification | Ae 0 | Ae 1 | Ae 2 | Ae 3 | Ae 4 | Ae 5 | Archive No. | 11220 | Created | 16-01-25 | xianying | Commission | Location | Inst. | No. pages | 6 | Format | A3 |
| | KA-No. | 593180 | | | | | | Replaces / Mod. | | Checked | 16-02-20 | wangtige | Landing Operation Panel | Lead Office | | Page | 1 | Lang. | EN |
| | Date | 16-10-08 | | | | | | Basis drawing | S 45326070.0 P1 | Released | 16-10-08 | kunzbr | BIONIC 7 BIO Bus Interface FI GS | AP1 | S 45326070 | | | | |



Definition of Wiring Priority

| | First Priority | Second Priority | Third Priority |
|--|----------------|-----------------|----------------|
| JBF: manual configuration JAB: code 49 JNFF: code 56 * closed contact | | | |
| If only one of JBF or JAB | | | |
| If two of JBF or JAB or JNFF | | | |
| If all three JBF and JAB and JNFF | | | |

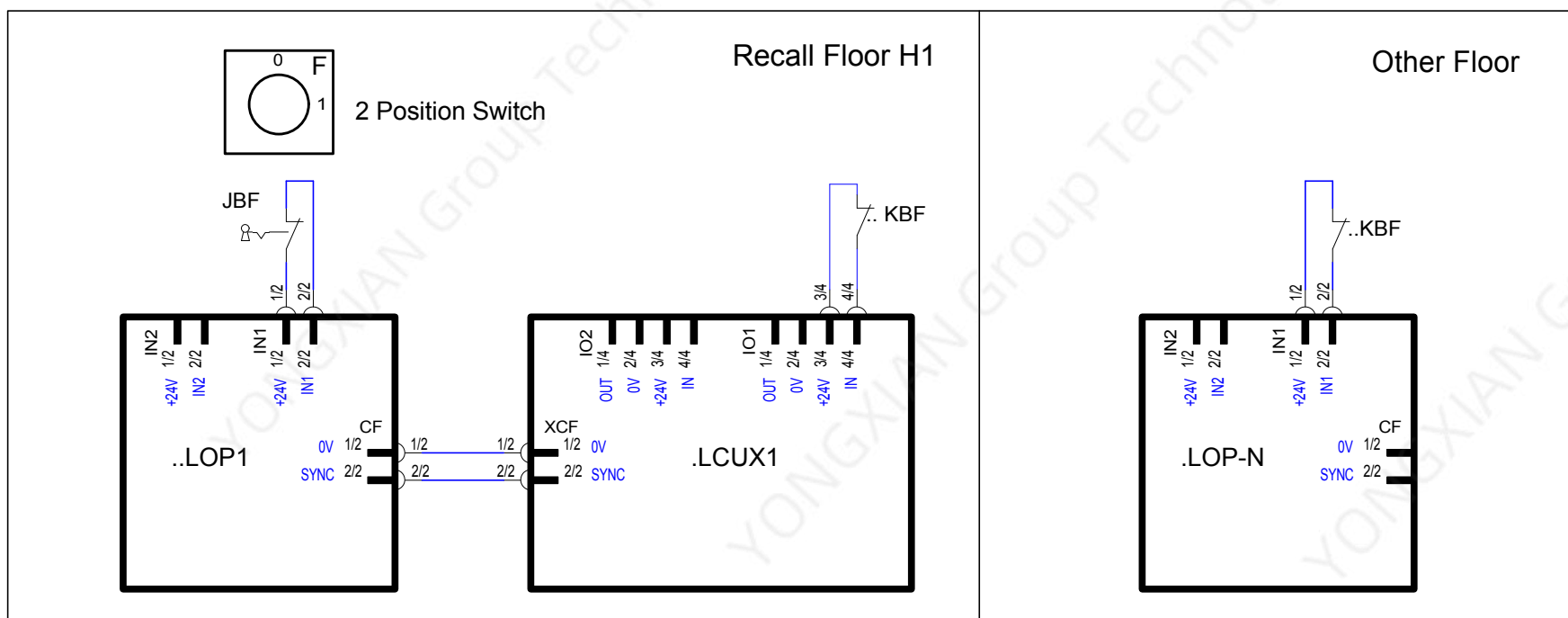
LCUX Table

| Only for NOT floor related input/output | | | |
|---|---------------|------|----------------|
| Eye ! | LCUX settings | | XCF connection |
| | CFG1 | CFG2 | |
| First | OFF | ON | NO |
| Second | ON | OFF | |
| Third | ON | ON | |
| Only for floor related input/output | | | |
| Eye ! | LCUX settings | | XCF connection |
| | CFG1 | CFG2 | |
| Fourth | OFF | OFF | Yes |

- ① Option
- ② Connection examples
- ③ Only for NOT floor related input/output

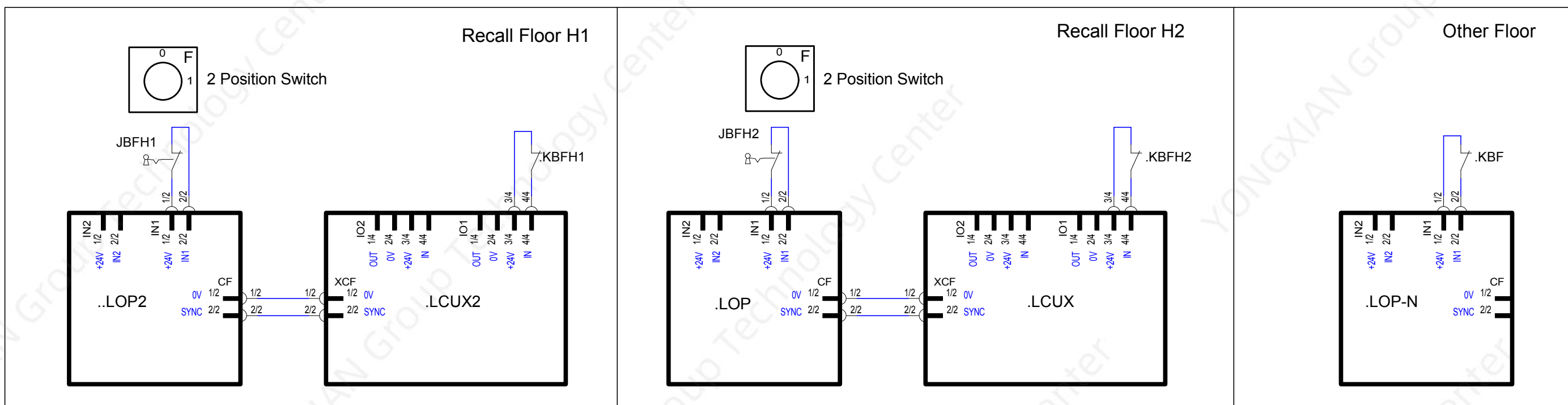
| | | | | | | | | | | | | | | | | | | | | | | |
|----------------------------------|--------------|----------|------|------|------|------|------|-----------------|----------------|--------------|----------|----------|----------------------------------|--|-------------|-----|-------|--|-----------|---|--------|----|
| INVENTIO AG CH-6052 Hergiswil | Modification | Ae 0 | Ae 1 | Ae 2 | Ae 3 | Ae 4 | Ae 5 | Archive No. | 11220 | Created | 16-01-25 | xianying | Commission | | Location | | Inst. | | No. pages | 6 | Format | A3 |
| | KA-No. | 593180 | | | | | | Replaces / Mod. | | Checked | 16-02-20 | wangtige | Landing Operation Panel | | Lead Office | AP1 | | | Page | 4 | Lang. | EN |
| | Date | 16-10-08 | | | | | | Basis drawing | S45326070.0 P4 | Norms check. | 16-02-20 | suneddy | BIONIC 7 BIO Bus Interface FI GS | | | | | | | | | |
| | | | | | | | | | | Released | 16-10-08 | kunzbr | | | | | | | | | | |

BR3(ME) TYPE-A
Triggered by JBF or KBF



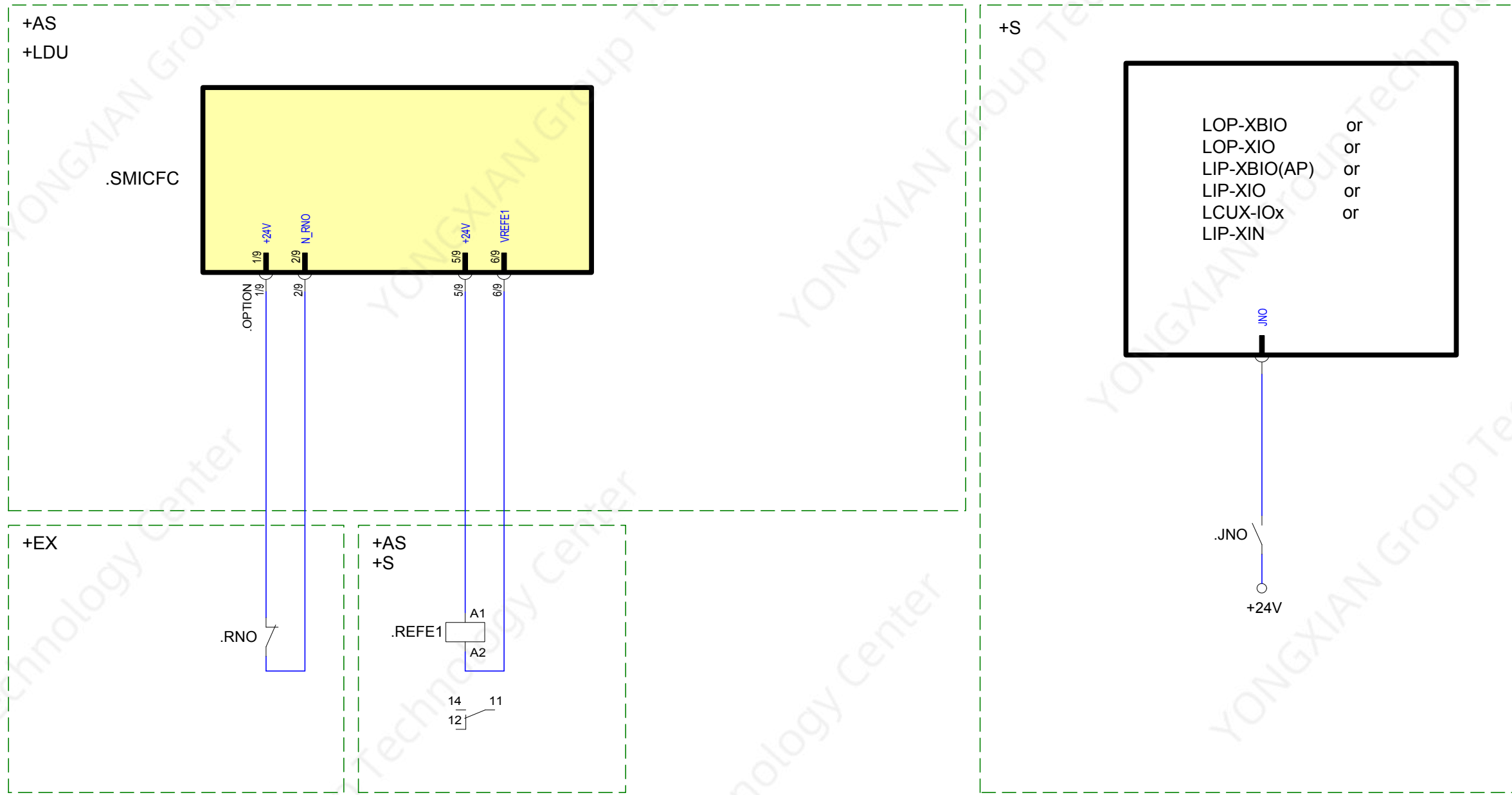
| | | | |
|-----------------|-----|---------------|-----|
| Recall Floor H1 | JBF | BMK Code: 99 | LOP |
| Other Floor | KBF | BMK Code: 112 | LOP |

BR3(ME) TYPE-B
Triggered by JBFH1/2 or KBFH1/2 or KBF

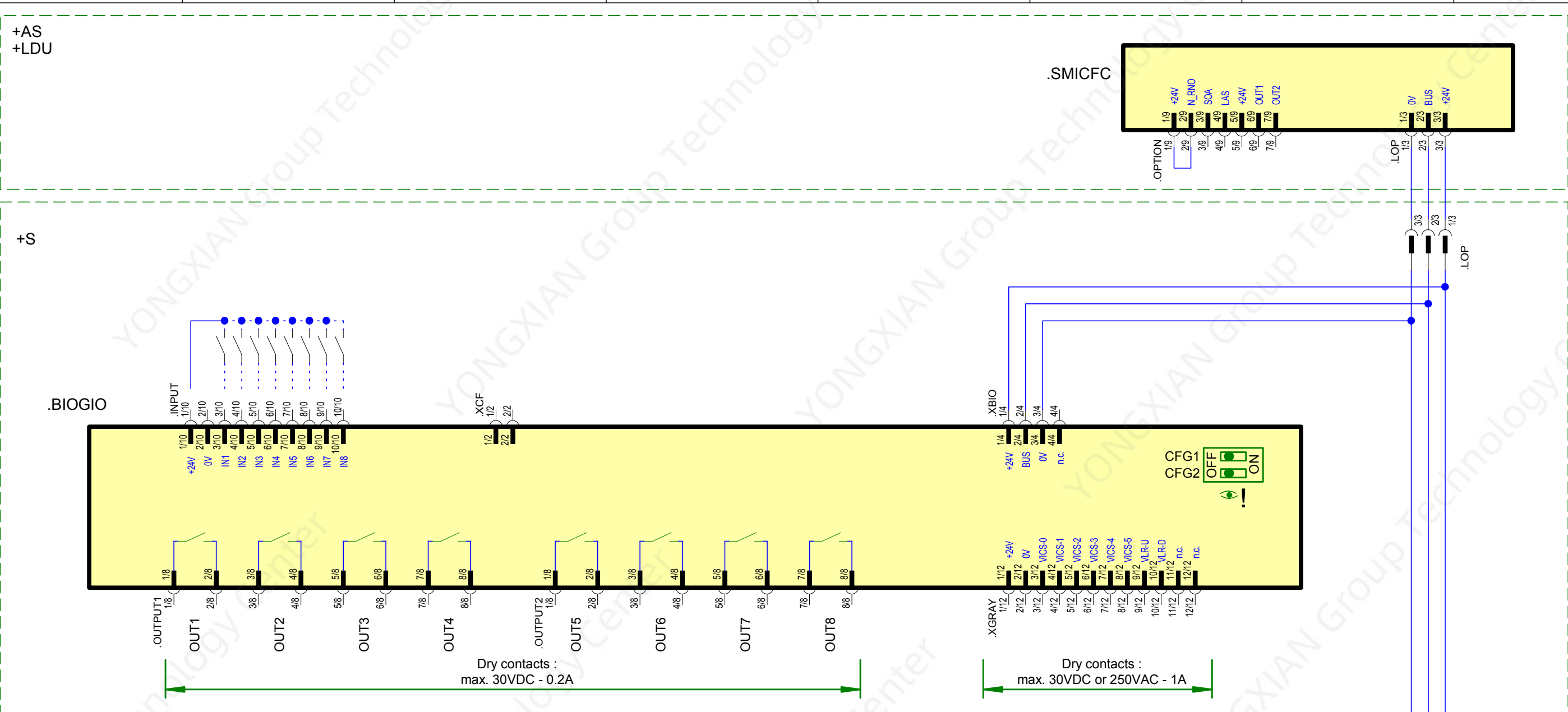


| | | | |
|-----------------|-------|---------------|------|
| Recall Floor H1 | JBFH1 | BMK Code: 26 | LOP |
| | KBFH1 | BMK Code: 113 | LCUX |
| Recall Floor H2 | JBFH2 | BMK Code: 27 | LOP |
| | KBFH2 | BMK Code: 114 | LCUX |
| Other Floor | KBF | BMK Code: 112 | LOP |

| | | | | | | | | | | | | | | | | | | | | |
|----------------------------------|--------------|----------|------|------|------|------|------|-----------------|----------------|--------------|----------|----------|---|-------------|-------|------------|------|--------|-------|----|
| INVENTIO AG CH-6052 Hergiswil | Modification | Ae 0 | Ae 1 | Ae 2 | Ae 3 | Ae 4 | Ae 5 | Archive No. | 11220 | Created | 16-01-25 | xianying | Commission Landing Operation Panel BIONIC 7 BIO Bus Interface FI GS | Location | Inst. | No. pages | 6 | Format | A3 | |
| | KA-No. | 593180 | | | | | | Replaces / Mod. | | Checked | 16-02-20 | wangtige | | Lead Office | AP1 | S 45326070 | Page | 5 | Lang. | EN |
| | Date | 16-10-08 | | | | | | Basis drawing | S45326070.0 P5 | Norms check. | 16-02-20 | suneddy | | | | | | | | |
| | | | | | | | | | | Released | 16-10-08 | kunzbr | | | | | | | | |



| | | | | | | | | | | | | | | | | | | |
|----------------------------------|--------------|----------|------|------|------|------|----------------|-----------------|----------|--------------|----------|---------|--|----------|------------|-----------|----------|-----------|
| INVENTIO AG CH-6052 Hergiswil | Modification | Ae 0 | Ae 2 | Ae 3 | Ae 4 | Ae 5 | Ae 6 | Archive No. | 11220 | Created | 16-01-25 | xianyng | Commission Emergency Power Operation BIONC 7, NS21 | Location | Inst. | No. pages | Format | |
| | KA-No. | 593180 | | | | | | Replaces / Mod. | | Checked | 16-02-20 | suneddy | | AP1 | S 45326073 | 1 | A3 | |
| | Date | 16-10-08 | | | | | | Basis drawing | | Norms check. | 16-02-20 | liueric | | | | | | |
| | | | | | | | S45326073.0 P1 | | Released | 16-10-08 | kunzbr | Page | | | | | | Lang. |
| Flag: | 1 | 2 | 3 | 4 | 5 | 6 | 7 | 8 | | | | | | | | | 1 | EN |



① BIOGIO DIP-switch

Only for NOT floor related input/output

| | BIOGIO settings | | L to configure | XCF connection |
|--------|-----------------|------|----------------|----------------|
| | CFG1 | CFG2 | | |
| First | OFF | ON | 91 | NO |
| Second | ON | OFF | 92 | |
| Third | ON | ON | 93 | |

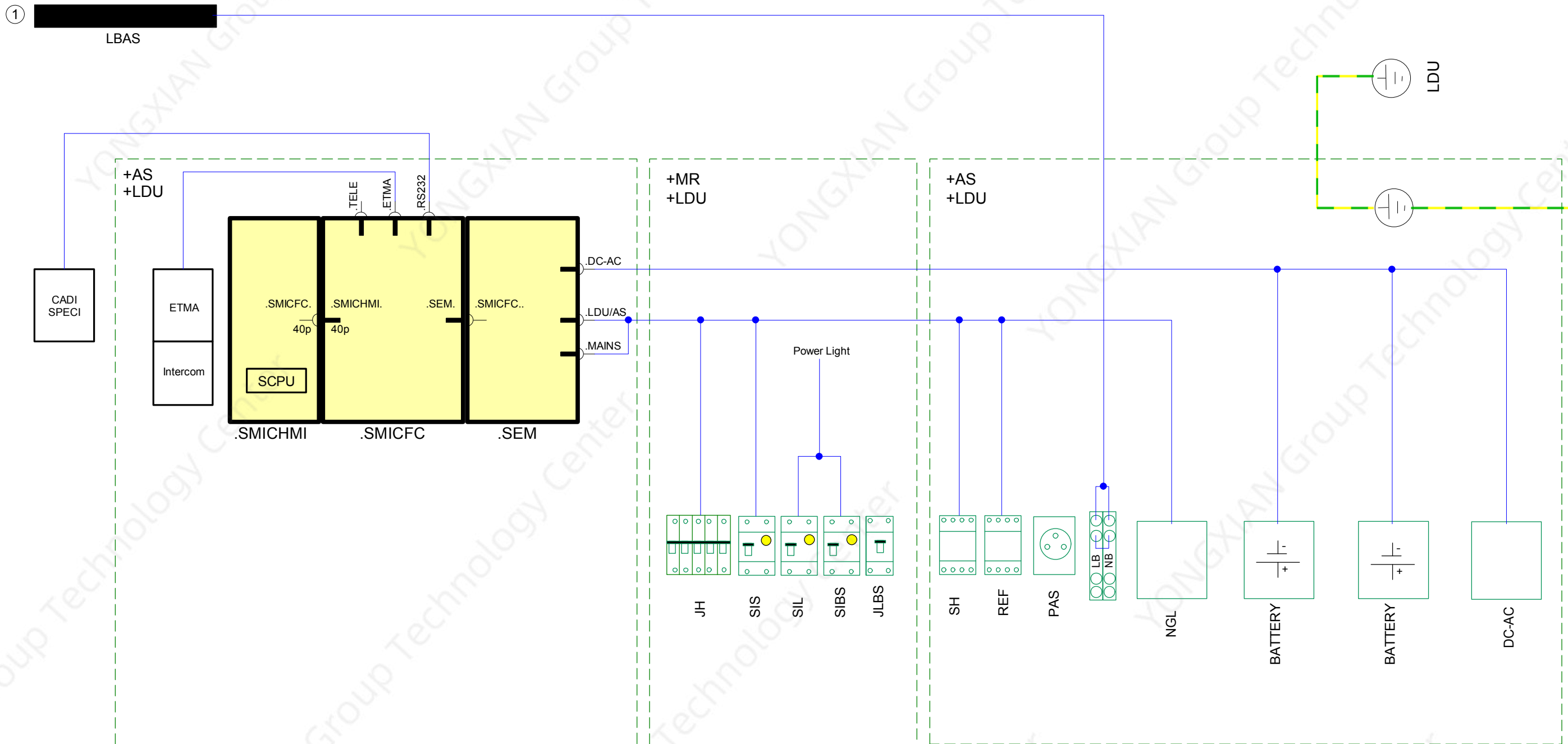
③ BIOGIO Outputs Commissioning

| Output Relay | OUTPUT1 | | | | OUTPUT2 | | | |
|--------------|--|------|------|------|---------|------|------|------|
| | OUT1 | OUT2 | OUT3 | OUT4 | OUT5 | OUT6 | OUT7 | OUT8 |
| CF | 40 | | | | | | | |
| L | Depends on DIP-Switch setting, see table 1 | | | | | | | |
| UL | Depends on Signal assigned, see table 2 | | | | | | | |

② Building Monitoring Signals

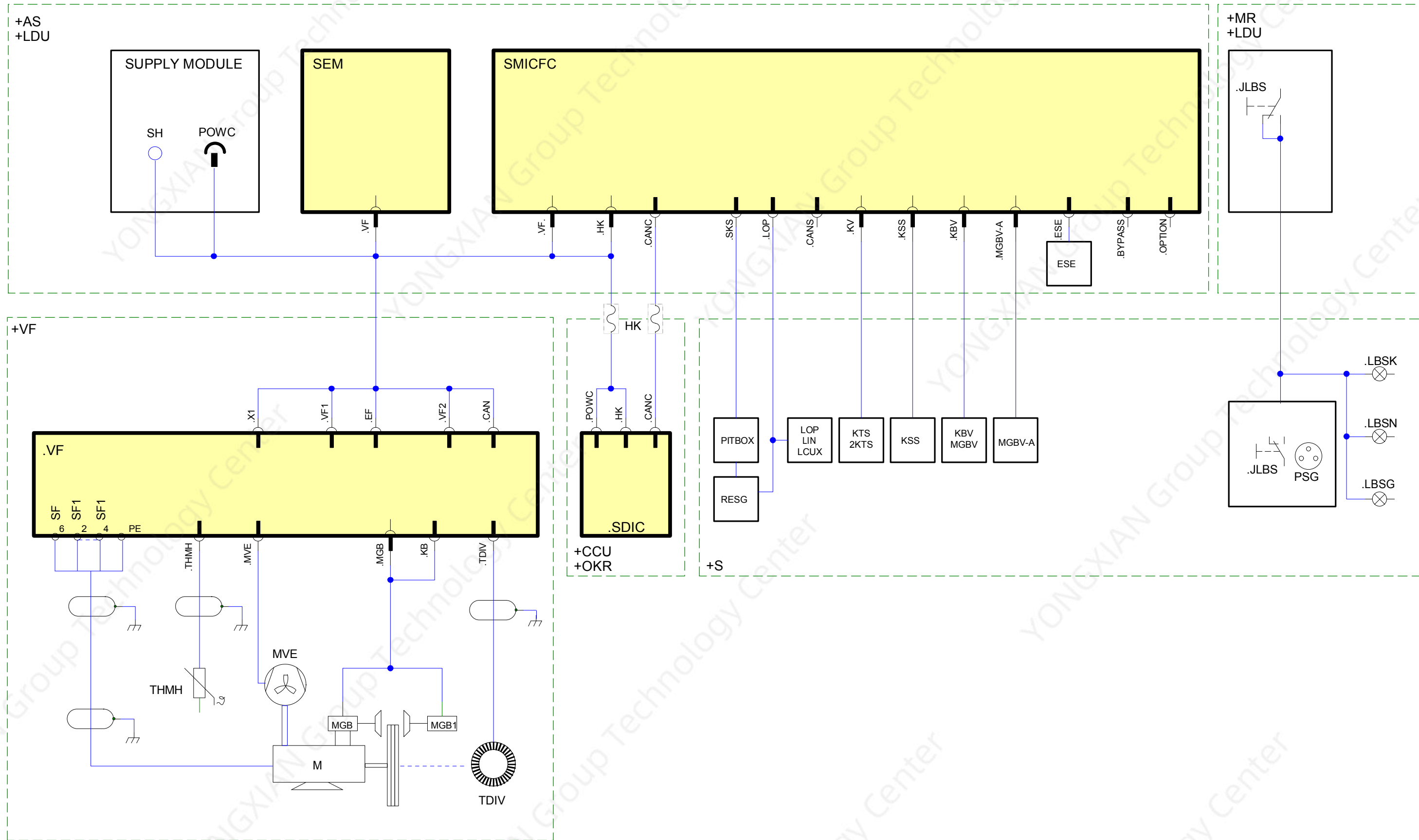
| Device & Signal name | .LW-U | .LW-D | .LAB | .LBF | .LRV | .REFE1 | .REFEH1 |
|----------------------|-------|-------|------|------|------|--------|---------|
| Signal name | .LW-U | .LW-D | .LAB | .LBF | .LRV | .REFE1 | .REFEH1 |
| Code Decimal | 163 | 164 | 131 | 205 | 38 | 173 | 174 |

- ① Set DIP-Switch for NOT floor related input/output
- ② Building Monitoring Outputs Signals
- ③ Building Monitoring Outputs Commissioning



① Option

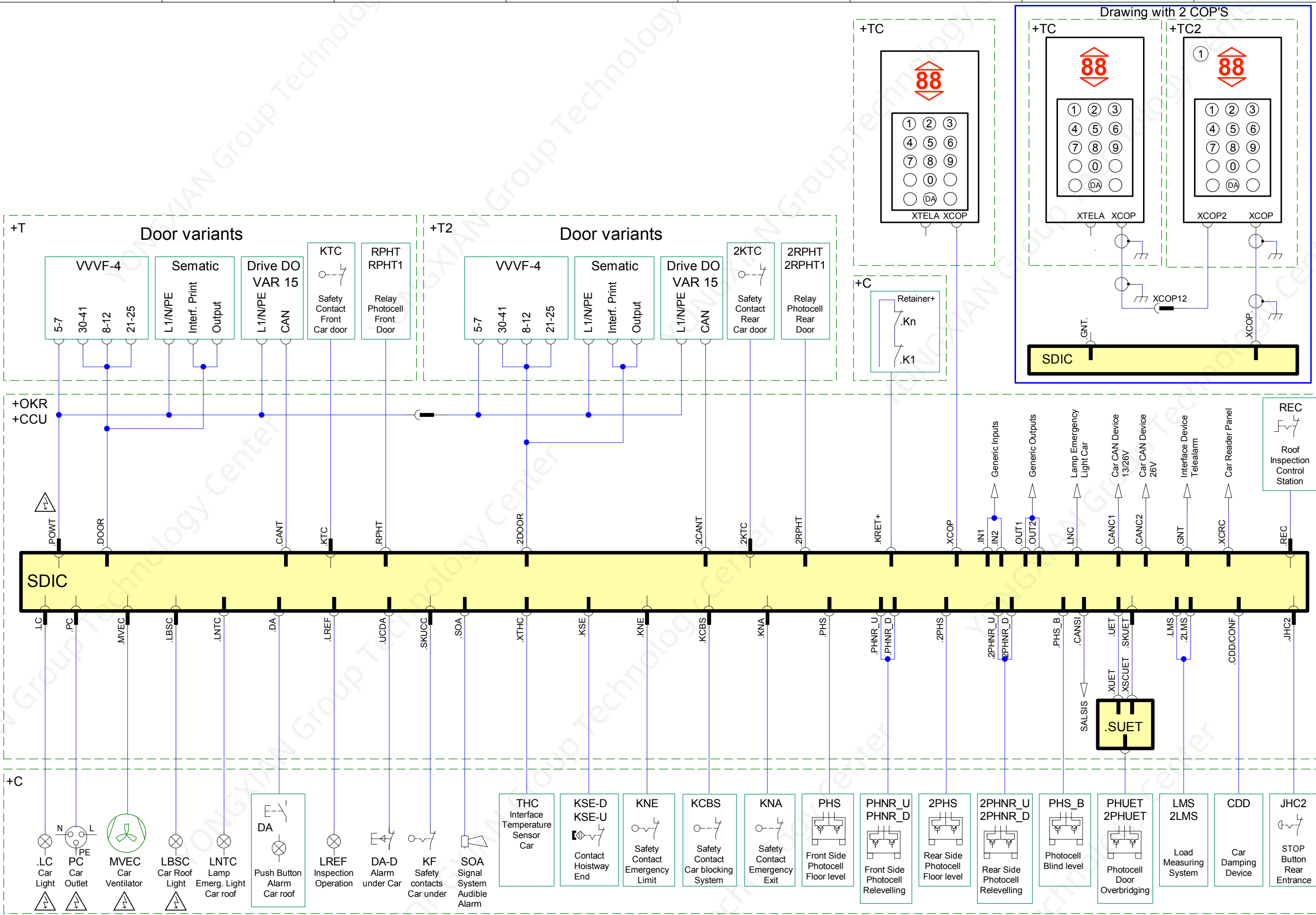
| | | | | | | | | | | | | | | | | | | | | |
|----------------------------------|--------------|----------|----------|------|------|------|------|-----------------|----------------|--------------|----------|----------|---|-------------|----------|------------|------|--------|-------|----|
| INVENTIO AG CH-6052 Hergiswil | Modification | Ae 0 | Ae 1 | Ae 2 | Ae 3 | Ae 4 | Ae 5 | Archive No. | 11220 | Created | 16-09-09 | xianying | Commission Installation Instruction BIONIC 7 with Biodyn, Landing Door Unit | Location | Inst. | No. pages | 5 | Format | A3 | |
| | KA-No. | 593180 | 594132 | | | | | Replaces / Mod. | | Checked | 16-09-12 | wangtge | | Lead Office | AP1 | S 45326079 | Page | 1 | Lang. | EN |
| | Date | 16-10-08 | 17-02-25 | | | | | Basis drawing | S45326079.1 P1 | Norms check. | 16-09-12 | suneddy | | Released | 17-02-25 | kunzbr | | | | |



45326079_S_000_2_071017132
Plot-Date: 5/8/2017

ECAD

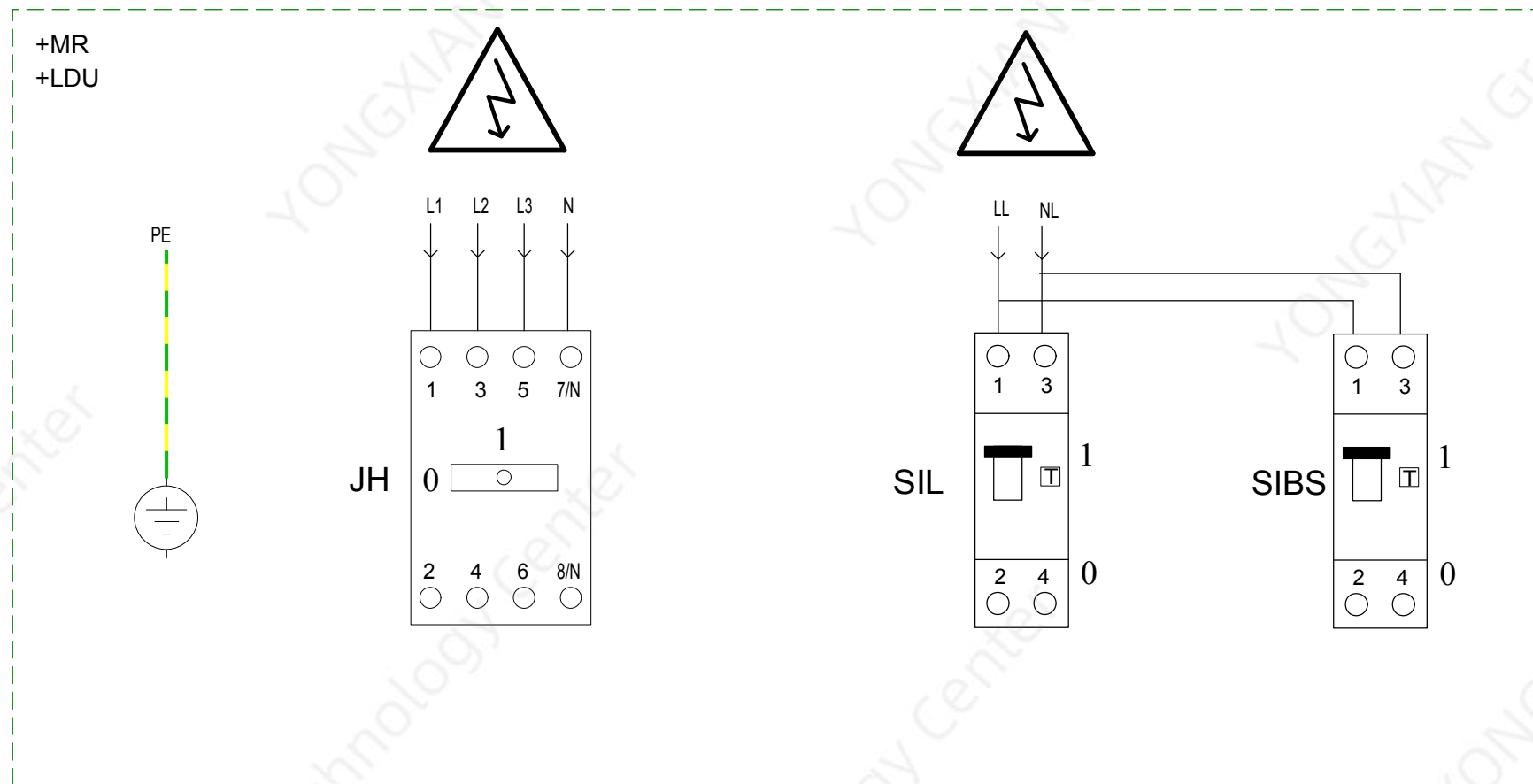
| | | | | | | | | | | | | | | | | | |
|----------------------------------|--------------|----------|----------|------|------|------|------|-----------------|----------------|--------------|----------|----------|---|----------|------------|-----------|--------|
| INVENTIO AG CH-6052 Hergiswil | Modification | Ae 0 | Ae 1 | Ae 2 | Ae 3 | Ae 4 | Ae 5 | Archive No. | 11220 | Created | 16-09-09 | xianying | Commission Installation Instruction BIONIC 7 with Biodyn, LDU - Drive | Location | Inst. | No. pages | Format |
| | KA-No. | 593180 | 594132 | | | | | Replaces / Mod. | | Checked | 16-09-12 | wangtige | | AP1 | S 45326079 | 5 | A3 |
| | Date | 16-10-08 | 17-02-25 | | | | | Basis drawing | S45326079.1 P2 | Norms check. | 16-09-12 | suneddy | | Page | Lang. | 2 | EN |
| Released | 17-02-25 | | | | | | | | | | kunzbr | | | | | | |



45326079_S_000_2_@Tjgksh132
Plot-Date: 5/8/2017

ECAD

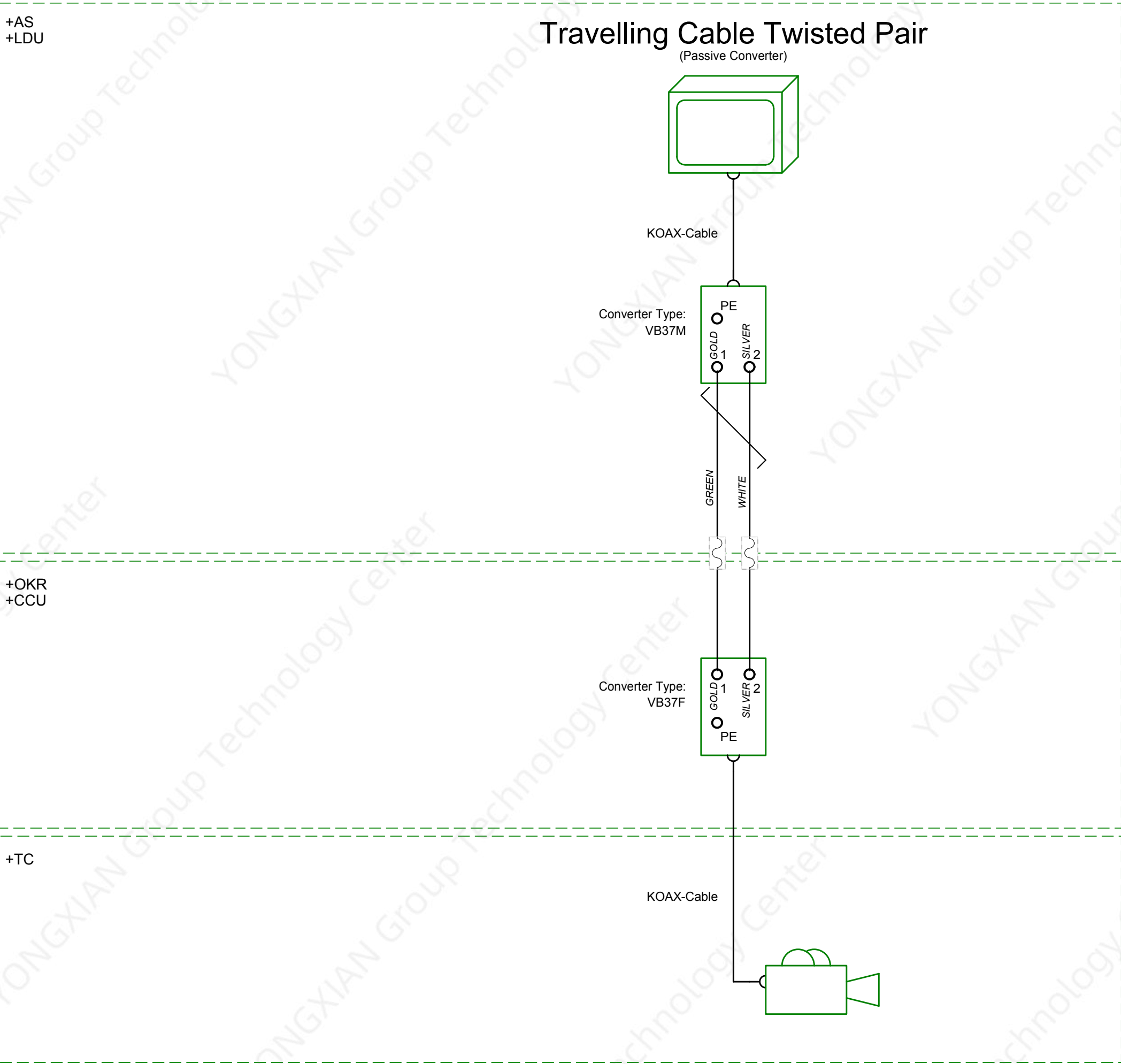
| | | | | | | | | | | | | | | | | | | | |
|----------------------------------|--------------|----------|----------|------|------|------|------|-----------------|----------------|--------------|----------|---------------------------|--------------------------|-------------|------------|-----------|---|--------|----|
| INVENTIO AG CH-6052 Hergiswil | Modification | Ae 0 | Ae 1 | Ae 2 | Ae 3 | Ae 4 | Ae 5 | Archive No. | 11220 | Created | 16-09-09 | xianying | Commission | Location | Inst. | No. pages | 5 | Format | A3 |
| | KA-No. | 593180 | 594132 | | | | | Replaces / Mod. | | Checked | 16-09-12 | wangtige | Installation Instruction | Lead Office | | Page | 3 | Lang. | EN |
| | Date | 16-10-08 | 17-02-25 | | | | | Basis drawing | S45326079.1 P3 | Norms check. | 16-09-12 | suneddy | | AP1 | S 45326079 | | | | |
| Released | 17-02-25 | | | | | | | | | | kunzbr | BIONIC 7 with Biodyn, Car | | | | | | | |



45326079_S_000_2_@Tjgksh132
Plot-Date: 5/8/2017

ECAD

| | | | | | | | | | | | | | | | | | |
|----------------------------------|--------------|----------|----------|------|------|------|------|-----------------|----------------|--------------|----------|----------|---|-------------|------------|-----------|--------|
| INVENTIO AG CH-6052 Hergiswil | Modification | Ae 0 | Ae 1 | Ae 2 | Ae 3 | Ae 4 | Ae 5 | Archive No. | 11220 | Created | 16-09-09 | xianying | Commission Installation Instruction BIONIC 7 with Biodyn, Main supply | Location | Inst. | No. pages | Format |
| | KA-No. | 593180 | 594132 | | | | | Replaces / Mod. | | Checked | 16-09-12 | wangtge | | Lead Office | | Page | Lang. |
| | Date | 16-10-08 | 17-02-25 | | | | | Basis drawing | S45326079.1 P4 | Norms check. | 16-09-12 | suneddy | | AP1 | S 45326079 | 4 | EN |
| Released | 17-02-25 | | | | | | | | | Released | 17-02-25 | kunzbr | | | | | |



+OKR
+CCU

+TC

+AS
+LDU

Travelling Cable Twisted Pair

(Passive Converter)

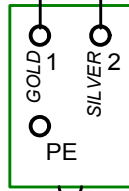
KOAX-Cable

Converter Type:
VB37M



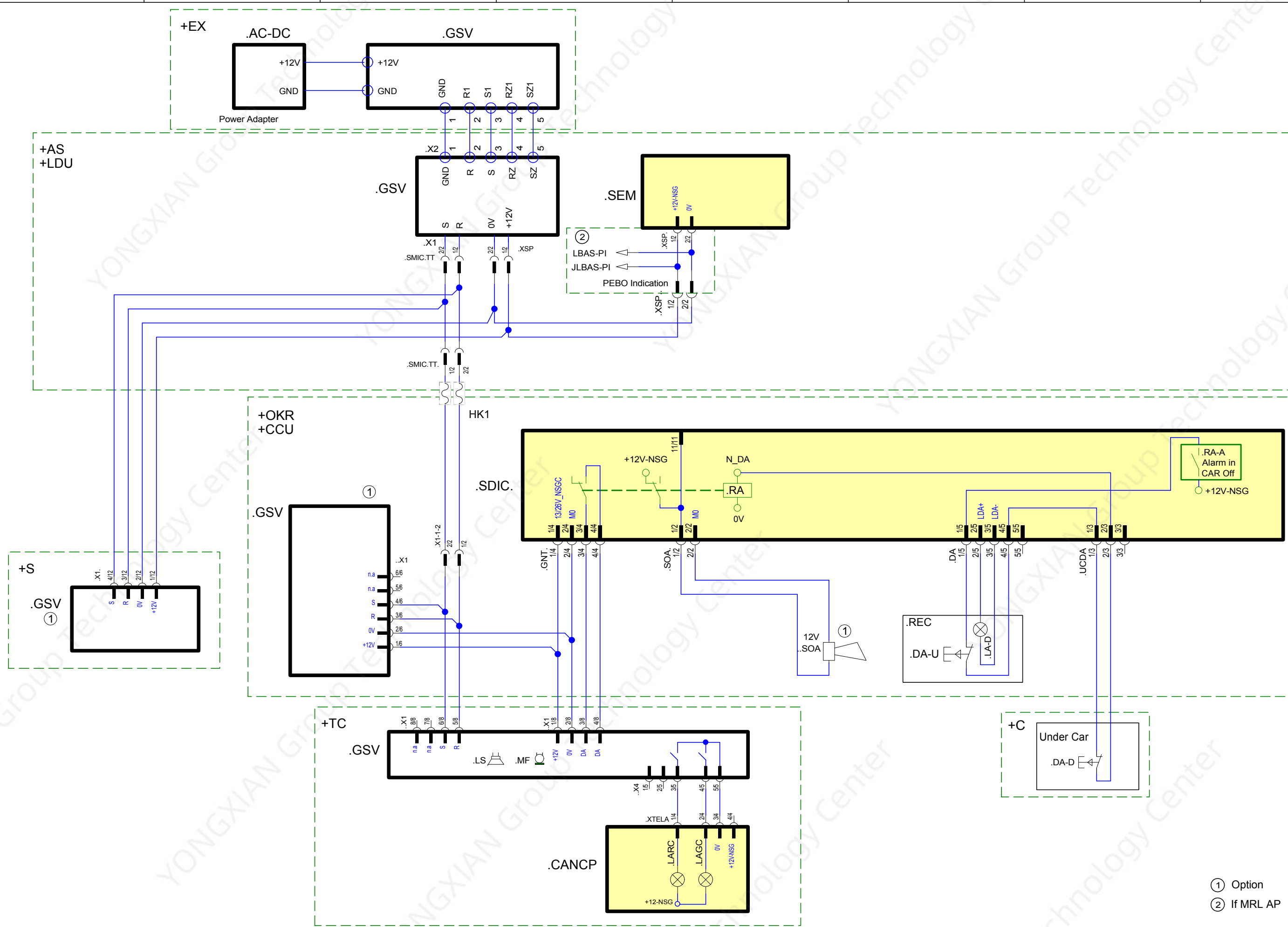
GREEN
WHITE

Converter Type:
VB37F



KOAX-Cable

| | | | | | | | | | | | | | | | | | |
|----------------------------------|--------------|----------|------|------|------|------|------|-----------------|----------------|--------------|----------|---------|----------------|-------------|------------|-----------|--------|
| INVENTIO AG CH-6052 Hergiswil | Modification | Ae 0 | Ae 1 | Ae 2 | Ae 3 | Ae 4 | Ae 5 | Archive No. | 11220 | Created | 16-01-26 | xianyng | Commission | Location | Inst. | No. pages | Format |
| | KA-No. | 593180 | | | | | | Replaces / Mod. | | Checked | 16-02-20 | wangtge | CCTV Converter | Lead Office | S 45326080 | 1 | A3 |
| | Date | 16-10-08 | | | | | | Basis drawing | S45326080.0 P1 | Norms check. | 16-02-20 | suneddy | | | | Page | Lang. |
| Flag: | 1 | 2 | 3 | 4 | 5 | 6 | 7 | 8 | | Released | 16-10-08 | kunzbr | BIONIC 7 | AP1 | | 1 | EN |

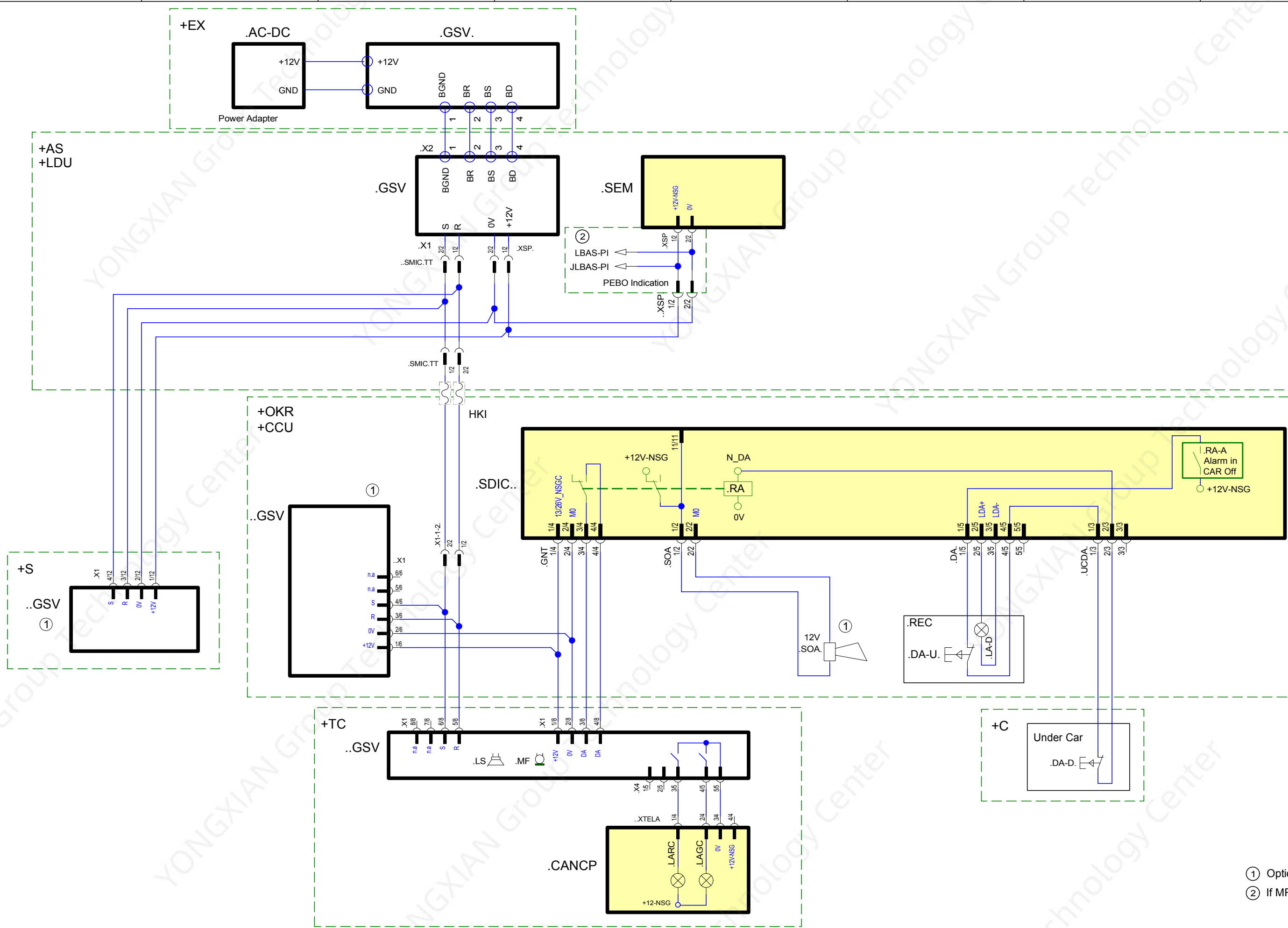


① Option
② If MRL AP

ProjAe: S45326088.0
Plot-Date: 7/18/2016

ECAD

| | | | | | | | | | | | | | | | | | | | | |
|----------------------------------|--------------|----------|------|------|------|------|------|-----------------|----------------|--------------|----------|----------|--|-------------|-------|-----------|------|--------|-------|----|
| INVENTIO AG CH-6052 Hergiswil | Modification | Ae 0 | Ae 1 | Ae 2 | Ae 3 | Ae 4 | Ae 5 | Archive No. | 11220 | Created | 16-02-20 | xianying | Commission Lift Alarm, Intercom BIONIC 7 Parallel Interface(CANCP) | Location | Inst. | No. pages | 2 | Format | A3 | |
| | KA-No. | 593180 | | | | | | Replaces / Mod. | | Checked | 16-02-20 | wangtige | | Lead Office | | AP1 | Page | 1 | Lang. | EN |
| | Date | 16-10-08 | | | | | | Basis drawing | S45326088.0 P1 | Norms check. | 16-02-20 | suneddy | | S 45326088 | | | | | | |
| Flag: | 1 | 2 | 3 | 4 | 5 | 6 | 7 | 8 | | Released | 16-10-08 | kunzbr | | | | | | | | |



① Option
② If MRL AP

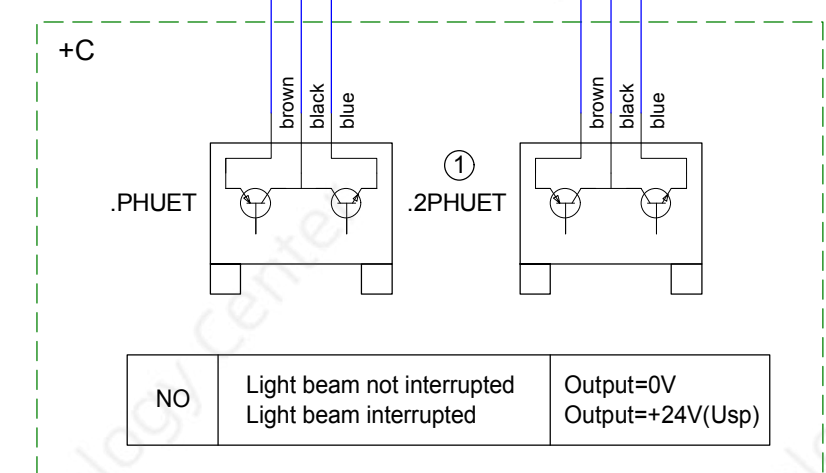
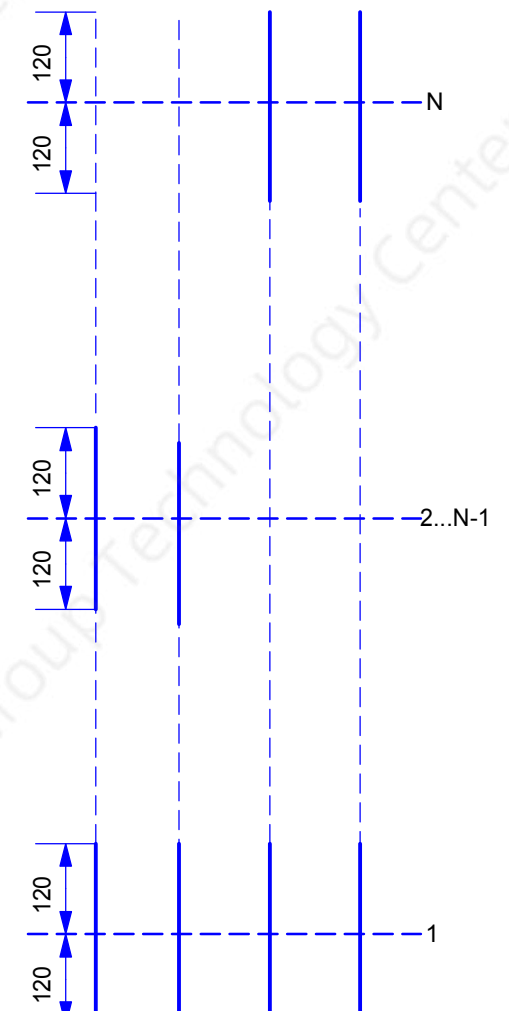
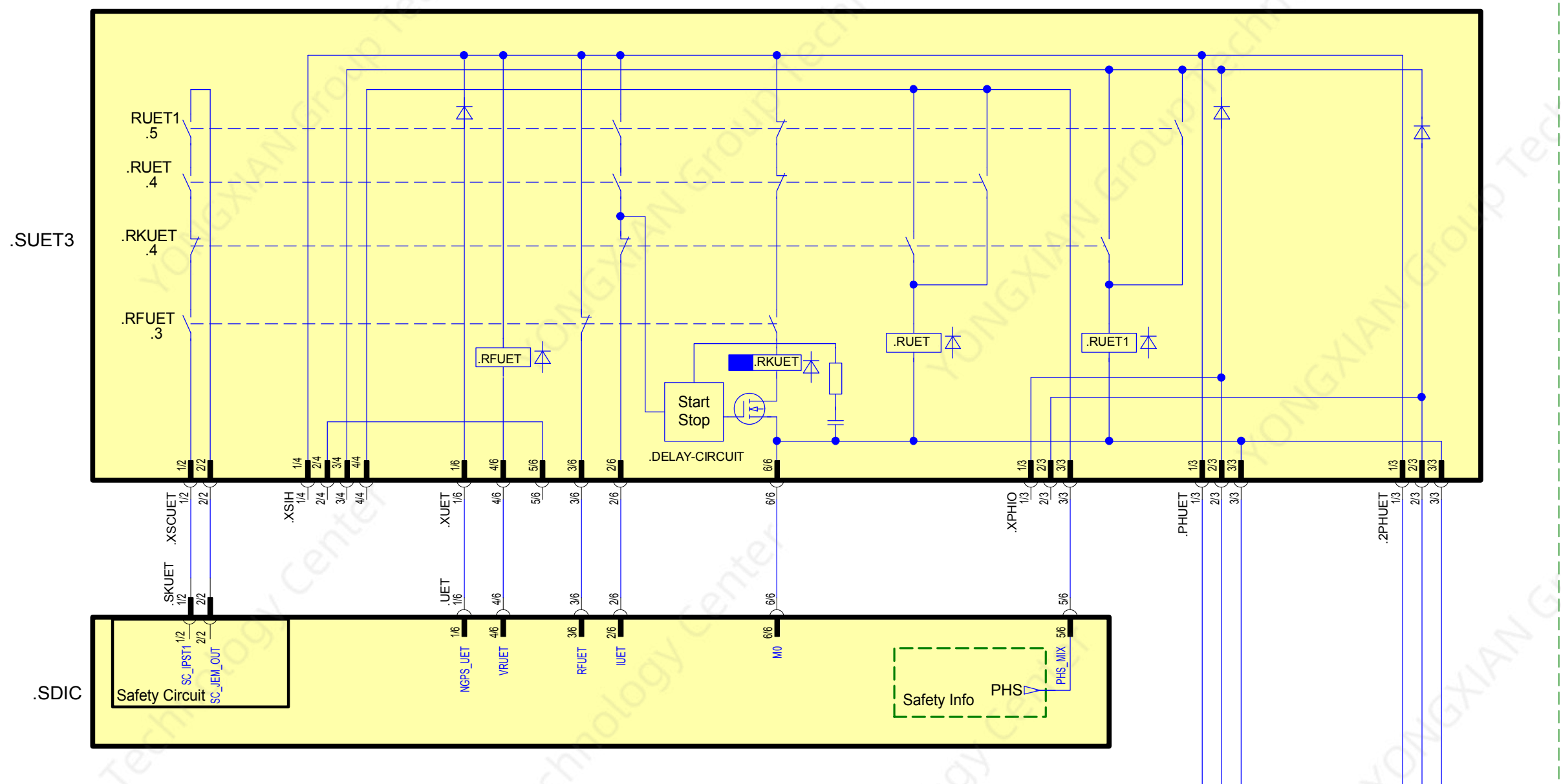
| | | | | | | | | | | | | | | | | | |
|----------------------------------|--------------|----------|------|------|------|------|------|-----------------|----------------|--------------|----------|----------|----------------------------------|-------------|-------|-----------|--------|
| INVENTIO AG CH-6052 Hergiswil | Modification | Ae 0 | Ae 1 | Ae 2 | Ae 3 | Ae 4 | Ae 5 | Archive No. | 11220 | Created | 16-02-20 | xianying | Commission | Location | Inst. | No. pages | Format |
| | KA-No. | 593180 | | | | | | Replaces / Mod. | | Checked | 16-02-20 | wangtige | Lift Alarm, Intercom | | | 2 | A3 |
| | Date | 16-10-08 | | | | | | Basis drawing | S45326088.0 P2 | Norms check. | 16-02-20 | suneddy | BIONIC 7 Serial Interface(CANCP) | Lead Office | | Page | Lang. |
| Flag: | 1 | 2 | 3 | 4 | 5 | 6 | 7 | 8 | | | | | AP1 | S 45326088 | 2 | EN | |

| | | |
|--------|-------------|-------------|
| JLBS | +MR/+S/+LDU | 井道照明开关 |
| JLC | +C | 轿厢照明开关 |
| JLI | +C | 司机驾驶开关 |
| JNFF | +S | 消防运行开关 |
| JNFF-S | +C | 消防员服务开始运行开关 |
| JNO | +S | 应急电源运行开关 |
| JRA-A | +CCU | 报警器断开开关 |
| JREC | +CCU | 轿顶检修开关 |
| JREC-E | +CCU | 轿顶公共开关 |
| JRH | +EX | 回召运行开关 |
| JRVC | +C | 轿厢保留运行开关 |
| JRVPC | +C | 轿厢停靠保留开关 |
| JSPCG | +S | 群控轿呼终止开关 |
| JVEC | +C | 轿厢风机开关 |
| KB% | +A | 抱闸触点 |
| KBF | +S | 火警检测触点 |
| KBF-H1 | +S | 火警返回1楼确认触点 |
| KBV% | +S | 限速器触点 |
| KCBS% | +C | 轿厢锁定触点 |
| KEB | +MR/+S | 地震监视器触点 |
| KET-O | +T | 开门到位触点 |
| KET-S | +T | 关门到位触点 |
| KF% | +C | 安全钳触点 |
| KFG% | +S | 对重安全钳触点 |
| KLSG | +S | 底坑阶梯触点 |
| KNA | +C | 紧急出口触点 |
| KNE | +C | 紧急极限触点 |
| KNET | +S | 楼层厅门打开触点 |
| KNET-N | +S | 顶层厅门打开触点 |
| KP% | +S | 缓冲器触点 |
| KPG% | +S | 对重缓冲器触点 |
| KSE | +C | 井道终端触点 |
| KSE-D | +C | 井道下限位开关 |
| KSE-U | +C | 井道上限位开关 |
| KSKB% | +T | 关门限制力触点 |
| KSPE-K | +S | X楼层封锁触点 |
| KSR | +C | 安全空间触点 |
| KSR-A | +C | 安全空间断开触点 |
| KSS | +MR/+S | 松绳触点 |
| KSSBV | +S | 限速器松绳开关触点 |
| KTC% | +C | 轿门触点 |
| KTHAS | +AS/+LDU | 控制柜热敏触点 |
| KTHBR | +VF | 制动电阻热敏触点 |
| KTHS-D | +S | 井道下端热敏触点 |
| KTHS-U | +S | 井道上端热敏触点 |
| KTS-* | +S | X楼层厅门安全触点 |
| KTS-N | +S | 顶楼厅门安全触点 |
| LAB | +S | 停止服务指示灯 |
| LAGC | +TC1 | 轿内报警灯 |
| LARC | +TC1 | 轿内报警确认灯 |
| LAS-* | +S | X楼层报警灯 |

| | | |
|--------|----------|-----------------|
| LBAS | +MR/+LDU | 控制柜照明灯 |
| LBF | +S | 火警照明 |
| LBFC | +TC1 | 轿内火警照明 |
| LBS | +S | 井道照明 |
| LBSC | +C | 轿内照明 |
| LBSC-D | +C | 轿底照明 |
| LBSC-U | +C | 轿顶照明 |
| LBSG | +S | 底坑照明 |
| LBSK | +S | 井道顶照明 |
| LC% | +C | 轿厢照明 |
| LCU | +S | 厅外召唤 |
| LCUX | +S | 厅外召唤扩展 |
| LEFC | +TC1 | 轿厢撤离运行指示灯 |
| LEFEH1 | +S | 撤离运行停止指示灯1 |
| LIN | +S | 厅外楼层指示 |
| LL-V | +S | 满载指示灯 |
| LL-X | +TC1 | 超载指示灯 |
| LLI-D | +C | 司机驾驶上行指示灯 |
| LLI-U | +C | 司机驾驶上行指示灯 |
| LMG | +C | 称重传感器 |
| LNC | +TC1 | 轿厢紧急照明灯 |
| LNOC | +TC1 | 轿厢紧急电源指示灯 |
| LOP | +S | 厅外召唤盒 |
| LR-D | +AS/+LDU | 下行方向指示灯 |
| LR-U | +AS/+LDU | 上行方向指示灯 |
| LREC | +AS/+LDU | 轿厢检修运行指示灯 |
| LREC-A | +AS/+LDU | 轿厢检修运行停止指示灯 |
| LRV | +S | 保留运行指示灯 |
| LS | +CCU | 扬声器 |
| LUB | +S | 维护和错误指示灯 |
| LUEISK | +AS/+LDU | 安全回路电流监控指示灯 |
| LUET | +AS/+LDU | 门区跨接指示灯（电梯在门区内） |
| MEERB | +LDU | 手动疏散编码器接收板 |
| MEMIB | +LDU | 手动疏散指示板 |
| MF | +CCU | 话筒 |
| MGB% | +A | 抱闸 |
| MGBV | +S | 限速器电磁铁 |
| MGBV-A | +S | 限速器关闭电磁铁 |
| MH | +A | 曳引电机 |
| MT | +T | 门电机 |
| MVE | +A | 风扇电机 |
| MVEC | +C | 轿厢风扇电机 |
| NG | +VF | 供电单元 |
| NGL | +AS/+LDU | 电梯供电单元 |
| NGTM | +AS/+LDU | 供电远程控制 |
| NSG | +AS/+LDU | 应急电源供电单元 |
| PAS | +MR/+LDU | 控制柜插座 |
| PC | +CCU | 轿厢插座 |
| PEBO | +AS/+LDU | 抱闸脉冲电子打开装置 |
| PHNR-D | +C | 再平层下行光电管 |

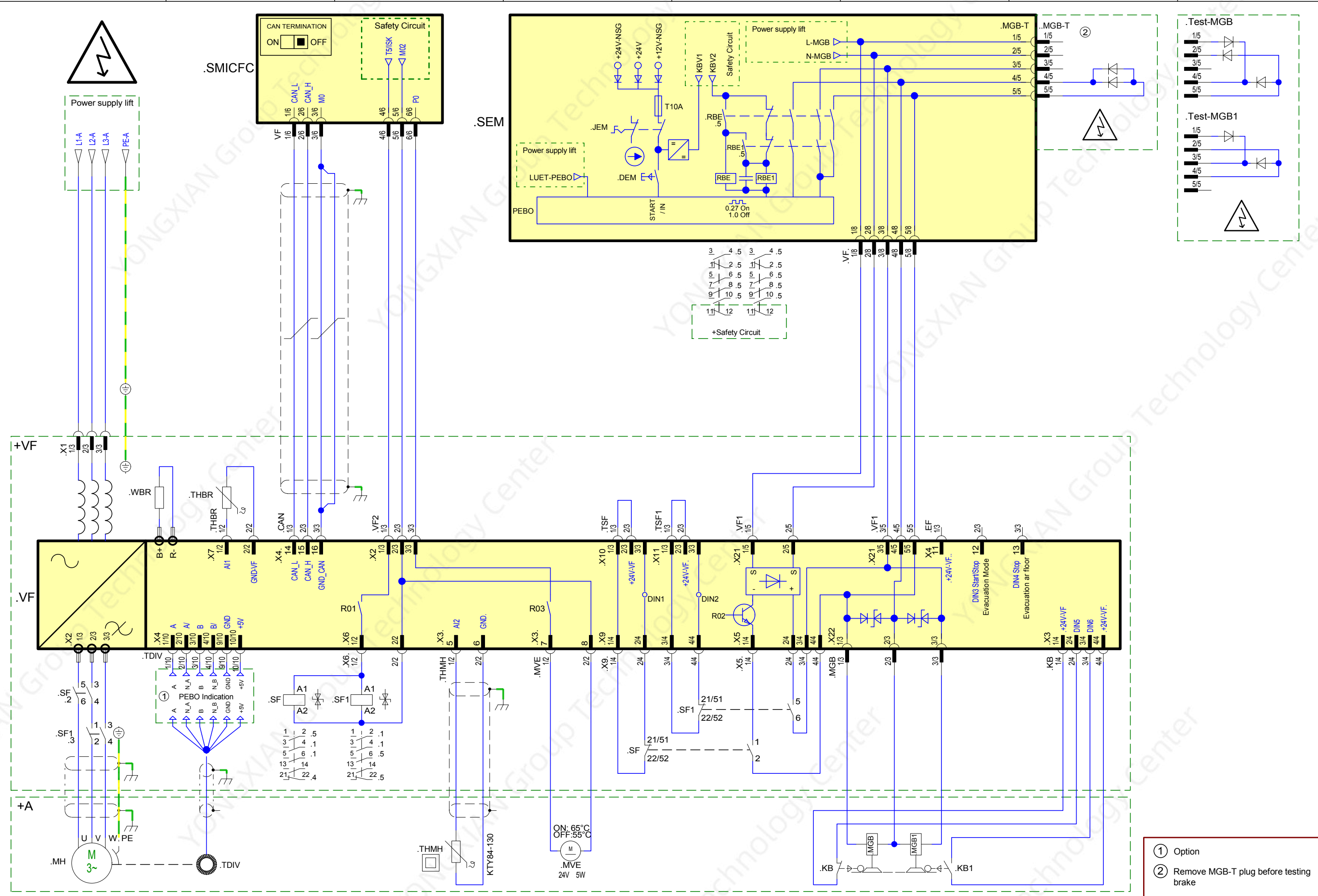
| | | | | | | | | | | | | | | | | | | |
|----------------------------------|--------------|----------|------|------|------|------|------|-----------------|-------|--------------|----------|----------|------------|--|-------------|-----------|--------|----|
| INVENTIO AG CH-6052 Hergiswil | Modification | Ae 0 | Ae 1 | Ae 2 | Ae 3 | Ae 4 | Ae 5 | Archive No. | 11220 | Created | 16-02-17 | xianying | Commission | Location | Inst. | No. pages | Format | |
| | KA-No. | 593180 | | | | | | Replaces / Mod. | | Checked | 16-02-17 | suneddy | | Device ID Index BMK Legende Bionic 7 Device ID Index Chinese | Lead Office | | 3 | A3 |
| | Date | 16-10-08 | | | | | | Basis drawing | | Norms check. | 16-02-17 | wangtige | Page | | | | | |
| | | | | | | | | S 45335211.0.P2 | | Released | 16-10-08 | kunzbr | Lang. | | | | | |
| Flag: | 1 | 2 | 3 | 4 | 5 | 6 | 7 | 8 | | | | | | AP1 | S 45335211 | 2 | EN | |

+OKR
+CCU



① Option 2PHUET

| | | | | | | | | | | | | | | | | | | | |
|----------------------------------|--------------|----------|------|------|------|------|------|-----------------|----------------|-------------|----------|----------|----------------------------|-------------|------------|-----------|---|--------|----|
| INVENTIO AG CH-6052 Hergiswil | Modification | Ae 0 | Ae 1 | Ae 2 | Ae 3 | Ae 4 | Ae 5 | Archive No. | 11220 | Created | 16-07-14 | xianying | Commission | Location | Inst. | No. pages | 1 | Format | A3 |
| | KA-No. | 154602 | | | | | | Replaces / Mod. | | Checked | 16-07-14 | perazzro | Door overbridging | Lead Office | | Page | 1 | Lang. | EN |
| | Date | 16-10-08 | | | | | | Basis drawing | S45335229.0 P1 | Norms check | 16-07-14 | wangtge | BIONIC 7 Door Overbridging | EB8 | S 45335229 | | | | |



- ① Option
- ② Remove MGB-T plug before testing brake

| | | | | | | | | | | | | | | | | | | | | |
|----------------------------------|--------------|----------|------|------|------|------|------|-----------------|----------------|----------|----------|----------|-----------------------------|-------------|------|-------|-----------|---|--------|----|
| INVENTIO AG CH-6052 Hergiswil | Modification | Ae 0 | Ae 1 | Ae 2 | Ae 3 | Ae 4 | Ae 5 | Archive No. | 11220 | Created | 16-07-14 | xianying | Commission | Location | +LDU | Inst. | No. pages | 1 | Format | A3 |
| | KA-No. | 154602 | | | | | | Replaces / Mod. | | Checked | 16-07-14 | perazzro | Drive Frequency Converter | Lead Office | EB8 | | Page | 1 | Lang. | EN |
| | Date | 16-10-08 | | | | | | Basis drawing | S45335240.0 P1 | Released | 16-10-08 | drenthjo | BIONIC 7 Biodyn without AES | | | | | | | |

Format_A3E

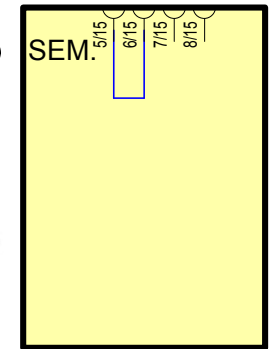
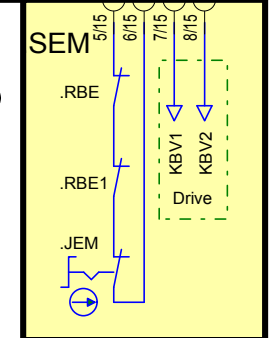
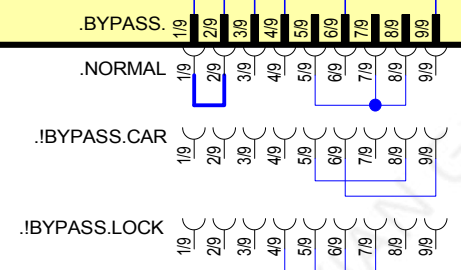
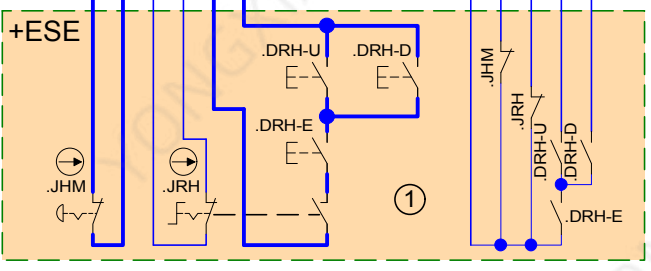
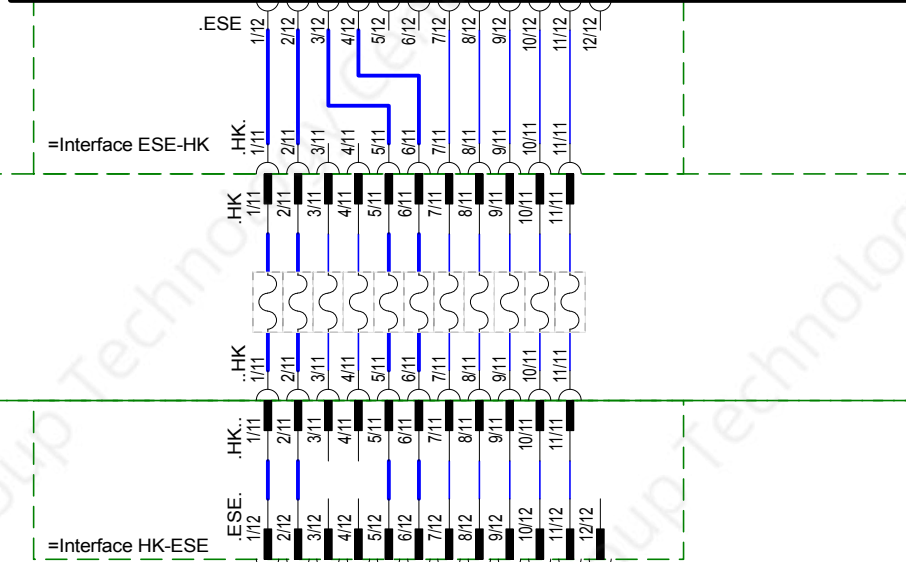
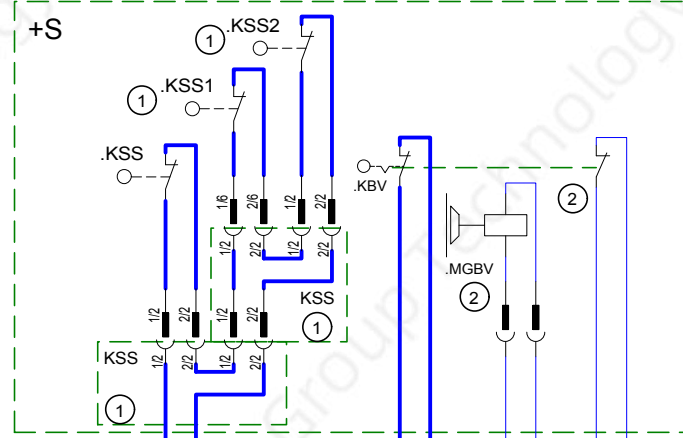
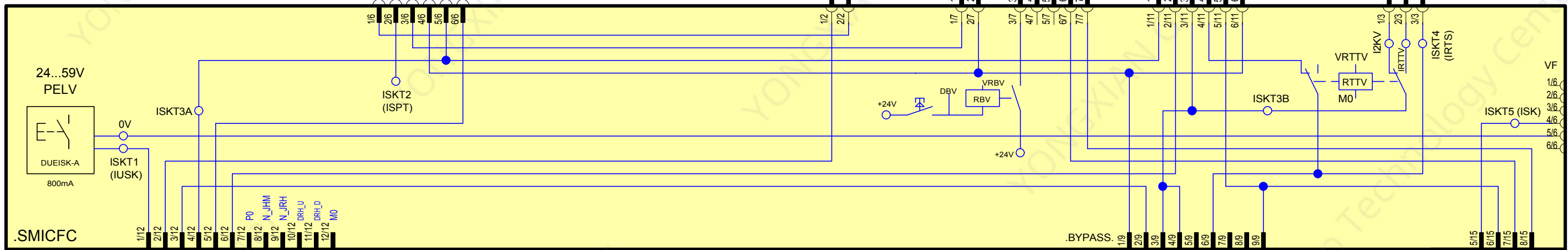
+AS
+LDU

+S

+S

+C

+ESE



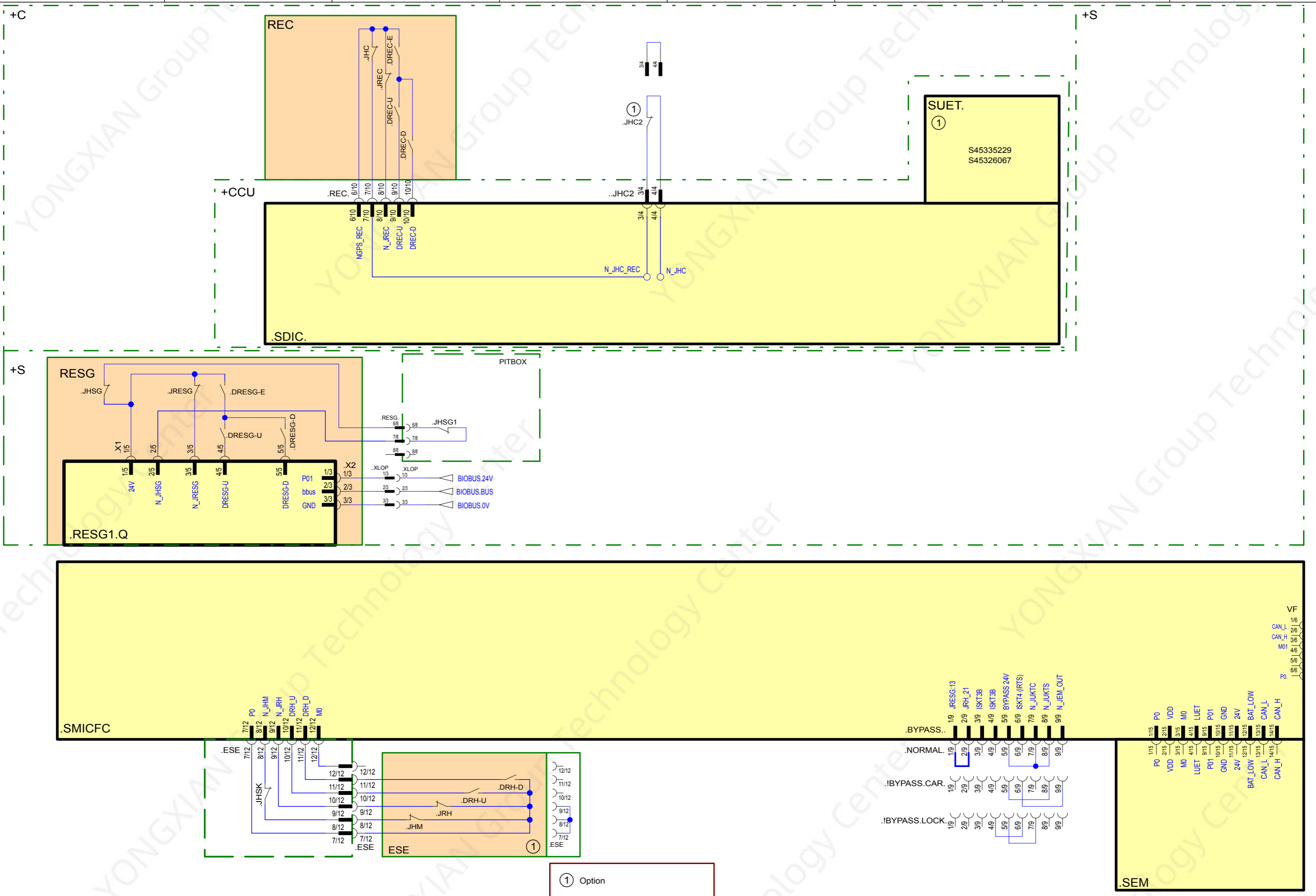
"Activate the installation mode by setting the menu operation 105 to (1). Exit the option by setting the option to zero and making a RESET"

- ① Option
- ② If MRL
- ③ If MMR

S45335245_InstallationPlanV1.0
Plot-Date: 14.07.2016

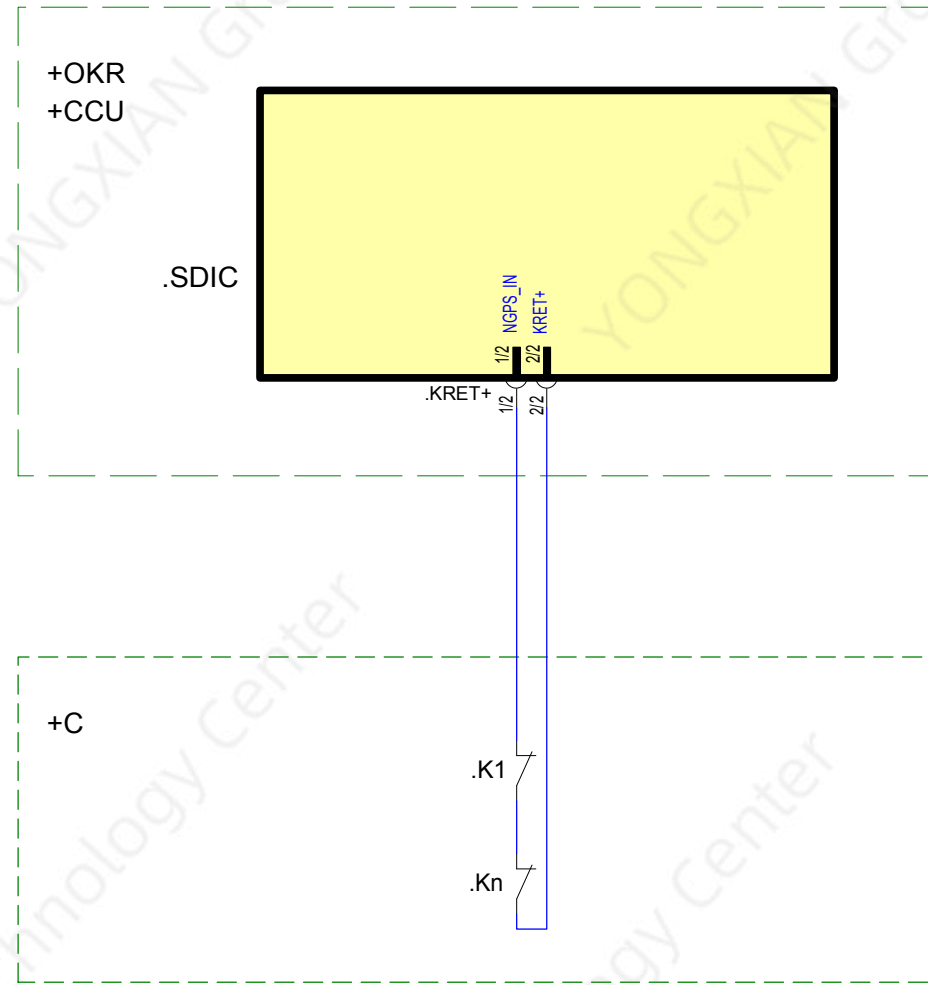
ECAD

| | | | | | | | | | | | | | | | | |
|----------------------------------|--------------|----------|------|------|------|------|------|---------------------------------|--------------|----------|----------|----------------------------|-------------|------------|-----------|--------|
| INVENTIO AG CH-6052 Hergiswil | Modification | Ae 0 | Ae 1 | Ae 2 | Ae 3 | Ae 4 | Ae 5 | Archive No. | Created | 16-07-14 | xianying | Commission | Location | Inst. | No. pages | Format |
| | KA-No. | 154602 | | | | | | Replaces / Mod. | Checked | 16-07-14 | perazzro | Installation Travel on Car | Lead Office | | 1 | A3 |
| | Date | 16-10-08 | | | | | | Basis drawing S45335245.0 P1 | Norms check. | 16-07-14 | wangtige | BIONIC 7 | EB7 | S 45335245 | Page | Lang. |
| Flag: | 1 | 2 | 3 | 4 | 5 | 6 | 7 | 8 | Released | 16-10-08 | drenthjo | | | 1 | EN | |



① Option

| | | | | | | | | | | | | | | | | | |
|----------------------------------|--------------|----------|----------|----------|----------|------|------|-----------------|--------------|----------|----------|---------------------------|----------|------------|-------|-----------|--------|
| INVENTIO AG CH-6052 Hergiswil | Modification | Ae 0 | Ae 1 | Ae 2 | Ae 3 | Ae 4 | Ae 5 | Archive No. | Created | 17-06-19 | perazzro | Commission | Location | +LDU | Inst. | No. pages | Format |
| | KA-No. | 154602 | 154618 | 154756 | 154778 | | | Replaces / Mod. | Checked | 17-06-21 | liueric | Safety Circuit Monitoring | | | | 2 | A3 |
| | Date | 16-10-08 | 17-02-25 | 17-05-27 | 17-09-30 | | | Basis drawing | Norms check. | 17-06-21 | wangtige | Lead Office | | | | Page | Lang. |
| | | | | | | | | S45338319.3 P2 | Released | 17-09-30 | drenthjo | EU1 | | S 45338319 | | 2 | EN |

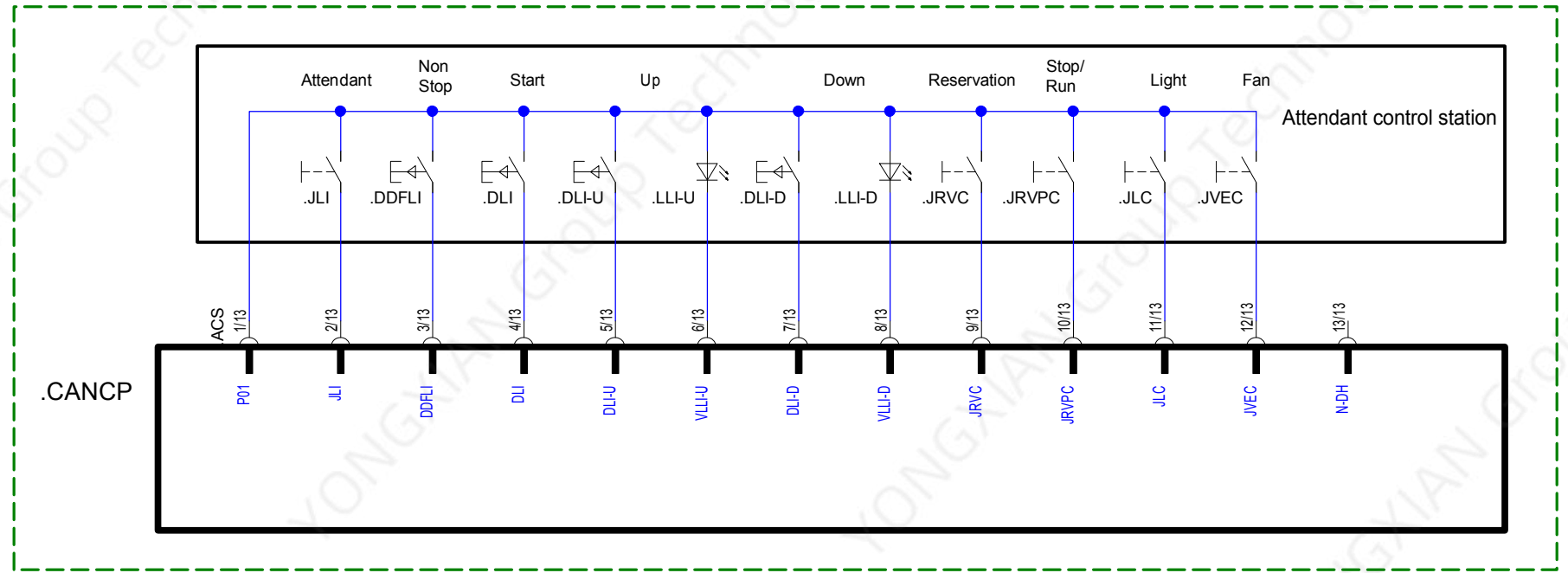


45620140_S_000_2_000000132
Plot-Date: 5/8/2017

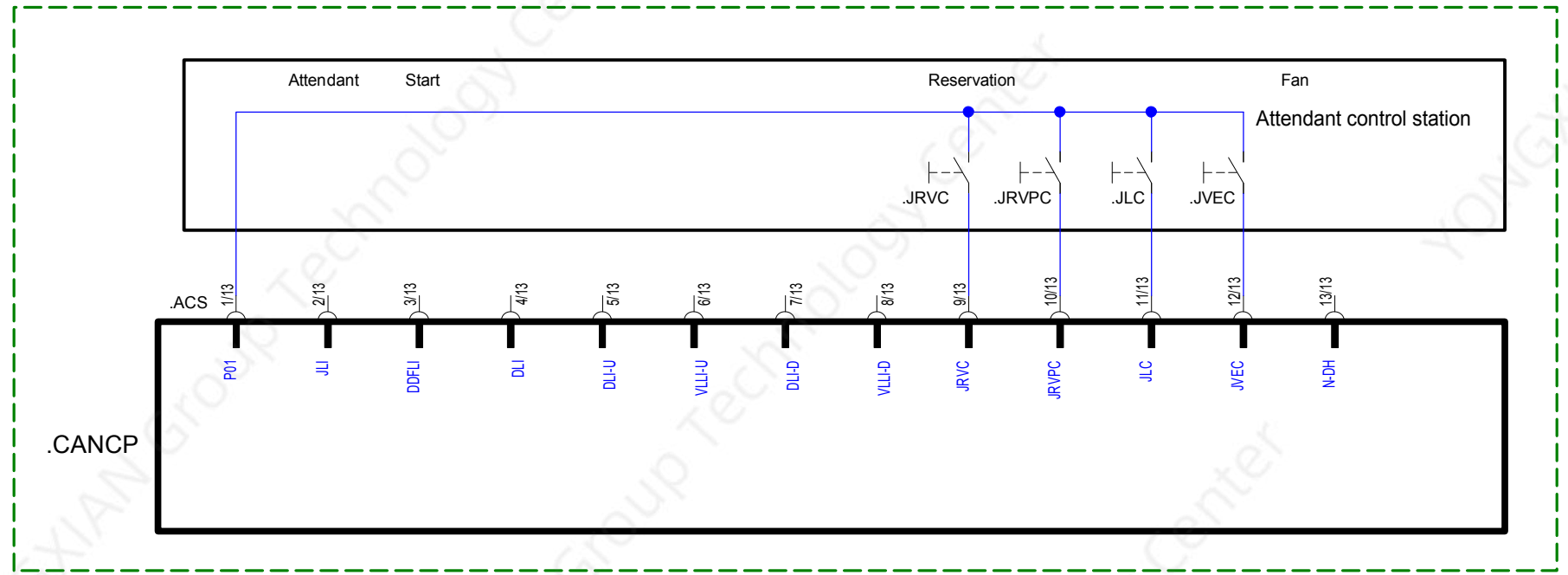
ECAD

| | | | | | | | | | | | | | | | | | |
|----------------------------------|--------------|----------|------|------|------|------|------|-----------------|-----------------|-------------|----------|----------|---|-------------|------------|-----------|--------|
| INVENTIO AG CH-6052 Hergiswil | Modification | Ae 0 | Ae 1 | Ae 2 | Ae 3 | Ae 4 | Ae 5 | Archive No. | 11220 | Created | 16-09-05 | xianying | Commission Retainer+ status monitoring BIONIC 7 | Location | Inst. | No. pages | Format |
| | KA-No. | 594132 | | | | | | Replaces / Mod. | | Checked | 16-09-06 | suneddy | | Lead Office | | Page | Lang. |
| | Date | 17-02-25 | | | | | | Basis drawing | S 45620140.0 P1 | Norms check | 16-09-06 | wangtge | | AP1 | S 45620140 | 1 | EN |
| Released | 17-02-25 | | | | | | | | | Released | 17-02-25 | kunzbr | | | | | |

CHINA



CHINA Simplified

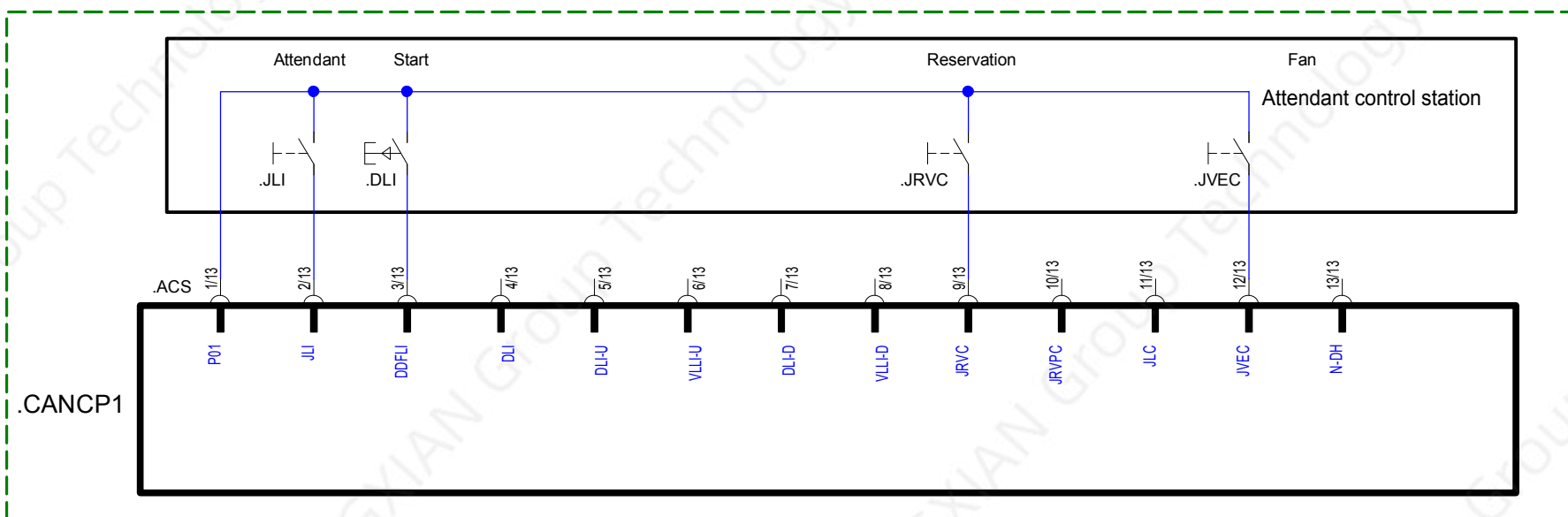


45620143_S_000_2_000000132
Plot-Date: 5/8/2017

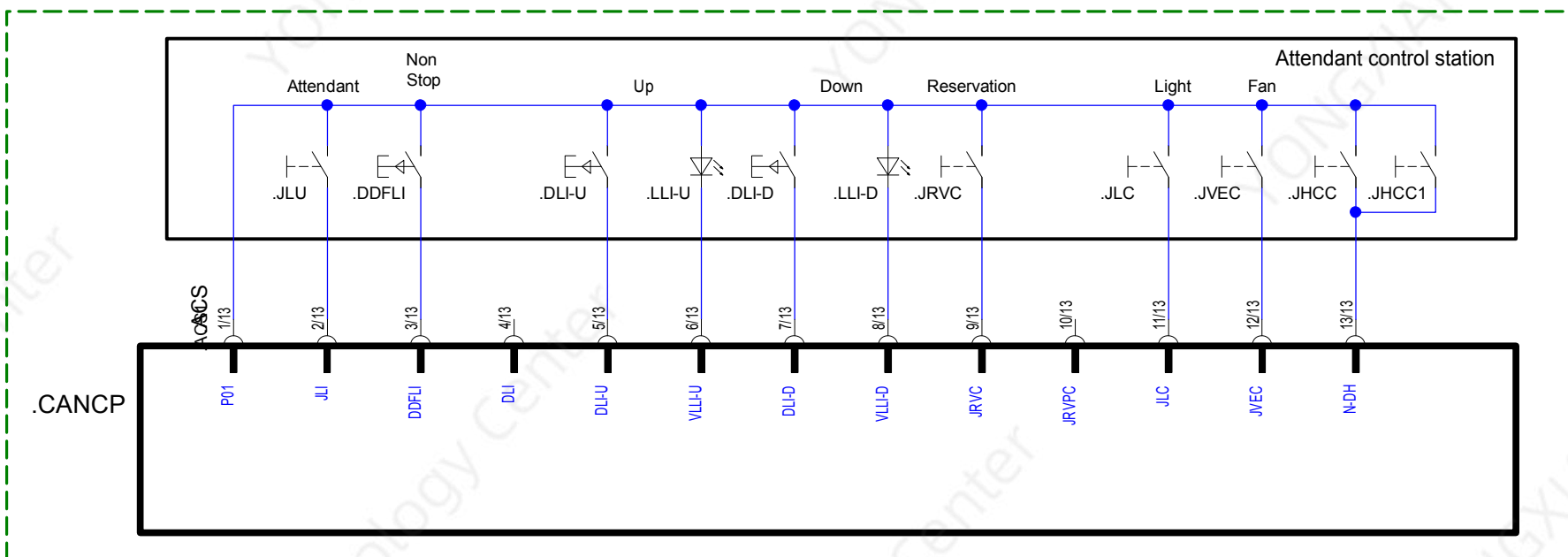
ECAD

| | | | | | | | | | | | | | | | | | | | | |
|----------------------------------|--------------|----------|------|------|------|------|------|----------------------------------|-------------|----------|----------|----------|---|-------------|-----|------------|-----------|---|--------|----|
| INVENTIO AG CH-6052 Hergiswil | Modification | Ae 0 | Ae 1 | Ae 2 | Ae 3 | Ae 4 | Ae 5 | Archive No. | 11220 | Created | 16-08-18 | xianying | Commission Attendant control station Bionic 7 | Location | +C | Inst. | No. pages | 2 | Format | A3 |
| | KA-No. | 594132 | | | | | | Replaces / Mod. | | Checked | 16-08-18 | wangtge | | Lead Office | AP1 | S 45620143 | Page | 1 | Lang. | EN |
| | Date | 17-02-25 | | | | | | Basis drawing S 45620143.0 P1 | Norms check | 16-08-22 | suneddy | Released | | | | | | | | |

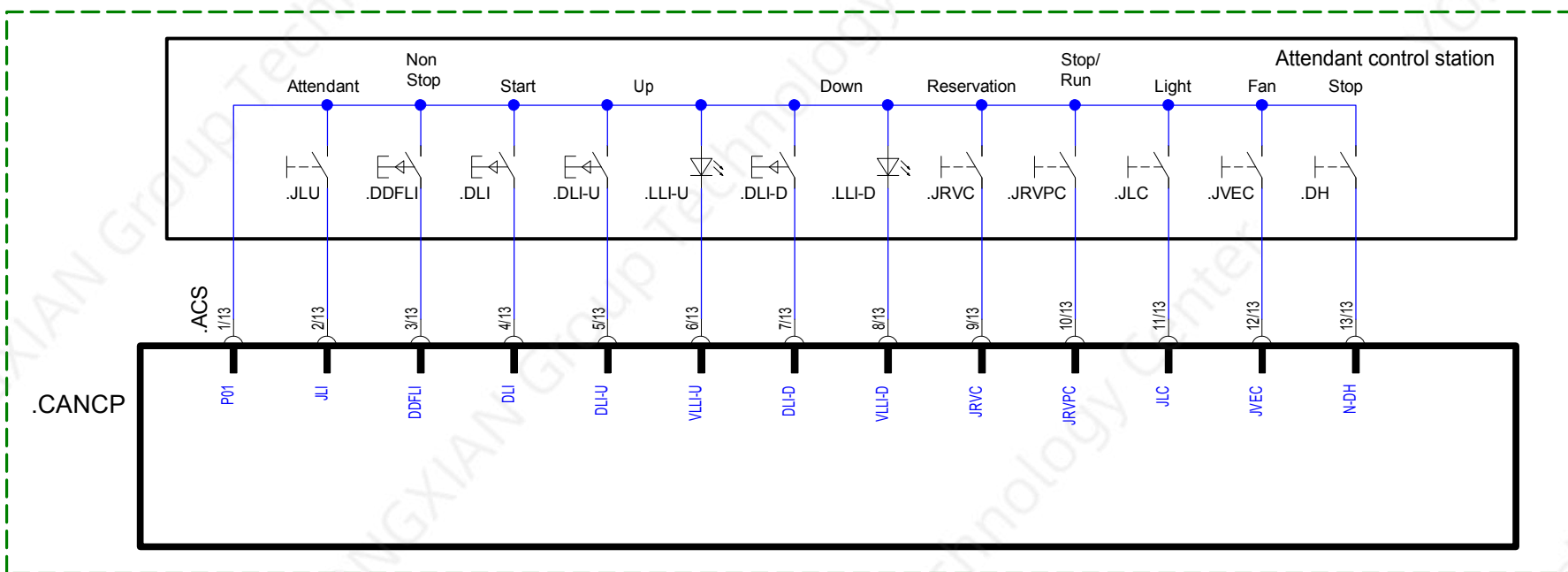
INDIA



KOREA



TAIWAN



45620143_S_000_2_000000132
Plot-Date: 5/8/2017

ECAD

| | | | | | | | | | | | | | | | | | | | | | |
|----------------------------------|--------------|----------|------|------|------|------|------|----------------------------------|-------|-------------|----------|----------|---|-------------|-----|------------|-----------|----------|----------|--------|----|
| INVENTIO AG CH-6052 Hergiswil | Modification | Ae 0 | Ae 1 | Ae 2 | Ae 3 | Ae 4 | Ae 5 | Archive No. | 11220 | Created | 16-08-18 | xianying | Commission Attendant control station Bionic 7 | Location | +C | Inst. | No. pages | 2 | Format | A3 | |
| | KA-No. | 594132 | | | | | | Replaces / Mod. | | Checked | 16-08-18 | wangtige | | Lead Office | AP1 | S 45620143 | | Page | 2 | Lang. | EN |
| | Date | 17-02-25 | | | | | | Basis drawing S 45620143.0 P2 | | Norms check | 16-08-22 | suneddy | | | | | | Released | 17-02-25 | kunzbr | |



Technology Center Contacts

Email

Lift-technology@yongxiangroup.com

WhatsApp

Pre-sales Service +86 15339047757

After-sales Service +86 13379038227