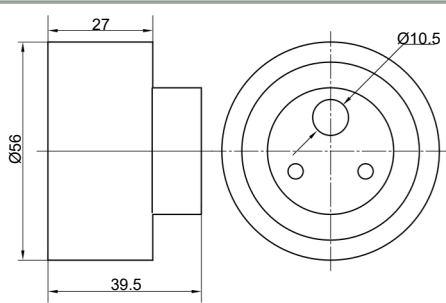



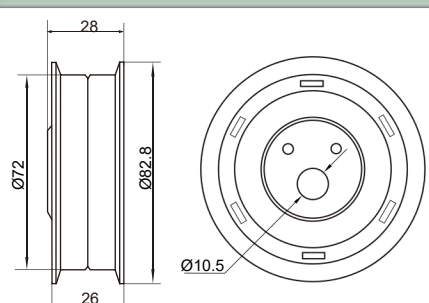

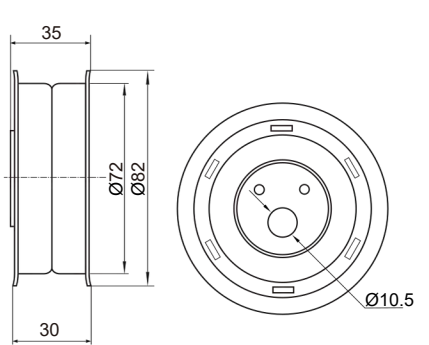



www.tp-sh.com
info@tp-sh.com

ALFA ROMEO tensioner

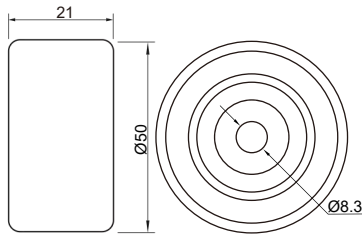


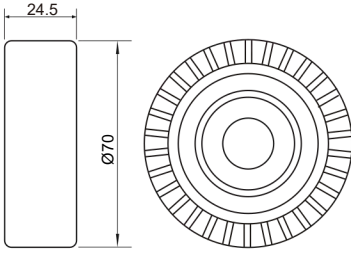
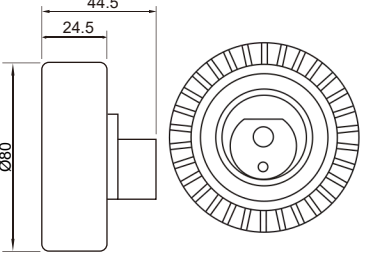

SKF	BREDA	Other No.	DRAWING	PICTURE
VKM12101	CR1646	60805833 5997325 F - 220257 F - 203093		

AUDI car tensioner

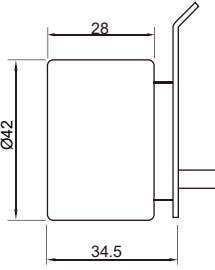

SKF	INA	BREDA	Other No.	DRAWING	PICTURE
VKM11000	F - 220093 F - 81749.1 F - 81749.5	CR1680	026109243E		
VKM11010 307839BA 307839EB 393614	F - 220095	CR1682	068109243F		

info@tp-sh.com

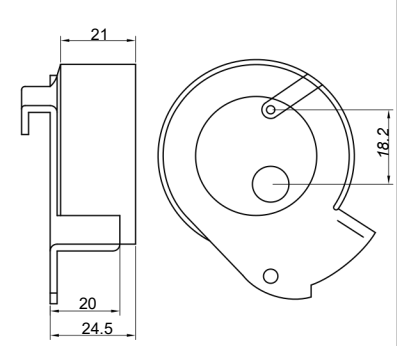

BMW car tensioner

SKF	INA	BREDA	Other No.	DRAWING	PICTURE
VKM28000	F - 211941.4 F - 219476	CR1849	11311721264		
VKM28001	F - 220085	CR1850	11311709646		
VKM38004	F - 220259.2		11281748131		
VKM38003	F - 220090.1		11281748130		

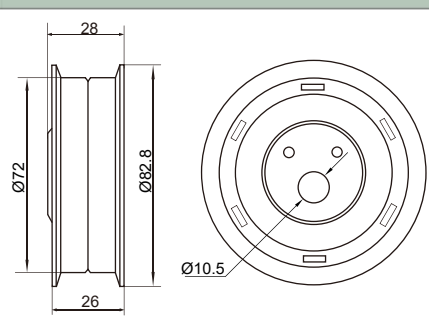

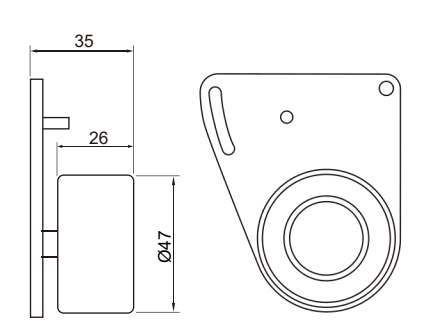

DAEWOO car tensioner

SKF	IRB	GMB	Other No.	DRAWING	PICTURE
VKM76102	IR-9973	G T 30010	12810- 81400 12810- 81401		

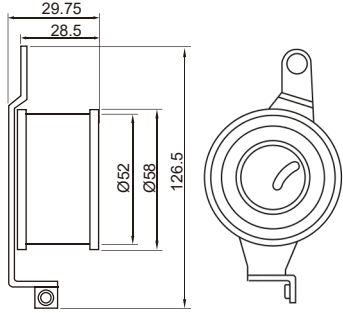

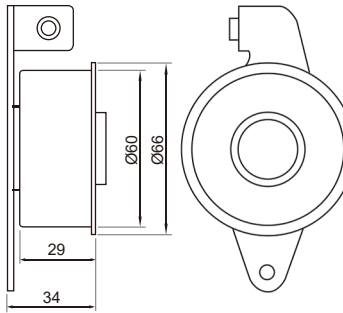

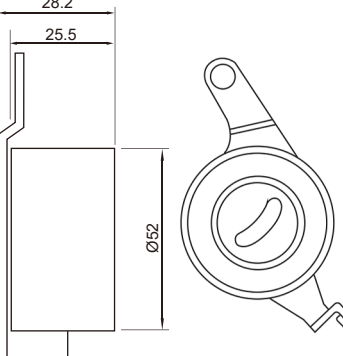

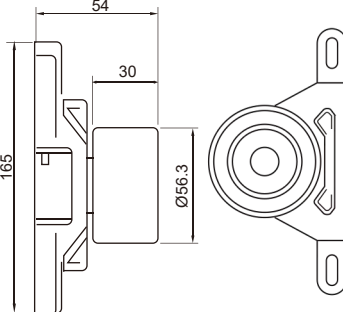

DAIHATSU car tensioner

SKF	IRB	GMB	Other No.	DRAWING	PICTURE
VKM77300	IR-9038	G T 40010	13505- 87702		

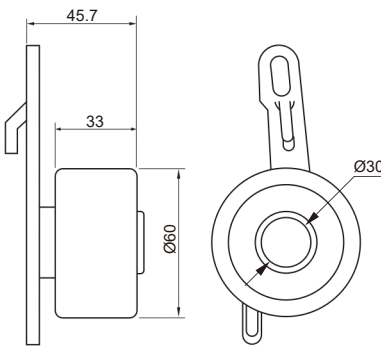

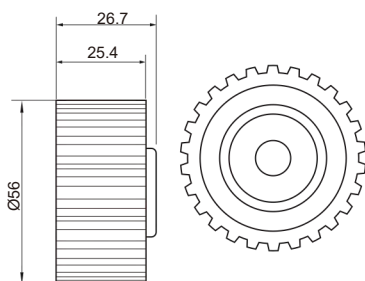

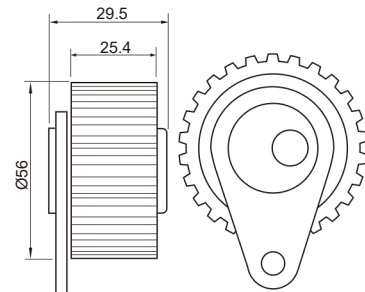

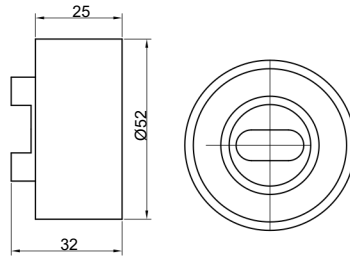

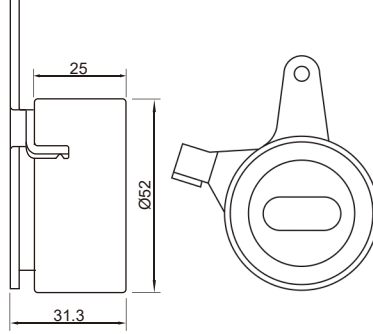

Ford car tensioner

SKF	INA	BREDA	Other No.	DRAWING	PICTURE
VKM11000	F-220093 F-217668.2 F-81749.5	CR1680	026109243.E		
VKM14000	F-82798 F-84666.4	CR1694	1496915		

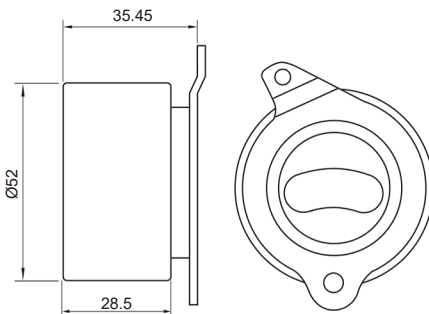

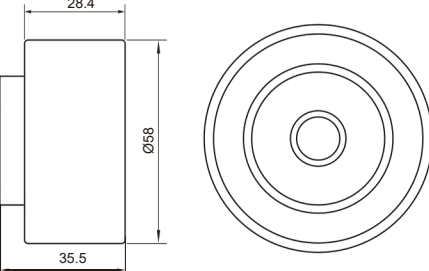

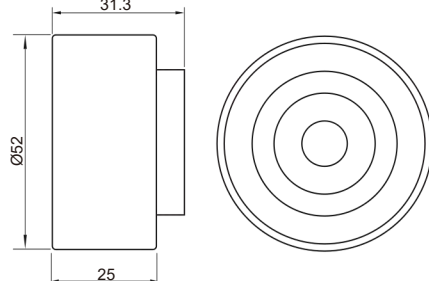

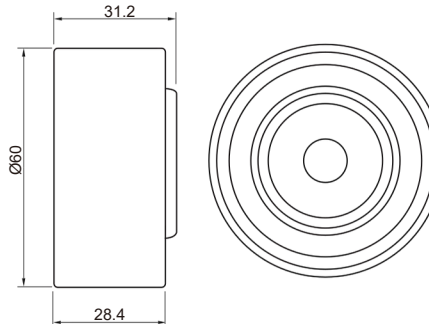

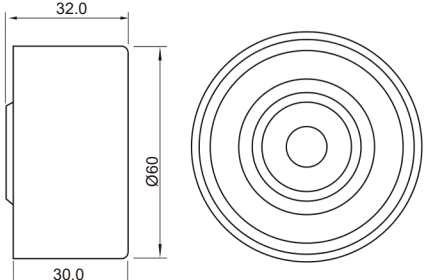

Ford car tensioner

SKF	INA	BREDA	Other No.	DRAWING	PICTURE
VKM14100	F - 140057	CR1872	6497120		
VKM14103	F-110937 F - 123642		96F F - 6K254- BA		
VKM14105	F - 140057.2		1005516		
VKM14201	F - 140055 F - 210045		6182891 84SM-6K254-CA		

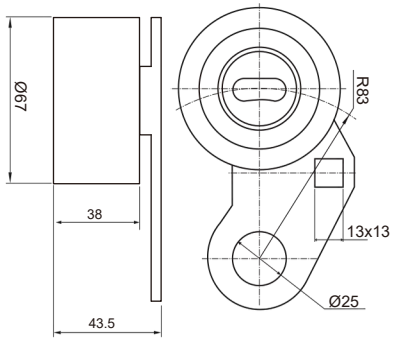

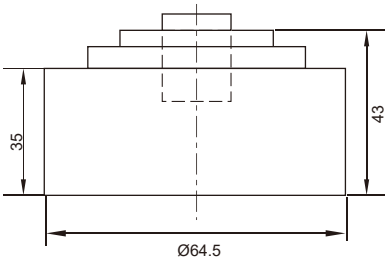

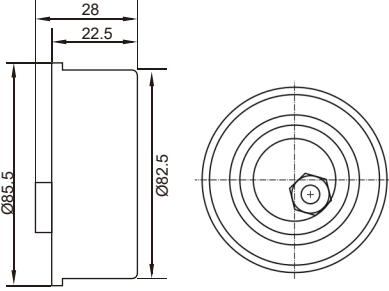

Ford car tensioner

SKF	INA	Other No.	DRAWING	PICTURE
VKM14301	F - 140056 F - 48559.7	6121753 CR1830		
VKM24100	F-140073.2	1005823 96F F - 6K254- DA		
VKM24107		1040677		
VKM74200		B630- 12- 700C/D		
VKM74201		B660- 12- 730B/C		

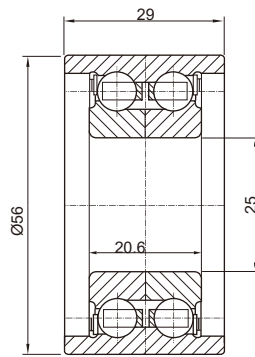

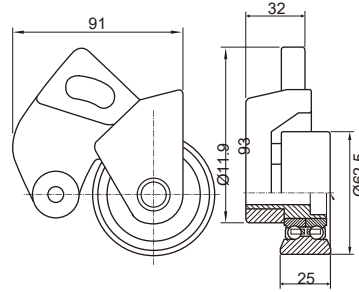

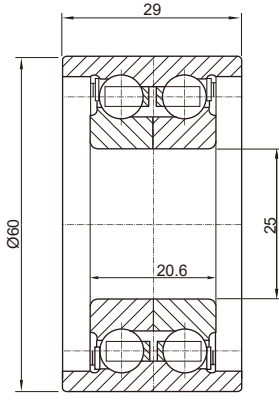

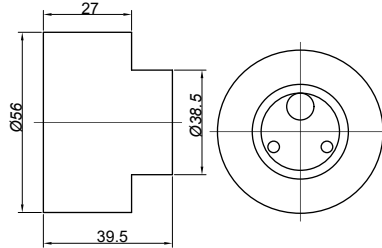

Ford car tensioner

SKF	Other No.	DRAWING	PICTURE
VKM74600	K973- 12- 700 FEIH-12-700A		
VKM84000	GT80040		
VKM84201	B660- 12- 730A		
VKM84600	F E1H- 12- 730A		
VKM84601	F E3N- 12- 730		

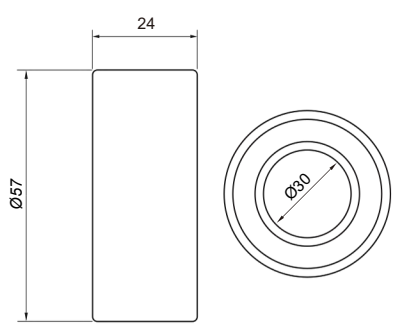

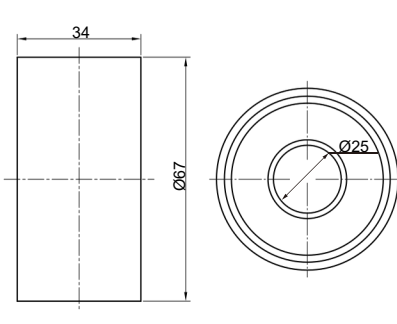

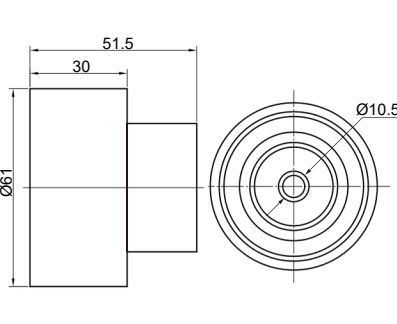

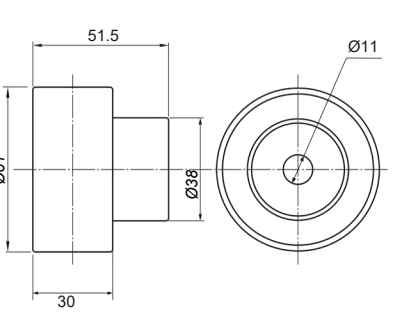

Ford car tensioner

SKF	INA	Other No.	DRAWING	PICTURE
VKM17406	F-140564.1	Rover-LHP 100680		
VKM23529S	F-140070.1	Rover-LHV 100150		
	F - 44818.2	F 87A- 6A228- AA		

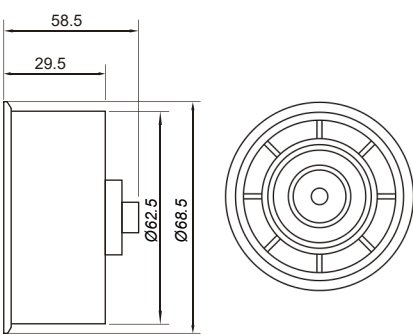

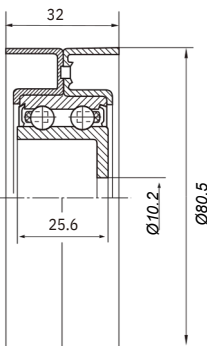

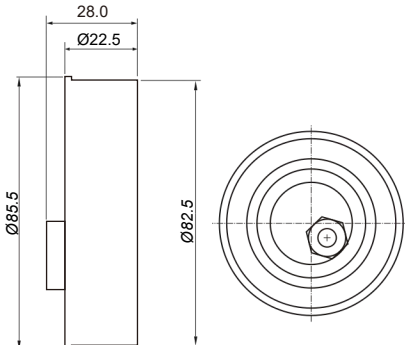

FIAT tensioner

SKF	INA	BREDA	Other No.	DRAWING	PICTURE
VKM12003		CR1667	4386575		
VKM12010	F - 45986	CR1659	4427068		
VKM12100 BA2B633272		CR1664	4385583		
VKM12101 BA2B633624D 633624BC	F - 220257 F - 203093	CR1646	60805833 5997325 5997326		

FIAT tensioner

SKF	INA	BREDA	Other No.	DRAWING	PICTURE
VKM12200 441754D BB1B630632B	F - 36261 F - 36261.1	CR1654	5972277 95619217 0829.17		
VKM12380 BA2B633332A	F - 220323	CR1665	4740846 5001001272		
VKM22151 BB1D630643B		CR1645	7553565		
	F - 110591.1		46740726		

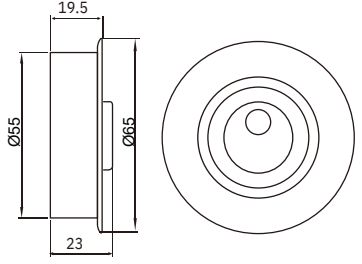

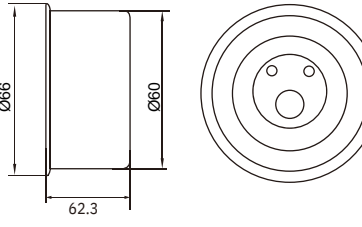

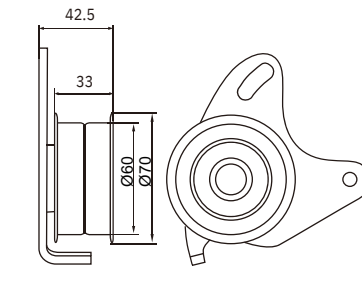

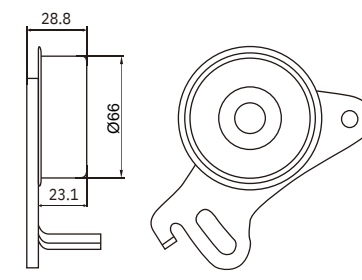

GENERAL MOTORS tensioner

SKF	INA	BREDA	Other No.	DRAWING	PICTURE
VKM25202	F - 224963	CR1880	09128741 90411787 636418		
VKM26501	F - 123142		Nro.MWM38001		
	F - 44818.2		F 87A- 6A228- AA		

HYUNDAI car tensioner

SKF	IRB	GMB	Other No.	DRAWING	PIC TURE
VKM75001	IR-9987	GT80090	MD146186 JPU60-238+JF441	 	
VKM75004	IR-9064	GT10080	PU316029BRKDV 24410-35000 24410-35020 24410-35060	 	
VKM75006	IR-9975	GT10022	24410-22020 24410-26000 JPU60-283+JF485	 	
VKM75008		GT10040	23357-32020 23357-32040 23357-32050 JPU60-243	 	
VKM75033	IR-9059	GT10032	60TB041 MD011536 JPU60-216+JF391 24410-32553 24410-32555 24410-32560	 	

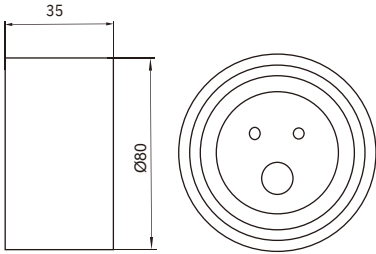

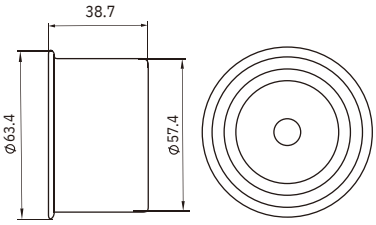


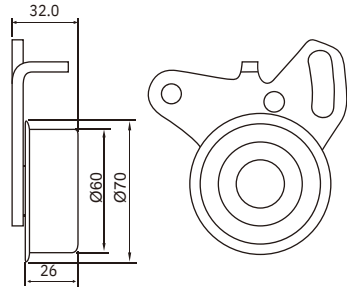

HYUNDAI car tensioner

SKF	IRB	GMB	Other No.	DRAWING	PIC TURE
VKM75044		GT10070	23357-33120 23357-33130 JPU55-54		
VKM75100	IR-9986	GT10010	24410-21000 24410-21010 24410-21014 24410-21020 60T B048B01 JPU60-71+JF129		
VKM75144	IR-9054	GT10060	2 4 4 50-33010 24450-33020 JPU60-215		
VKM75601		GT10140	24317-42000 24317-42010 24317-42020 60T B039B01		
VKM75612		GT10130	23357-42000 23357-42010 23357-42020 23357-42030 MD050125 JPU581+JF181		

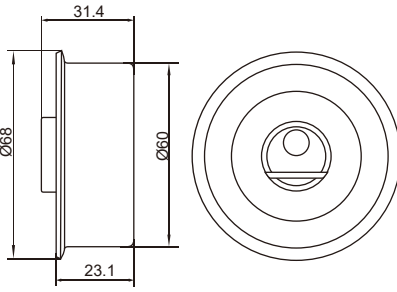

HYUNDAI car tensioner

SKF	IRB	GMB	Other No.	DRAWING	PIC TURE
VKM85000	IR-9055	GT10050	24810-33001 24810-33011 24810-33021 24810-33024 MD156604 PU276033RR14D		
VKM23502S		GT10150	24410-23011 70T B0615		
		GT10090	25281-35020 25281-35050 25281-35060 MD308882 PU1590-29RR1HN		
VKM89001		GT10120	25281-35520 25281-35530 PU351027CRR1DY		
VKM85145		GT10170	24810-26010 24810-26020		

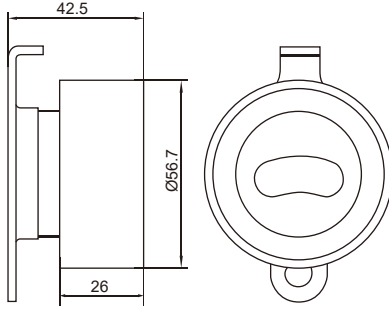

HYUNDAI car tensioner

SKF	GMB	Other No.	DRAWING	PIC TURE
	GT10100	24450-35500 24450-35510 24450-35530 PU106018BRR9D		
VKM85002	GT10110	2 4810-35500 24810-35510 24810-35530 PU305729ARR1DW		
VKM85147	GT10160	24810-23011 60ST624DDW AX		
	GT10031	24410-32580 MD129033 60T B041B12		

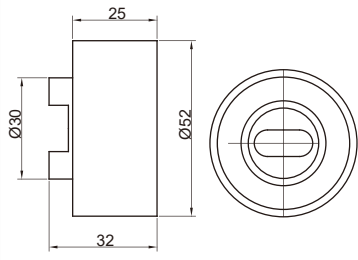

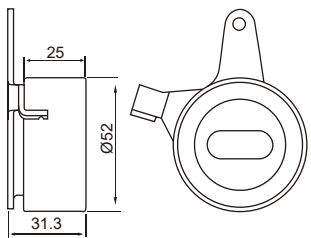


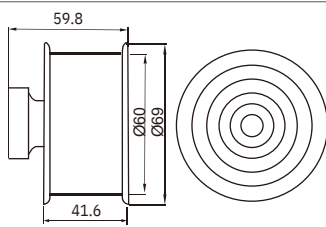

HOLDEN car tensioner

SKF	IRB	GMB	Other No.	DRAWING	PIC TURE
VKM72000	IR-9032	GT80110	13070-01M00 X3-JPU60-27 60T B041B2		

HONDA car tensioner

SKF	IRB	GMB	Other No.	DRAWING	PICTURE
VKM73000	IR-9927	G T 80100	14510- PM7- 003		

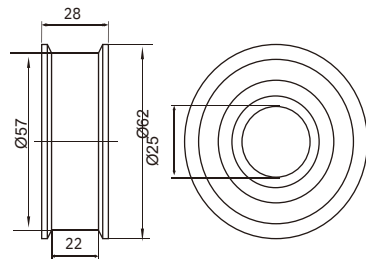

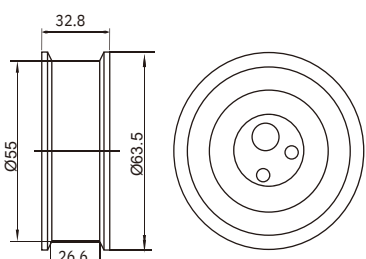

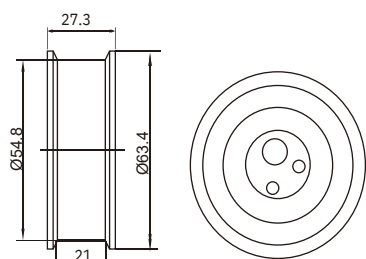

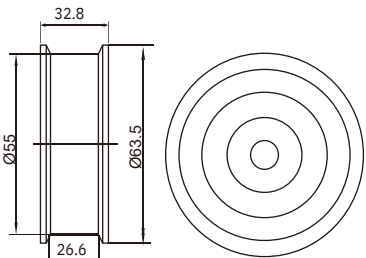

KIA car tensioner

SKF	GMB	KOYO	Other No.	DRAW ING	PICT URE
VKM74200	G T 20040	PU245228CRR1H-1	K151-12-700 B630- 12- 700C/D IR-9983		
VKM74201	GT20050	PU285226RR1HV	K938-12-700 B660-12-730B/C IR-9069		
VKM74600	GT20010	PU259229RR1HV	K973-12-700 52TB2802B02 IR-9073		
VKM84005	GT20090		OJE-12-730A IR-9088		
VKM84006	GT20100		OJE-12-740A IR-9089		

KIA car tensioner

SKF	GMB	KOYO	Other No.	DRAW ING	PICT URE
VKM84201	G T 20060	PU245226BRR1H	B660- 12- 730A OK938-12-730		
VKM84600	GT20020	DG3060312RD2HC2	FE1H-12-730A OK973-12730		
VKM84601	GT20030	DDG30602RD1HC25+SV1	FE3N-12-730 OK955-12730		

LADA car tensioner

SKF	BREDA	Other No.	DRAWING	PICTURE
VKM18200	CR1860	21051006118 21051006125 [SBR]TD-302064		
VKM13046		2108- 1006120 [SBR]T D-302120		
VKM13044		2112- 1006120		
		2112- 1006135		

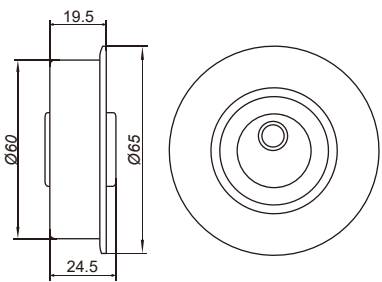

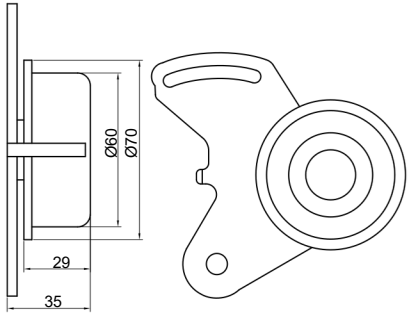

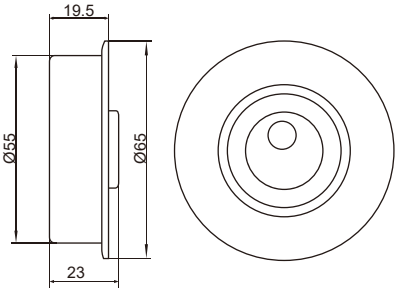

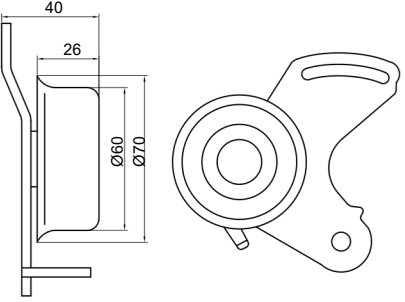

Mercedes-Benz car tensioner

SKF	INA	BREDA	Other No.	DRAWING	PICTURE
VKM38001	F-219949	CR1457	6012000970		
VKM38002	F - 2 20092	CR1456	6012000770		
VKM38012	F - 2 20092		6012001270		

MITSUBISHI car tensioner

SKF	IRB	GMB	Other No.	DRAWING	PICTURE
VKM74200	IR-9983	G T 20040	B630- 12- 700C/D PU245228CRR1H-1		
VKM74201	IR-9069	G T 20050	PU285226RR1HV		
VKM75001	IR-9987	G T 80090	J PU60- 238+J F 441 MD146186		
VKM75004	IR-9064	G T 10080	PU316029BRKDV MD146578		

MITSUBISHI car tensioner

SKF	IRB	GMB	Other No.	DRAWING	PICTURE
VKM75008		G T 10040	23357- 32050 J PU60- 243 MD128765		
VKM75033	IR-9059	G T 10032	24410-32555 24410-32560 24410-32553 MD011536 60T B041 J PU60- 216+J F 391		
VKM75044		G T 10070	23357- 33130 J PU55- 54 MD115976		
VKM75100	IR-9986	G T 10010	60T B048B01 J PU60- 71+J F 129 MD030605		

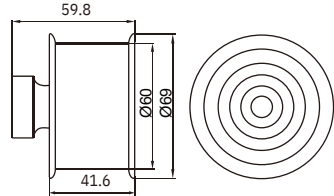

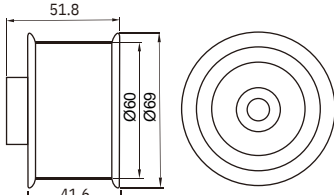

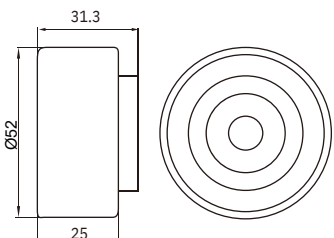

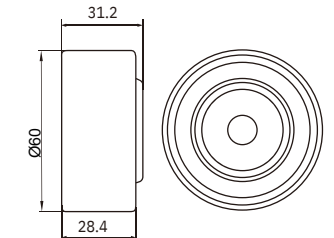

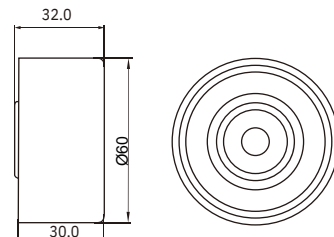

MITSUBISHI car tensioner

SKF	IRB	GMB	Other No.	DRAWING	PICTURE
VKM75144	IR-9054	G T 10060	24450- 33020 J PU60- 215 MD129355		
VKM75601		G T 10140	60T B039B01 MD050135		
VKM75612		G T 10130	23357- 42030 J PU581+J F 181 MD050125		
VKM85000	IR-9055	G T 10050	MD156604 PU276033RR14D		
		G T 10090	MD308882 PU1590-29RR1HN		

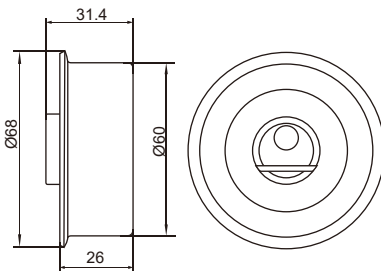

MAZDA car tensioner

SKF	IRB	GMB	Other No.	DRAWING	PICTURE
VKM74200	IR-9983	G T 20040	B630- 12- 700C/D/E PU245228CRR1H-1		
VKM74201	IR-9069	G T 20050	B660- 12- 730B/C/D PU285226RR1HV		
VKM74600	IR-9073	G T 20010	K973- 12- 700 52T B2802B02 PU259229RR1HV FEIH-12-700A		
VKM84000		G T 80040	F S01- 12- 730A J PU52- 138		

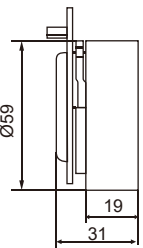

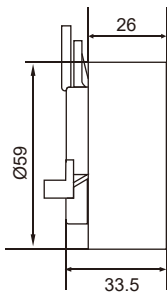

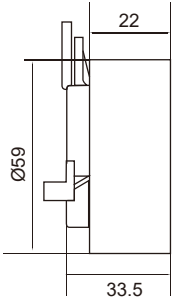

MAZDA car tensioner

SKF	IRB	GMB	Other No.	DRAWING	PICTURE
VKM84005	IR-9088	G T 20090	JE26-12-730A		
VKM84006	IR-9089	G T 20100	JE26-12-740A O J E- 12- 740A		
VKM84201		G T 20060	B660-12-730/730C B660- 12- 730A PU245226BRR1H J PU52- 131		
VKM84600		G T 20020	F E1H- 12- 730A DG 3060312RD2HC2		
VKM84601		G T 20030	F E3N- 12- 730 DDG 30602RD1HC25+SV1		

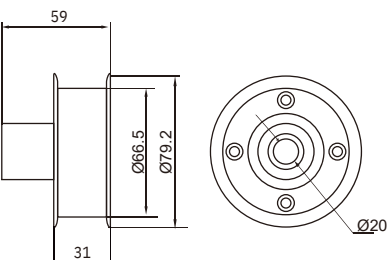

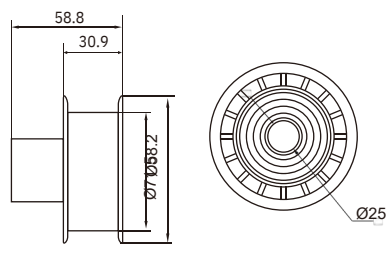

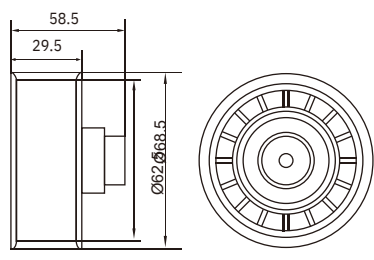

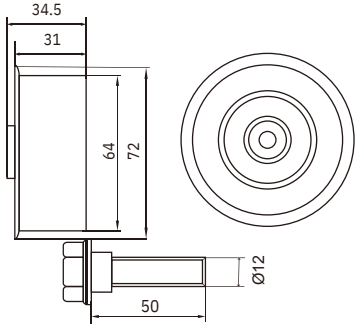

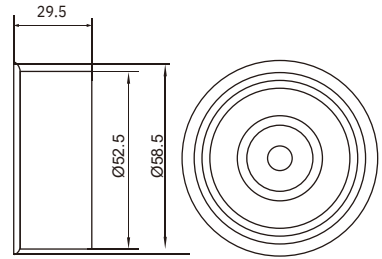

NISSAN car tensioner

SKF	IRB	GMB	Other No.	DRAWING	PICTURE
VKM72000	IR-9032	G T 80110	13070- 01M00 X3- J PU60- 27 60T B041B2		

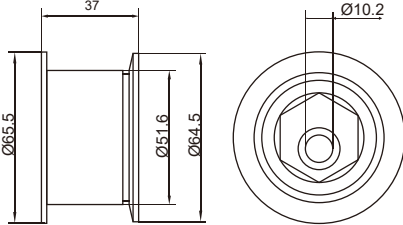
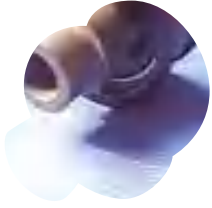
OPEL/VAUXHALL car tensioner

SKF	INA	BREDA	Other No.	DRAWING	PICTURE
VKM15121	9202478	CR1885	636740 636734 5636722		
VKM15202	979195	CR1800	636726 ex 636737 5636738		
VKM15402	979311		5636429		

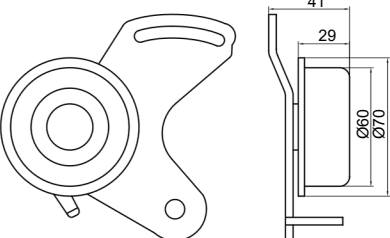

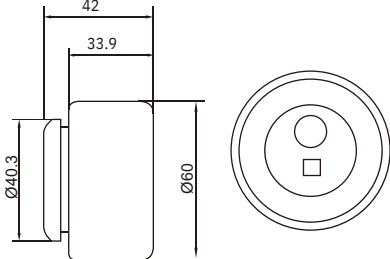

OPEL/VAUXHALL car tensioner

SKF	INA	BREDA	Other No.	DRAWING	PICTURE
VKM25200	F - 200242 F - 220135	CR1696	636421 QT T 165		
VKM25201	F - 220086	CR1837	636422 QT T 166		
VKM25202	F - 224963	CR1880	636737 636418		
VKM25208			636730 NT N6004LU		
VKM25212	F - 224964	CR1801	636415 5636425		

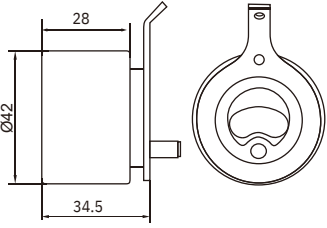

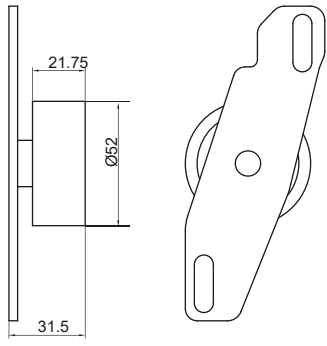

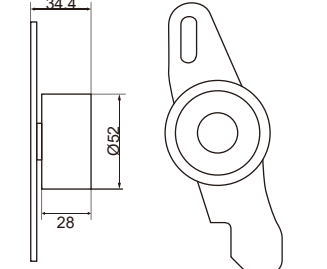

OPEL/VAUXHALL car tensioner

SKF	INA	BREDA	Other No.	DRAWING	PICTURE
VKM25500	F - 224936		5636424		

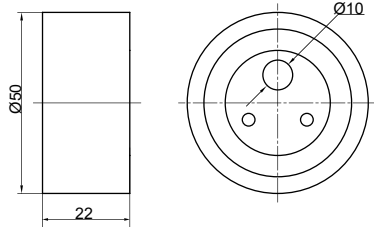

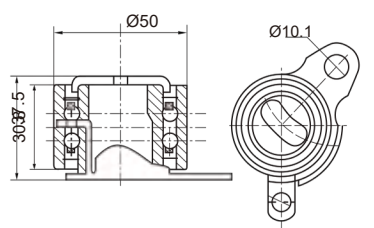

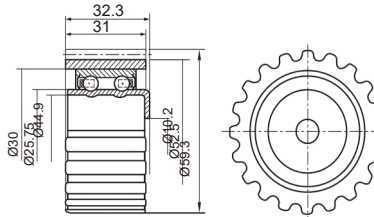

OTHER car tensioner

SKF	Other No.	application	DRAWING	PICTURE
VKM74501	1257120 IR-9071 52T B057B01 52T B0532B01	[FORD] Ttelstar 1.6/1.8/2.0 [MAZDA]626/929 Luce 1.6/1.8/2.0 Cc os m os [BO NG O]1.8		
VKM75006	24410-21010 B660-12-730B/C IR-9061 [GMB] E6203RT A	[HYUNDAI] Ac c ent Pony Sc oupe		
VKM13244	0829.60 F - 13244	[CITROEN] Ber lingo Evas ion J um py XantiaA Xs ar a		

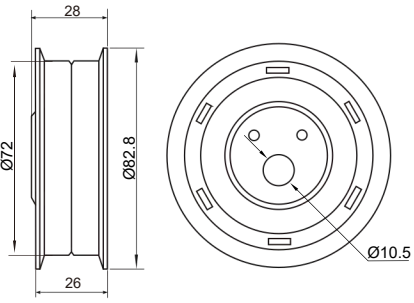

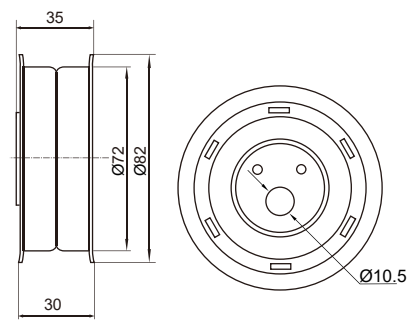

SUZUKI car tensioner

SKF	NTN	IRB	GMB	Other No.	DRAWING	PICTURE
VKM76102	J PU42- 17+J F 417	IR-9973	G T 30010	12810- 81401		
VKM76103	J PU52- 128+J F 434	IR-9017	G T 80080	12810-73002		
	J PU52- 111+J F 434		G T 80120	12810- 53A00		


RENAULT car tensioner

SKF	INA	BREDA	Other No.	DRAWING	PICTURE
VKM16000	F-39924.10 F-123958		7700736085		
VKM16101	F-39508.5 F-123776	CR1838	3343740-1 7700726440 QTT112		
V K M 26114	F-123777 C751		7700107249 7700875307		

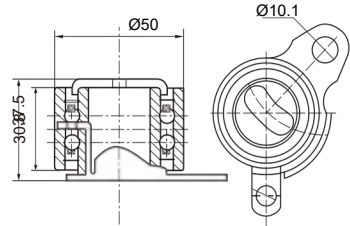


SEAT car tensioner

SKF	INA	BREDA	Other No.	DRAWING	PICTURE
VKM11000	F-220093	CR1680	026109243E TB8328 G780070		
VKM11010	F-220095 F-87936	CR1682	068109243F		

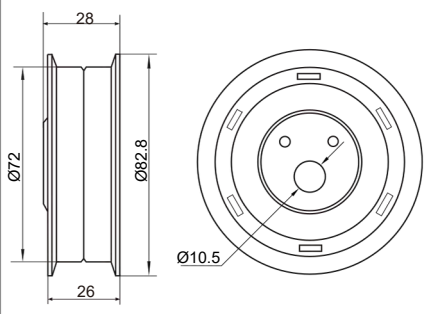

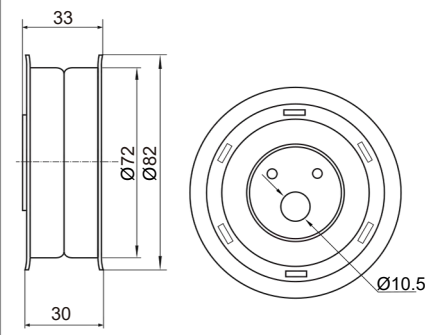

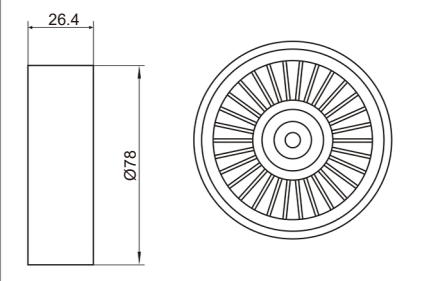

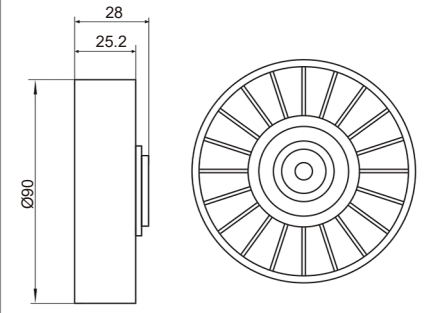

TOYOTA car tensioner

SKF	IRB	GMB	Other No.	DRAWING	PICTURE
VKM71003	IR-9992	G T 80020	13505- 74020 57T B3705B01 PU385827		
VKM75004	IR-9064	G T 10080	MD104578 PU316029BRLDV		
VKM71007	IR-9999	G T 80010	13505- 15040/41		
VKM81004	IR-9991	G T 80030	13503- 63021 57T B3701 PU355816RR9H		

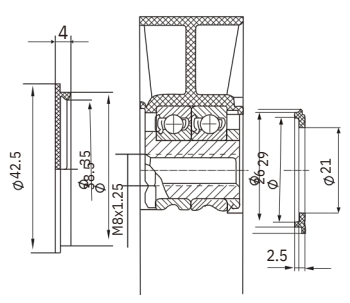
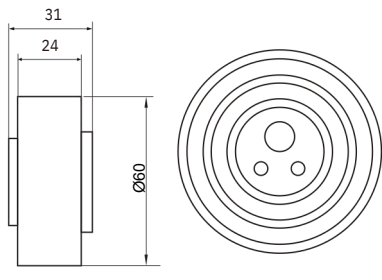

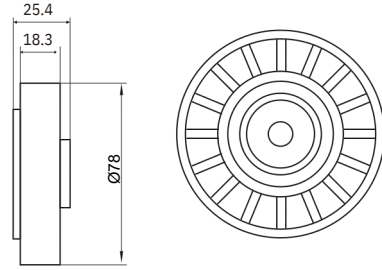

VOLVO tensioner

SKF	INA	Q.H.	BREDA	Other No.	DRAWING	PICTURE
VKM16101	E - 39508.5 F - 123776	QT T 112	CR1838	3343740.1		
VKM21031	F-220096 F - 85300.2	QT T 174	CR1681	1257120		

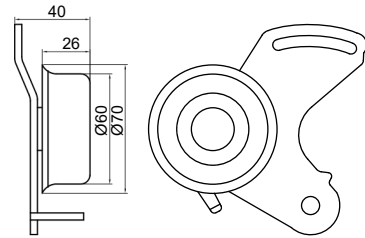

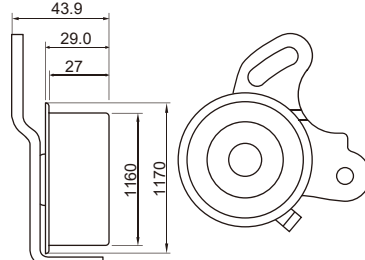

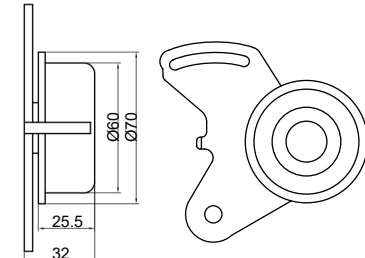

VOLKSWAGEN car tensioner

SKF	INA	BREDA	Other No.	DRAWING	PICTURE
VKM11000	F - 220093 F-81749.1 F - 81749.5 F - 217668.2	CR1680	026109243 E G T 80070 IR-9805 QTT127		
VKM11010	F-220095 F - 87936	CR1682	068109243 F QTT172 GT80280		
VKM31004			028145278 E		
VKM31007	F - 231228		074145278 E		

VOLKSWAGEN car tensioner

SKF	INA	BREDA	Other No.	DRAWING	PICTURE
	F-214797		028145278 E		
	F - 220288		046130195 B		
	F - 231222		053903341		

PROTON car tensioner

SKF	NTN	IRB	GMB	Other No.	DRAWING	PICTURE
VKM75100	JPU60-71+JF129	IR-9986	GT10010	MD030605 60TB048B01		
VKM75001	JPU60-238+JF441	IR-9987	GT80090	MD146186		
VKM75033	JPU60-216+JF391	IR-9059	GT10032	MD011536 60TB041		

PORSCHE car tensioner

SKF	INA	IRB	GMB	Other No.	DRAWING	PICTURE
VKM11000	F-217668.2 F-220093 F-81749.1 F-81749.5	IR-9805	GT80070	026109243E	