



中山市宝锐摄影器材有限公司

Zhongshan Prorui Photographic Equipment Co., Ltd

Main business: tripods/monopods/heads/quick assembly accessories/photo camera peripheral accessories

The company integrates
R&D/production/sales/service

Become an industry benchmark enterprise that customers rely on and

employees love. Provide customers with professional, high-quality and cost-effective imaging system solutions and a complete service system.

2014

Zhongshan Baorui
Photographic
Equipment Co., Ltd.
was established

2015

Zhongshan Baorui
Photographic
Equipment Co., Ltd.
was established

2016

Zhongshan Baorui
Photographic
Equipment Co., Ltd.
was established

2018

Establish a sales team,
continue to improve
quality, delivery and
service, expand
multiple online sales
channels, focus on
developing cost-
effective products, and
serve more than 20,000
customers

2020

The sales team has
developed rapidly,
expanding multiple
sales channels at
home and abroad,
including spot
inventory wholesale
and OEM/ODM
customized
processing, serving
more than 50,000
customers in more
than ten countries
and regions.

2021

Products cover more
than 200 series,
apply for multiple
invention patents,
focus on industry
category extension,
focus on product
cost-effectiveness,
humanization, one-
stop service
customers more than
100,000, spread over
more than 20
countries and
regions

2023

Putting customer
experience first, we
focus on providing
customers with
one-stop imaging
system solutions,
apply for multiple
invention patents,
and serve more
than 300,000
customers in more
than 30 countries
and regions.





P285A



P285C



P306A



P306C



P315A



P315C



P366C



P406C









Tripod

W284+K36



W324+M44



Model	Material	Section	Weight	Maximum diameter of pipe	Smallest diameter of the pipe	Receiving Height	Full open height
W284C+K36	Carbon fiber	4	4.18lbs	1.1in	0.74in	18.89in	67.65in
W324+M44	Carbon fiber	4	4.54lbs	1.25in	0.9in	19.68in	73.22in



Tripod

BX255C+K30



BX285C+K36



Model	Material	Section	Weight	Maximum diameter of pipe	Smallest diameter of the pipe	Receiving Height	Full open height
BX255C+K30	Carbon fiber	5	3.08lbs	0.98in	0.47in	13.77in	59.84in
BX285C+K36	Carbon fiber	5	3.74lbs	1.1in	0.62in	14.56in	64.96in



Tripod

ST-364C



ST-424C



Model	Material	Section	Weight	Maximum diameter of pipe	Smallest diameter of the pipe	Receiving Height	Full open height
ST-364C	Carbon fiber	4	5.51lbs	1.41in	1.06in	21.25in	61.41in
ST-424C	Carbon fiber	4	5.68lbs	1.57in	1.18in	22.44in	61.41in



Mini Tripod

ST-3



ST-4



MS02



MS05



MS06



MS22



Model	Material	Section	Weight	Maximum diameter of pipe	Receiving Height	Full open height
ST-3	Aluminum alloy		1lbs		8.46in	4.17in
ST-4	Aluminum alloy		1.13lbs		8.46in	5.51in
MS02	Aluminum alloy	2	1.19lbs	0.98in	7.87in	11.02in
MS05	Aluminum alloy	1	0.51lbs		5.11in	7.08in
MS06	plastic		0.34lbs		7.08in	6.88in
MS22	Aluminum alloy		0.34lbs		6.29in	23.62in



Tripod

MS03



MS18



MS19



MS08



MS08A



MATE10



Model	Material	Section	Weight	Maximum diameter of pipe	Smallest diameter of the pipe	Receiving Height	Full open height
MS03	Aluminum alloy	5	1.45lbs	0.98in	0.51in	6.29in	19.68in
MS18	Aluminum alloy	5	1.3lbs	0.98in	0.47in	9.05in	20.47in
MS19	Aluminum alloy	5	1.47lbs	0.98in	0.47in	6.29in	20.47in
MS08	Aluminum alloy	5	1.6lbs	0.98in		6.29in	18.11in
MS08A	Aluminum alloy	5	1.78lbs	0.98in	0.47	7.08in	21.65in
MATE10	Aluminum alloy	5	1.02lbs	0.98in		5.9in	16.53in



Tripod

RC223C



MS12



MS12



MS12



Model	Material	Section	Weight	Maximum diameter of pipe	Receiving Height	Full open height
RC223C	carbon fiber	3	1.72lbs	0.86in	11.22in	16.33in
MS12	Aluminum alloy	5	2.33lbs	0.98in	11.81in	57.08in
MS26	Aluminum alloy	5	4.76lbs	0.98in	11.81in	57.08in
MS27	Aluminum alloy	5	2.64lbs	0.98in	12.99in	59.05in



Tripod

MS29A



MS29C



Model	Material	Section	Weight	Maximum diameter of pipe	Smallest diameter of the pipe	Receiving Height	Full open height
MS29A	Aluminum alloy	5	3.15lbs	0.98in	0.51in	14.17in	60.23in
MS29C	Carbon fiber	5	2.66lbs	0.98in	0.51in	14.17in	60.23in



Tripod

RC294C+K44



RC334C+K44



RC254+LH28



Model	Material	Section	Weight	Maximum diameter of pipe	Receiving Height	Full open height
RC294+K44	Carbon fiber	4	2.77lbs	1.14in	18.5in	40.6in
RC334+K44	Carbon fiber	4	3.52lbs	1.29in	19.88in	54.52in
RC256+LH28	Carbon fiber	4	2.51lbs	1.1in	20.66in	51.96in



Monopod

P335C



P336C



P365C



P366C



P405C



P406C



Model	Material	Section	Weight	Maximum diameter of pipe	Smallest diameter of the pipe	Receiving Height	Full open height
P335C	Carbon fiber	5	0.98lbs	1.29in	0.7in	18.5in	65.74in
P336C	Carbon fiber	6	0.99lbs	1.29in	0.59in	16.92in	65.35in
P365C	Carbon fiber	5	1.13lbs	1.41in	0.86in	18.5in	65.74in
P366C	Carbon fiber	6	1.13lbs	1.41in	0.7in	16.92in	65.74in
P405C	Carbon fiber	5	1.27lbs	1.57in	0.98in	18.3in	65.35in
P406C	Carbon fiber	6	1.29lbs	1.57in	0.86in	17.12in	65.74in



Monopod

P256

P256A

P264

P264B



Model	Material	Section	Weight	Maximum diameter of pipe	Smallest diameter of the pipe	Receiving Height	Full open height
P256	Aluminum alloy	6	0.51lbs	0.98in	0.39in	11.02in	48.03in
P256A	Aluminum alloy	6	0.51lbs	0.98in	0.39in	11.02in	48.03in
P264	Aluminum alloy	4	0.74lbs	1.02in	0.66in	18.5in	59.05in
P264B	Aluminum alloy	4	0.8lbs	1.02in	0.66in	18.5in	59.05in



Monopod

P285A

P285C

P306A

P306C

P315A

P315C



Model	Material	Section	Weight	Maximum diameter of pipe	Smallest diameter of the pipe	Receiving Height	Full open height
P285A	Aluminum alloy	5	0.97lbs	1.1in	0.62in	16.53in	61.02in
P285C	Carbon fiber	5	0.73lbs	1.1in	0.62in	16.53in	61.02in
P306A	Aluminum alloy	6	1.13lbs	1.22in	0.62in	15.35in	62.99in
P306C	Carbon fiber	6	0.84lbs	1.22in	0.62in	15.35in	62.99in
P315A	Aluminum alloy	5	1.1lbs	1.22in	0.74in	16.92in	62.99in
P315C	Carbon fiber	5	0.81lbs	1.22in	0.74in	16.92in	62.99in



Monopod

P308

P308A

P308B

P308C

P308D



Model	Material	Section	Weight	Maximum diameter of pipe	Smallest diameter of the pipe	Receiving Height	Full open height
P308	Aluminum alloy	8	0.81lbs	1.18 in	0.39in	11.02in	61.81in
P308A	Aluminum alloy	8	0.92lbs	1.18in	0.39in	11.02in	62.99in
P308B	Aluminum alloy	8	0.94lbs	1.18in	0.39in	12.2in	62.99in
P308C	Aluminum alloy	8	0.76lbs	1.18in	0.39in	11.02in	61.81in
P308D	Aluminum alloy	8	0.77lbs	1.18in	0.39in	11.02in	61.81in



Extension rod series



Model	Material	Section	Weight	Maximum diameter of pipe	Smallest diameter of the pipe	Receiving Height	Full open height
P225	Aluminum alloy	5	0.58lbs	0.86 in	0.39in	15.15in	59.05in
P225C	Carbon fiber	5	0.42lbs	0.86in		15.35in	59.44in
P28	Carbon fiber	1	0.17lbs	1.1in			10.43in
P36	Carbon fiber	1	0.28lbs	1.41in			14.17in
P252A	Aluminum alloy	2	0.26lbs	0.98in	0.86in	8.85in	15.35in
P282A	Aluminum alloy	2	0.31lbs	1.1in	0.98in	8.85in	15.35in



Extension rod series



Model	Material	Section	Weight	Maximum diameter of pipe	Receiving Height	Full open height
P275A	Aluminum alloy	5	0.34lbs	1.06in	7.48in	28.74in
P204A	Aluminum alloy	4	0.32lbs	0.78in	7.28in	19.29in
P255A	Aluminum alloy	5	0.37lbs	0.98in	10.82in	14.17in
P204B	Aluminum alloy	4	0.38lbs	0.78in	11.81in	38.81in
P204C	Aluminum alloy	4	0.28lbs	0.78in	11.81in	36.81in



Carbon fiber extehsion rod series



Model	Material	Section	Weight	Maximum diameter of pipe	Receiving Height	Full open height
YT-03	Carbon fiber	2	0.98lbs	1.27/1.14in	24.01in	4.44in
P332LC	Carbon fiber	2	0.6lbs	1.27/1.14in	24.01in	4.44in
P222C	Carbon fiber	2	0.19lbs	0.86/0.74in	9.21in	15.47in
P262C	Carbon fiber	2	0.24lbs	1.02/0.86in	9.25in	15.59in
P292C	Carbon fiber	2	0.27lbs	1.14/1.02in	9.29in	15.59in
P332C	Carbon fiber	2	0.31lbs	1.29/1.14in	9.33in	15.59in



Telephoto lens bracket four-piece series

120*38 Four-piece suit



150*38 Four-piece suit



200*38 Four-piece suit



250*38 Four-piece suit



300*38 Four-piece suit



400*38 Four-piece suit



Telephoto lens bracket column series

150*38 Columns



200*38 Columns



250*38 Columns



300*38 Columns



400*38 Columns



Telephoto lens bracket column with clip seat series

150*38 Column with clamp seat



200*38 Column with clamp seat



250*38 Column with clamp seat



300*38 Column with clamp seat



400*38 Column with clamp seat





Telephoto lens bracket four-piece series

120*50 Four-piece suit



150*50 Four-piece suit



200*50 Four-piece suit



250*50 Four-piece suit



300*50 Four-piece suit



400*50 Four-piece suit



Telephoto lens bracket column series

150*50 Columns



200*50 Columns



250*50 Columns



300*50 Columns



400*50 Columns



Telephoto lens bracket column with clip seat series

150*50 Column with clamp seat



200*50 Column with clamp seat



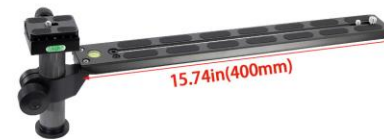
250*50 Column with clamp seat



300*50 Column with clamp seat



400*50 Column with clamp seat





Telephoto lens single board series

120*38 Long focus veneer



150*38 Long focus veneer



200*38 Long focus veneer



250*38 Long focus veneer



300*38 Long focus veneer



400*38 Long focus veneer



Telephoto lens single board series

120*50 Long focus veneer



150*50 Long focus veneer



200*50 Long focus veneer



250*50 Long focus veneer



300*50 Long focus veneer



400*50 Long focus veneer

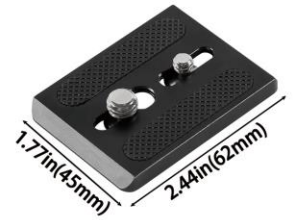


Shaque telephoto lens quick release plate series

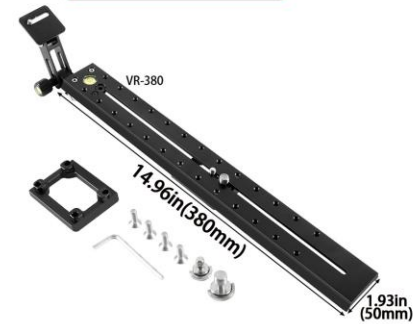
S220 PL 220mm*38mm



S60PL 62mm*45mm



VR380 380mm*50mm



VR220 220mm*50mm





VR-380L 380mm*50mm

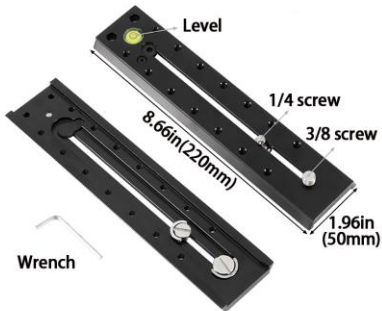
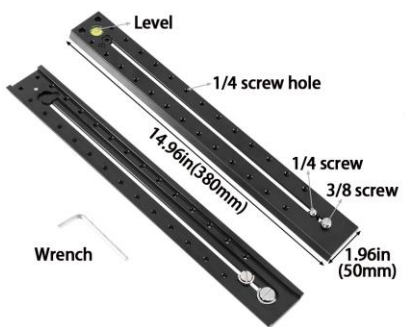
VR-220L 220mm*50mm



B380-50 380mm*50mm



B220-50 220mm*50mm



Ball Head

K19



K25



HK25



K26



K26A



H26



V30



S30



S30B



K36



H36



QB-36



Ball Head

720°



M44



NB44



NB52



K18



K18A



QB-30



QB-30A



GM36



GM44



GM54



LH-50





Ball Head

LH-30



LH-44



LH-55



LH-28



LH-32



T1



G44



LP-64



DY-60N



LEP-02



VH-35



XB-01



Ball Head

PH-720A



GH-720A



GH-3



GH-4



S36



VH10



VH105



VH125



DT-02R



DT-02S



DT-03R



DT-03S



L-shaped vertical clapper

L130-35



L130-50



L130-50A



L130-50B



L130-50C



L130H



L130A



L130B



L130C



A72



A73



A74





L-shaped vertical clapper

MPU-105L



CF-01



R5/R6



Z7



NF-200



A7C



A7C-T



X-S10



A7M3-FT



D800



5D3



5D4



PU Quick Release Plate

PU40A



PU50A



PU60A



PU70A



PU100A



PU120A



PU150A



PU50B



PU60B



PU70B



PU100B



PU120B



PU150B



PU200B



PU200A



PU300A





Quick Release Clamp

QR-40



QR-50



QR-60



QR-50A



QR-50B



QR-120



QJ-01



QJ-05



QJ-06



QJ-07



QJ-08



QR-02



Quick Release Clamp

QR-50N



QR-70N



QR-90N



QR-110N



LEP-02



P200



NNR-100



NNR-150



NNR-200



200PL-14S-A



200PL-14S-B



200PL-S



Quick Release Plate

690A



690B



690C



690D



690S



691



880



998



200PL-14A



TY-50



CX-10



501-120





Other photography accessories

LP-64



Cell Phone Clip



Flat clip



Live phone clip



Octopus hand bracket



Plank bracket



Medium phone holder



Cell phone stand



L200



Instant messaging hook



3/8 Hook



Small wire clip



Wire clamp



Changeover



G-02



Other photography accessories

Monopod Fanny Pack



Camera Bag



Tripod bag



Tripod cable bag



WN-30



WN-38



WN-40



WN-60



TM-2



TM-3



TM-4



Other photography accessories

Air Blowing



Increase the weight



LS111



LS112



FT-D



FT-01



FT-02-A



FT-10



LS056



LS057



LS006



M8

LS036



3/8



Other photography accessories

LS-082



LS-083



LS-100



LS-101



LS-102



LS-028



LS-035



LS-010



LS-011



LS-091



LS-092



LS-093



LS-044



LS-086



LS-096



LS-009



Foot pad series

3/8 Large footpads



3/8 Rubber Floor Mat



3/8 small footpads



M8 Large footpads



M8 Small footpads



1/4 Footpads



1/4 Mini footpads



M8 Mini footpads



3/8 Mini footpads



Foot pad series/ Monopod accessories

GFS34 3/8 Footpads



GSF37 3/8 Footpads



GSF50 3/8 Footpads



GSF68 3/8 Footpads



Monopod Fanny Pack



Camera rotates the foot pad



Yunteng Small footpads



Applicable Yunteng 668/690/590/888 6008/60AV/691/800

Yunteng Large footpads



Applicable Yunteng 880/870



Foot nail series

3/8 Foot Nail



1/4 Foot Nail



M8 Foot Nail



3/8 Lengthened studs (120mm)



① 4.72in (120mm) long tripod foot nail
② 2.5 wrench
③ gasket

3/8 Lengthened studs (80mm)



① 3.14in (80mm) long tripod foot nail
② 2.5 wrench
③ gasket

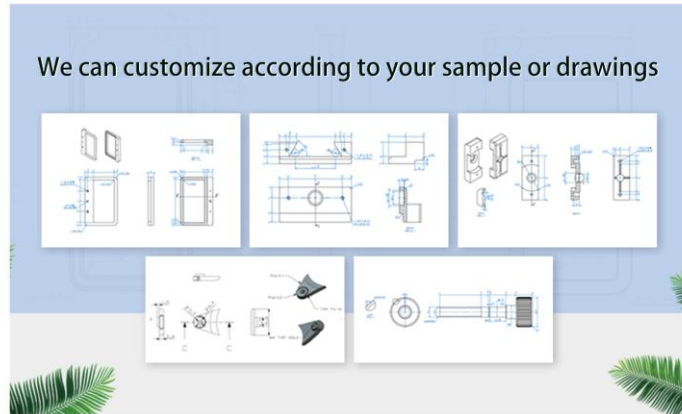
1/4 Lengthened studs (80mm)



① 3.14in (80mm) long tripod foot nail
② 2.5 wrench
③ gasket

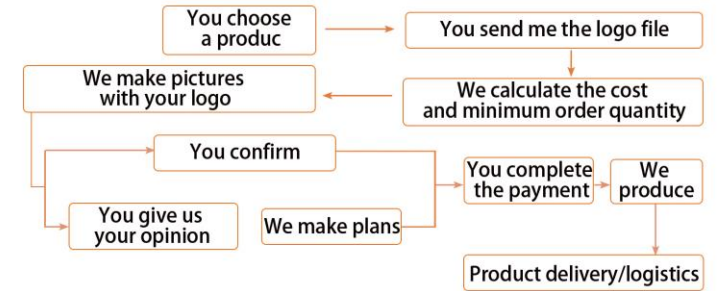


Undertake various customized processing
Customized connection hotline: 134-1167-1284

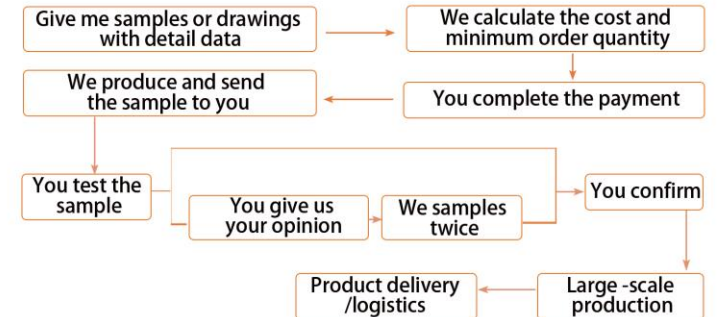


Customization Process

OEM customize



ODM manufacturing processes





- OEM production
- Sample processing
- Low minimum order quantity
- Spot wholesale
- Dropshipping
- Monthly and weekly balances
- Can be invoiced
- Privacy Policy



ZHONGSHAN BAORUI PHOTOGRAPHIC EQUIPMENT CO., LTD.



Miss Helena

WeChat scan code



Miss Helena

WhatsApp scan code

company website:

<https://prorui.en.alibaba.com/?spm=a2700.7756200.0.0.164271d2AN2khS>

<https://bexin.aliexpress.com/store/2210114>

<https://www.aliexpress.com/store/5372325>

Company email: 2235531450@qq.com bexin5@prorui.cn

Address: 5th Floor, Building 4, No. 3, Longtang Heng Street, Third Industrial Zone, Tanzhou Town, Zhongshan City, Guangdong Province