

BEXIN[®]

Main business:

Specialized tripod

Mini tripod

Monopod

Spherical Ball Head

Quick Release Plate

Other Accessories



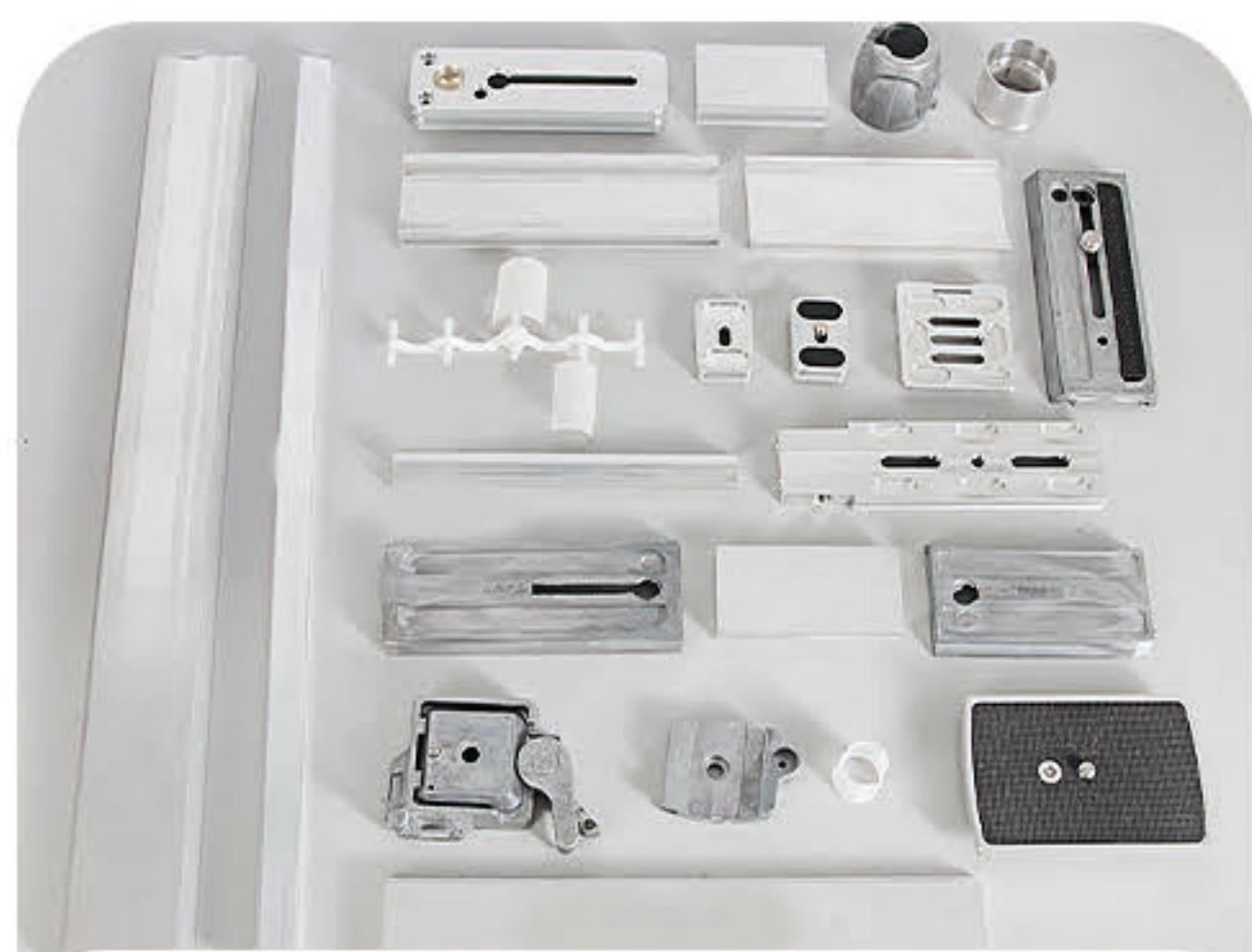
Baoruiphotography Product album

Zhongshan Baorui Photography Equipment Co., Ltd

Company Overview



Zhongshan Baorui Photography Equipment Co., Ltd. is located in Zhongshan City, Guangdong Province, the company was engaged in mold design and production in the early days, I have accumulated rich experience in plastic processing and mold production, Since 2014, I have been involved in the photography equipment industry, Products are mainly photographic brackets, outdoor product, High cost-effective products such as attachments such as photography equipment, With long-term manufacturing design experience accumulation, The company provides customized design for multiple customers, Manufacturing full-process service, High-quality design concept and reasonable manufacturing process perfectly combine, Makes product costs very competitive!



Partial custom raw material /Semi-finished product



Cases of cooperation

- OEM production
- Processed
- Lower order
- Spot wholesale
- One generation
- Monthly Weekly
- Can invoic
- Privacy Policy

Album directory

Company Profile -----	01	Ball Head-----	28/31
Product list-----	02	Vertical clapper -----	32/33
Professional tripod-----	03/05	PU Quick Release Plate -----	34/35
Small and medium tripod -----	06/10	Clamp -----	36/37
Monopod -----	11/14	Other Quick Release Plate -----	38
Extended rod -----	15/17	Magic arm-----	39
Gonbare -----	18/23	Photography accessories-----	40/46
Telephoto -----	24/25	OEM&ODM -----	47/48
Shaque Ball Head Quick Release Plate -----	26/27		



Tripod

W284+K36



W324+M44



Model	Material	Section	Weight	Maximum diameter of pipe	Smallest diameter of the pipe	Receiving Height	Full open height
W284C+K36	Carbon fiber	4	4.18lbs	1.1in	0.74in	18.89in	67.65in
W324+M44	Carbon fiber	4	4.54lbs	1.25in	0.9in	19.68in	73.22in

Tripod

BX255C+K30



BX285C+K36



Model	Material	Section	Weight	Maximum diameter of pipe	Smallest diameter of the pipe	Receiving Height	Full open height
BX255C+K30	Carbon fiber	5	3.08lbs	0.98in	0.47in	13.77in	59.84in
BX285C+K36	Carbon fiber	5	3.74lbs	1.1in	0.62in	14.56in	64.96in

Tripod

ST-364C



ST-424C



Model	Material	Section	Weight	Maximum diameter of pipe	Smallest diameter of the pipe	Receiving Height	Full open height
ST-364C	Carbon fiber	4	5.51lbs	1.41in	1.06in	21.25in	61.41in
ST-424C	Carbon fiber	4	5.68lbs	1.57in	1.18in	22.44in	61.41in

Mini Tripod

ST-3



ST-4



MS02



MS05



MS06



MS22



Model	Material	Section	Weight	Maximum diameter of pipe	Receiving Height	Full open height
ST-3	Aluminum alloy		1lbs		8.46in	4.17in
ST-4	Aluminum alloy		1.13lbs		8.46in	5.51in
MS02	Aluminum alloy	2	1.19lbs	0.98in	7.87in	11.02in
MS05	Aluminum alloy	1	0.51lbs		5.11in	7.08in
MS06	plastic		0.34lbs		7.08in	6.88in
MS22	Aluminum alloy		0.34lbs		6.29in	23.62in

Tripod

MS03



MS18



MS19



MS08



MS08A



MATE10



Model	Material	Section	Weight	Maximum diameter of pipe	Smallest diameter of the pipe	Receiving Height	Full open height
MS03	Aluminum alloy	5	1.45lbs	0.98in	0.51in	6.29in	19.68in
MS18	Aluminum alloy	5	1.3lbs	0.98in	0.47in	9.05in	20.47in
MS19	Aluminum alloy	5	1.47lbs	0.98in	0.47in	6.29in	20.47in
MS08	Aluminum alloy	5	1.6lbs	0.98in		6.29in	18.11in
MS08A	Aluminum alloy	5	1.78lbs	0.98in	0.47	7.08in	21.65in
MATE10	Aluminum alloy	5	1.02lbs	0.98in		5.9in	16.53in

Tripod

RC223C



MS12



MS12



MS12



Model	Material	Section	Weight	Maximum diameter of pipe	Receiving Height	Full open height
RC223C	carbon fiber	3	1.72lbs	0.86in	11.22in	16.33in
MS12	Aluminum alloy	5	2.33lbs	0.98in	11.81in	57.08in
MS26	Aluminum alloy	5	4.76lbs	0.98in	11.81in	57.08in
MS27	Aluminum alloy	5	2.64lbs	0.98in	12.99in	59.05in

Tripod

MS29A



MS29C



Model	Material	Section	Weight	Maximum diameter of pipe	Smallest diameter of the pipe	Receiving Height	Full open height
MS29A	Aluminum alloy	5	3.15lbs	0.98in	0.51in	14.17in	60.23in
MS29C	Carbon fiber	5	2.66lbs	0.98in	0.51in	14.17in	60.23in

Tripod

RC294C+K44



RC334C+K44



RC254+LH28



Model	Material	Section	Weight	Maximum diameter of pipe	Receiving Height	Full open height
RC294+K44	Carbon fiber	4	2.77lbs	1.14in	18.5in	40.6in
RC334+K44	Carbon fiber	4	3.52lbs	1.29in	19.88in	54.52in
RC256+LH28	Carbon fiber	4	2.51lbs	1.1in	20.66in	51.96in

Monopod

P335C



P336C



P365C



P366C



P405C



P406C



Model	Material	Section	Weight	Maximum diameter of pipe	Smallest diameter of the pipe	Receiving Height	Full open height
P335C	Carbon fiber	5	0.98lbs	1.29in	0.7in	18.5in	65.74in
P336C	Carbon fiber	6	0.99lbs	1.29in	0.59in	16.92in	65.35in
P365C	Carbon fiber	5	1.13lbs	1.41in	0.86in	18.5in	65.74in
P366C	Carbon fiber	6	1.13lbs	1.41in	0.7in	16.92in	65.74in
P405C	Carbon fiber	5	1.27lbs	1.57in	0.98in	18.3in	65.35in
P406C	Carbon fiber	6	1.29lbs	1.57in	0.86in	17.12in	65.74in

Monopod

P256



P256A



P264



P264B



Model	Material	Section	Weight	Maximum diameter of pipe	Smallest diameter of the pipe	Receiving Height	Full open height
P256	Aluminum alloy	6	0.5lbs	0.98in	0.39in	11.02in	48.03in
P256A	Aluminum alloy	6	0.51lbs	0.98in	0.39in	11.02in	48.03in
P264	Aluminum alloy	4	0.74lbs	1.02in	0.66in	18.5in	59.05in
P264B	Aluminum alloy	4	0.8lbs	1.02in	0.66in	18.5in	59.05in

Monopod

P285A



P285C



P306A



P306C



P315A



P315C



Model	Material	Section	Weight	Maximum diameter of pipe	Smallest diameter of the pipe	Receiving Height	Full open height
P285A	Aluminum alloy	5	0.97lbs	1.1in	0.62in	16.53in	61.02in
P285C	Carbon fiber	5	0.73lbs	1.1in	0.62in	16.53in	61.02in
P306A	Aluminum alloy	6	1.13lbs	1.22in	0.62in	15.35in	62.99in
P306C	Carbon fiber	6	0.84lbs	1.22in	0.62in	15.35in	62.99in
P315A	Aluminum alloy	5	1.1lbs	1.22in	0.74in	16.92in	62.99in
P315C	Carbon fiber	5	0.81lbs	1.22in	0.74in	16.92in	62.99in

Monopod



Model	Material	Section	Weight	Maximum diameter of pipe	Smallest diameter of the pipe	Receiving Height	Full open height
P308	Aluminum alloy	8	0.81lbs	1.18 in	0.39in	11.02in	61.81in
P308A	Aluminum alloy	8	0.92lbs	1.18in	0.39in	11.02in	62.99in
P308B	Aluminum alloy	8	0.94lbs	1.18in	0.39in	12.2in	62.99in
P308C	Aluminum alloy	8	0.76lbs	1.18in	0.39in	11.02in	61.81in
P308D	Aluminum alloy	8	0.77lbs	1.18in	0.39in	11.02in	61.81in

Extension rod series



Model	Material	Section	Weight	Maximum diameter of pipe	Smallest diameter of the pipe	Receiving Height	Full open height
P225	Aluminum alloy	5	0.58lbs	0.86 in	0.39in	15.15in	59.05in
P225C	Carbon fiber	5	0.42lbs	0.86in		15.35in	59.44in
P28	Carbon fiber	1	0.17lbs	1.1in			10.43in
P36	Carbon fiber	1	0.28lbs	1.41in			14.17in
P252A	Aluminum alloy	2	0.26lbs	0.98in	0.86in	8.85in	15.35in
P282A	Aluminum alloy	2	0.31lbs	1.1in	0.98in	8.85in	15.35in

Extension rod series

P275A



P204A



P255A



P204B



P204C



Model	Material	Section	Weight	Maximum diameter of pipe	Receiving Height	Full open height
P275A	Aluminum alloy	5	0.34lbs	1.06in	7.48in	28.74in
P204A	Aluminum alloy	4	0.32lbs	0.78in	7.28in	19.29in
P255A	Aluminum alloy	5	0.37lbs	0.98in	10.82in	14.17in
P204B	Aluminum alloy	4	0.38lbs	0.78in	11.81in	38.81in
P204C	Aluminum alloy	4	0.28lbs	0.78in	11.81in	36.81in

Carbon fiber extension rod series



Model	Material	Section	Weight	Maximum diameter of pipe	Receiving Height	Full open height
YT-03	Carbon fiber	2	0.98lbs	1.27/1.14in	24.01in	4.44in
P332LC	Carbon fiber	2	0.6lbs	1.27/1.14in	24.01in	4.44in
P222C	Carbon fiber	2	0.19lbs	0.86/0.74in	9.21in	15.47in
P262C	Carbon fiber	2	0.24lbs	1.02/0.86in	9.25in	15.59in
P292C	Carbon fiber	2	0.27lbs	1.14/1.02in	9.29in	15.59in
P332C	Carbon fiber	2	0.31lbs	1.29/1.14in	9.33in	15.59in

Telephoto lens bracket four-piece series

120*38 Four-piece suit



150*38 Four-piece suit



200*38 Four-piece suit



250*38 Four-piece suit



300*38 Four-piece suit



400*38 Four-piece suit



Telephoto lens bracket column series

150*38 Columns



5.9in(150mm)

200*38 Columns



7.87in(200mm)

250*38 Columns



9.84in(250mm)

300*38 Columns



11.81in(300mm)

400*38 Columns



15.74in(400mm)

Telephoto lens bracket column with clip seat series

150*38 Column with clamp seat



5.9in(150mm)

200*38 Column with clamp seat



7.87in(200mm)

250*38 Column with clamp seat



9.84in(250mm)

300*38 Column with clamp seat



11.81in(300mm)

400*38 Column with clamp seat



15.74in(400mm)

Telephoto lens bracket four-piece series

120*50 Four-piece suit



150*50 Four-piece suit



200*50 Four-piece suit



250*50 Four-piece suit



300*50 Four-piece suit



400*50 Four-piece suit



Telephoto lens bracket column series

150*50 Columns



200*50 Columns



250*50 Columns



300*50 Columns



400*50 Columns



Telephoto lens bracket column with clip seat series

150*50 Column with clamp seat



200*50 Column with clamp seat



250*50 Column with clamp seat



300*50 Column with clamp seat



400*50 Column with clamp seat



Telephoto lens single board series

120*38 Long focus veneer



150*38 Long focus veneer



200*38 Long focus veneer



250*38 Long focus veneer



300*38 Long focus veneer



400*38 Long focus veneer



Telephoto lens single board series

120*50 Long focus veneer



150*50 Long focus veneer



200*50 Long focus veneer



250*50 Long focus veneer



300*50 Long focus veneer



400*50 Long focus veneer

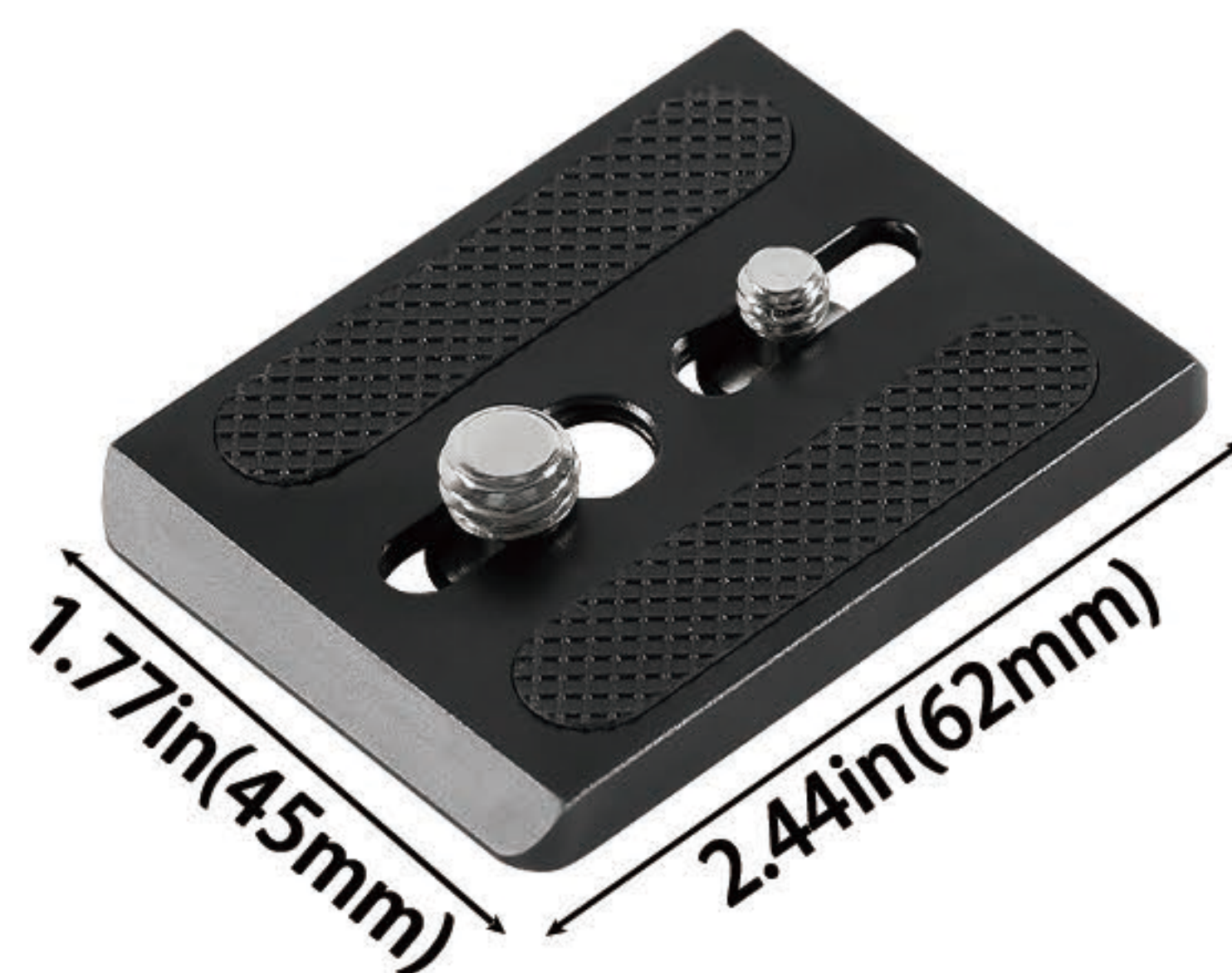


Shaque telephoto lens quick release plate series

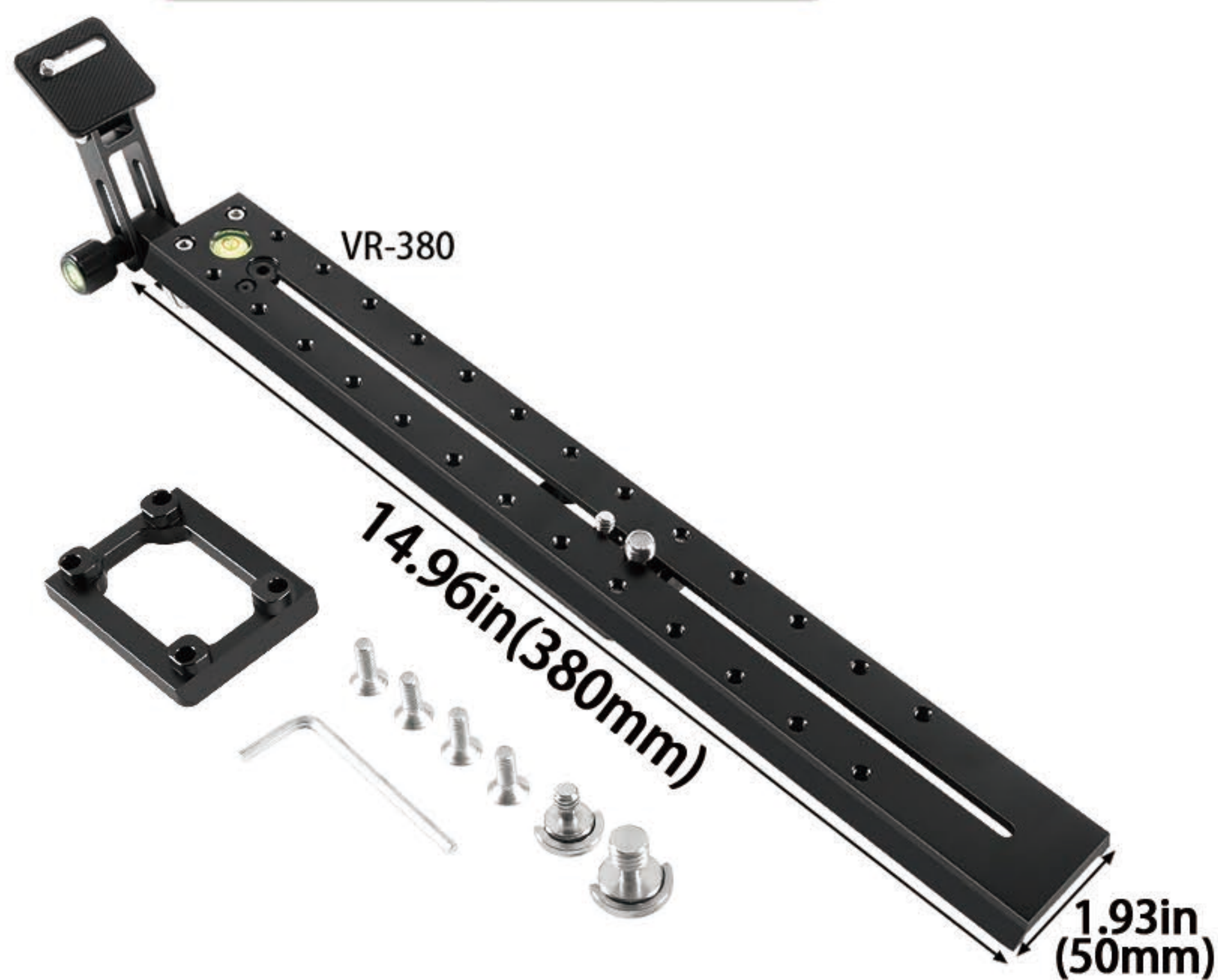
S220 PL 220mm*38mm



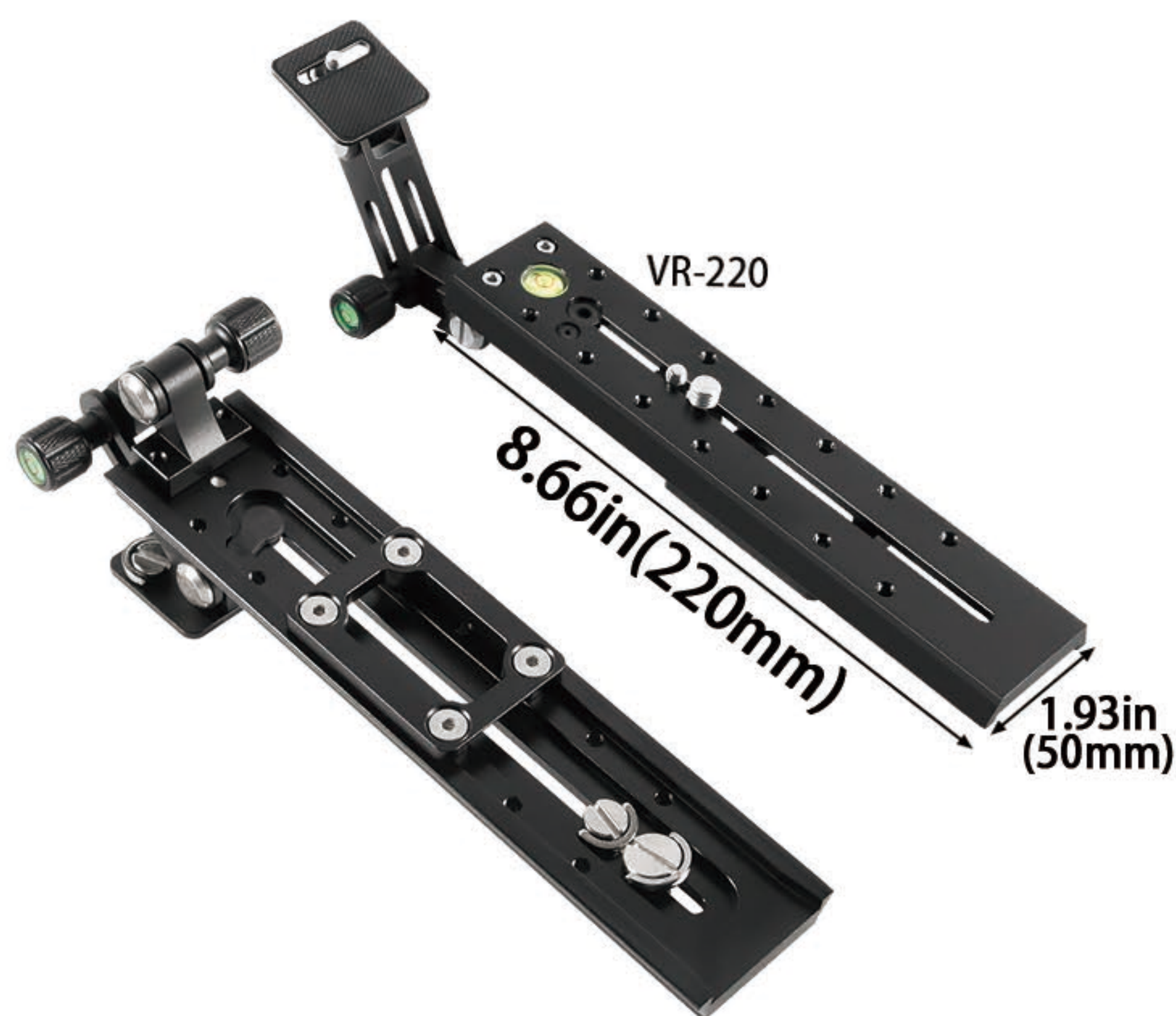
S60PL 62mm*45mm



VR380 380mm*50mm



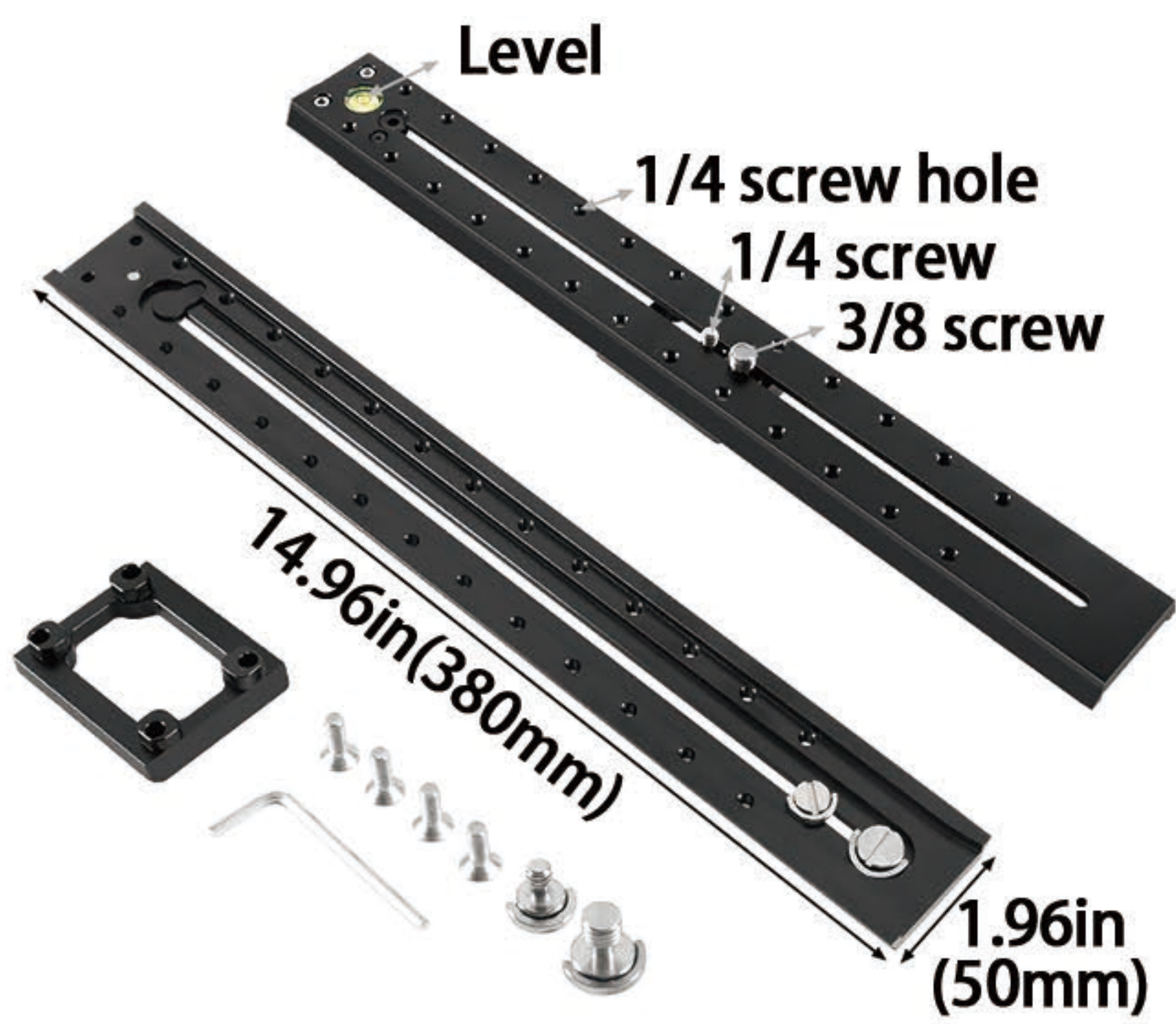
VR220 220mm*50mm





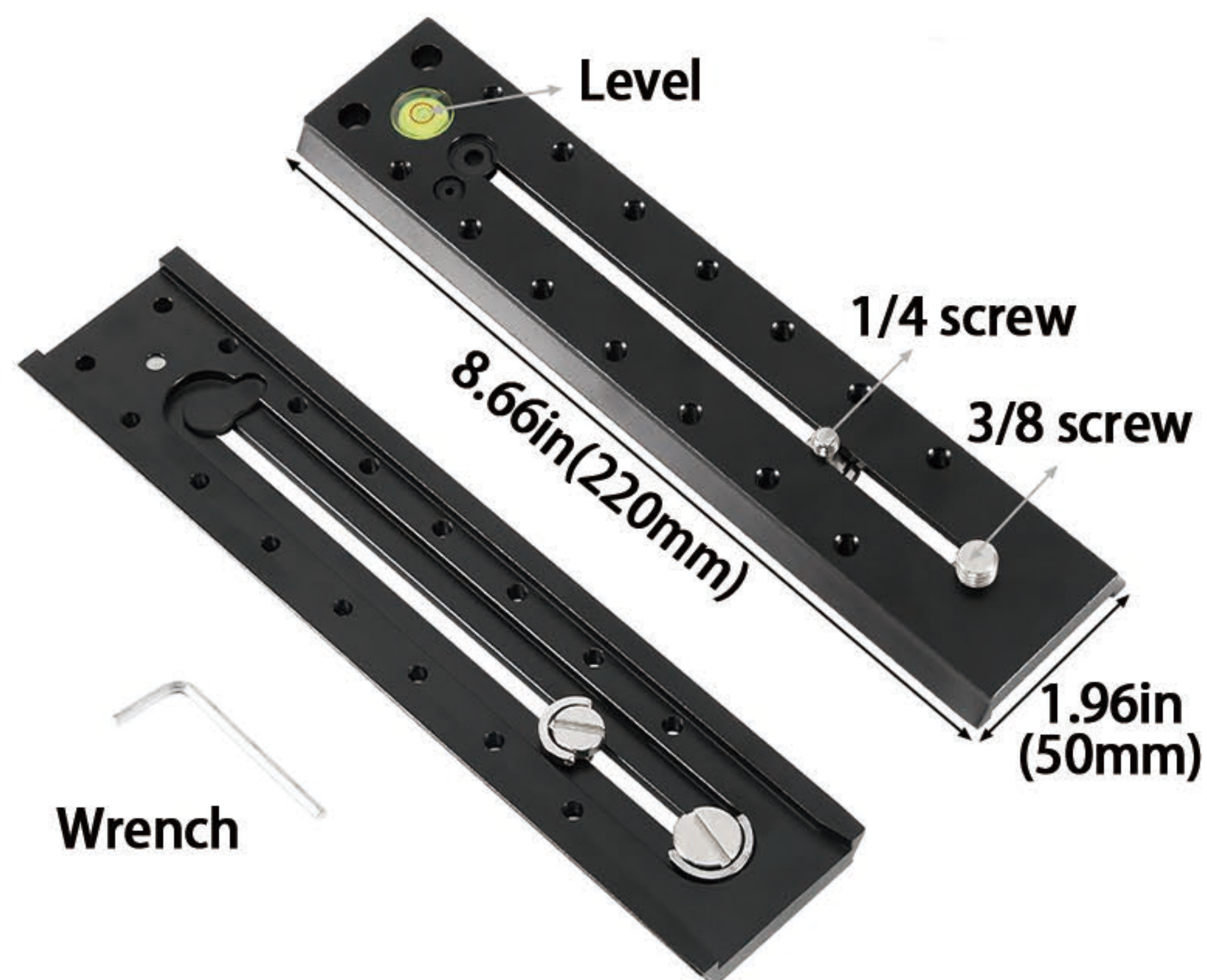
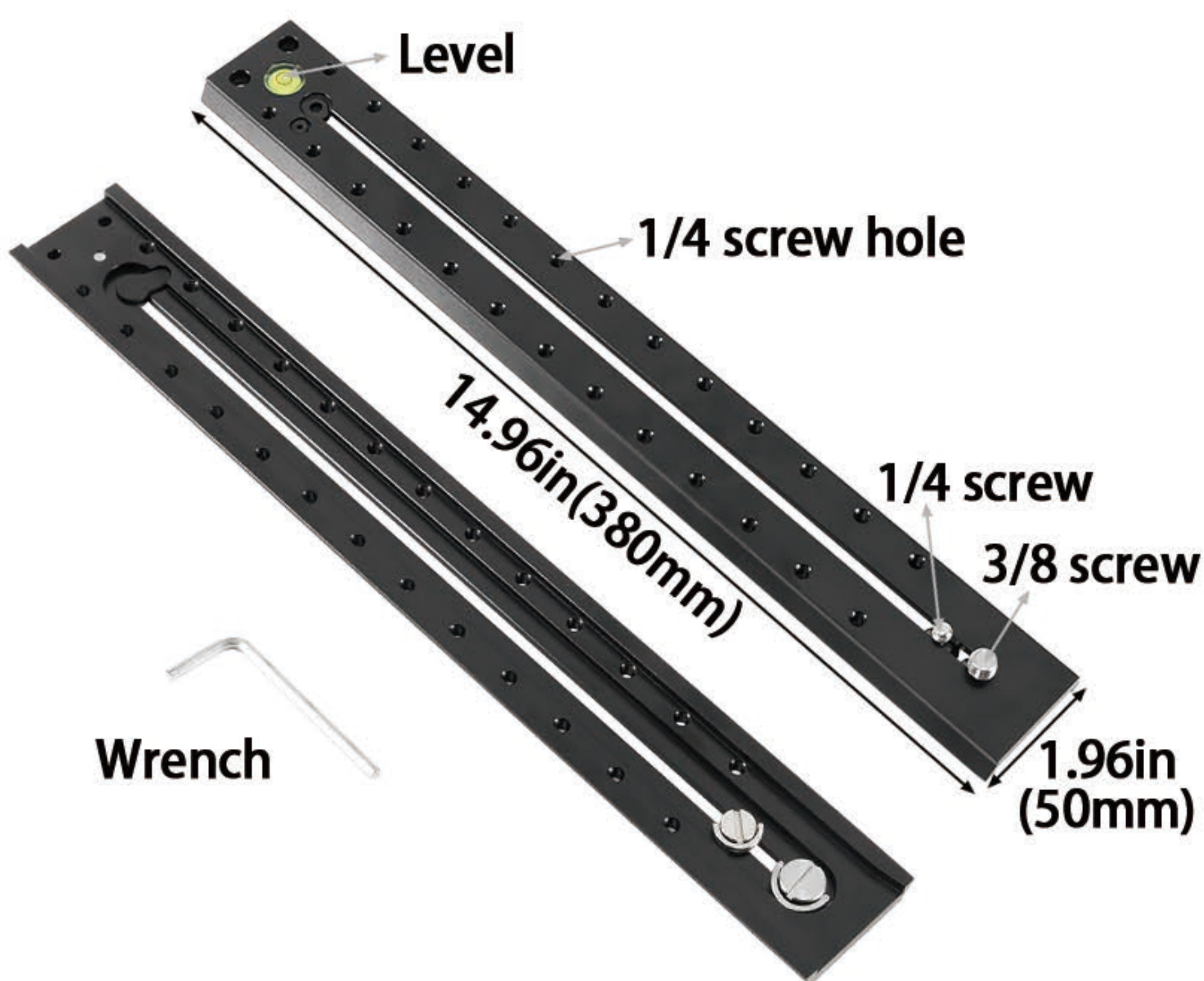
VR-380L 380mm*50mm

VR-220L 220mm*50mm



B380-50 380mm*50mm

B220-50 220mm*50mm



Ball Head

K19



K25



HK25



K26



K26A



H26



V30



S30



S30B



K36



H36



QB-36



Ball Head

720°



M44



NB44



NB52



K18



K18A



QB-30



QB-30A



QH-32



QH-28



GM36



GM44



GM54



LH-50



Ball Head

LH-30



LH-44



LH-55



LH-28



LH-32



T1



G44



LP-64



DY-60N



LEP-02



VH-35



XB-01



Ball Head

PH-720A



GH-720A



GH-3



GH-4



S36



VH10



VH105



VH125



DT-02R



DT-02S



DT-03R



DT-03S



L-shaped vertical clapper

L130-35



L130-50



L130-50A



L130-50B



L130-50C



L130H



L130A



L130B



L130C



A72



A73



A74



L-shaped vertical clapper

MPU-105L



CF-01



R5/R6



Z7



NF-200



A7C



A7C-T



X-S10



A7M3-FT



D800



5D3



5D4



PU Quick Release Plate

PU40A



PU50A



PU60A



PU70A



PU100A



PU120A



PU150A



PU50B



PU60B



PU70B



PU100B



PU120B





PU150B



PU200B



PU200A



PU300A



Quick Release Clamp

QR-40



QR-50



QR-60



QR-50A



QR-50B



QR-120



QJ-01



QJ-05



QJ-06



QJ-07



QJ-08



QR-02



Quick Release Clamp

QR-50N



QR-70N



QR-90N



QR-110N



LEP-02



P200



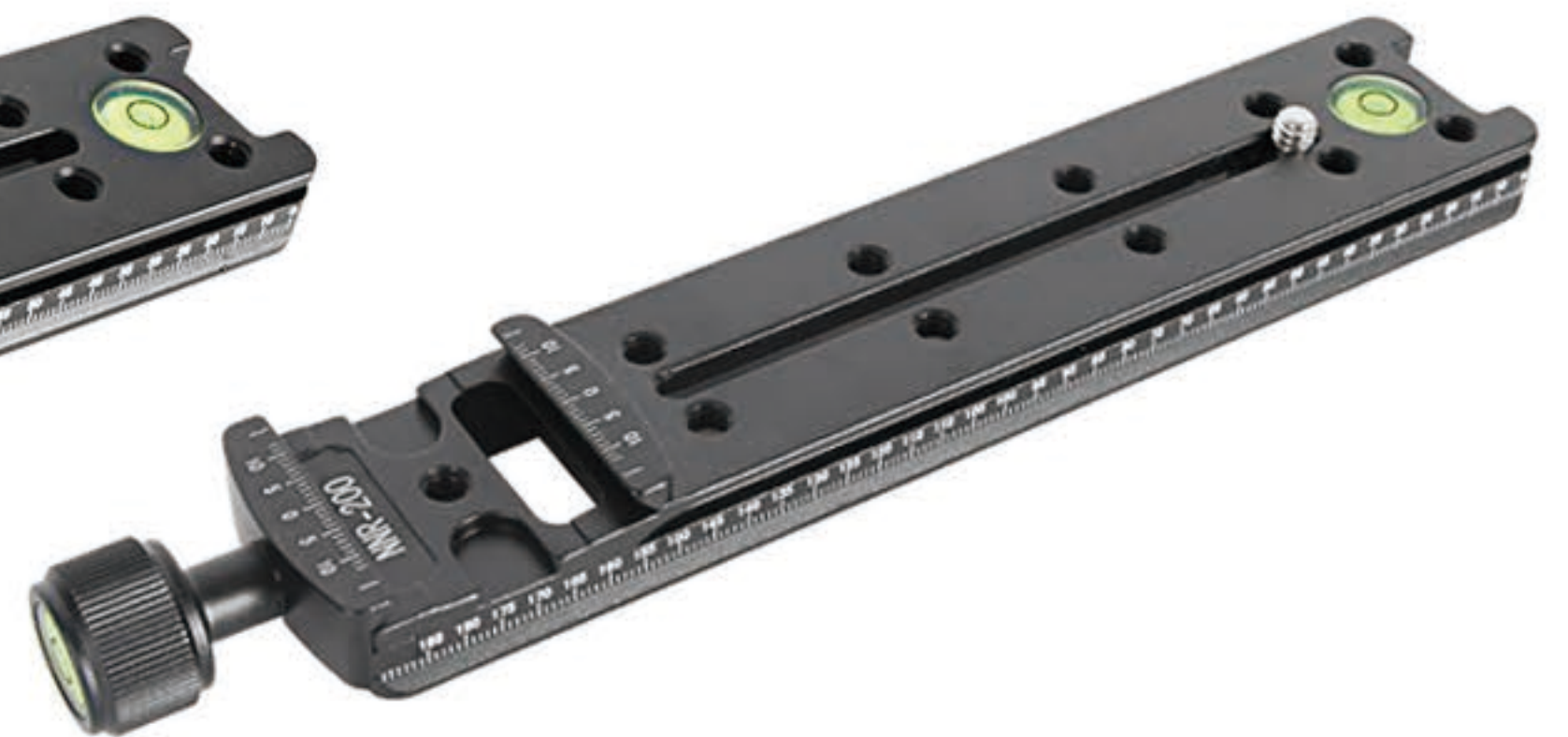
NNR-100



NNR-150



NNR-200



200PL-14S-A



200PL-14S-B



200PL-S



Quick Release Plate

690A



690B



690C



690D



690S



691



880



998



200PL-14A



TY-50



CX-10



501-120



Magic arm series

TM-2



TM-3



TM-4



Other photography accessories

LP-64



Cell Phone Clip



Flat clip



Live phone clip



Octopus hand bracket



Plank bracket



Medium phone holder



Cell phone stand



L200



Instant messaging hook



3/8 Hook



Small wire clip



Wire clamp



Changeover



G-02



Other photography accessories

**Monopod
Fanny Pack**



Camera Bag



Tripod bag



Tripod cable bag



WN-30



WN-38



WN-40



WN-60



Other photography accessories

Air Blowing



Increase the weight



LS111



LS112



FT-D



FT-01



FT-02-A



FT-10



LS056



LS057



LS006



LS036



Other photography accessories

LS-082



LS-083



LS-100



LS-101



LS-102



LS-028



LS-035



LS-010



LS-011



LS-091



LS-092



LS-093



LS-044



LS-086



LS-096

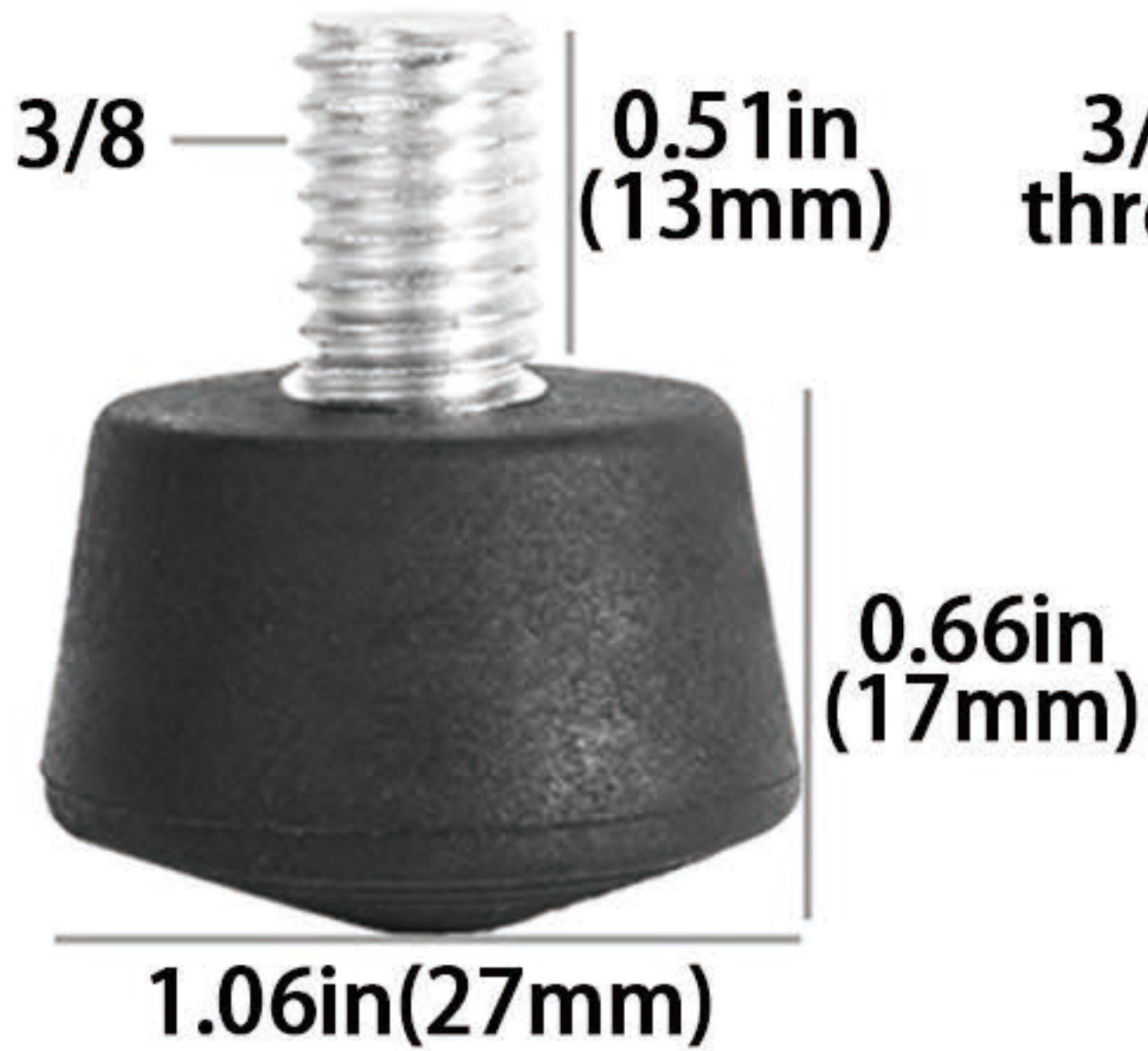


LS-009



Foot pad series

3/8 Large footpads



3/8 Rubber Floor Mat



3/8 small footpads



M8 Large footpads



M8 Small footpads



1/4 Footpads



1/4 Mini footpads



M8 Mini footpads



3/8 Mini footpads



Foot pad series/Monopod accessories

GFS34 3/8Footpads



GSF37 3/8Footpads



GSF50 3/8Footpads



GSF68 3/8Footpads



Camera rotates the foot pad



Yunteng Small footpads



Applicable Yunteng
668/690/590/888
6008/60AV/691/800

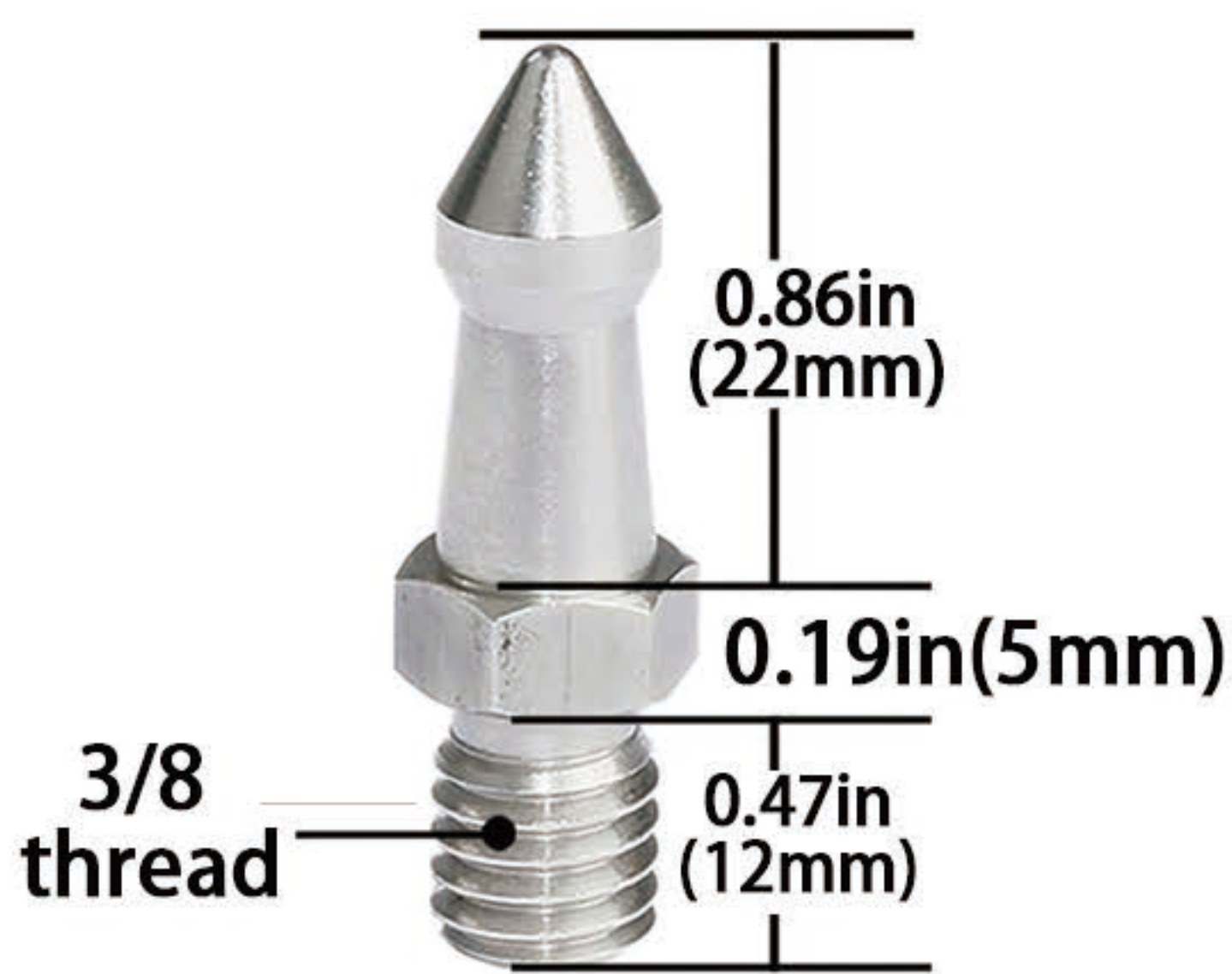
Yunteng Large footpads



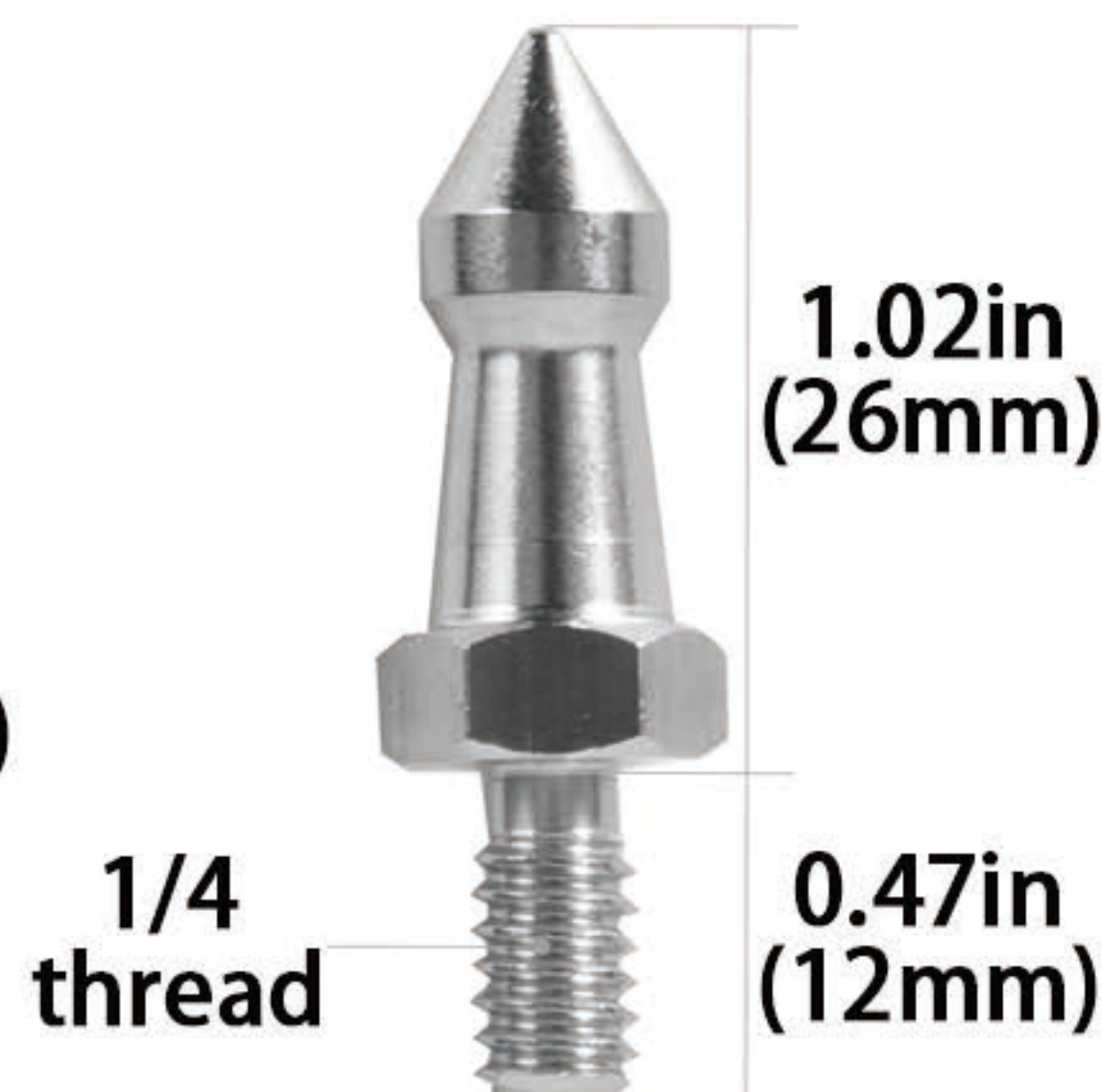
Applicable Yunteng
880/870

Foot nail series

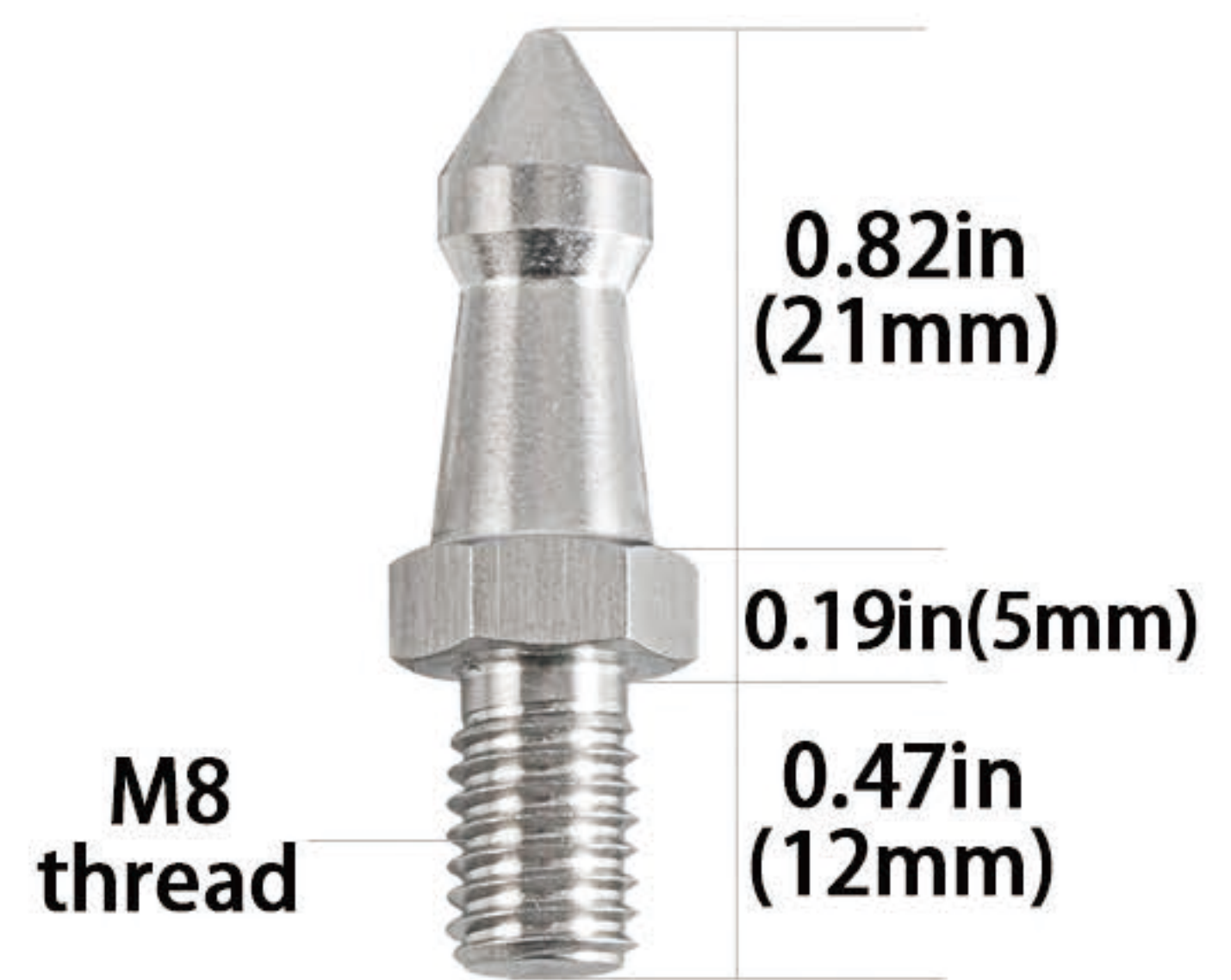
3/8 Foot Nail



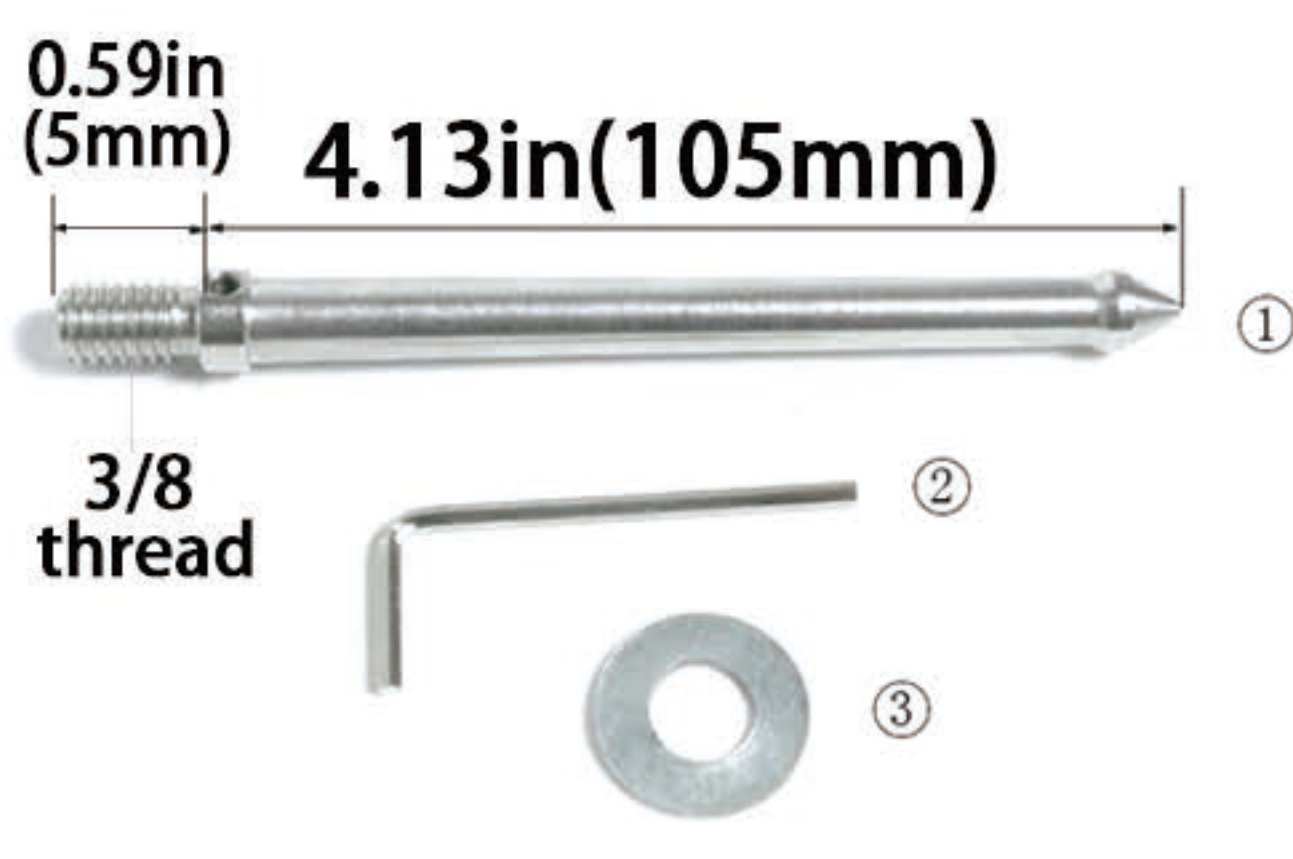
1/4 Foot Nail



M8 Foot Nail

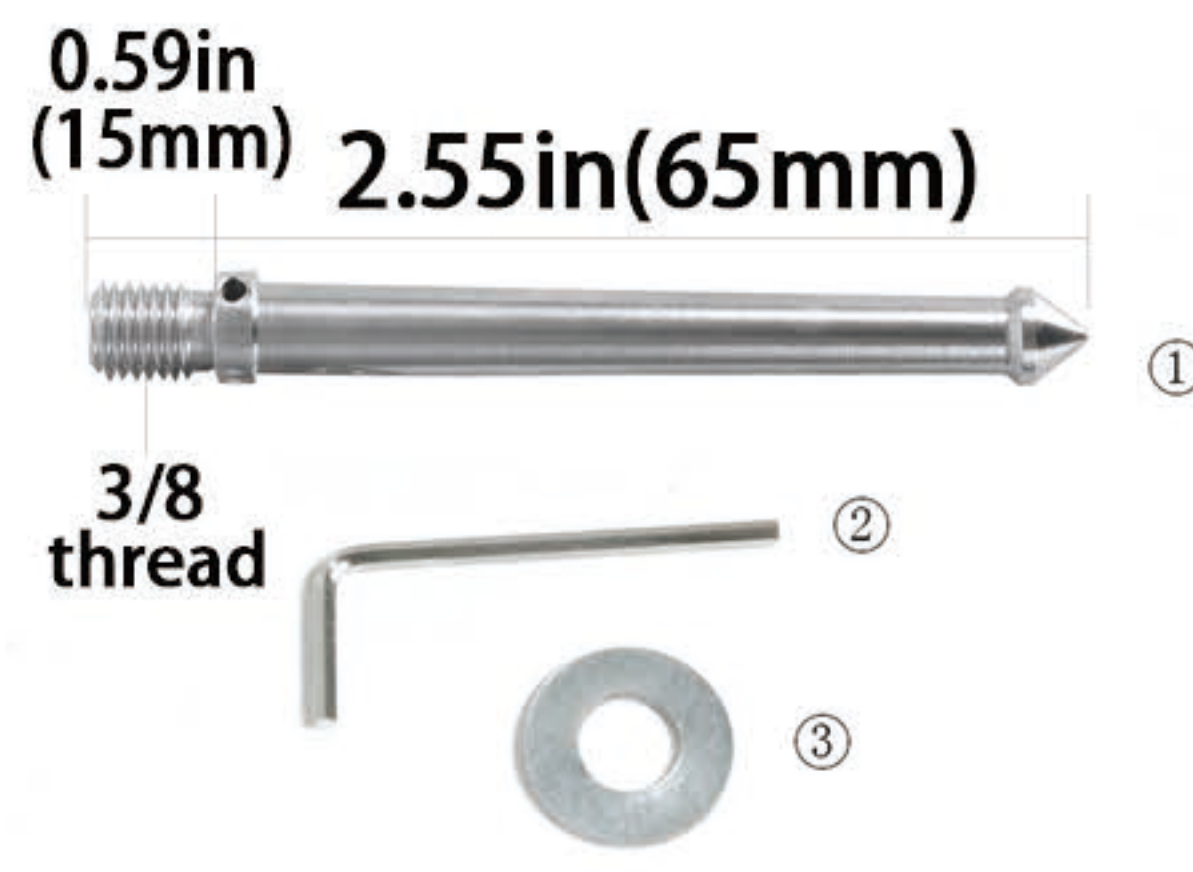


3/8 Lengthened studs (120mm)



- ① 4.72in (120mm) long tripod foot nail
- ② 2.5 wrench
- ③ gasket

3/8 Lengthened studs (80mm)



- ① 3.14in (80mm) long tripod foot nail
- ② 2.5 wrench
- ③ gasket

1/4 Lengthened studs (80mm)



- ① 3.14in (80mm) long tripod foot nail
- ② 2.5 wrench
- ③ gasket

Undertake various customized processing

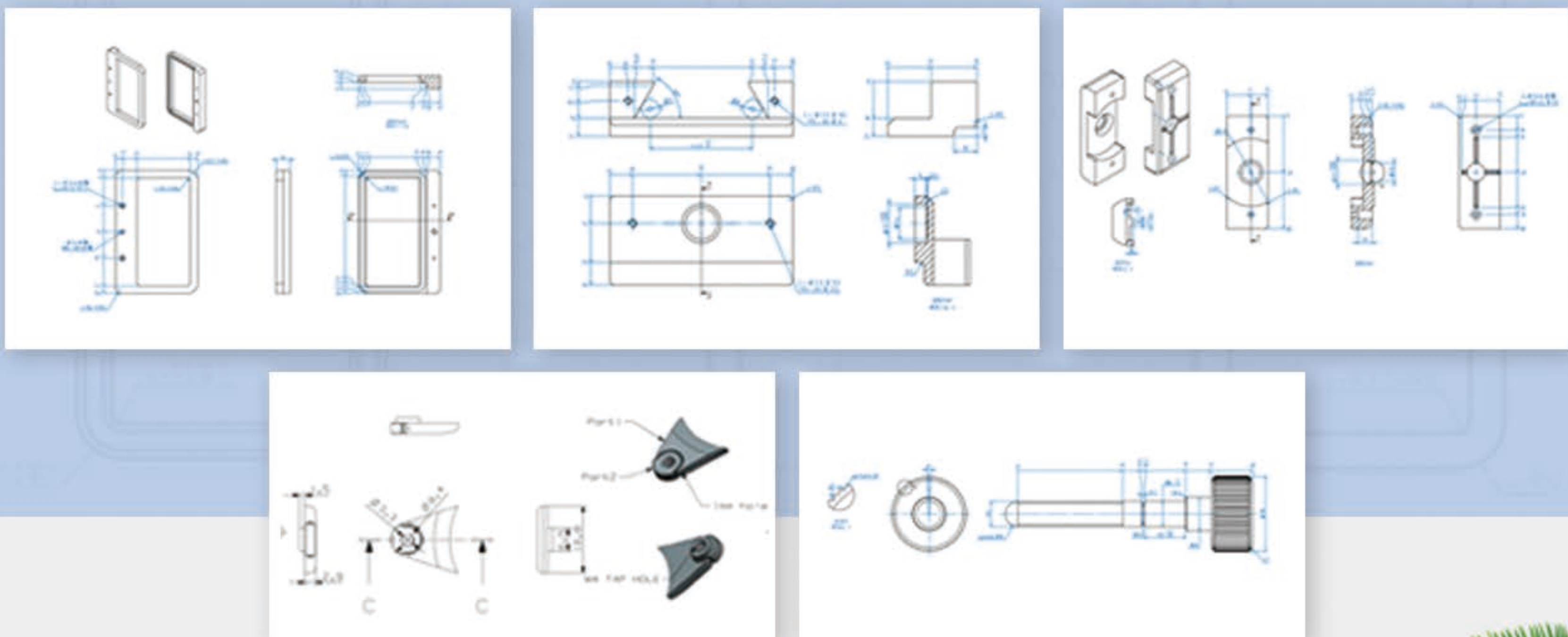
Customized connection hotline: 134-1167-1284

OEM&ODM

- OEM production
- Low order OEM customization
- ODM design proofing
- Come drawing to process processing

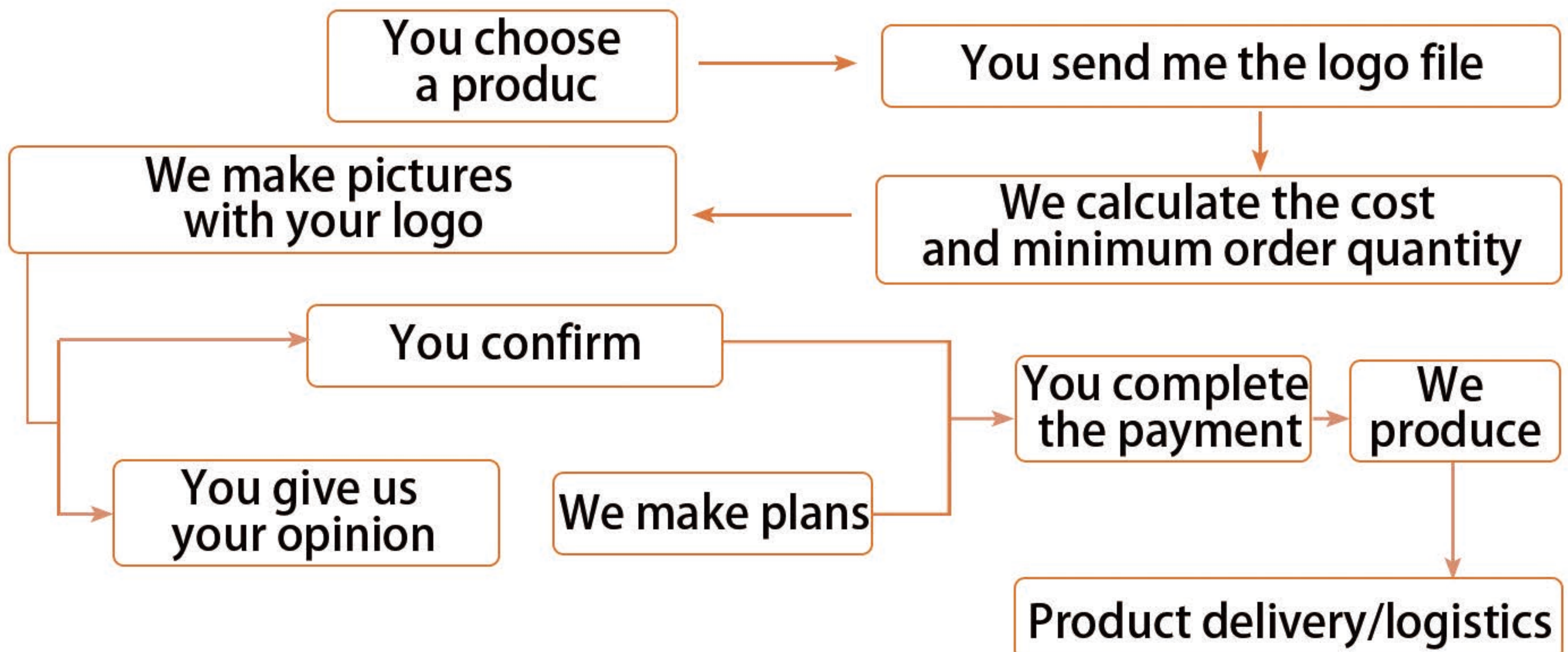


We can customize according to your sample or drawings

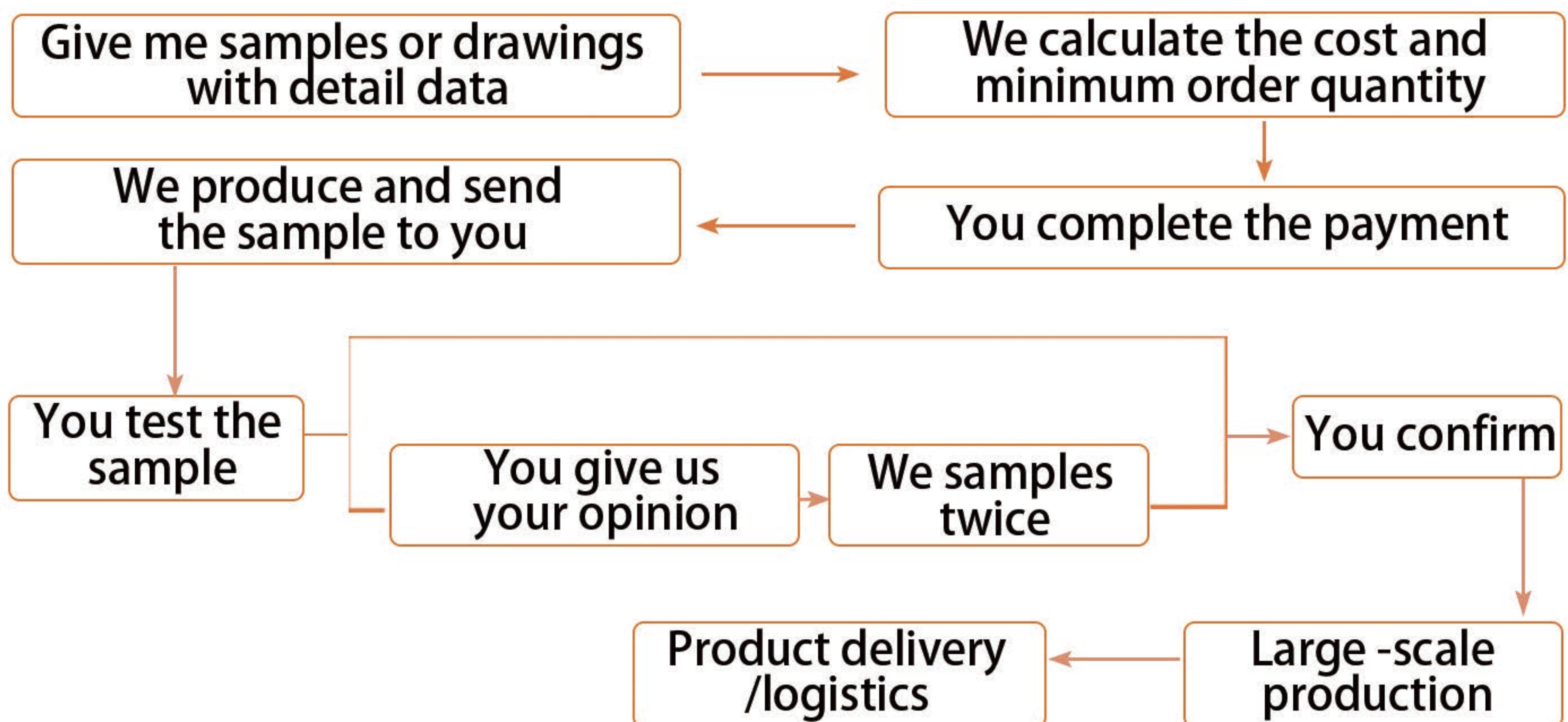


Customization Process

OEM customize

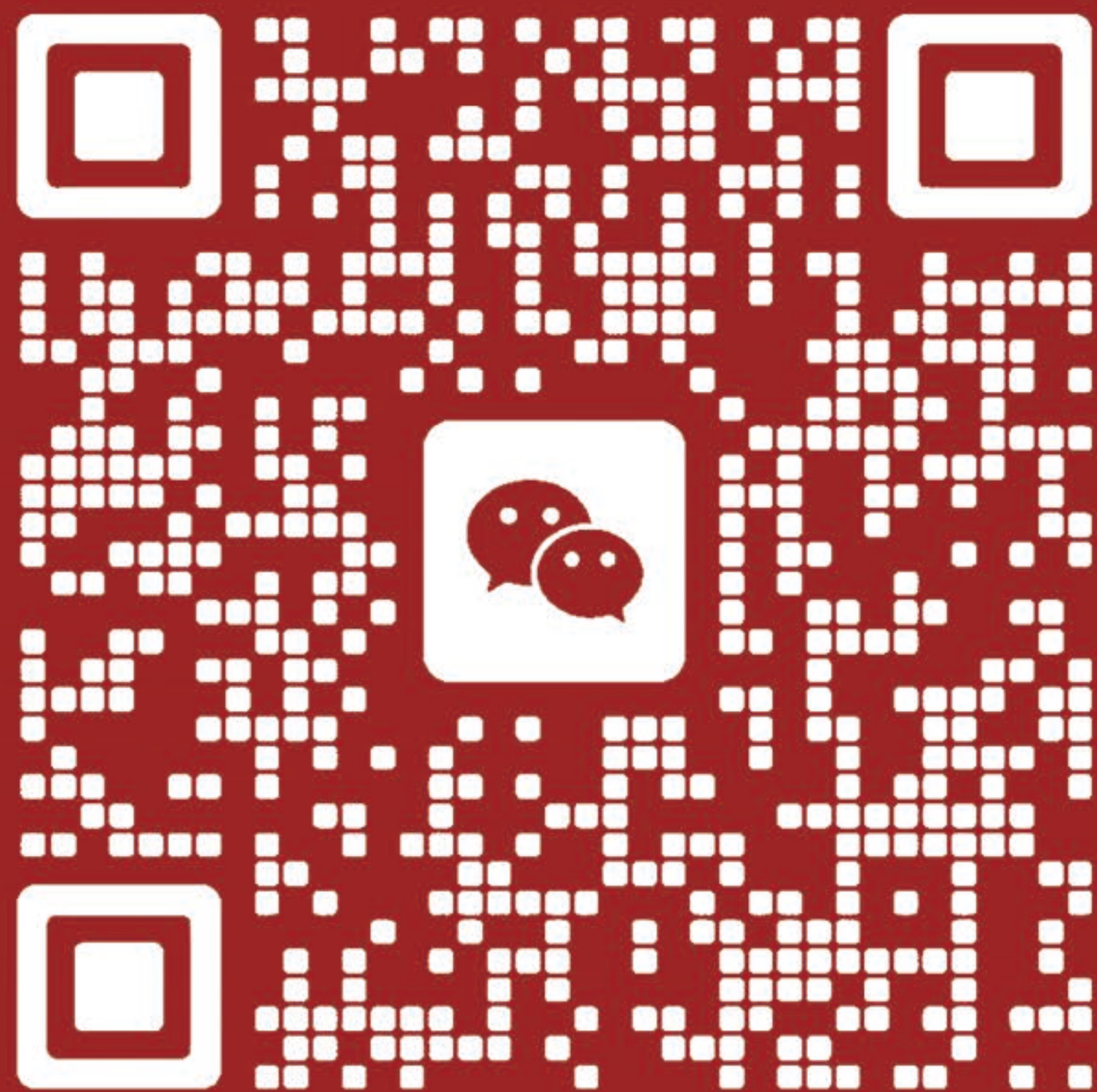


ODM manufacturing processes



ZHONGSHAN BAORUI PHOTOGRAPHIC EQUIPMENT CO., LTD.

Miss Helena



WeChat scan code

Miss Helena



WhatsApp scan code

company website:

<https://prorui.en.alibaba.com/?spm=a2700.7756200.0.0.164271d2AN2khS>

<https://bexin.aliexpress.com/store/2210114>

<https://www.aliexpress.com/store/5372325>

Company email: 2235531450@qq.com bexin5@prorui.cn

Address: 5th Floor, Building 4, No. 3, Longtang Heng Street, Third Industrial Zone,
Tanzhou Town, Zhongshan City, Guangdong Province