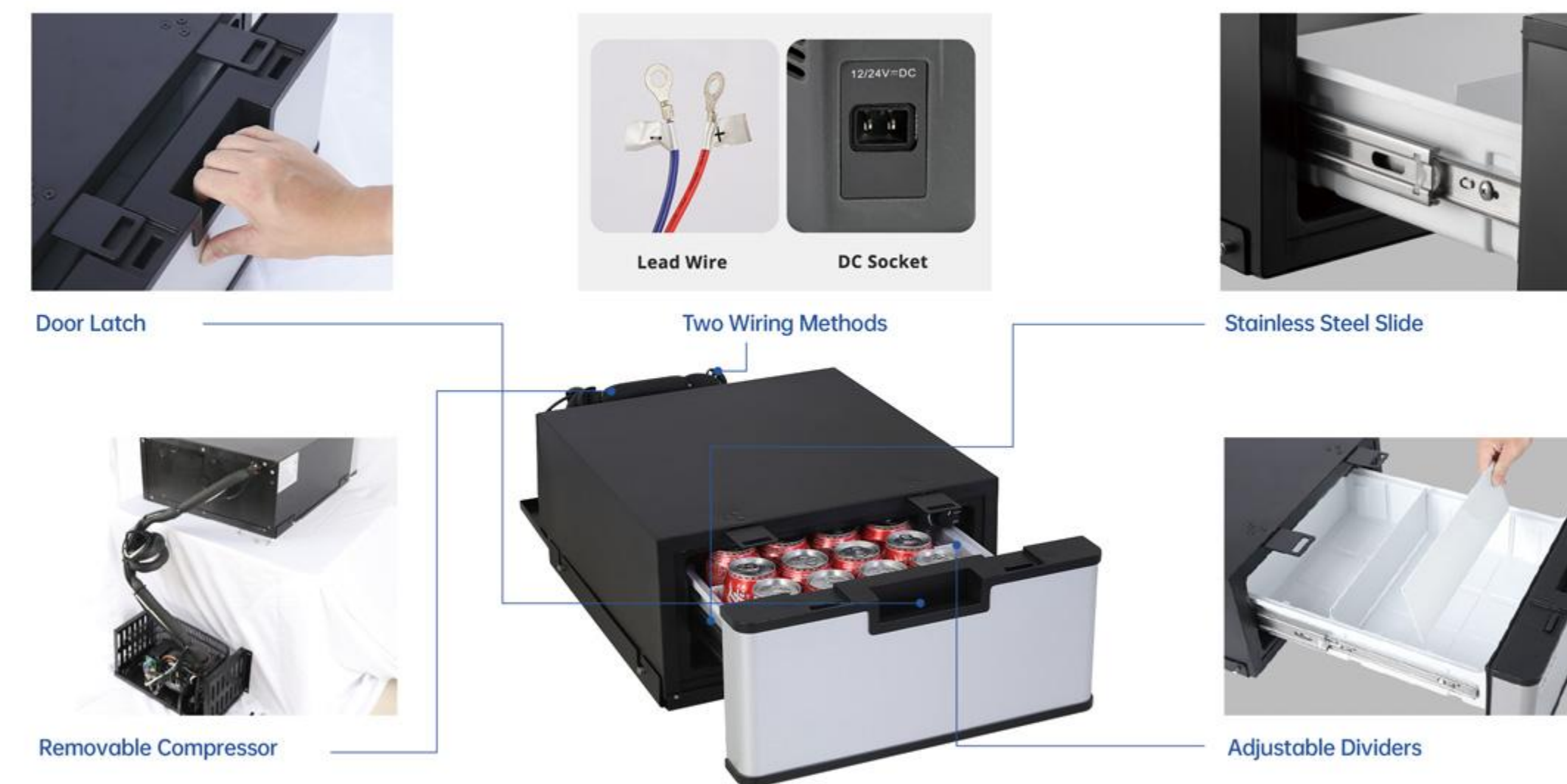
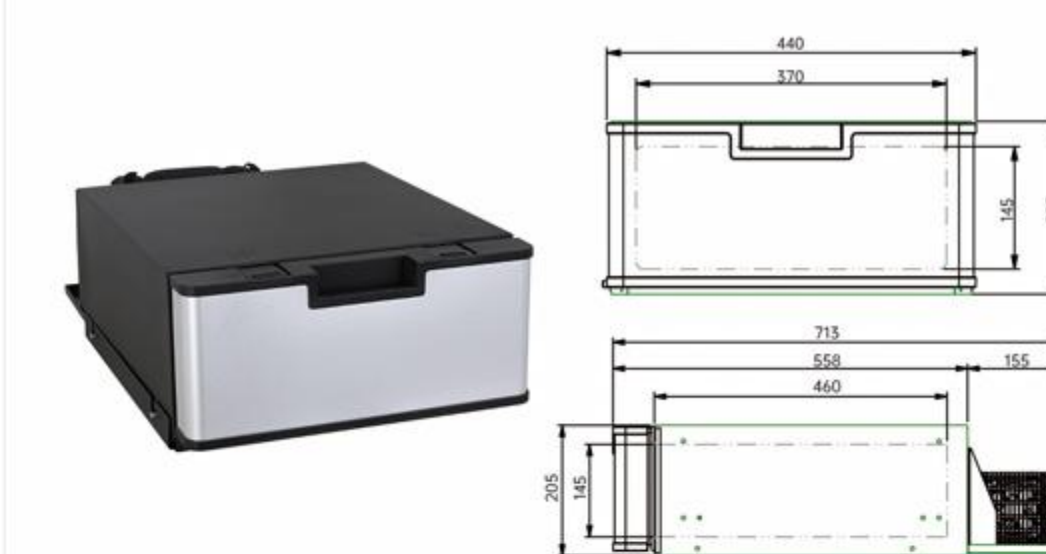




## Product Parameter



Model No. **DC-23DR**



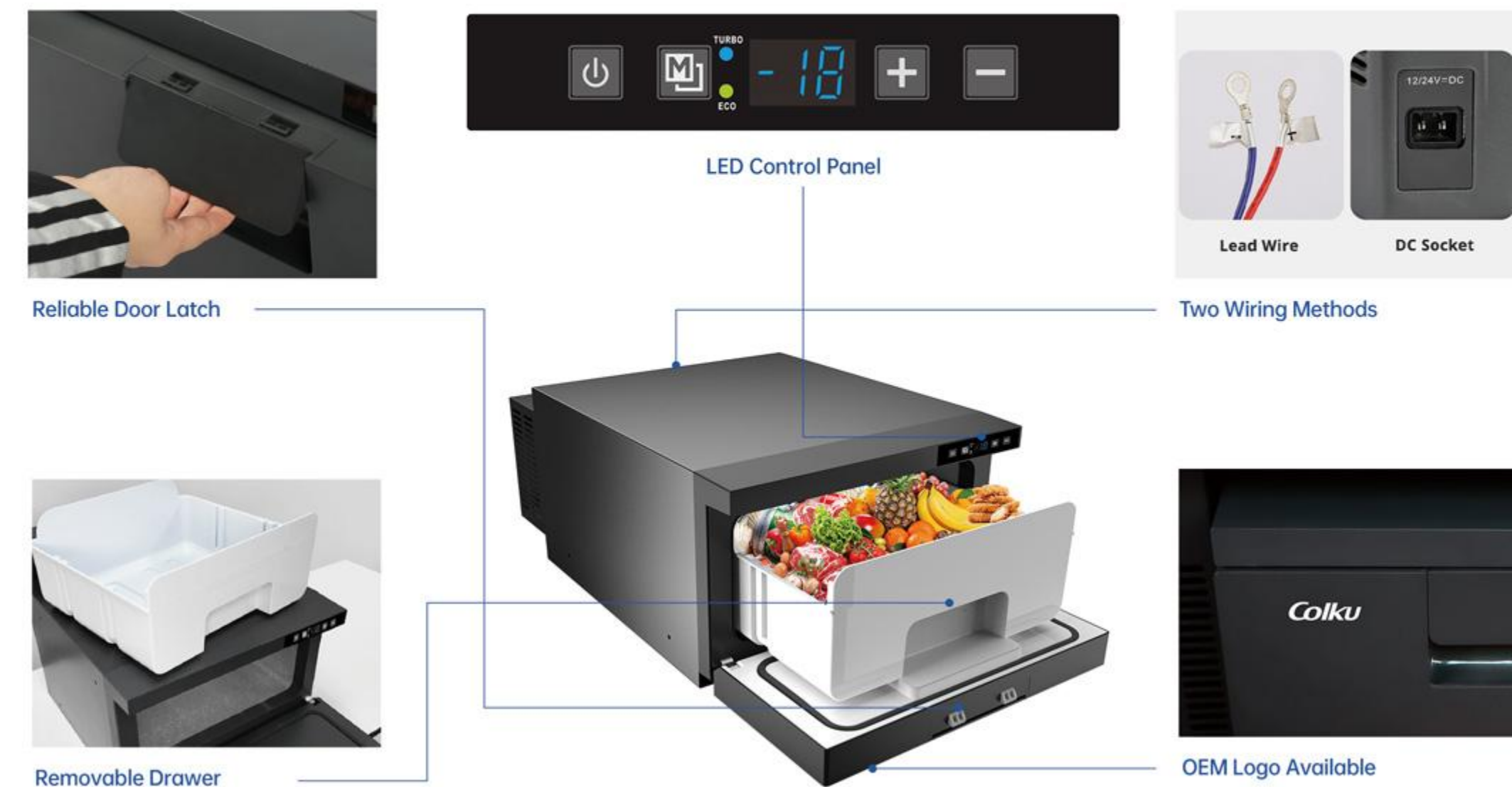
Capacity	23L
Temperature range	-10°C~10°C
Input voltage	DC 12V/24V
Input power	DC 40W
Isolation	C-pentane
Refrigerant	R134a/R600a
Product size	L715mm*W440mm*H215mm
Package size	L770mm*W515mm*H280mm
Weight	16kg/net,21kg/gross
Loading QTY	256PCS/20GP,552PCS/40GP,612PCS/40HQ

Model No. **DC-40DR**

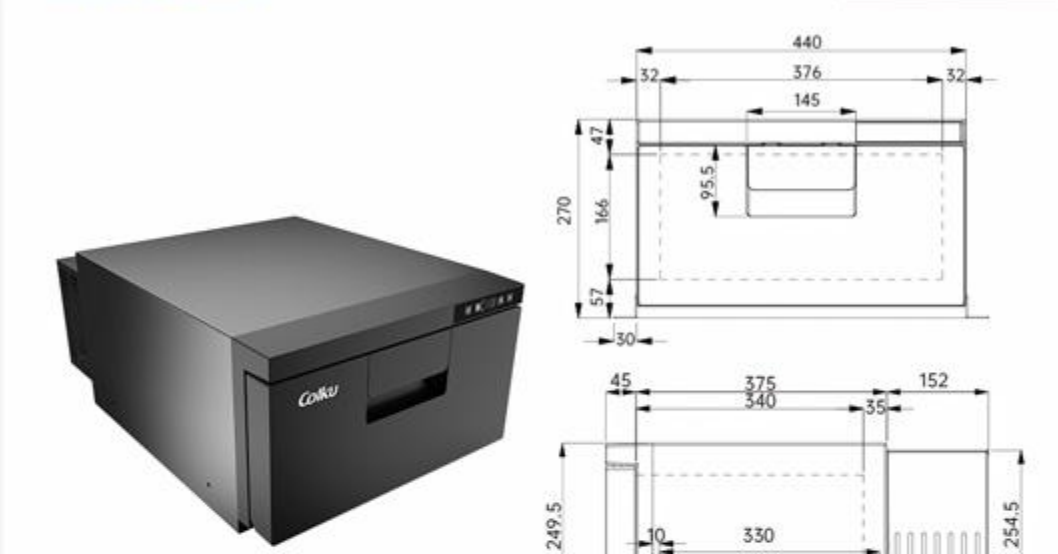


Capacity	40L
Temperature range	-18°C~10°C
Input voltage	DC 12V/24V
Input power	DC 40W
Isolation	C-pentane
Refrigerant	R134a/R600a
Produce size	L836mm*W590mm*H300mm
Package size	L890mm*W665mm*H390mm
Weight	29kg/net,36kg/gross
Loading QTY	120PCS/20GP,246PCS/40GP,308PCS/40HQ

## Product Parameter

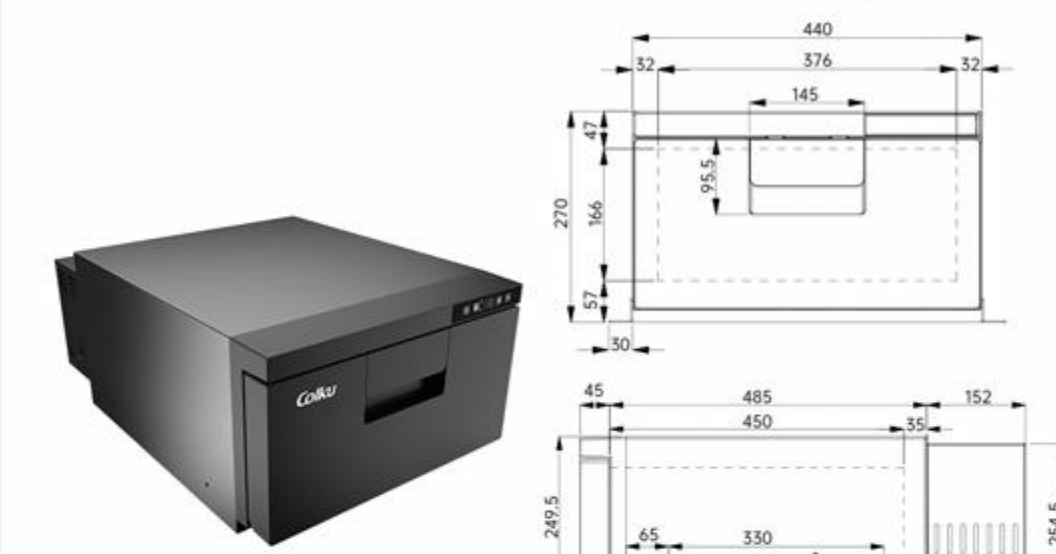


Model No. **DC21DRG**



Capacity	21L
Temperature range	-18°C~10°C
Input voltage	DC 12V/24V
Input power	DC 55W
Isolation	C-pentane
Refrigerant	R134a/R600a
Product size	L572mm*W440mm*H270mm
Package size	L625mm*W495mm*H325mm
Weight	13kg/net,18kg/gross
Loading QTY	280PCS/20GP,588PCS/40GP,672PCS/40HQ

Model No. **DC28DRG**

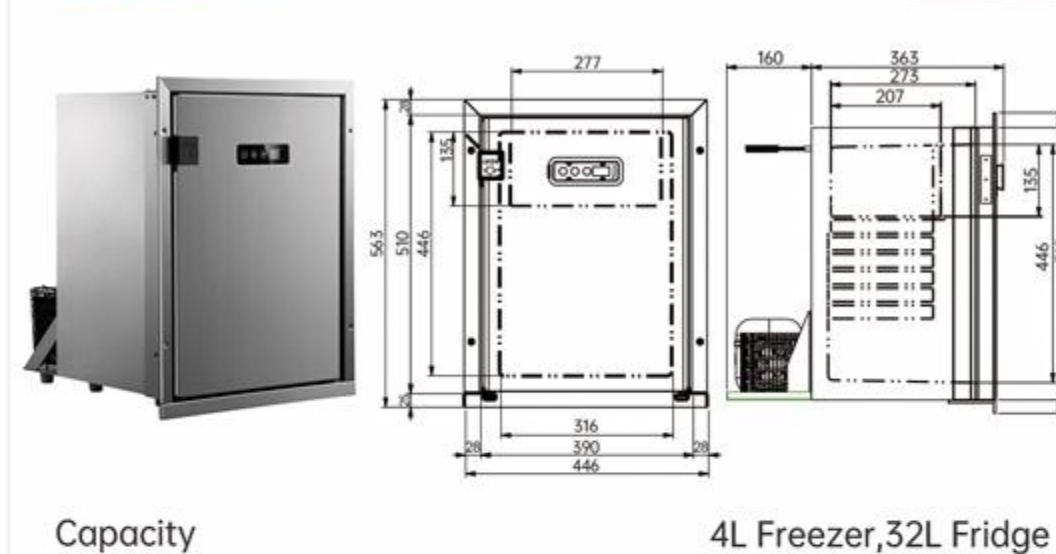


Capacity	28L
Temperature range	-18°C~10°C
Input voltage	DC 12V/24V
Input power	DC 55W
Isolation	C-pentane
Refrigerant	R134a/R600a
Product size	L682mm*W440mm*H270mm
Package size	L735mm*W495mm*H325mm
Weight	13.5kg/net,18.5kg/gross
Loading QTY	231PCS/20GP,497PCS/40GP,568PCS/40HQ

## Product Parameter

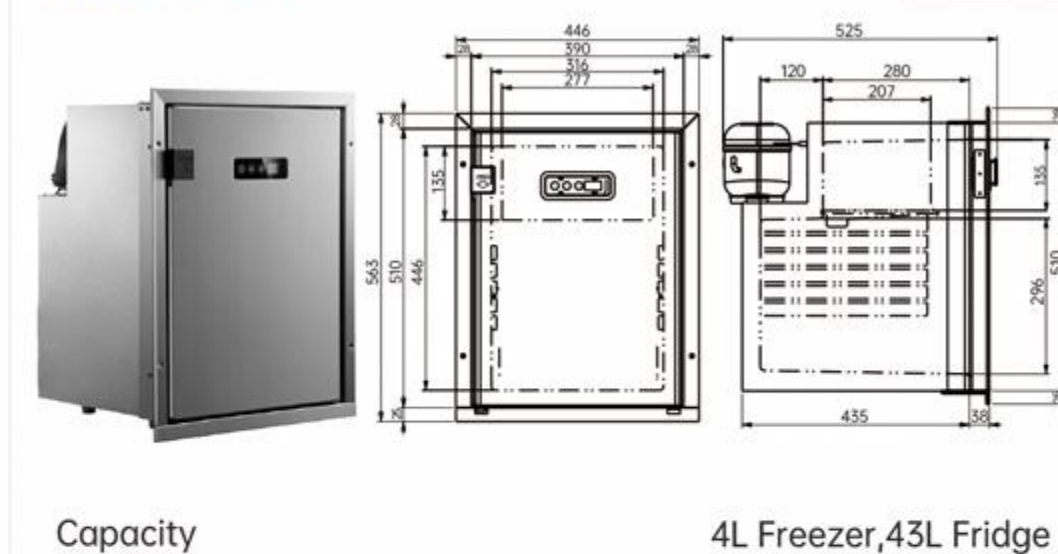


Model No. **DC-40**



Capacity	4L Freezer,32L Fridge
Temperature range	-12°C Freezer, 0°C~10°C Fridge
Input voltage	DC 12V/24V
Input power	DC 45W
Isolation	C-pentane
Refrigerant	R134a/R600a
Product size	L523mm*W446mm*H563mm (with mounting frame)
Product size	L523mm*W381mm*H523mm (without mounting frame)
Package size	L595mm*W520mm*H630mm
Weight	15kg/net,18kg/gross
Loading QTY	126PCS/20GP,255PCS/40GP,340PCS/40HQ

Model No. **DC-50**



Capacity	4L Freezer,43L Fridge
Temperature range	-12°C Freezer, 0°C~10°C Fridge
Input voltage	DC 12V/24V
Input power	DC 45W
Isolation	C-pentane
Refrigerant	R134a/R600a
Product size	L525mm*W446mm*H563mm (with mounting frame)
Product size	L525mm*W381mm*H523mm (without mounting frame)
Package size	L595mm*W520mm*H630mm
Weight	16kg/net,19kg/gross
Loading QTY	126PCS/20GP,255PCS/40GP,340PCS/40HQ

## APP Smart Control



- Wireless Control**  
Stable connection within a 10-meter range, allowing you to adjust temperature conveniently via the App.
- °C/°F Dual Display Switching**  
Switch freely between °C and °F anytime for flexible temperature control.

## Customization Solutions

01. Logo Customization



02. Safety Packaging



## Packing List

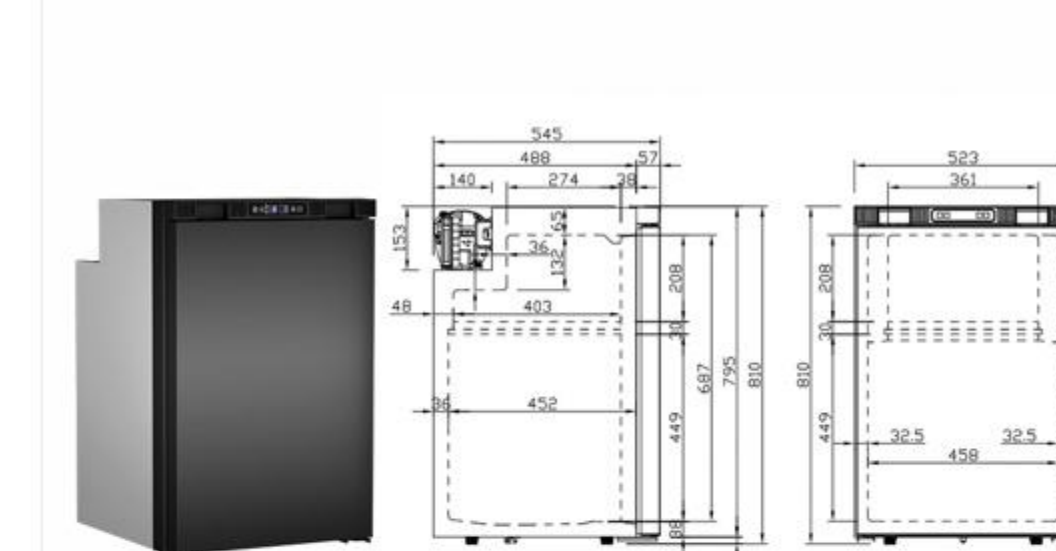
Compressor Refrigerator*1	Screw Cover*4	M4*20mm Installation Screws*4	Drainage Pipe*1
Freezer Partition Shelf Fix Gasket*2 <small>Not available on DCS150DA,DCS150DA</small>	Refrigerator Shelves	User Manual*1	

Accessories vary by model. Please refer to the actual product.

## Product Parameter

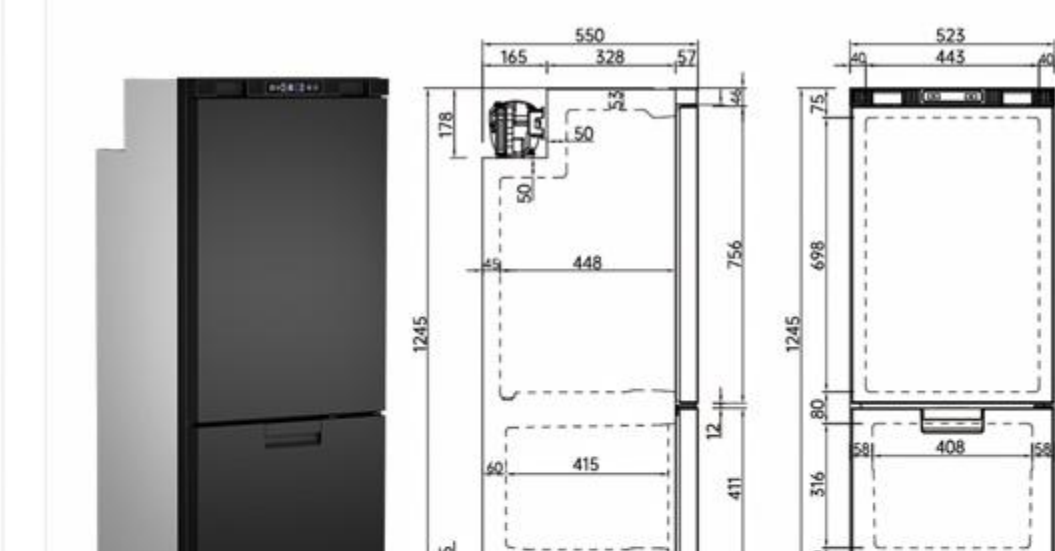


Model No. **DCM120DA**



Capacity	24.5L Freezer, 89.5L Fridge
Temperature range	-18°C~-5°C Freezer,0°C~10°C Fridge
Input voltage	DC 12V/24V
Input power	DC 75W
Isolation	C-pentane
Refrigerant	R600a
Product size	L545mm*W523mm*H810mm
Package size	L615mm*W588mm*H865mm
Weight	30.33kg/net,34.33kg/gross
Loading QTY	72PCS/20GP,158PCS/40GP,180PCS/40HQ

Model No. **DCM177DA**



Capacity	54L Freezer,123L Fridge
Temperature range	-18°C~-5°C Freezer,0°C~10°C Fridge
Input voltage	DC 12V/24V
Input power	DC 78W
Isolation	C-pentane
Refrigerant	R600a
Product size	L550mm*W523mm*H1245mm
Package size	L615mm*W588mm*H1300mm
Weight	41.7kg/net, 47kg/gross
Loading QTY	36PCS/20GP,79PCS/40GP,120PCS/40HQ