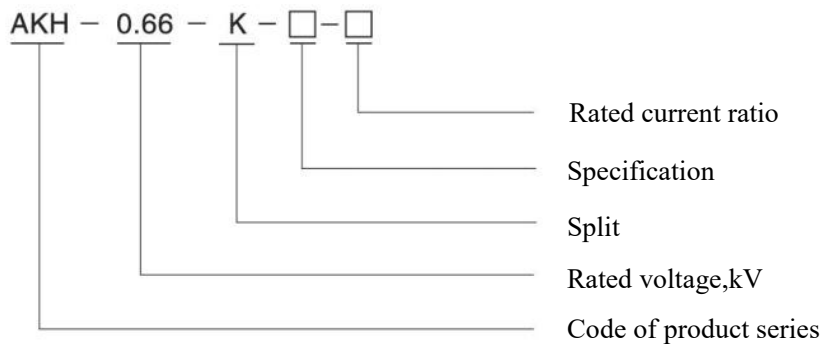


## AKH-0.66/K-Φ Split current transformer

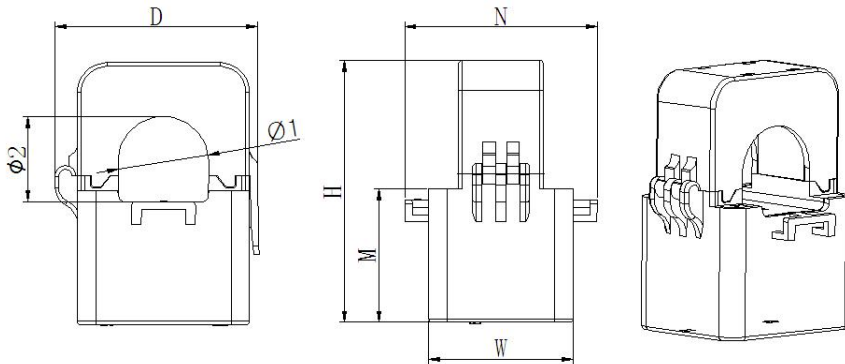
### 1. Product feature

The appearance is nice and the installation and wiring are convenient. AKH-0.66/K-Φ series split current transformers are mainly used in reconstructing projects of urban and rural power grids. Product has the advantages of small size, high accuracy, strong load capacity, easy installation, etc. They save the manpower, material resources and financial resources and improve the efficiency of users.

### 2. Explanation for type



### 3. Spec. and size



The transformers' secondary outlet wire is RV lead, whose standard length is 2m(±10cm error allowed).

Type	Size (mm)		Outline size			Through size		Tolerance
	W	H	D	M	N	Φ 1	Φ 2	
K-Φ 16	31	50	29	28	42	16	17	± 1
K-Φ 24	39	71	46	36	52	24	23.5	
K-Φ 36	42.5	82	58	40	56	33.5	35	

#### 4. Cross-reference tables of spec. –parameter



Specification	Rated current ratio	Precision degree	Straight-through turns	Max. cable outer diameter (mm)
K-Φ 16	100A/333mV	0.5	1	Φ 16
K-Φ 24	200A/333mV	0.5	1	Φ 24
	300A/333mV	0.5	1	
	400A/333mV	0.5	1	
K-Φ 36	300A/333mV	0.5	1	Φ 36
	400A/333mV	0.5	1	
	500A/333mV	0.5	1	
	600A/333mV	0.5	1	

#### 5. Technical indicators

- Rated operation voltage AC 0.66kV
- Rated frequency 50-60Hz
- Ambient air temperature -30°C-70°C
- Height above sea level ≤3000m
- Power frequency withstand voltage 3000v/1min 50Hz
- Used in place without direct rain and snow, without severe pollution and acute shock

#### 6. Installation

