

胶囊药片称重机
Capsule and Tablet Check Weigher
胶囊药片抽检秤
Capsule and Tablet Sample Check Weigher
多列检重秤
Multi Lane Check Weigher
高精度检重秤
High Precision Check Weigher
转盘式检重秤
Rotary Check Weigher
在线检重秤
Online Check Weigher
多级分选秤
Multi-level Weight Sorting Machine
金检重检一体机
Check Weigher with Metal Detector Combo
金属检测机
Metal Detector
胶囊药片金属检测机
Capsule and Tablet Metal Detector

上海实干实业有限公司

Shanghai Shigan Industrial Co., Ltd.

生产地址：浙江省嘉兴市南湖区余新镇渔谣路86号欧洛尼1栋
Production address: Building 1, Oloni, No. 86, Yuyao Road, Yuxin Town, Nanhu District, Jiaxing City, Zhejiang Province
商务地址：上海市松江区新桥镇九新公路2888号
Business address: No. 2888, Jiuxin Road, Xinqiao Town, Songjiang District, Shanghai
电话：021-67689703
网址：www.sgjianzhongji.com



胶囊药片逐粒称重机 胶囊片剂抽检秤 多列检重秤 高精度检重秤

SGWEIGH 实干



Company Profile 公司简介

上海实干实业有限公司是一家集科技、研发、生产销售为一体的高新技术企业，公司拥有多年检重领域经验，以卓越的设计能力，完善的工艺控制和可靠稳定的检测手段，向客户提供高性价比的检重秤，多级分选秤、以及相应的辅助配套设备。

产品质量稳定可靠，部分型号产品已经能够超越同类进口产品，并且远销世界各地，深受到广大用户及经销商的喜爱和好评。

公司始终坚持“质量为王、持续创新”的经营方针，以“信守承诺、用户至上”的企业宗旨，与广大用户精诚合作、欢迎新老客户光临惠顾。

Shanghai Shigan Industrial Co., Ltd. is a hi-tech integrated enterprise with science and technology, processing and sales. We are specialized in checkweigher for years in this field. providing customers cost-effective checkweigher, Multi-grades weight sorting scale and related auxiliary equipment by excellent design, perfect process control, stable and reliable detection methods.

Stable and reliable quality, Several series had already exceeded the similar imported products, export all over the world, and they are loved and praised by customers and distributors in the market.

The company always adheres to the business principle of "Quality is king and continuous innovation", with the corporate tenet of "keeping promises and customers first", cooperates with customers sincerely and welcomes new and old customers to visit our factory.



>> SG-1X

天平级检重秤 Balance Grade Check Weigher

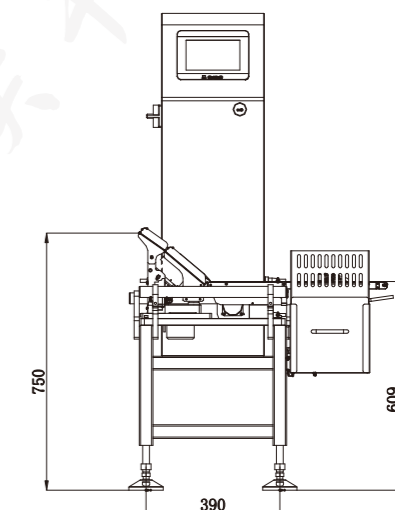
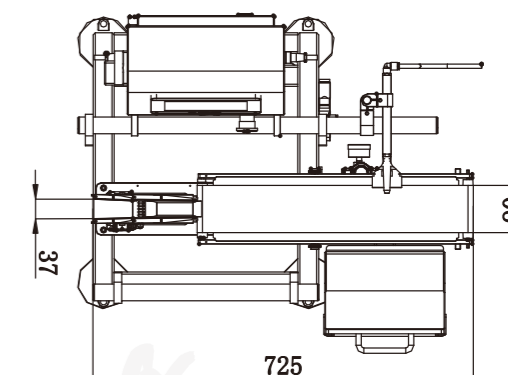
功能特点 Features

- ◎ 触摸屏人机对话
User-friendly operating system.
- ◎ 默认中英文操作界面（可定制多国语言）。
Chinese-English interface (Multiple languages can be customized)
- ◎ 重量补偿功能
Weight of products can be compensated
- ◎ 柱状图和曲线图用来客户分析产品合格率
Product qualification ratio can be showed in line graphs and bar charts
- ◎ 三级操作权限管理，支持自设密码
Three-level operation authority management, support self-set password
- ◎ 100个产品配方预设存储
100 kinds data can store with strong data statistics function.
- ◎ 不合格产品自动剔除
Unqualified products are automatically rejected



选配 Optional

- ◎ U 盘接口
USB Port
- ◎ RS485/232/网口通信接口
RS485/232/ LAN connection port
- ◎ 声光报警灯
Sound-light alarming lamp



型号 Type:	SG-1X
称重范围 Weighing scope:	1-50g
产品限制 Restrictions of product:	L:180 W:40 H:2-20(mm)
分选精度 Accuracy:	±0.01g 视产品 (Depends on products)
分度值 Division scale:	0.01g
最高速度 Highest speed:	70pcs/min
皮带宽度 Belt width:	100mm
机器自重 Weight of machine:	≈50Kg
电 源 Power supply:	AC220V±10%50HZ
功 率 Power:	≈100W
主要材质 Main material:	SUS304 不锈钢 (Stainless steel)

>> SG-Z

转盘式检重秤
Rotary Check Weigher

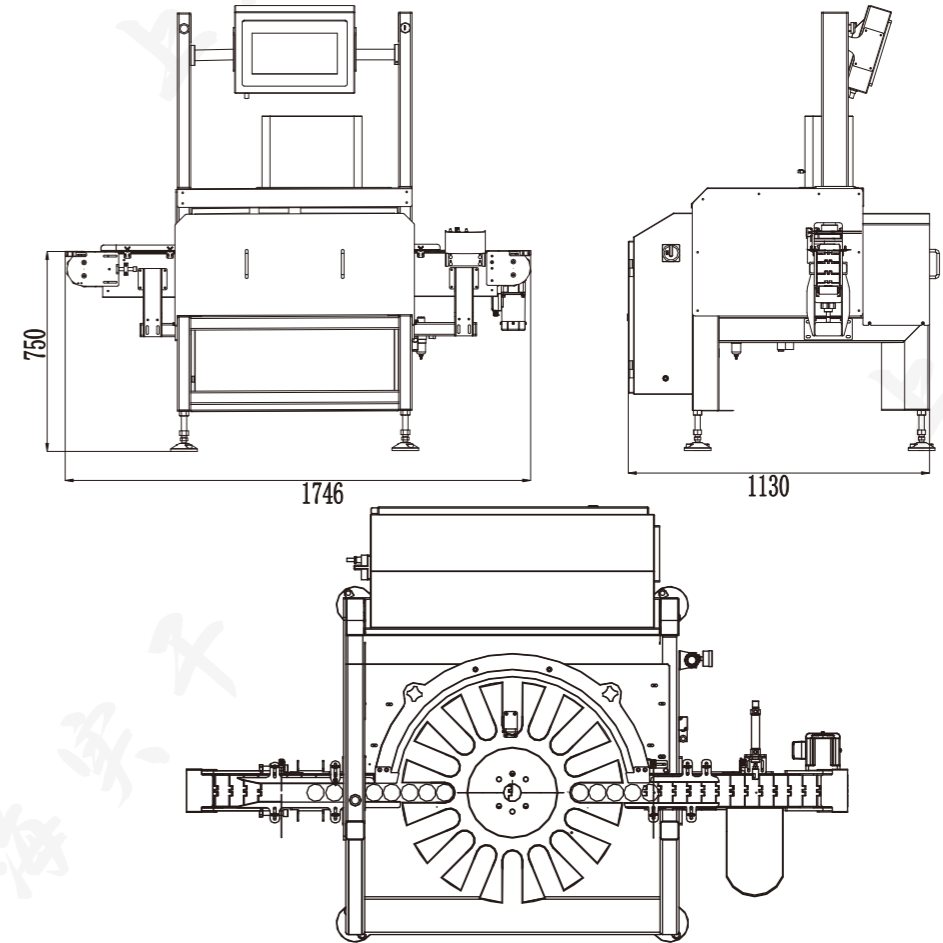
▶ 功能特点Features

- ◎ 大屏显示, 观看清晰, 操作便捷
Large screen display, clear viewing and convenient operation
- ◎ 默认中英文操作界面 (可定制多国语言)
Chinese-English interface (Multiple languages can be customized)
- ◎ 光电定位, 转盘精准把产品送到称重传感器上
Photoelectric positioning, the turntable accurately sends the product to the load cell
- ◎ 链板输送结实耐用
Chain conveyor is strong and durable
- ◎ 三级操作权限管理, 支持自设密码
Three-level operation authority management, support self-set Password
- ◎ 100 个产品配方预设存储
100 kinds data can store with strong data statistics function.
- ◎ 不合格产品自动剔除方式 (可选推杆式、气吹式)
Unqualified products are automatically rejected (push type, air blowing type are optional)
- ◎ 多通道过产品, 提高生产效率 (可定制通道数量)
Multi-channel passing products to improve production efficiency (the number of channels can be customized)



▶ 选配Optional

- ◎ U 盘接口
USB Port
- ◎ RS485/232/网口通信接口
RS485/232/ LAN connection port
- ◎ 声光报警灯
Sound-light alarming lamp



型 号Type:	SG-Z
称重范围Weighing scope:	2-300g
产品限制Restrictions of product:	φ10-100 H:20-200(mm)
分选精度Accuracy:	±0.01g 视产品 (Depends on products)
分度值Division scale:	0.01g
皮带速度Belt Speed:	0-50m/min
最高速度Highest speed:	60pcs/min,120pcs/min,180pcs/min,可选 (Optional)
链板宽度Chain plate width:	100mm
机器自重Weight of machine:	≈260Kg
电 源Powder supply :	AC220V±10%50HZ
功 率Power:	≈400W
主要材质Main material:	SUS304 不锈钢 (Stainless Steel)

>> SG-6X

多列检重秤
Multi Lane Check Weigher

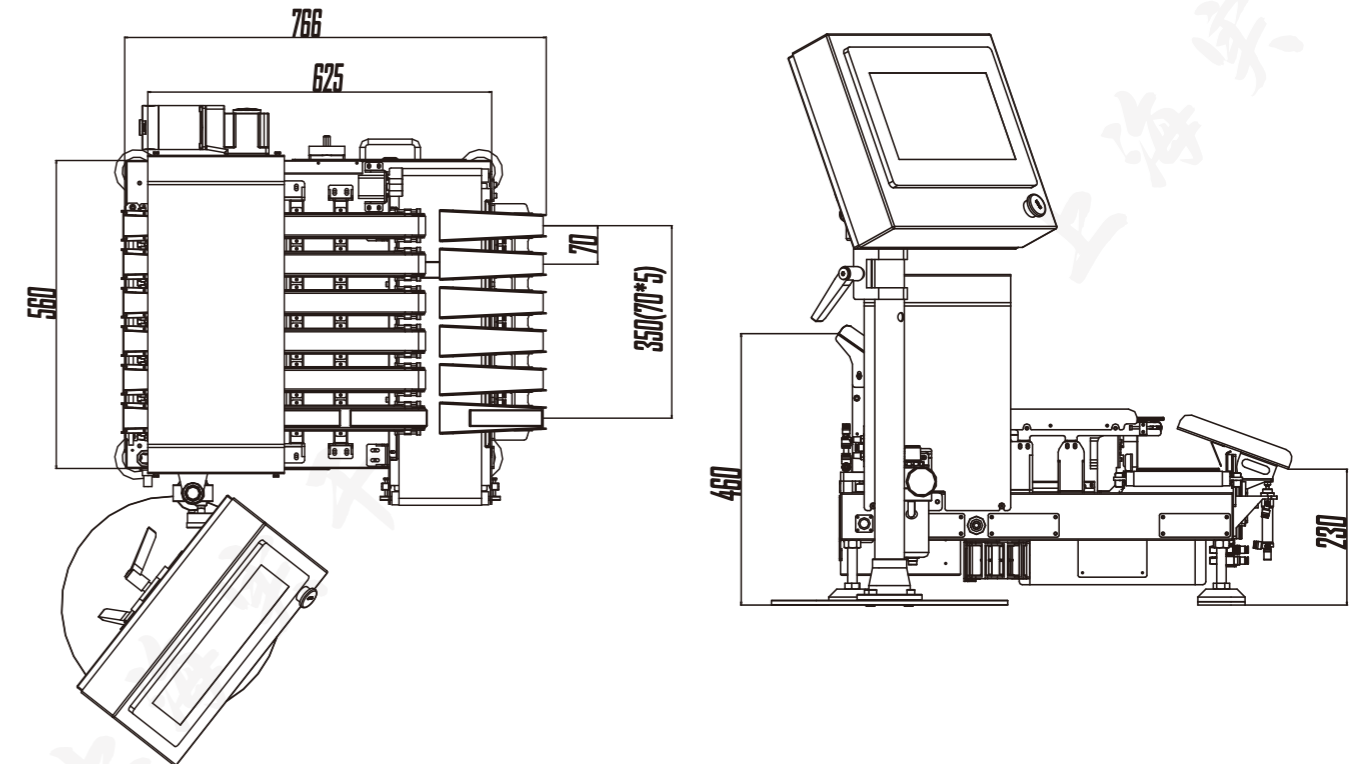
功能特点 Features

- ◎ 大屏显示, 观看清晰, 操作便捷
Large screen display, clear viewing and convenient operation
- ◎ 默认中英文操作界面 (可定制多国语言)
Chinese-English interface
(Multiple languages can be customized)
- ◎ 重量补偿功能
Weight of products can be compensated
- ◎ 柱状图和曲线图用来客户分析产品合格率
Product qualification ratio can be showed in line graphs and bar charts
- ◎ 三级操作权限管理, 支持自设密码
Three-level operation authority management, support self-set password
- ◎ 100 个产品配方预设存储
100 kinds data can store with strong data statistics function.
- ◎ 不合格产品自动剔除
Unqualified products are automatically rejected .
- ◎ 多通道过产品, 提高生产效率 (可定制通道数量)
Multi-channel passing products to improve production efficiency (the number of channels can be customized)



选配 Optional

- ◎ U 盘接口
USB Port
- ◎ RS485/232/网口通信接口
RS485/232/ LAN connection port
- ◎ 声光报警灯
Sound-light alarming lamp



型号 Type:	SG-6X
称重范围 Weighing scope:	1-50g
产品限制 Restrictions of product:	L:180 W:40 H:2-20(mm)
分选精度 Accuracy:	±0.01g 视产品 (Depends on product)
分度值 Division scale:	0.01g
单道速度 Each channel speed:	70pcs/min
皮带宽度 Belt speed:	30mm
机器自重 Weight of machine:	≈120Kg
电源 Power supply:	AC-220V 50HZ
功率 Power:	≈400W
主要材质 Main material:	SUS304 不锈钢 (Stainless Steel)

>> SG-10XM

多列检重秤
Multi Lane Check Weigher

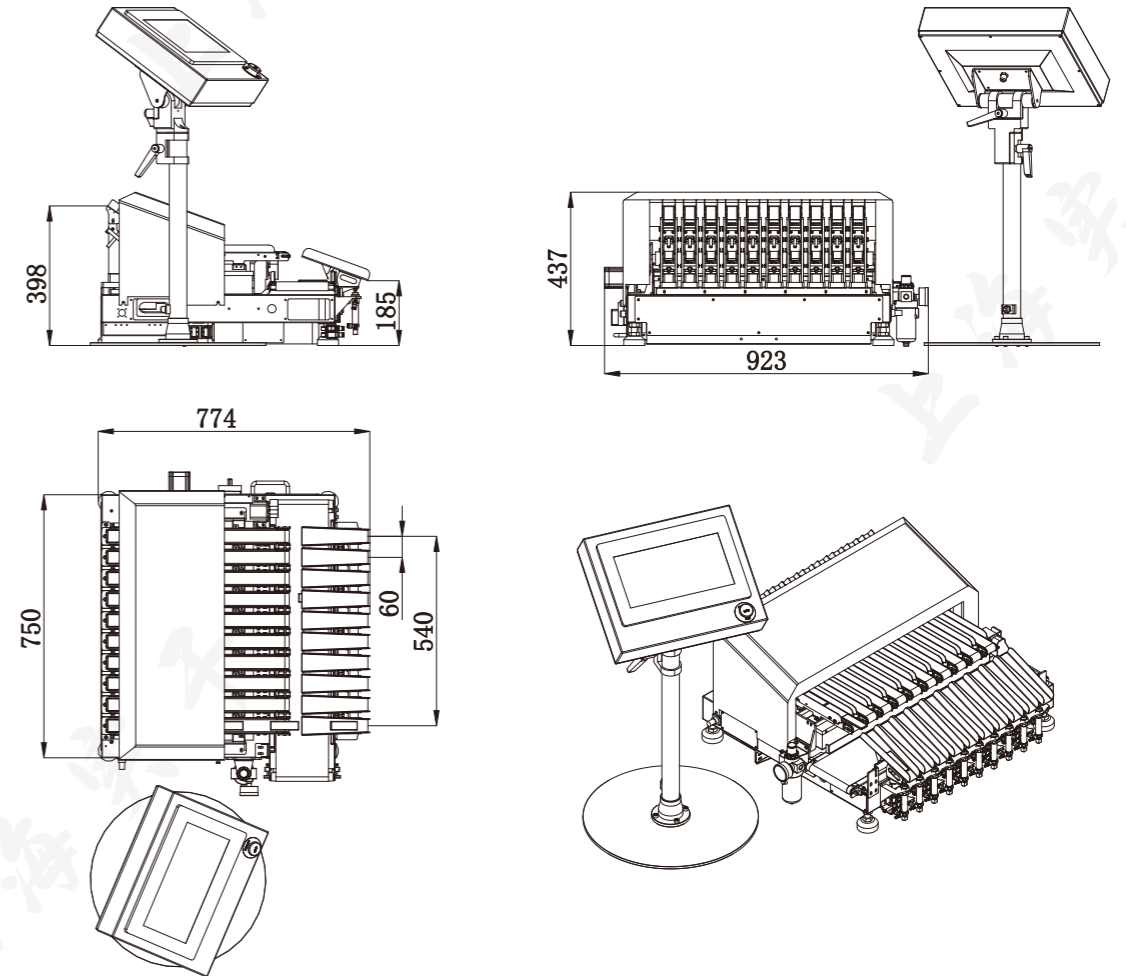
功能特点 Features

- ◎ 大屏显示, 观看清晰, 操作便捷
Large screen display, clear viewing and convenient operation
- ◎ 默认中英文操作界面 (可定制多国语言)
Chinese-English interface(Multiple languages can be customized)
- ◎ 重量补偿功能
Weight of products can be compensated
- ◎ 柱状图和曲线图用来客户分析产品合格率
Product qualification ratio can be showed in line graphs and bar charts
- ◎ 三级操作权限管理, 支持自设密码
Three-level operation authority management, support self-set password
- ◎ 100 个产品配方预设存储
100 kinds data can store with strong data statistics function.
- ◎ 不合格产品自动剔除
Unqualified products are automatically rejected
- ◎ 多通道过产品, 提高生产效率 (可定制通道数量)
Multi-channel passing products to improve production efficiency (the number of channels can be customized)



选配 Optional

- ◎ U 盘接口
USB Port
- ◎ RS485/232/网口通信接口
RS485/232/ LAN connection port
- ◎ 声光报警灯
Sound-light alarming lamp



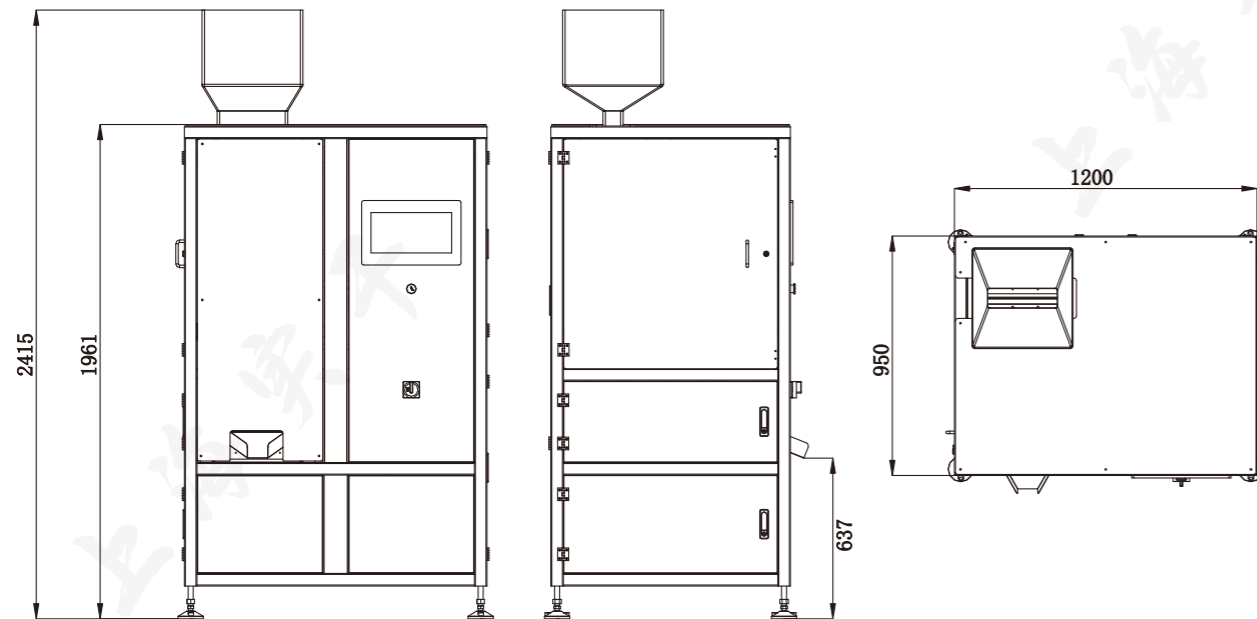
型 号 Type:	SG-10XM
称重范围 Weighing scope:	2-300g
产品限制 Restrictions of product:	L:180 W:40 H:2-20(mm)
分选精度 Accuracy:	±0.01g 视产品 (Depends on product)
分度值 Division scale:	0.01g
最高速度 Highest speed:	70pcs/min
皮带宽度 Belt width:	30mm
机器自重 Weight of machine:	≈200Kg
电 源 Power supply:	AC-220V 50HZ
功 率 Power:	≈300W
主要材质 Main material:	SUS304 不锈钢 (Stainless Steel)

>> SG-JN10

胶囊药片检重秤
Capsule and Tablet Check Weigher

▶ 功能特点Features

- ◎ 大屏显示, 观看清晰, 操作便捷
Large screen display, clear viewing and convenient operation
- ◎ 默认中英文操作界面 (可定制多国语言)
Chinese-English interface(Multiple languages can be customized)
- ◎ 适用常规胶囊片剂。
Suitable for regular capsules and tablets
- ◎ 可实际显示每通道相关数据
It can actually display the relevant data of each channel
- ◎ 三级操作权限管理, 支持自设密码
Three-level operation authority management, support self-set password
- ◎ 100 个产品配方预设存储
100 kinds data can store with strong data statistics function.
- ◎ 所有通道无须拆卸即可完成清洁
All channels can be cleaned without disassembly
- ◎ 多通道过产品, 提高生产效率 (可定制通道数量)
Multi-channel passing products to improve production efficiency (the number of channels can be customized)



▶ 选配Optional

- ◎ U 盘接口
USB Port
- ◎ RS485/232/网口通信接口
RS485/232/ LAN connection port
- ◎ 声光报警灯
Sound-light alarming lamp



型号Type	SG-JN10	SG-JN20	SG-JN30
称重范围Weighing scope:	5-2000mg		
显示刻度Display scale	0.1mg		
最高选别精度Highest sorting accuracy:	±0.5mg		
产品规格product specification:	胶囊Capsule: 00#-5#; 圆片Wafer: Φ5.5-Φ18mm, 片厚Thickness 3-12mm, 丸剂Pill: Φ5.5-Φ12mm, 其他规格或形状须经测试(Other sizes or shapes subject to testing)		
最高选别能力highest sorting ability:	7.5万个/小时 PCS/HR	15万个/小时PCS/HR	23万个/小时PCS/HR
列数Number of columns:	10列(Columns)	20列(Columns)	30列(Columns)
电源Power supply:	AC-220V±10%, 50Hz		
压缩空气compressed air:	0.3-0.9Mpa		
使用环境Use environment:	15~30°C (使用中的温度变化勿超过1°C/h的范围) The temperature change during use should not exceed the range of 1°C/h、 湿度30~70%RH (但不结露) Humidity 30~70%RH (but no condensation)		
机器自重Weight of Machine:	350kg	500kg	700kg
外壳材质Shell material:	SUS304 不锈钢 (Stainless Steel)		

>> SG-DJ10

胶囊片剂抽检秤
Capsule and Tablet sample check weigher

功能特点Features

- ◎ 主要用于胶囊/片剂的抽检用，定时或不定时小批量重量检测。
It is mainly used for sampling of capsules/tablets, regular or irregular small batch weight detection.
- ◎ 可直接对接胶囊填充机/压片机使用，也可单机使用。
It can be directly connected to the capsule filler/tablet press, or it can also be used in a single machine.
- ◎ 无须更换模具，适合各种尺寸的胶囊或片剂。
There is no need to change the mould, and it is suitable for capsules or tablets of various sizes.
- ◎ 合格品自动回收。
Automatic recycling of qualified products.



型号Type:	SG-DJ10
称重范围 Weighing scope:	20-2000mg
分选精度 Accuracy:	±1mg (视产品) (Depends on products)
分度值 Division scale:	0.1mg
单道速度 Each channel speed:	100pcs/min
电源 Power supply:	AC-220V 50HZ
功率 Power:	≈100W
机器自重 Weight of machine:	≈80Kg
主要材质 Main material:	SUS304 不锈钢 (Stainless Steel)

>> SG-100

在线检重秤
Online Check Weigher

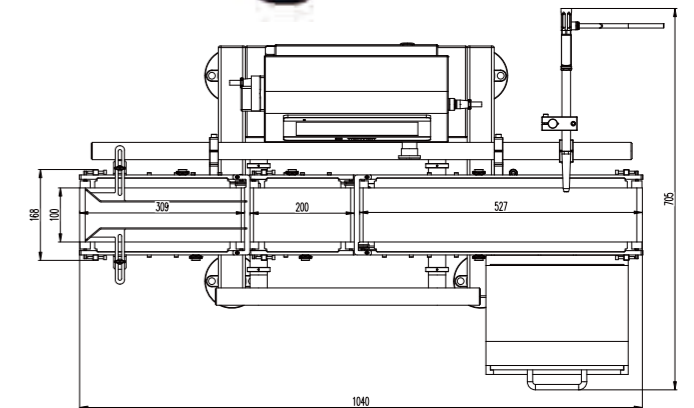
功能特点Features

- ◎ 触摸屏人机对话
User-friendly operating system.
- ◎ 中英文操作界面
Chinese-English interface.
- ◎ 重量补偿功能
Weight of products can be compensated
- ◎ 柱状图和曲线图用来客户分析产品合格率
Product qualification ratio can be showed in line graphs and bar charts.
- ◎ 三级操作权限管理，支持自设密码
Three-level operation authority management, support self-set password
- ◎ 可 100 个产品配方预设存储
100 kinds of data can be stored with strong data statistics function.
- ◎ 不合格产品多种剔除方式。
Support multi-methods of rejection.

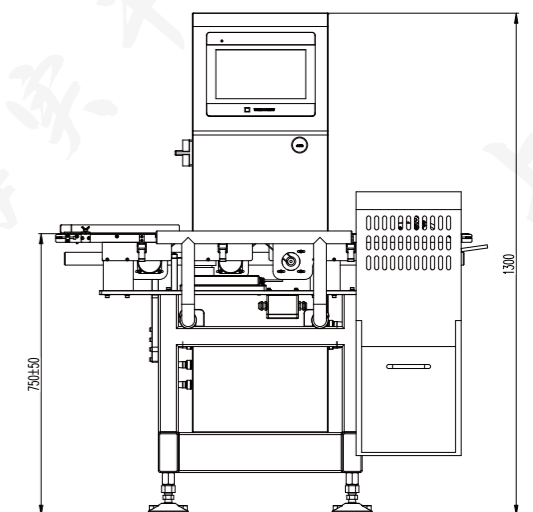


选配Optional

- ◎ U 盘接口
USB Port
- ◎ RS485/232/网口通信接口
RS485/232/LAN connection port
- ◎ 声光报警灯
Sound-light alarming lamp



型号: Type	SG-100
称重范围 Weighing scope:	2-300g
产品限制 Restrictions of product:	L:100 W:100 H:2-150(mm)
分选精度 Accuracy:	±0.05g 视产品 (Depends on products)
分度值 Division Scale:	0.01g
皮带速度 Belt speed:	0-90m/min
最高速度 Highest speed:	260pcs/min
皮带宽度 Belt Width:	100mm
机器自重 Weight of Machine:	70Kg
电源 Power Supply:	AC 220V 50HZ
功率 Power:	≈100w
主要材质 Main Material:	SUS304 不锈钢 (Stainless Steel)



>> SG-100HH

超细瓶在线检重秤 Ultra-narrow Bottle Online Check Weigher

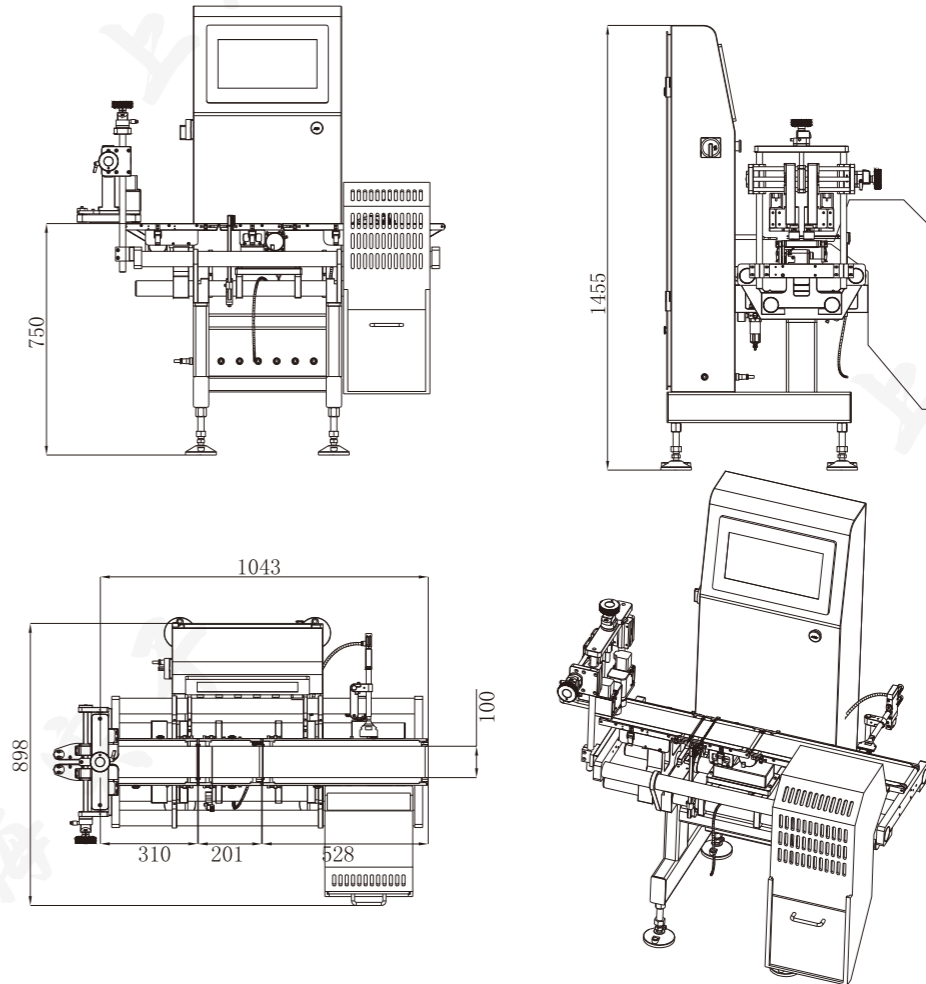
功能特点 Features

- ◎ 触摸屏人机对话
User-friendly operating system.
- ◎ 中英文操作界面
Chinese-English interface.
- ◎ 重量补偿功能
Weight of products can be compensated
- ◎ 柱状图和曲线图用来客户分析产品合格率
Product qualification ratio can be showed in line graphs and bar charts.
- ◎ 三级操作权限管理，支持自设密码
Three-level operation authority management, support self-set password
- ◎ 可100个产品配方预设存储
100 kinds of data can be stored with strong data statistics function.
- ◎ 不合格产品多种剔除方式。
Support multi-methods of rejection.



选配 Optional

- ◎ U 盘接口
USB Port
- ◎ RS485/232/网口通信接口
RS485/232/ LAN connection port
- ◎ 声光报警灯
Sound-light alarming lamp



型号 Type	SG-100HH
称重范围 Weighing scope:	2-300g
产品限制 Restriction of product:	L:100 W:100 H:2-150(mm)
分选精度 Accuracy:	±0.05g 视产品 (Depends on product)
分度值 Division scale:	0.01g
皮带速度 Belt speed:	0-120m/min
最高速度 Highest speed:	450pcs/min
皮带宽度 Belt width:	100mm
机器自重 Weight of machine:	≈150Kg
电源 Power supply:	AC-220V 50HZ
功率 Power:	≈200W
主要材质 Main material:	SUS304 不锈钢 (Stainless Steel)

>> SG-150

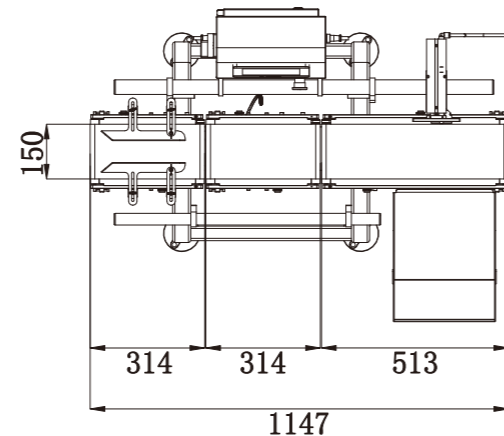
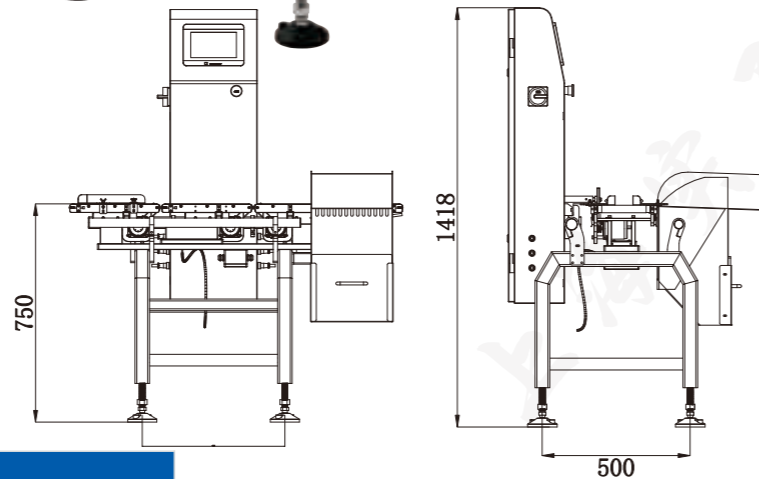
在线检重秤 Online Check Weigher

功能特点Features

- ◎ 触摸屏人机对话
User-friendly operating system.
- ◎ 中英文操作界面
Chinese-English interface;
- ◎ 重量补偿功能
Weight of products can be compensated
- ◎ 柱状图和曲线图用来客户分析产品合格率
Product qualification ratio can be showed in line graphs and bar charts
- ◎ 三级操作权限管理, 支持自设密码
Three-level operation authority management, support self-set password
- ◎ 可 100 个产品配方预设存储
100 kinds data can store with strong data statistics function.
- ◎ 不合格产品多种剔除方式。
Support and multi-methods of rejection

选配Optional

- ◎ U 盘接口
USB Port
- ◎ RS485/232/网口通信接口
RS485/232/LAN connection port
- ◎ 声光报警灯
Sound-light alarming lamp



型号 Type	SG-150
称重范围 Weighing scope :	3-500g
产品限制 Restriction of product :	L:200 W:150 H:3-200(mm)
分选精度 Accuracy :	±0.1g (视产品) (Depends on products)
分度值 Division scale:	0.1g
皮带速度 Belt speed:	0-60m/min
最高速度 Highest speed:	150pcs/min
皮带宽度 Belt width :	150mm
机器自重 Weight of machine:	≈80Kg
电 源 Power supply :	AC-220V 50HZ
功 率 Power:	≈100W
主要材质 Main material :	SUS304 不锈钢 (Stainless Steel)

>> SG-150U

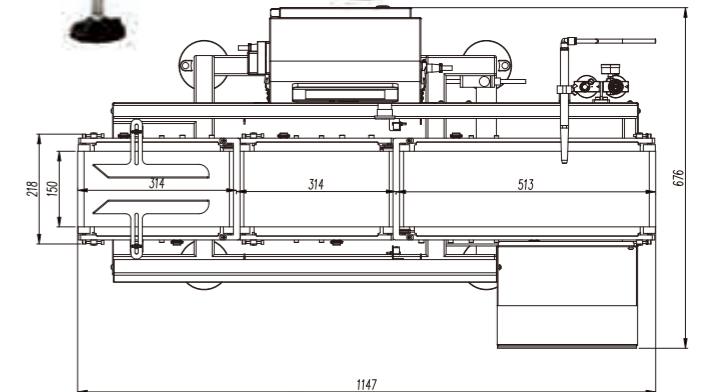
在线检重秤 Online Check Weigher

功能特点Features

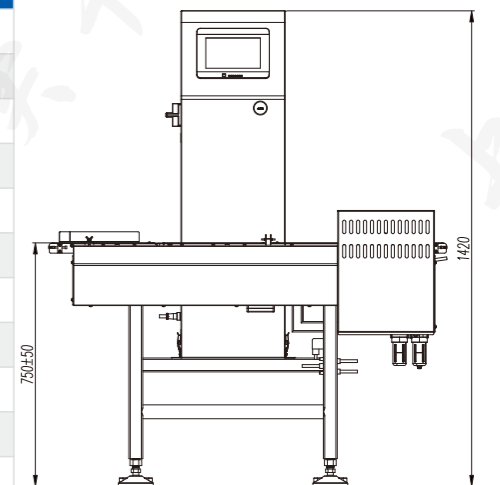
- ◎ 1、触摸屏人机对话
User-friendly operating system.
- ◎ 2、中英文操作界面
Chinese-English interface;
- ◎ 3、重量补偿功能
Weight of products can be compensated
- ◎ 4、柱状图和曲线图用来客户分析产品合格率
Product qualification ratio can be showed in line graphs and bar charts
- ◎ 5、三级操作权限管理, 支持自设密码
Three-level operation authority management, support self-set password.
- ◎ 6、可 100 个产品配方预设存储
100 kinds of data can be stored with strong data statistics function. statistics function.
- ◎ 7、不合格产品多种剔除方式。
Support multi-methods of rejection

选配Optional

- ◎ U 盘接口
USB Port
- ◎ RS485/232/网口通信接口
RS485/232/LAN connection port
- ◎ 声光报警灯
Sound-light alarming lamp



型号 Type	SG-150U
称重范围 Weighing scope:	3-500g
产品限制 Restrictions of product:	L:200 W:150 H:3-200(mm)
分选精度 Accuracy:	±0.1g 视产品 (Depends on products)
分度值 Division Scale:	0.1g
皮带速度 Belt speed:	0-60m/min
最高速度 Highest speed:	150pcs/min
皮带宽度 Belt Width:	150mm
机器自重 Weight of Machine:	60Kg
电 源 Power Supply:	AC 220V 50HZ
功 率 Power:	≈100w
主要材质 Main Material:	SUS304 不锈钢 (Stainless Steel)



>> SG-150H

高速在线检重秤 High Speed Online Check Weigher

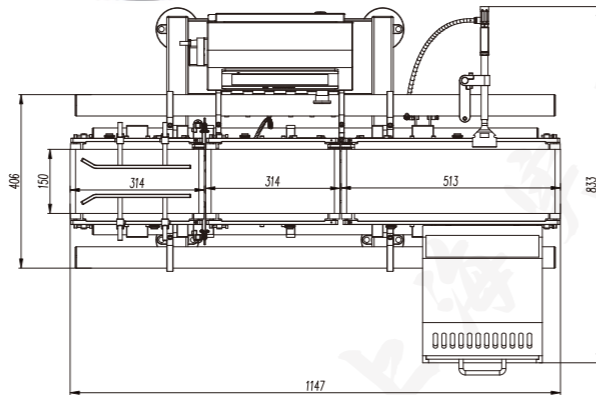
功能特点Features

- ◎ 触摸屏人机对话
User-friendly operating system.
- ◎ 中英文操作界面
Chinese-English interface;
- ◎ 重量补偿功能
Weight of products can be compensated
- ◎ 柱状图和曲线图用来客户分析产品合格率
Product qualification ratio can be showed in line graphs and bar charts
- ◎ 三级操作权限管理, 支持自设密码
Three-level operation authority management, support self-set password
- ◎ 可 100 个产品配方预设存储
100 kinds of data can be stored with strong data statistics function.
- ◎ 不合格产品多种剔除方式。
Support multi-methods of rejection

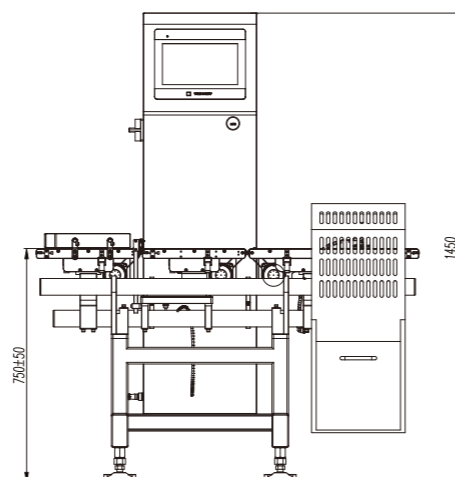


选配Optional

- ◎ U 盘接口
USB Port
- ◎ RS485/232/网口通信接口
RS485/232/LAN connection port
- ◎ 声光报警灯
Sound-light alarming lamp



型号 Type	SG-150H
称重范围 Weighing scope:	3-500g
产品限制 Restrictions of product:	L:200 W:150 H:3-200(mm)
分选精度 Accuracy:	±0.1g (视产品) (Depends on products)
分度值 Division Scale:	0.1g
皮带速度 Belt speed:	0-90m/min
最高速度 Highest speed:	250pcs/min
皮带宽度 Belt Width:	150mm
机器自重 Weight of Machine:	70Kg
电源 Power Supply:	AC 220V 50HZ
功率 Power:	≈100w
主要材质 Main Material:	SUS304 不锈钢 (Stainless Steel)



>> SG-220

在线检重秤 Online Check Weigher

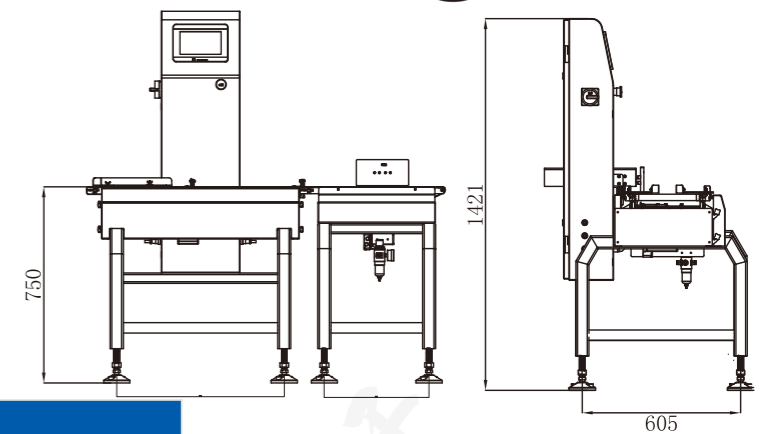
功能特点Features

- ◎ 触摸屏人机对话
User-friendly operating system.
- ◎ 中英文操作界面
Chinese-English interface;
- ◎ 重量补偿功能
Weight of products can be compensated
- ◎ 柱状图和曲线图用来客户分析产品合格率
Product qualification ratio can be showed in line graphs and bar charts
- ◎ 三级操作权限管理, 支持自设密码
Three-level operation authority management, support self-set password
- ◎ 可100个产品配方预设存储
100 kinds data can store with strong data statistics function.
- ◎ 不合格产品多种剔除方式。
Support multi-methods of rejection

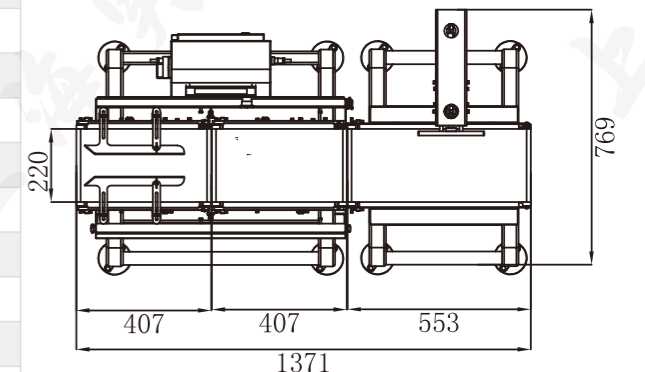


选配Optional

- ◎ U 盘接口
USB Port
- ◎ RS485/232/网口通信接口
RS485/232 /LAN connection port
- ◎ 声光报警灯
Sound-light alarming lamp



型号 Type	SG-220
称重范围 Weighing scope:	5-1500g
产品限制 Restrictions of product:	L:300 W:220 H:3-200(mm)
分选精度 Accuracy:	±0.2g 视产品 (Depends on products)
分度值 Division scale:	0.1g
皮带速度 Belt speed:	0-60m/min
最高速度 Highest speed:	100pcs/min
皮带宽度 Belt width:	220mm
机器自重 Weight of machine:	≈85Kg
电源 Power supply:	50HZ
功率 Power:	≈200W
主要材质 Main material:	SUS304 不锈钢 (Stainless Steel)



>> SG-150HH

超高速在线检重秤 Ultra-high Speed Online Check Weigher

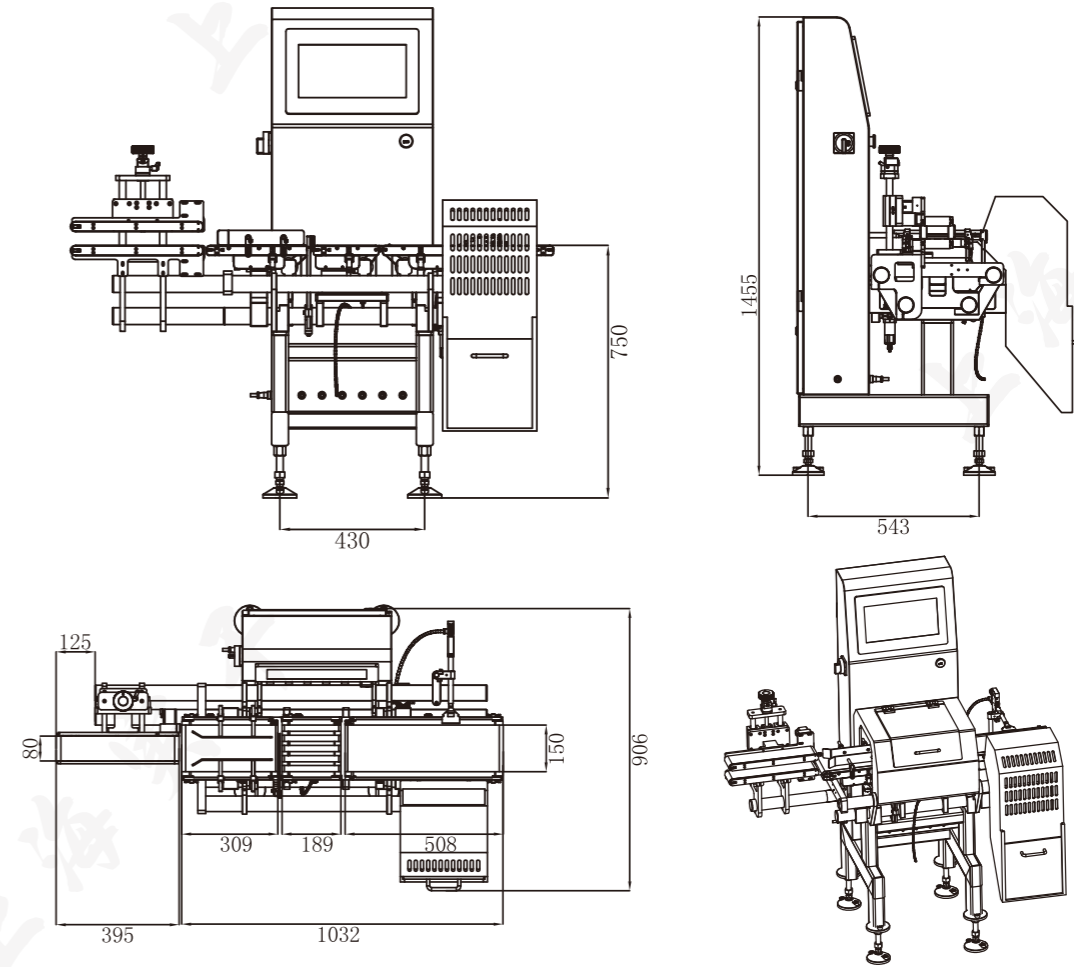
功能特点 Features

- ◎ 触摸屏人机对话
User-friendly operating system.
- ◎ 中英文操作界面
Chinese-English interface;
- ◎ 重量补偿功能
Weight of products can be compensated
- ◎ 柱状图和曲线图用来客户分析产品合格率
Product qualification ratio can be showed in line graphs and bar charts
- ◎ 三级操作权限管理, 支持自设密码
Three-level operation authority management, support self-set password
- ◎ 可 100 个产品配方预设存储
100 kinds data can store with strong data statistics function.
- ◎ 不合格产品多种剔除方式。
Support multi-methods of rejection.
- ◎ 可加装压盒装置
Press box device can be added



选配 Optional

- ◎ U 盘接口
USB Port
- ◎ RS485/232/网口通信接口
RS485/232/LAN connection port
- ◎ 声光报警灯
Sound-light alarming lamp



型号 Type	SG-150HH
称重范围 Weighing scope:	3-500g
产品限制 Restriction of product:	L:100 W:150 H:2-150(mm)
分选精度 Accuracy:	±0.1g 视产品 (Depends on product)
分度值 Division scale:	0.1g
皮带速度 Belt speed:	0-110m/min
最高速度 Highest speed:	450pcs/min
皮带宽度 Belt width:	150mm
机器自重 Weight of machine:	≈140Kg
电源 Power supply:	AC-220V 50HZ
功率 Power:	≈200W
主要材质 Main material:	SUS304 不锈钢 (Stainless Steel)

>> SG-220U

在线检重秤 Online Check Weigher

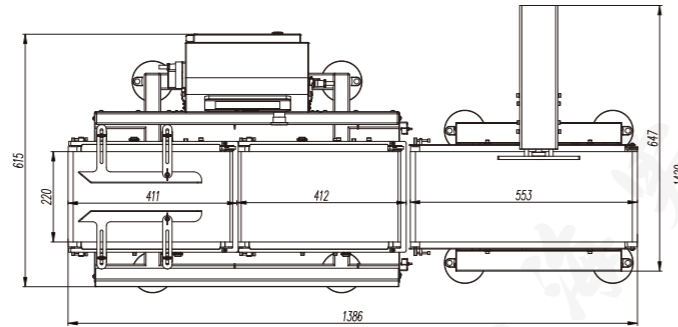
功能特点Features

- ◎ 触摸屏人机对话
User-friendly operating system.
- ◎ 中英文操作界面
Chinese-English interface;
- ◎ 重量补偿功能
Weight of products can be compensated
- ◎ 柱状图和曲线图用来客户分析产品合格率
Product qualification ratio can be showed in line graphs and bar charts
- ◎ 三级操作权限管理, 支持自设密码
Three-level operation authority management, support self-set password
- ◎ 可100个产品配方预设存储
100 kinds of data can be stored with strong data statistics function
- ◎ 不合格产品多种剔除方式。
Support multi-methods of rejection

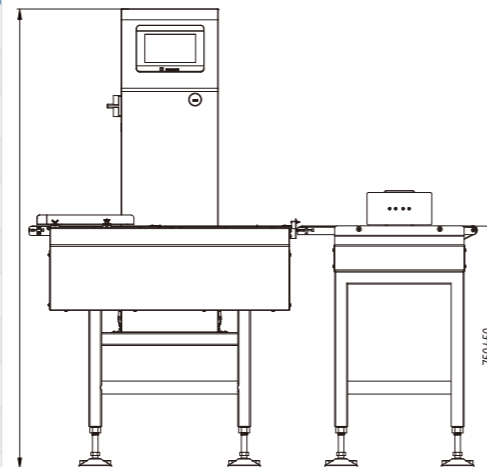


选配Optional

- ◎ U 盘接口
USB Port
- ◎ RS485/232/网口通信接口
RS485/232/LAN connection port
- ◎ 声光报警灯
Sound-light alarming lamp



型号 Type	SG-220U
称重范围 Weighing scope:	5-1500g
产品限制 Restrictions of product:	L:300 W:220 H:3-200(mm)
分选精度 Accuracy:	±0.2g (视产品) (Depends on products)
分度值 Division Scale:	0.1g
皮带速度 Belt speed:	0-60m/min
最高速度 Highest speed:	100pcs/min
皮带宽度 Belt Width:	220mm
机器自重 Weight of Machine:	≈65Kg
电源 Power Supply:	AC 220V 50HZ
功率 Power:	≈200w
主要材质 Main Material:	SUS304 不锈钢 (Stainless Steel)



>> SG-300

在线检重秤 Online Check Weigher

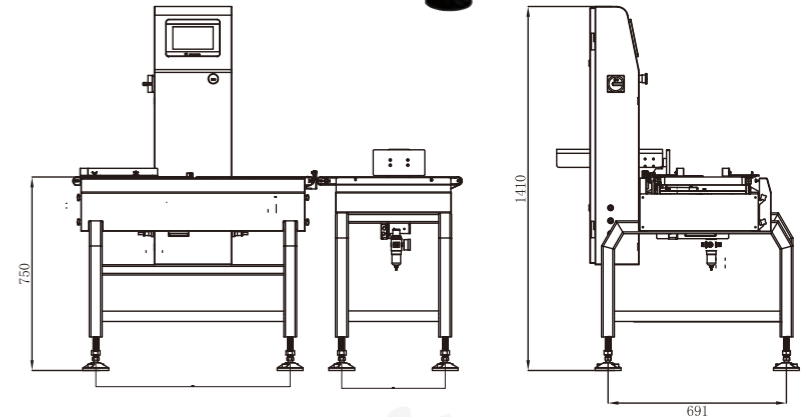
功能特点Features

- ◎ 触摸屏人机对话
User-friendly operating system.
- ◎ 中英文操作界面
Chinese-English interface;
- ◎ 重量补偿功能
Weight of products can be compensated
- ◎ 柱状图和曲线图用来客户分析产品合格率
Product qualification ratio can be showed in line graphs and bar charts
- ◎ 三级操作权限管理, 支持自设密码
Three-level operation authority management, support self-set password
- ◎ 可100个产品配方预设存储
100 kinds data can store with strong data statistics function.
- ◎ 不合格产品多种剔除方式。
Support multi-methods of rejection

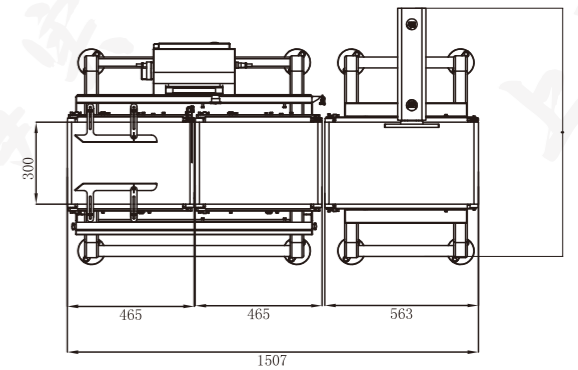


选配Optional

- ◎ U 盘接口
USB Port
- ◎ RS485/232/网口通信接口
RS485/232/LAN connection port
- ◎ 声光报警灯
Sound-light alarming lamp



型号 Type	SG-300
称重范围 Weighing scope:	5-3000g
产品限制 Restrictions of product:	L:350 W:300 H:3mm以上
分选精度 Accuracy:	±0.3-0.5g 视产品 (Depends on product)
分度值 Division Scale:	0.1g
皮带速度 Belt speed:	0-60m/min
最高速度 Highest speed:	80pcs/min
皮带宽度 Belt speed:	300mm
机器自重 Weight of machine:	≈100Kg
电源 Power supply:	AC-220V 50HZ
功率 Power:	≈200W
主要材质 Main material:	SUS304 不锈钢 (Stainless Steel)

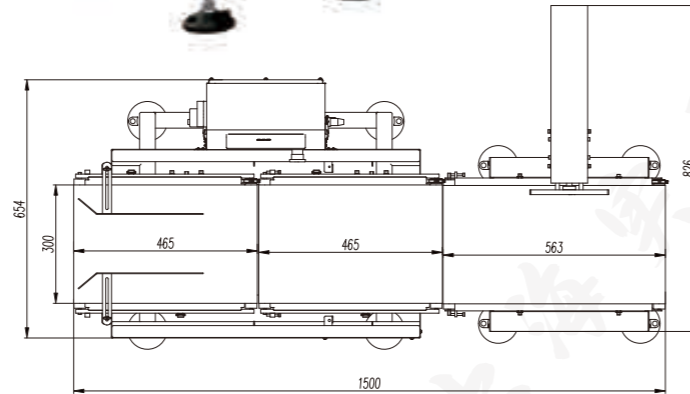


>> SG-300U

在线检重秤
Online Check Weigher

▶ 功能特点Features

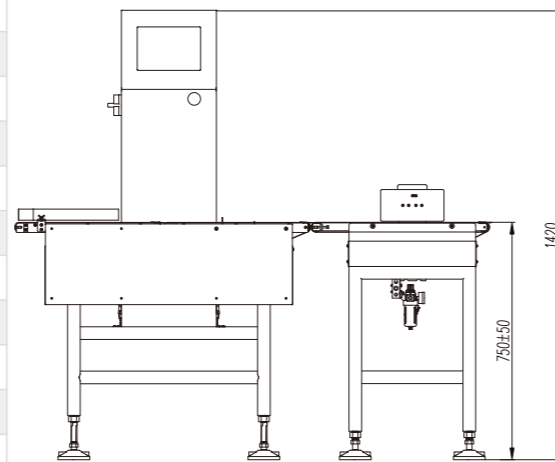
- ◎ 触摸屏人机对话
User-friendly operating system.
- ◎ 中英文操作界面
Chinese-English interface;
- ◎ 重量补偿功能
Weight of products can be compensated
- ◎ 柱状图和曲线图用来客户分析产品合格率
Product qualification ratio can be showed in line graphs and bar charts
- ◎ 三级操作权限管理, 支持自设密码
Three-level operation authority management, support self-set password
- ◎ 可 100 个产品配方预设存储
100 kinds of data can be stored with strong data statistics function
- ◎ 不合格产品多种剔除方式。
Support multi-methods of rejection



▶ 选配Optional

- ◎ U 盘接口
USB Port
- ◎ RS485/232/网口通信接口
RS485/232/LAN connection port
- ◎ 声光报警灯
Sound-light alarming lamp

型号 Type	SG-300U
称重范围 Weighing scope:	5-3000g
产品限制 Restrictions of product:	L:350 W:300 H:3mm以上
分选精度 Accuracy:	±0.3g-0.5g (视产品) (Depends on products)
分度值 Division Scale:	0.1g
皮带速度 Belt speed:	0-60m/min
最高速度 Highest speed:	80pcs/min
皮带宽度 Belt Width:	300mm
机器自重 Weight of Machine:	85Kg
电源 Power Supply:	AC 220V 50HZ
功率 Power:	≈200w
主要材质 Main Material:	SUS304 不锈钢 (Stainless Steel)



>> SG-400

在线检重秤
Online Check Weigher

▶ 功能特点Features

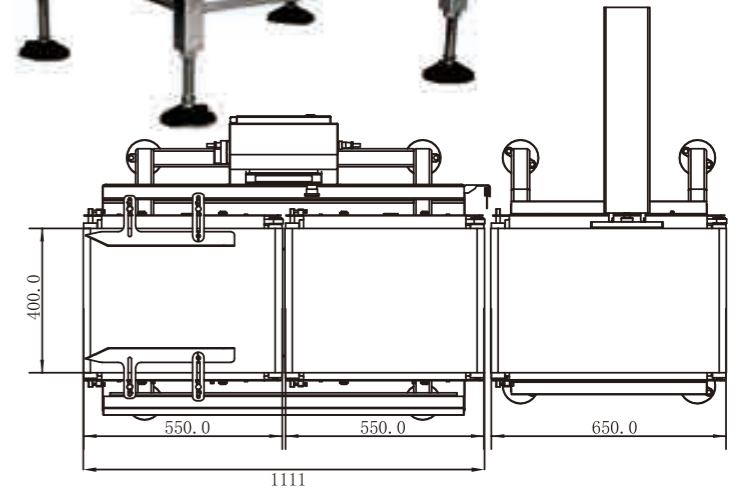
- ◎ 触摸屏人机对话
User-friendly operating system.
- ◎ 中英文操作界面
Chinese-English interface;
- ◎ 重量补偿功能
Weight of products can be compensated
- ◎ 柱状图和曲线图用来客户分析产品合格率
Product qualification ratio can be showed in line graphs and bar charts
- ◎ 三级操作权限管理, 支持自设密码
Three-level operation authority management, support self-set password
- ◎ 可 100 个产品配方预设存储
100 kinds of data can be stored with strong data statistics function
- ◎ 不合格产品多种剔除方式。
Support multi-methods of rejection



▶ 选配Optional

- ◎ U 盘接口
USB Port
- ◎ RS485/232/网口通信接口
RS485/232/LAN connection port
- ◎ 声光报警灯
Sound-light alarming lamp

型号 Type	SG-400
称重范围 Weighing scope:	100-10000g
产品限制 Restrictions of product:	L:450 W:400 H:3-400mm
分选精度 Accuracy:	±1-10g 视产品 (Depends on products)
分度值 Division Scale:	1g
皮带速度 Belt speed:	0-60m/min
最高速度 Highest speed:	50pcs/min
皮带宽度 Belt Width:	400mm
机器自重 Weight of Machine:	≈110Kg
电源 Power Supply:	AC 220V 50HZ
功率 Power:	≈300w
主要材质 Main Material:	SUS304 不锈钢 (Stainless Steel)



>> SG-450

在线检重秤
Online Check Weigher

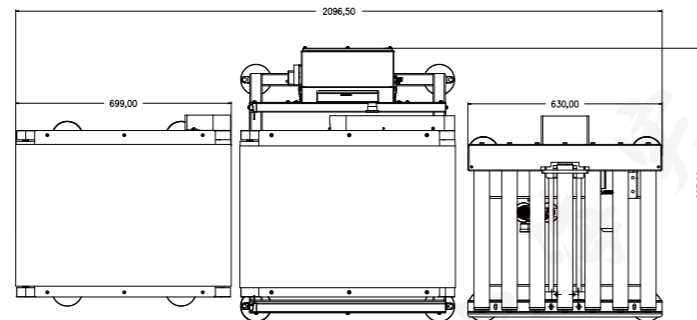
功能特点 Features

- ◎ 触摸屏人机对话
User-friendly operating system.
- ◎ 中英文操作界面
Chinese-English interface;
- ◎ 重量补偿功能
Weight of products can be compensated
- ◎ 柱状图和曲线图用来客户分析产品合格率
Product qualification ratio can be showed in line graphs and bar charts
- ◎ 三级操作权限管理, 支持自设密码
Three-level operation authority management, support self-set password
- ◎ 可 100 个产品配方预设存储
100 kinds of data can be stored with strong data statistics function
- ◎ 不合格产品多种剔除方式。
Support multi-methods of rejection



选配 Optional

- ◎ U 盘接口
USB Port
- ◎ RS485/232/网口通信接口
RS485/232/LAN connection port
- ◎ 声光报警灯
Sound-light alarming lamp



型号 Type	SG-450
称重范围 Weighing scope:	0.05-25Kg
产品限制 Restrictions of product:	L:550 W:450 H:3-400mm
分选精度 Accuracy:	±5/10g (视产品) (Depends on products)
分度值 Division Scale:	1g
皮带速度 Belt speed:	0-60m/min
最高速度 Highest speed:	40pcs/min
皮带宽度 Belt Width:	450mm
机器自重 Weight of Machine:	≈40Kg+70Kg+45Kg
电源 Power Supply:	AC 220V 50HZ
功率 Power:	≈400w
主要材质 Main Material:	SUS304 不锈钢 (Stainless Steel)

>> SG-600

在线检重秤
Online Check Weigher

功能特点 Features

- ◎ 触摸屏人机对话
User-friendly operating system.
- ◎ 中英文操作界面
Chinese-English interface;
- ◎ 重量补偿功能
Weight of products can be compensated
- ◎ 柱状图和曲线图用来客户分析产品合格率
Product qualification ratio can be showed in line graphs and bar charts
- ◎ 三级操作权限管理, 支持自设密码
Three-level operation authority management, support self-set password
- ◎ 可100个产品配方预设存储
100 kinds of data can be stored with strong data statistics function
- ◎ 不合格产品多种剔除方式。
Support multi-methods of rejection



选配 Optional

- ◎ U 盘接口
USB Port
- ◎ RS485/232/网口通信接口
RS485/232/LAN connection port
- ◎ 声光报警灯
Sound-light alarming lamp

型号 Type	SG-600
称重范围 Weighing scope:	0.05-50Kg
产品限制 Restrictions of product:	L:800 W:600 H:3-400mm
分选精度 Accuracy:	±20g 视产品 (Depends on products)
分度值 Division Scale:	1g
皮带速度 Belt speed:	0-40m/min
最高速度 Highest speed:	30pcs/min
皮带宽度 Belt Width:	600mm
机器自重 Weight of Machine:	≈80+50Kg
电源 Power Supply:	AC 220V 50HZ
功率 Power	≈500w
主要材质 Main Material:	SUS304 不锈钢 (Stainless Steel)

>> SG-D300

多级分选秤 Multi-level Weight Sorting Machine

▶ 功能特点Features

- ◎ 加强型不锈钢机架;全面防水设计。
Enhanced stainless steel rack; full waterproof design.
- ◎ 高精度数字称重传感器, 采用高速数字滤波处理和自动零点跟踪功能。
High-precision digital load cell adopts high-speed digital filter processing and automatic zero tracking.
- ◎ 分选区间及数量可根据客户需求定制
Sorting level range and quantity can be customized according to customer needs
- ◎ 产品特性的自动学习功能
Product features automatic learning function
- ◎ 50 组产品预设; 全面的产品编辑和储存
50 sets of product presets; comprehensive product editing and storage
- ◎ 内置报表统计, 随时掌握生产状况。
Built-in report statistics, keep abreast of production status.

▶ 选配Optional

- ◎ U 盘接口
USB Port
- ◎ RS485/232/网口通信接口
RS485/232/LAN connection port
- ◎ 声光报警灯
Sound-light alarming lamp



型号 Type	SG-D300
称重范围 Weighing scope:	5-3000g
产品限制 Restrictions of product:	L:350 W:300 H:3-200mm
分选精度 Accuracy:	±0.3-0.5g (视产品) (Depends on products)
分度值 Division Scale:	0.1g
皮带速度 Belt speed:	0-50m/min
最高速度 Highest speed:	60pcs/min
皮带宽度 Belt Width:	300mm
机器自重 Weight of Machine:	≈60Kg+150Kg
电源 Power Supply:	AC 220V 50HZ
功率 Power:	≈1000w
主要材质 Main Material:	SUS304 不锈钢 (Stainless Steel)

>> SG-T300

称重贴标一体机 Check Weigher and Labeling Machine Combo

▶ 功能特点Features

- ◎ 多种贴标方式可选择
Various labeling methods are available
- ◎ 机身结构设计紧凑, 拆卸清洁方便。
The fuselage structure design is compact, easy to disassemble and clean.
- ◎ 可动态生成条形码/二维码
Can dynamically generate barcode/QR code
- ◎ 贴标内容任意编辑
Labeling content can be edited at will
- ◎ 三级操作权限管理, 支持自设密码
Three-level operation authority management, support self-set password
- ◎ 可100个产品配方预设存储
100 product recipe presets can be stored

▶ 选配Optional

- ◎ U 盘接口
USB Port
- ◎ RS485/232/网口通信接口
RS485/232/LAN connection port
- ◎ 声光报警灯
Sound-light alarming lamp



型号 Type	SG-T300
称重范围 Weighing scope:	5-3000g
产品限制 Restrictions of product:	L:350 W:300 H:3mm以上
分选精度 Accuracy:	±0.3-0.5g 视产品 (Depends on products)
分度值 Division Scale:	0.1g
皮带速度 Belt speed:	0-30m/min
最高速度 Highest speed:	30pcs/min
皮带宽度 Belt Width:	300mm
打印方法 Print Methods:	热转印或直热式打印(Heat transfer or direct heating printing)
打印规格 Print Specifications:	最大打印宽度104毫米(Max Print Width)
机器自重 Weight of Machine:	≈200Kg
电源 Power Supply:	AC 220V±10% 50HZ
功率 Power:	≈300w
主要材质 Main Material:	SUS304 不锈钢 (Stainless Steel)

>> **SG-JS150**

金检重检一体机
Check Weigher with Metal Detector Combo

金重检一体机是专门针对全自动包装线配套设计的在线检测设备，既可同时实现对产品重量的精确控制以及金属异物检测，并自动将重量不合格和含有异物的产品从生产线中剔除；节约空间，是生产线末端检测及质量控制最有效的解决方案

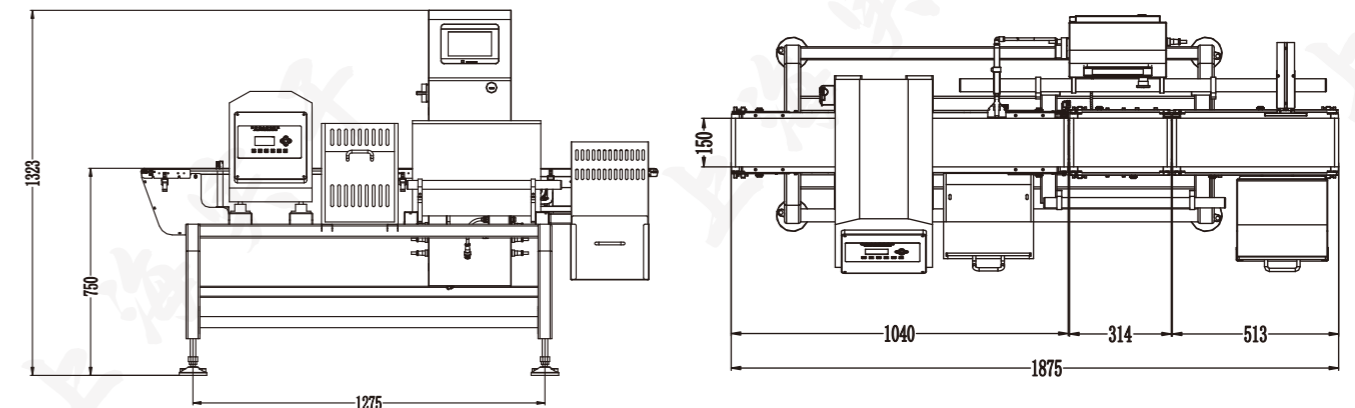
Checkweigher and metal detector combo Machine is an on-line inspection equipment specially designed for fully automatic packaging lines. It can not only achieve accurate control of product weight and detect metal, but also automatically remove products with unqualified weight and foreign objects from the production line. Small space used, it is the most effective solution for end-of-line inspection and quality control



设计优势 Design Advantages

- 1、结构轻巧，占地少，方便与生产线连接，检测灵敏度高，操作方便；可以在最大程度节省产线空间实现更多的质量控制。
Lightweight structure, less floor space, easy connection with production line, high detection sensitivity and easy operation; it can save production line space to realize more quality control.
- 2、技术先进，应用了最新的多频检测技术、物料效应自动消除技术、自动平衡技术和自适应调节技术为设备带来了行业内最简单的操作、最佳的环境适应能力和稳定性。
Advanced technology, applying the latest multi-frequency detection technology, automatic elimination of material effects, automatic balance technology and self-adaptive adjustment technology brings the industry's simplest operation, best environmental adaptability and stability to the equipment.
- 3、全不锈钢防震减震结构设计制作，保证长期稳定性和使用寿命。
All stainless steel shock absorber structure design and production to ensure long-term stability and service life
- 4、可以记录适合100种不同产品的检测参数，避免了由于人工差异导致的检测误差，避免更换产品的停工时间。
Can memory 100 different products of the detection parameters, to avoid the detection error caused by artificial differences, and the downtime of the replacement product .
- 5、低功耗设计和全密封设计以及设备的结构确保了防护效果电控部分防护效果好，达到 IP65 的防护等级，15 年以上使用寿命。
Low-power design, full-seal design equipment structure ensure the protective effect of the electronic control part is best, and the protection level reach IP65,can last more than 15 years

型号 Type		数字式金属检测检重机 Digital Checkweigher with Metal Detector Combo (尺寸规格可根据要求定制 Accept custom)	
型号 Type	SG-JS150	规格: Specifications	4010
检测孔宽度 Detection of hole width:	150mm	检测孔高度: Inspection hole height	100-200mm
检测灵敏度 Detection sensitivity:	空机状态下 In the empty state: 高 (H) 100mm 铁 Fe≥φ0.8mm, 不锈钢 SUS≥φ1.2mm 高 (H) 120mm 铁 Fe≥φ1.0mm, 不锈钢 sus≥φ1.8mm 高 (H) 150mm 铁 Fe≥φ1.2mm, 不锈钢 sus≥φ2.0mm 高 (H) 200mm 铁 Fe≥φ1.5mm, 不锈钢 sus≥φ2.5mm		
有效检测孔宽度 Effective hole width detection:	150mm		
有效检测孔高度 Effective hole detection level:	100-200m		
称重量程范围 Weighing scale range:	5-500g		
称重精度 Weighing accuracy:	±0.1g 视产品 (Depends on products)		
传送带高度 Conveyor height:	750mm (±50mm)		
输送能力 Transmission capacity:	10kg/times次	传送方向 Transfer direction:	由左向右 From left to right
传送带最大速度 Conveyor belt maximum speed:	25m/min	传送带材质 Material for conveyor belt:	食品级 PU 带 Food grade PU belt
防护等级 Protection grade:	IP65		
显示及操作方式 Display and operation mode:	LED 液晶平面按键输入 (LED FLAT KEY INPUT)		
机器自重 Weight of Machine:	≈240KG		
电源要求 Power supply requirements:	AC 220V 50HZ		
功率 Power:	≈300W		
外形尺寸 Overall dimensions:	About L2267XW589XH1500mm 最终按照设计图为准 (Design drawing prevail)		



>> SG-M400

数字式全金属检测机
Digital All-metal Detector Machine

▶ 产品描述 The product description

全自动数字式金属检测机系统可以识别各种磁性以及非磁性金属（如铁、不锈钢、铝等），即便是细微金属内嵌于产品中也可以被检测识别到。

Automatic digital all-metal detector machine system can identify the various magnetic and nonmagnetic metal (such as iron, stainless steel, aluminum, etc.), even a tiny metal embedded in the product can also be tested to recognize.



型号 Type	数字式全金属检测机 Digital All-metal Detector Machine (尺寸规格可根据要求定制Accept custom)		
检测灵敏度 Detection sensitivity	空机状态下 Empty state 高 (H) 100mm:铁 Fe≥φ0.8mm, 非铁Non-Fe≥φ1.5mm, 不锈钢 SUS≥φ1.5mm 高 (H) 120mm 铁 Fe≥φ0.8mm, 非铁Non-Fe≥φ1.5mm, 不锈钢 sus≥φ2.0mm 高 (H) 150mm 铁 Fe≥φ1.0mm, 非铁Non-Fe≥φ1.5mm, 不锈钢 sus≥φ2.0mm 高 (H)200mm 铁 Fe≥φ1.2mm, 非铁Non-Fe≥φ2.0mm, 不锈钢 sus≥φ2.5mm		
有效检测孔宽度 Effective hole width detection:	150-1000mm 根据要求定制 (Accept custom)		
有效检测孔高度 Effective hole detection level:	80-500mm 根据要求定制 (Accept custom)		
传送带最大速度 Conveyor belt, maximum speed:	25m/min	传送带材质: Material for conveyor belt	食品级 PU 带 Food grade PU belt
防护等级 Protection grade:	IP65		
显示及操作方式 Display and operation mode:	LED 液晶平面按键输入 LED flat key input		
机器自重 Deadweight of Machine:	≈120Kg		
电源要求 Power supply requirements:	AC 220V 50Hz		
功率 Power:	≈200w		
报警方式 Alarm way:	检测到金属, 报警皮带停止或自动剔除 Alarm and belt stop, or automatically reject.		
外形尺寸 Overall dimensions:	About L1500XW850XH950mm 最终按照设计图为准 (Design drawing prevail)		

>> SG-ML80

管道式金属检测机
Pipeline Metal Detector

▶ 产品描述 The product description

管道式金属检测机属于全封闭式检测方式，主要用于包装前的金属检测，可检测粉料、颗粒、膏体、液体。能有效识别物料中各种磁性以及非磁性细小金属（如铁、不锈钢、铝等）。

The pipeline metal detector is a fully enclosed detection method, mainly used for metal detection before packaging, and can detect powder, granules, paste, and liquid. It can effectively identify various magnetic and non-magnetic fine metals (such as iron, stainless steel, aluminum, etc.) in materials.



型号 Type	SG-ML80	SG-ML100	SG-ML150	SG-ML200
管内径 Pipe inner diameter:	80	100	150	200
检测灵敏度 Detection sensitivity	铁 Fe (φ)	0.6	0.8	1.0
	SUS 304 (φ)	1.2	1.5	2.0
管道通过流量t/h Pipe flow t/h:	2	4	8	15
机器自重 Deadweight of Machine:	120kg	140kg	160kg	180kg
产品预设数量 Product default quantity:	100种 100 Type			
被检测产品形态 Detected product form:	粉料、小颗粒、液体、膏体 Powder, small particles, liquid, paste			
气源要求 Air source requirement:	≥0.5MPA			
报警方式 Alarm Way:	检测到金属, 报警并自动剔除 When metal is detected, it will be alarmed and automatically rejected			
管道材料 Pipe material:	PP			

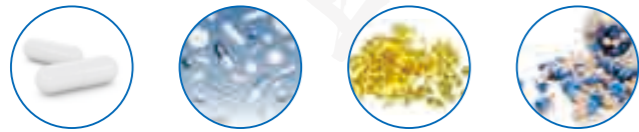
>> SG-YJ60

胶囊药片金属检测机 Capsule and Tablet Metal Detector

▶ 产品描述 The product description

全自动数字式金属检测机系统可以识别各种磁性以及非磁性金属（如铁、不锈钢、铝等），主要用于制药行业的包装前的金属检测，可检测药片、软硬胶囊、丸剂等固态药品，即便是细微金属嵌于产品中也可以被检测识别到。

The fully automatic digital metal detector system can identify various magnetic and non-magnetic metals (such as iron, stainless steel, aluminum, etc.), and is mainly used for metal detection before packaging in the pharmaceutical industry. It can detect solid state such as tablets, soft and hard capsules, and pills. For pharmaceuticals, even tiny metals embedded in products can be detected and identified.



型号Model	SG-YJ60
进料口高度及尺寸Inlet Height:	高度: 770-930mm 料口尺寸Port size: Φ76mm
出料口高度及尺寸Outlet Height:	高度: 700-860mm 料口尺寸Port size: Φ51mm
有效通过尺寸Effective passing size:	W70*H20mm
最大生产量Output Capacity(pcs/h):	50万pcs/每小时
检测灵敏度Detection sensitivity:	Φ铁Fe0.4mm ; Φ不锈钢 SUS0.6mm
机器自重Deadweight of Machine:	75kg
剔除方式Rejection way:	翻板剔除 (Flip culling)
工作电压Working power supply:	220V/110V, 50/60Hz
设备外形尺寸Dimension:	1115*550*(1280-1440)mm

>> SG-JH-400

铝箔包装金属检测机 Aluminum Foil Packaging Metal Detector

▶ 产品描述 The product description

本金属检测机旨在通过传感器检测不同强度磁场中金属固有特性（相对磁导率）之间的差异。该产品最显著的特点是能够检测铝箔包装中的金属（铁、铁合金和不锈钢）。

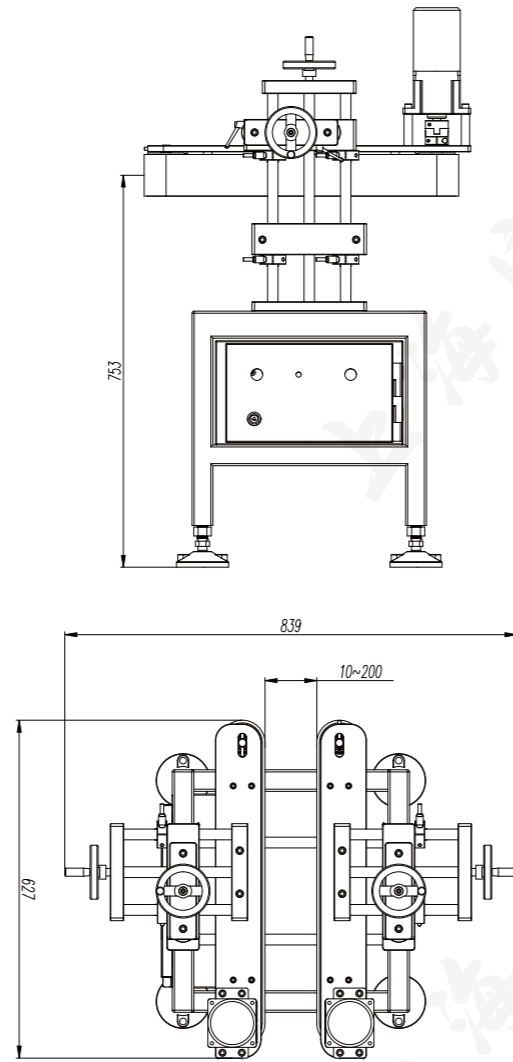
This metal detector is designed to detect the difference between the inherent properties (relative magnetic permeability) of metals in magnetic fields of different strengths by means of sensors. The most notable feature of this product is the ability to detect metals (iron, ferroalloys and stainless steel) in aluminum foil packaging.



型号Type	SG-JH250	SG-JH350	SG-JH450	SG-JH500
皮带宽度 Belt width:	250mm	350mm	450mm	500mm
皮带速度 Belt speed:	10-60m/min可调 (adjustable) 无极调速 (Stepless speed regulation)			
通过高度 Detection Height:	H30mm-H150mm 最高 (Highest 150mm)			
能检测的金属 metals that can be detected:	Fe,SUS304 磁性物质材料 (magnetic material)			
频率 Frequency:	低频率 (low frequency)			
防水等级 Waterproof level:	IP66			
最大产品重量 Max product weight:	3kg	3kg	5kg	5kg
机器自重 Deadweight of Machine:	80kg	85kg	100kg	120kg
剔除类型 Rejection way:	气吹, 下坠, 推板, 拨杆 (须另配) Air blow, drop, push plate, lever (Need order separately)			

>> SG-JC80

夹持输送机
Clamping Conveyor



型号 Type	SG-JC80
夹持宽度 Weighing scope:	0-200mm
夹持高度 Holding Height:	20-250mm
皮带速度 Belt speed:	0-60m/min
最高速度 Highest speed:	80pcs/min
皮带宽度 Belt Width:	80mm
机器自重 Weight of Machine:	≈50Kg
电源 Power Supply:	AC 220V±10% 50HZ
功率 Power:	≈200w
主要材质 Main Material:	SUS304不锈钢 (Stainless Steel)

>> 生产流程 Manufacturing process



切割cutting



钻孔 drilling



零件组装 Parts assembly



打磨polishing



拉丝 Wire drawing



电器安装 Electrical installatio



调试 debugging



成品 product

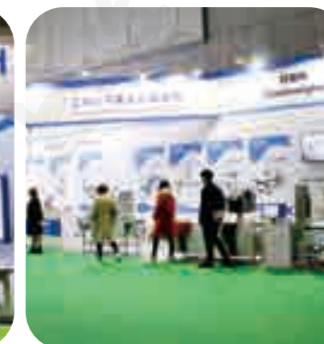


装箱 packing



物流 logistics

>> 展会 Exhibition



>> 倾情感谢 Express gratitude



>> 常用剔除方式 Common rejection methods

<p>翻板式 Flip culling</p> <p>挡板张开使不合格物品分离, 适合小包物, 厚10mm以下, 如药片、冲剂、类似物品。</p>	
<p>气吹式 Air blow out</p> <p>利用强气流吹动分离不合格产品, 适合高速小包物, 轻巧、物品。</p>	
<p>下坠式 Drop culling</p> <p>输送板下坠使得分离不合格产品, 面积大, 其它剔除不易滑动或较薄, 容易损坏的物品。</p>	
<p>推板式 Push plat rejection</p> <p>气缸推板迅速运动分离不合格产品, 常见的剔除方式、盒装、包状厚的产品基本都适合, 通常是设备的标配。</p>	
<p>拨杆式 Shift level rejection</p> <p>拨杆分离不合格产品, 等同推板式、比较常见的剔除方式, 这种配置使剔除部分体积加长。</p>	