

REV.	MODIFICATION	DATE	DRAW
A	INITIAL RELEASE	2014.11.05	Ann
B	ECN-2015034	2015.10.28	Vincent

HALOGEN FREE LEAD FREE

- NOTES:
- MATERIAL: HOUSING: THERMOPLASTIC, BLACK COLOR, FLAME RESISTANCE UL94-V0. CONTACT: COPPER ALLOY. SOLDER PEGS: COPPER ALLOY.
 - FINISHED: CONTACTS: GOLD PLATING ON CONTACT AREA.(SEE P/N) 50~150u" MATTE TIN PLATING ON THE SOLDER AREA. 50~150u" NICKEL PLATING ALL OVER. SOLDER PEGS: 50~120u" MATTE TIN PLATING ALL OVER. 50~150u" NICKEL UNDERPLATED ALL OVER.
 - MSL LEVEL: MSL(MOISTURE SENSITIVITY LEVEL)=1.
 - PART NUMBER: NASE0-B67XX-XX18
- A: REEL W:44.0mm. 18:CONNECTOR HEIGHT 1.80mm
 O: NUMBER ZERO PACKING
 TP:TAPE REEL(NORMAL DIRECTION)
 TS:TAPE REEL(REVERSE DIRECTION)
 PRODUCT SERIES:B SERIES XX:CONTACT AREA GOLD PLATING
 01:Gold Flash
 05:5U" Min.
 10:10U"Min.
 15:15U"Min.

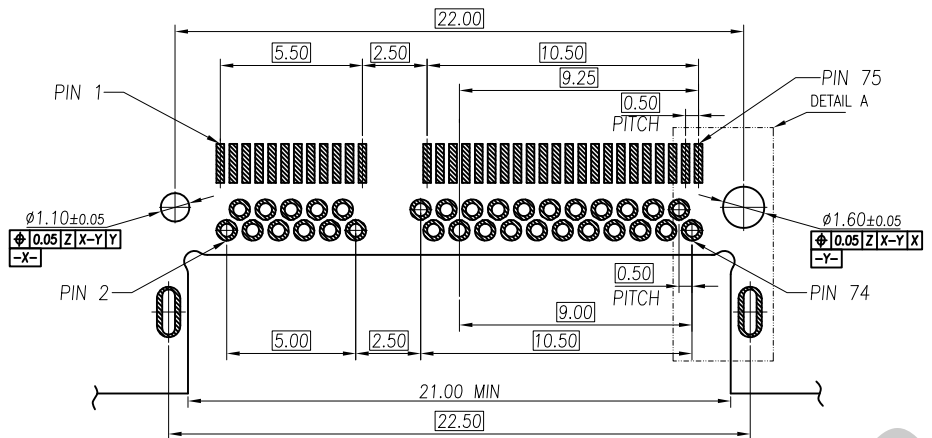
LINKTEK

DIMENSION IN mm [Inch]	PROD. SPEC. SP-NXXXXXX	ARGOSY RESEARCH INC.		
TOLERANCE UNLESS OTHERWISE SPECIFIED	PKG. SPEC. PK-NASXX-XXX	TITLE: M.2(NGFF) CONNECTOR SINKING E KEY 1.8H		
.X±0.35 X*± 1*	APR. Tony 2015.10.28	FILE NO. ARG-215	DWG NO. NASE0-B67XX-XX18	
.XX±0.25 .X*±	CHK. Leon 2015.10.28	PROJ.	CUSTOMER DRAWING	
.XXX± .XX*±	DRA. Vincent 2015.10.28	SIZE A4	SCALE 1:1	SHEET 1/3 REV. B C

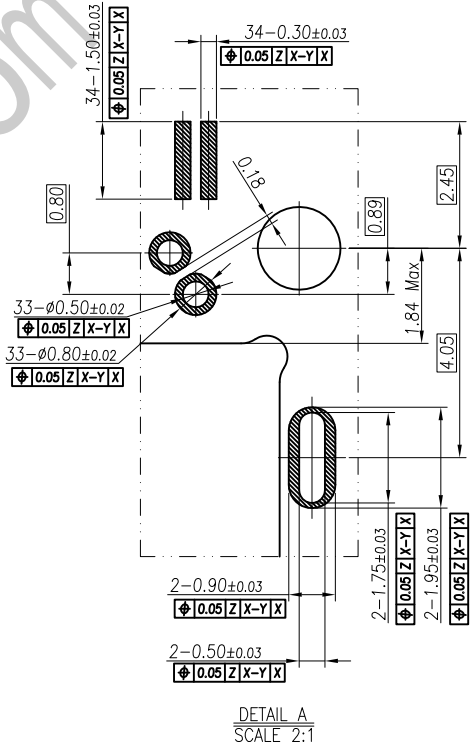
REV.	MODIFICATION	DATE	DRAW
A	INITIAL RELEASE	2014.11.05	Ann
B	ECN-2015034	2015.10.28	Vincent

HALOGEN FREE LEAD FREE

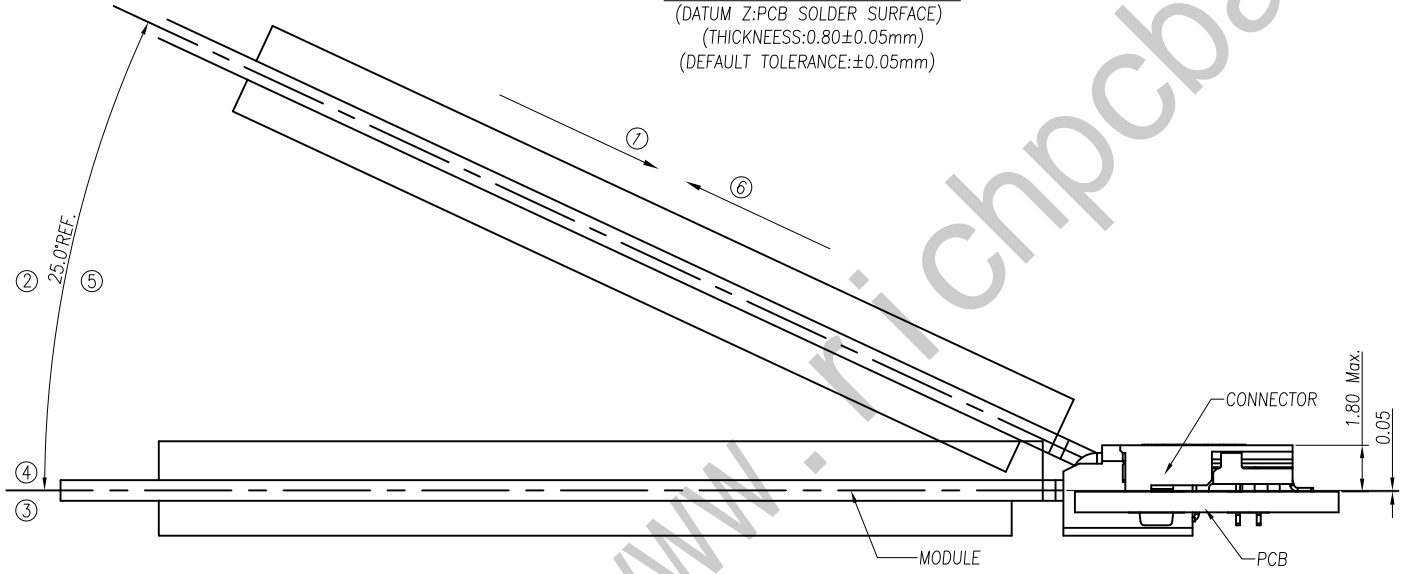
A
B
C
D
E
F



RECOMMEND PCB LAYOUT(TOP VIEW)
(DATUM Z:PCB SOLDER SURFACE)
(THICKNESS:0.80±0.05mm)
(DEFAULT TOLERANCE:±0.05mm)



DETAIL A
SCALE 2:1



HOW TO MATE AND UNMATE

MATING: ① INITIAL INSERTING(25°) → ② ROTATING → ③ FIXED
UNMATING: ④ UNFIXED → ⑤ ROTATING → ⑥ WITHDRAWING

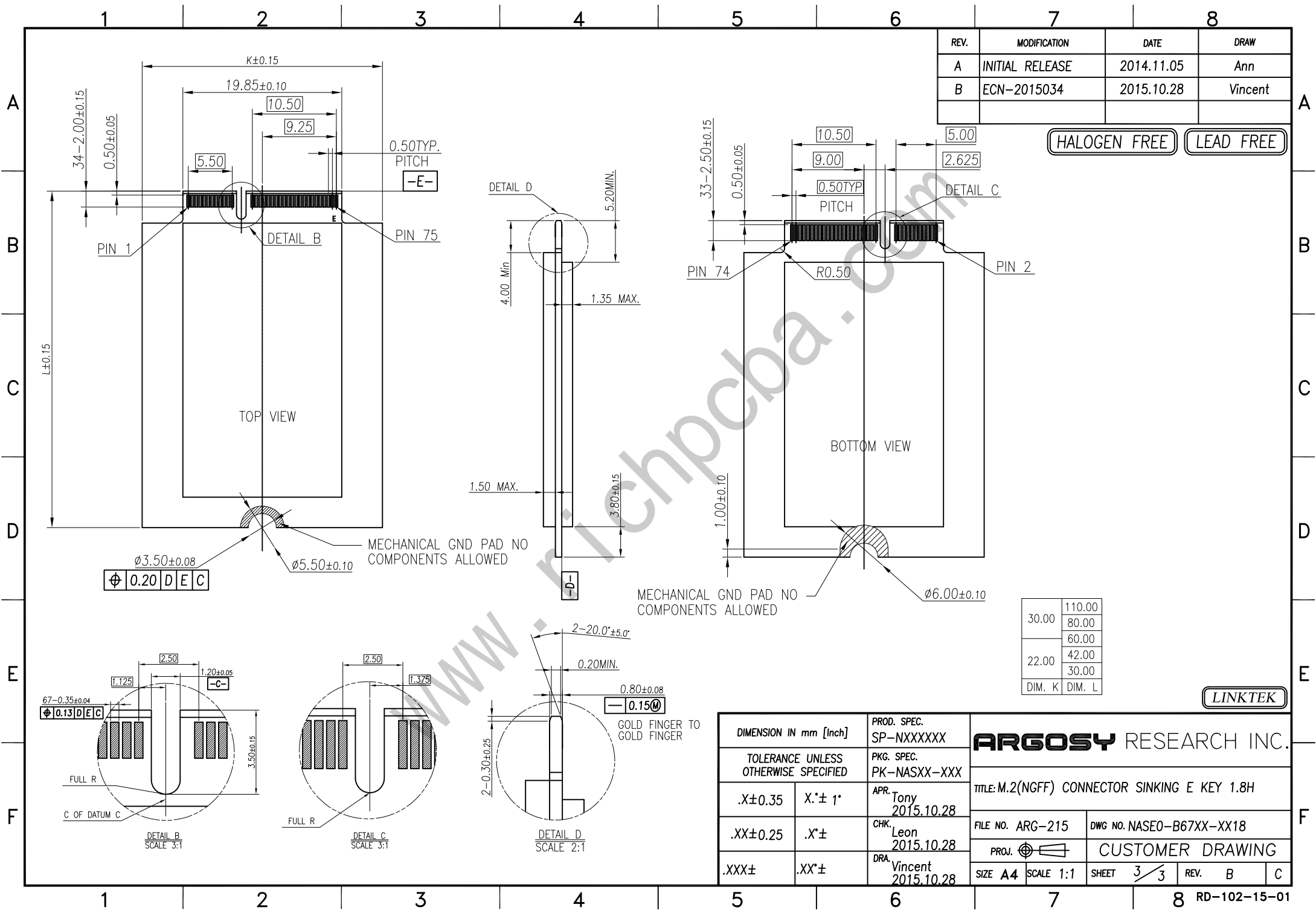
DIMENSION IN mm [Inch]		PROD. SPEC. SP-NXXXXXX
TOLERANCE UNLESS OTHERWISE SPECIFIED		PKG. SPEC. PK-NASXX-XXX
.X±0.35	X.*± 1*	APR. Tony 2015.10.28
.XX±0.25	.X*±	CHK. Leon 2015.10.28
.XXX±	.XX*±	DRA. Vincent 2015.10.28

ARGOSY RESEARCH INC.

TITLE: M.2(NGFF) CONNECTOR SINKING E KEY 1.8H

FILE NO. ARG-215	DWG NO. NASE0-B67XX-XX18
PROJ.	CUSTOMER DRAWING
SIZE A4	SCALE 1:1
SHEET 2/3	REV. B

LINKTEK



REV.	MODIFICATION	DATE	DRAW
A	INITIAL RELEASE	2014.11.05	Ann
B	ECN-2015034	2015.10.28	Vincent

HALOGEN FREE LEAD FREE

30.00	110.00
	80.00
	60.00
22.00	42.00
	30.00
DIM. K	DIM. L

LINKTEK

DIMENSION IN mm [Inch]		PROD. SPEC. SP-NXXXXXX
TOLERANCE UNLESS OTHERWISE SPECIFIED		PKG. SPEC. PK-NASXX-XXX
.X±0.35	X'± 1"	APR. Tony 2015.10.28
.XX±0.25	.X'±	CHK. Leon 2015.10.28
.XXX±	.XX'±	DRA. Vincent 2015.10.28

ARGOSY RESEARCH INC.			
TITLE: M.2(NGFF) CONNECTOR SINKING E KEY 1.8H			
FILE NO. ARG-215	DWG NO. NASE0-B67XX-XX18		
PROJ.	CUSTOMER DRAWING		
SIZE A4	SCALE 1:1	SHEET 3/3	REV. B C