

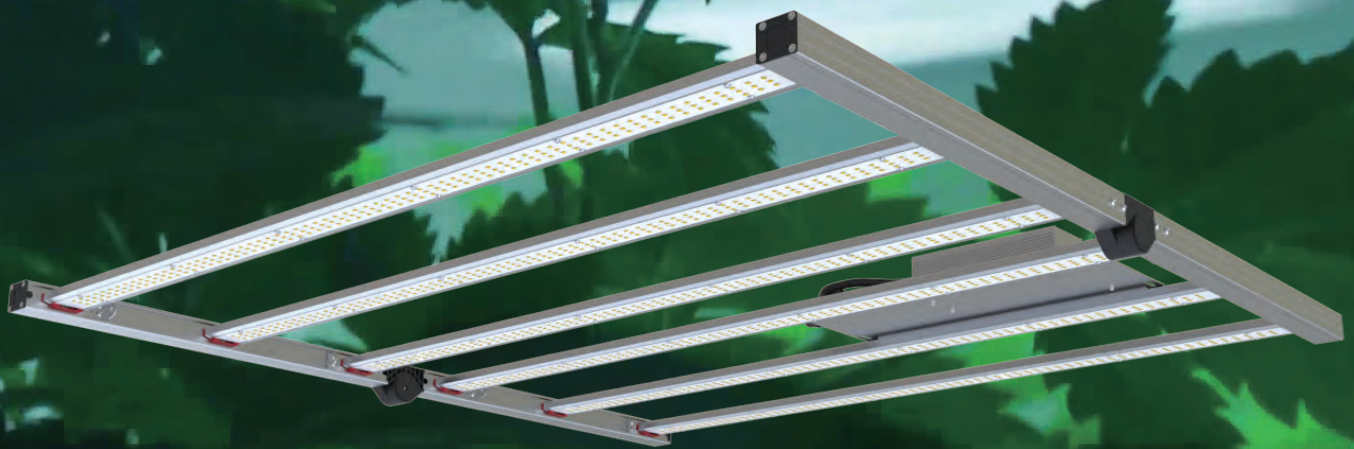
LED

GROW

LIGHT

PhotonGro 2

EL-PG2-600W



**E-LITE** semicon

[Hello@elitesemicon.com](mailto:Hello@elitesemicon.com) [www.elitesemicon.com](http://www.elitesemicon.com)

# PhotonGro 2

## EL-PG2-600W

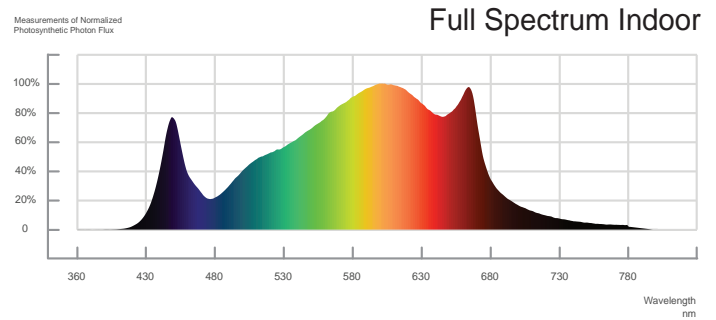
**E-LITE** semicon

Hello@elitesemicon.com www.elitesemicon.com

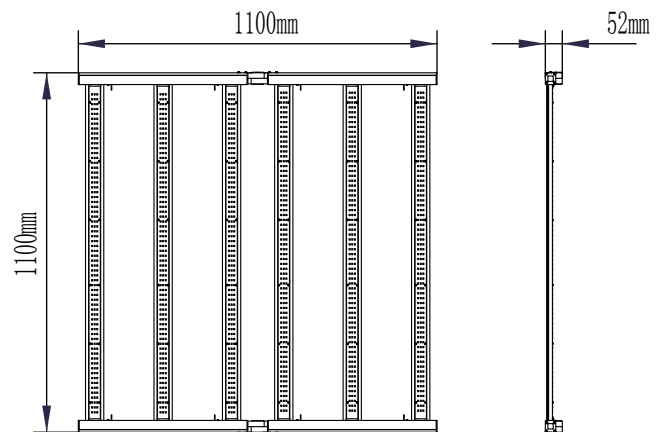
### SPECIFICATIONS

Spectrum	Full Spectrum Indoor
PPF(400-700nm)(umol/s)	1620 $\mu\text{mol/s}$
Average PPFD @ 6"	1080 $\text{umol/J/m}^2$
Average PPFD @ 12"	880 $\text{umol/J/m}^2$
Efficacy	2.7 $\mu\text{mol/J}$ @ 277 AC
AC Input Power	600W @ 277V AC
AC Input Voltage	120-277V AC, 50/60Hz
Power Per Module	100W
Light Distribution	120°
Mounting Height	6"-12"/15.2-30.5cm Above Canopy
Thermal Management	Passive
Max. Ambient Temperature	-40 to 45°C/-40 to 113°F
Dimming	0-10V
Total Harmonic Distortion (THD)	< 10%
Lifetime	L90: > 36,000hrs
IP Rating	IP66
Fixture Weigh with Driver	12Kg
Fixture Weigh wite W/O Driver	8.4Kg
Certifications	ETL,DLC (Pending)
Warranty	5 Year Standard Warranty
Input Voltage	AC 100~277V, AC 347~480V
Mounting Hardware	Hook Mount/Chain Mount

### SPECTRA



### DIMENSIONS



(Pending)

**E-LITE** semicon

www.elitesemicon.com  
Hello@elitesemicon.com

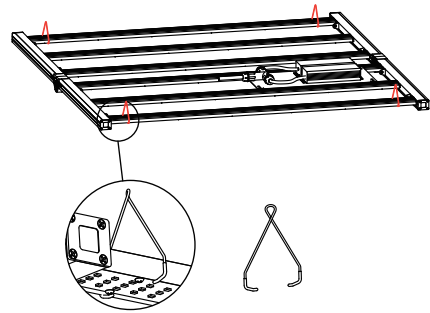
## MOUNTING INSTRUCTIONS

### MOUNTING

PhotonGro 2 Series fixtures ship with your choice of hanging hardware. To mount your PhotonGro 2 fixture, start by identifying a suitable support structure to hang your fixture from. Common support structures include pallet racks, rolling tables, Unistrut, trusses, and structural channel. For optimal results, two people are recommended to mount the fixtures.

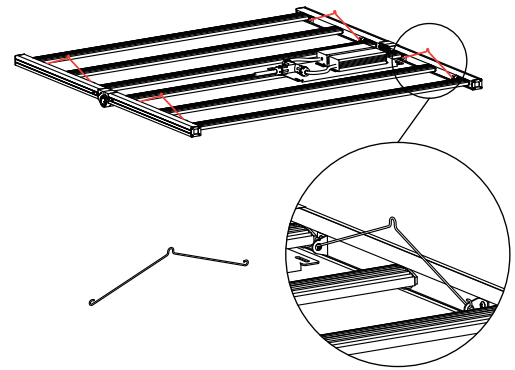
#### Hook Mount

- 1 Once all four brackets are in place, use two people to lift the fixture up to the mounting hardware. Slightly separate mounting hardware until the black hooks slide over the light bar to securely grip the bar.



#### Hook Mount

- 2 On the inside of the PhotonGro 2 module there are four lancet openings. The hook hanger will slide into the inside-two hook openings. Place hook hanger under opening, and gently pull the hanger up from the center of the hanger until the loops snap into place.



#### Chain Mount

- 3 Hook the safety hook on the threaded eye bolts. Fix the steel cable on the ceiling.

