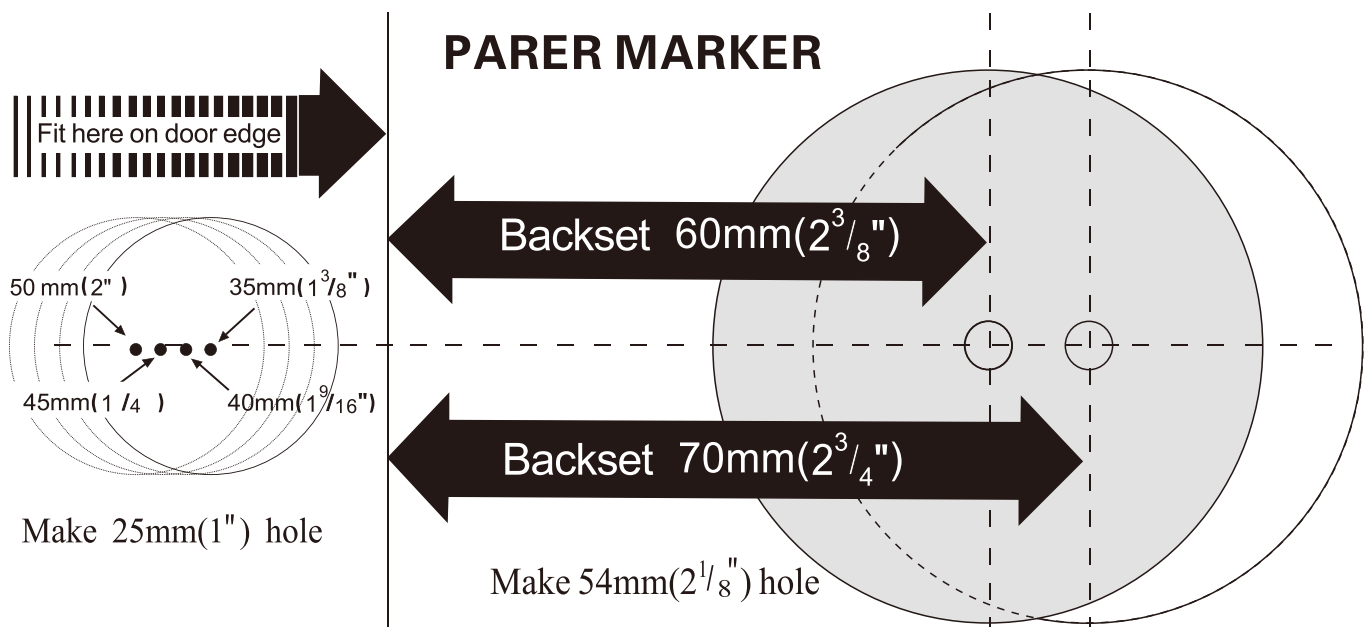
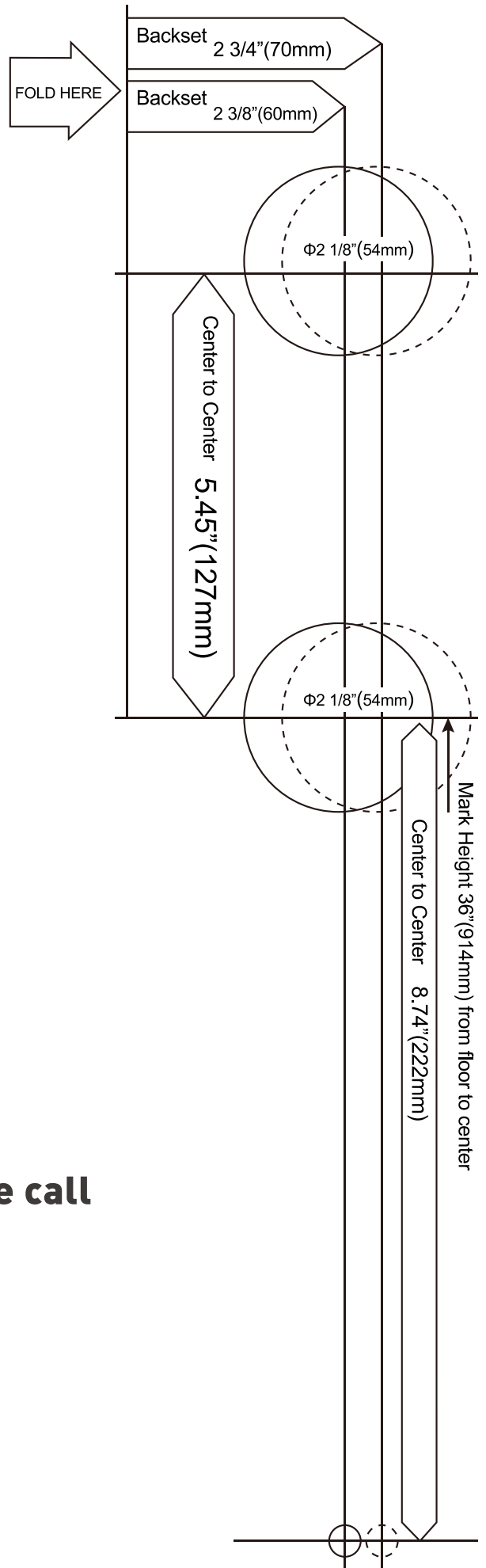


DOOR HANDLE

HOW TO INSTALL THIS TUBULAR LOCK WITH KNOBS OR LEVERS

<p>1 MARK DOOR & BORE HOLES</p> <ul style="list-style-type: none"> • Fold template over edge of door, mark site 60mm or 70mm of holes. • Bore $\Phi 54$mm and $\Phi 25$mm holes through door. • Cut out a 58x26x3mm base. 	<p>2 INSTALL LATCH</p> <ul style="list-style-type: none"> • Adjustable latch for 60mm or 70mm ACCORDING TO THE SITE OF LOCK HOLE 	<p>3 INSTALL EXTERIOR HANDLE MECHANISM:</p> <ul style="list-style-type: none"> • Place exterior handle with stems and square spindle into latch as shown. Press tightly against door face.
<p>4 INSTALL INTERIOR KNOBS:</p> <ul style="list-style-type: none"> • After exterior handle is in position, install interior knob and tighten screws. Insert screw through washer and into bottom hole tighten firmly. 	<p>5 INSTALL STRIKE</p>	<p>6 INSTRUCTION FOR ADJUSTABLE LATCH</p> <p>The cam is pushed fully to the right for 70mm backset. (During the adjustment, keeping two teeth of the cam to forward always.)</p>





**For customer service please call
(800) 315-9607**

ONLINE CUSTOMER SERVICE

Facebook #:csservice168@163.com

Skype #:customerservice@products

Email-address:csservice168@163.com

