



**Stainless Steel Mechanical  
Keyless Deadbolt**

**MKD 001**

**For Customer Service please call:**

**(1)8003159607**

**[www.elemakelocks.com](http://www.elemakelocks.com)**



**Elemake keeps on working hard to provide customers top-grade quality hardware at affordable price. Gracing customers' doors with stylish designs and excellent craftsmanship since 1976, Elemake is always dedicated to making your life more safe and stylish.**

**Series-MKD Locks are a family of high grade stainless steel mechanical keyless deadbolts. They are ideal for residential homes, apartment buildings, offices, schools, hospitals, and other applications where restricted access to an area is needed.**

**All of Elemake MKD series keyless deadbolt products come with a Lifetime Mechanical Warranty.**

## **Installation Video-----**

[https://youtu.be/8\\_JPu2UuO34](https://youtu.be/8_JPu2UuO34)



Or

<http://www.elemakelocks.com//static/source/MKD001.mp4>

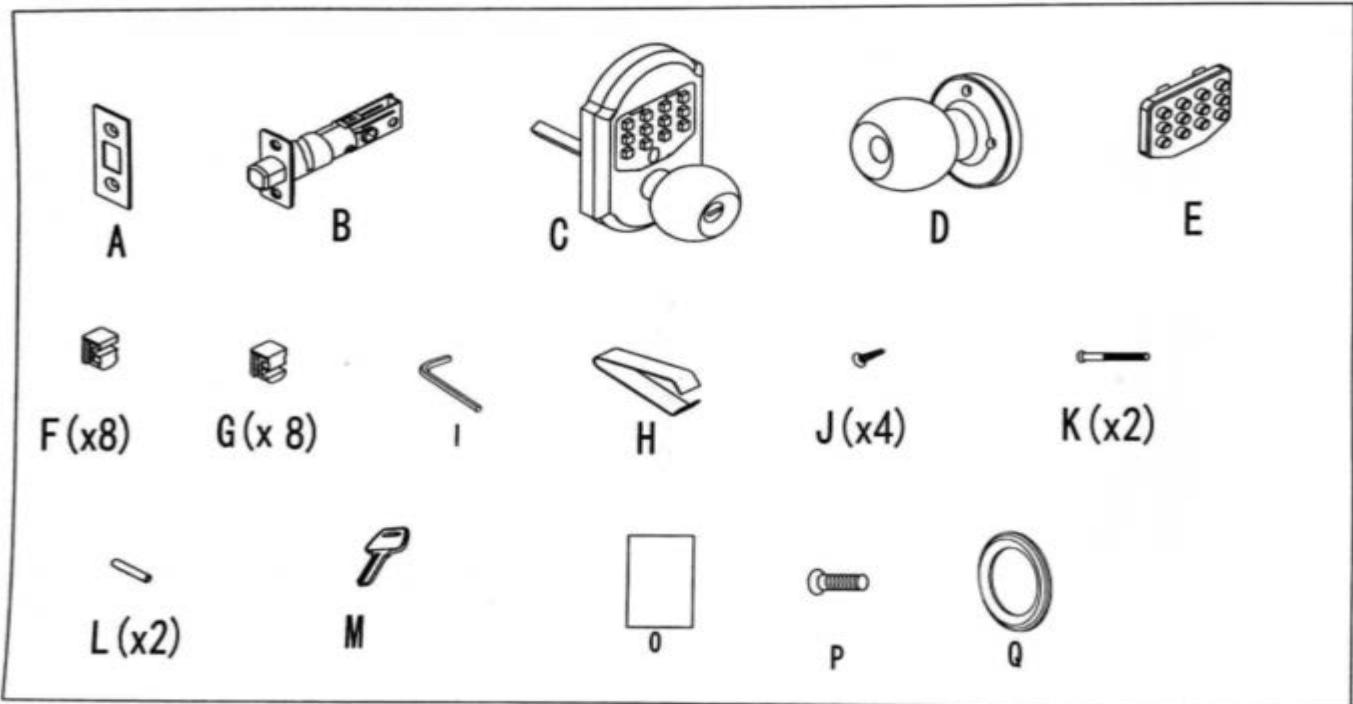


## **Contents:**

<b>1.</b>	<b>Structure and dimensions.....</b>	<b>1-2</b>
1.1	Parts in the box.....	1
1.2	Assembly Drawing.....	2
1.3	Drilling Dimensions.....	2
<b>2.</b>	<b>Installation Instructions.....</b>	<b>3-8</b>
2.1	Step 1: Striker and latch installation.....	3-4
2.2	Step 2: Changing the combination.....	4-6
2.3	Step 3: Front cover and back cover installation.....	6-7
2.4	Step 4: Testing the combination and function.....	8
<b>3.</b>	<b>How to operate the lock.....</b>	<b>9-12</b>
3.1	Opening the door from exterior when locked.....	10
3.2	Opening the door from interior when locked.....	10
3.3	Locking the door.....	10
3.4	Resetting the lock after inputting the incorrect combination.....	10
3.5	The Lock stays unlocked until the latch is lifted.....	10
3.6	Factory set Combination.....	10
3.7	Using the key to operate the lock.....	10
3.8	Changing the combination (User's code).....	10-12
<b>4.</b>	<b>Quality Assurance Policy.....</b>	<b>13</b>
<b>5.</b>	<b>Contact us.....</b>	<b>14</b>

# 1. Structure and dimension

## 1.1 Parts in the box



Item#	P/N	Component Name	Quantity
1	A	Strike Plate	1
2	B	Latch (Compatible 2-3/4" / 2-3/8" backset)	1
3	C	Front Cover	1
4	D	Back Cover	1
5	E	Cover Plate	1
6	F	Code Tumblers	6
7	G	Non-Code Tumblers	6
8	H	Allan Wrench	1
9	I	Tweezers	1
10	J	Wood Screw	2
11	K	Long Machine Screw M4*50 (Options for hex head screws and Phillips screws supplied)	2/2
12	L	Threaded Tube	2
13	M	Key	3
14	N	User's Manual/Drilling template	1
15	O	Short Machine Screw	1
16	P	Back Cover Gasket(plastic)	1

When you receive the lock, the 2 threaded tubes (L) come pre-installed to the front cover. This ensures correct installation.

## 1.2 Assembly drawing

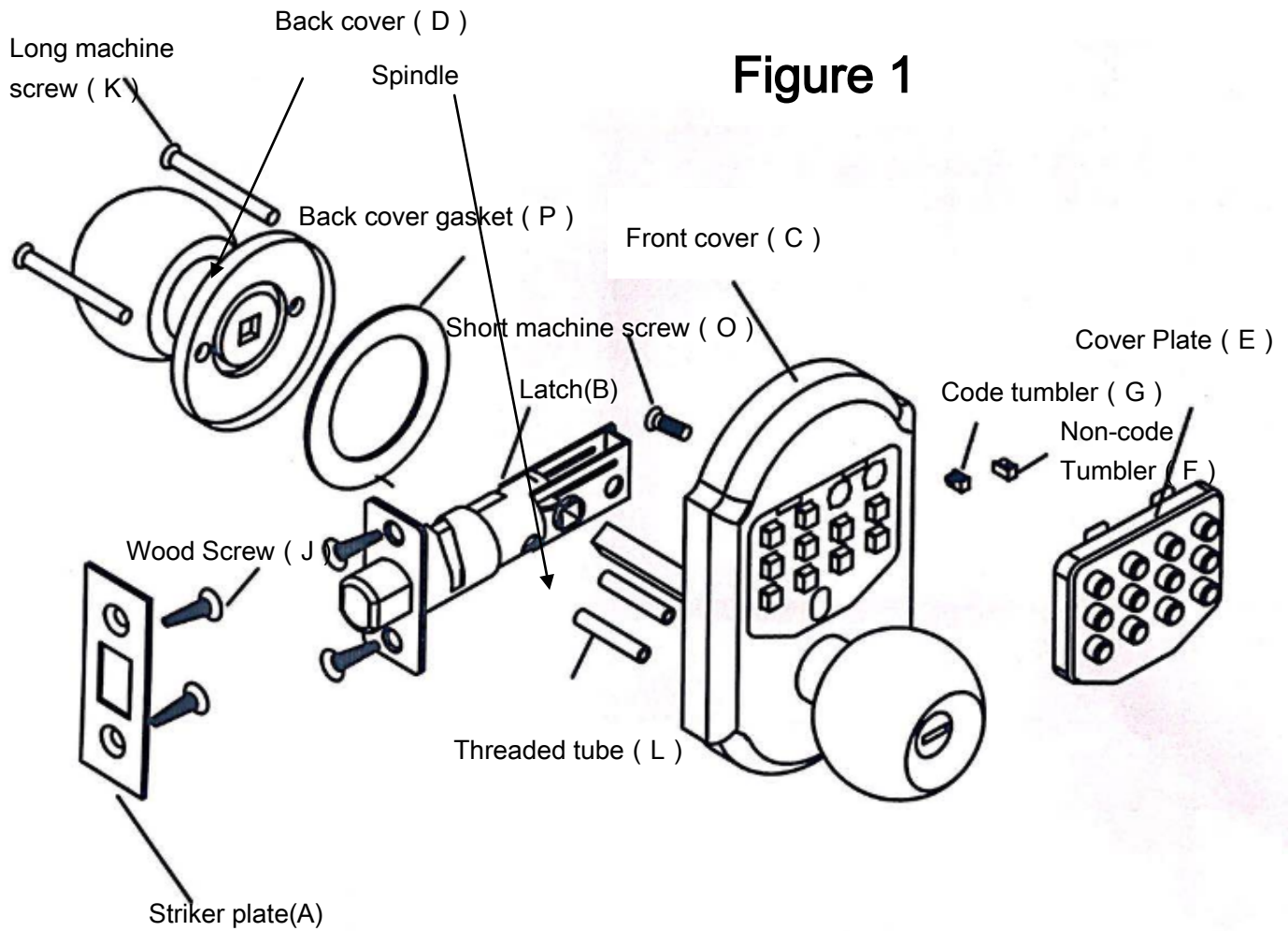


Figure 1

## 1.3 Drilling Dimensions

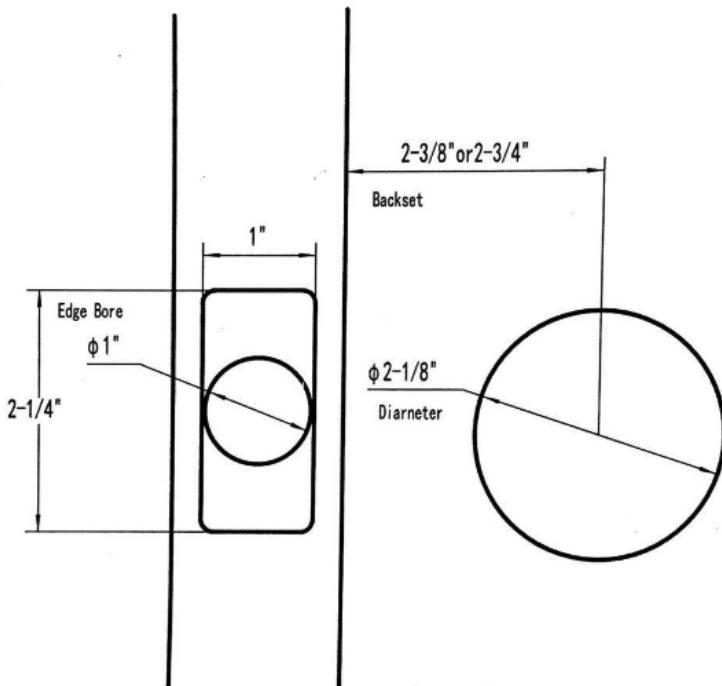


Figure 2

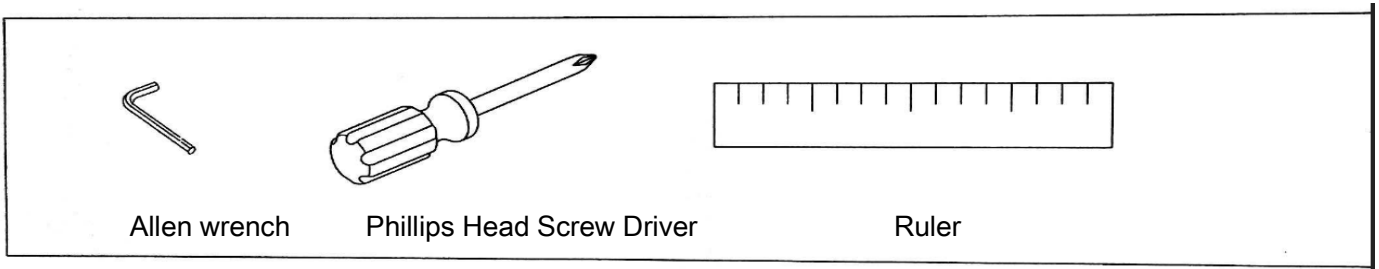
The deadbolt fits most standard pre-drilled doors. If your door has not been pre-drilled, we have included a drilling template for your convenience.

## 2. Installation Instructions

This lock can be installed in the 3 easy steps listed below.

**IMPORTANT: Do NOT close the door until you have fully completed installation and TESTED and VERIFIED the entry code according to step 2.4.**

### Tools needed

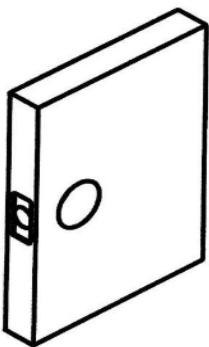


### 2.1 Step 1. Striker and Latch Installation

#### 2.1.1 Preparation of latch and door

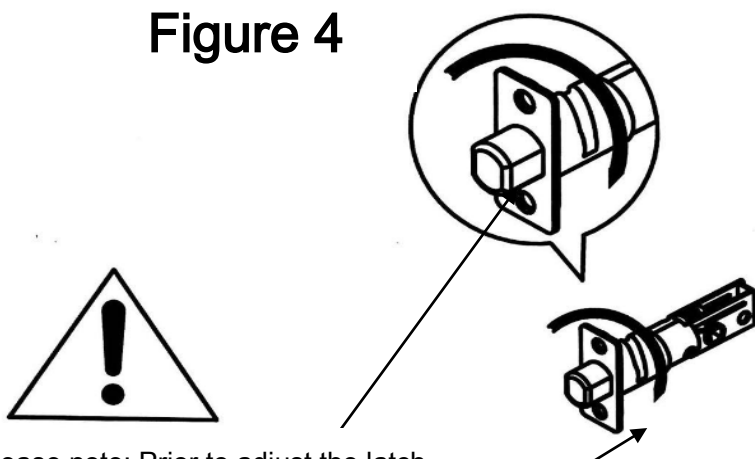
- a. Prepare the door---  
Use a standard pre-drilled door or drill the holes according to the drilling templates ( Figure 3 ) .
- b. Prepare the latch (see figure 4)---  
Adjust the latch length to adapt to the door (2-3/4 or 2-3/8 backset). First turning the rectangle hole of the latch. This will allow you to extend the latch. Once the latch is extended, the backset length can be adjusted by twisting the head of the latch 180°.

**Figure 3**



Please prepare the door---  
Use standard prepared door or drill the hole according to drilling templates

**Figure 4**



Please note: Prior to adjust the latch length, please turn the rectangle hole to extend the latch, or cannot be

Turn the latch head 180° to adjust the length to be 2-3/4 or 2-3/8 backset

## 2.1.2 Install the striker and latch onto the door(Figure 5)

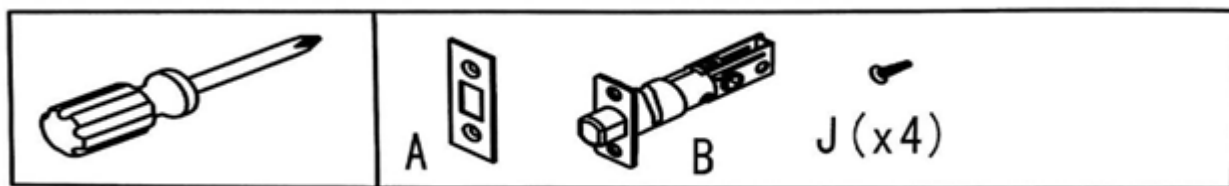
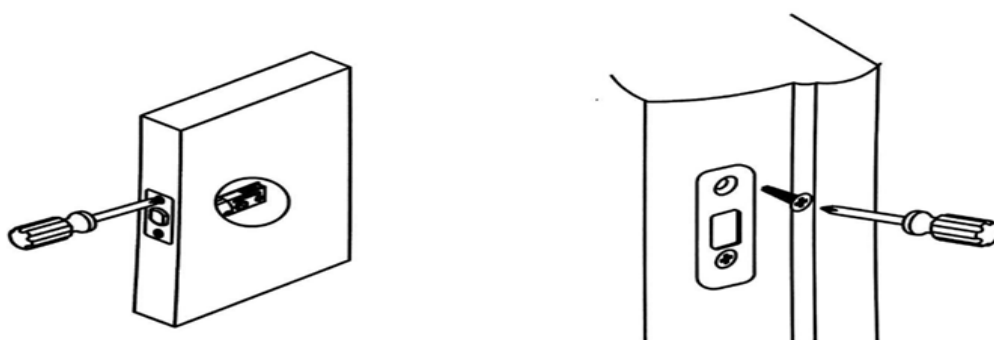
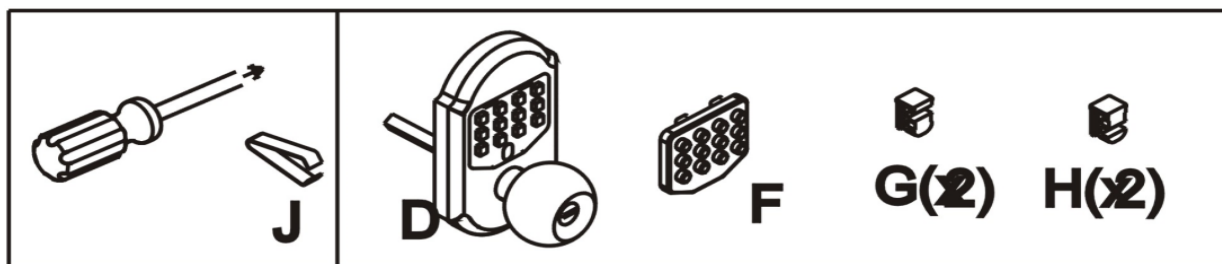


Figure 5



## 2.2 Step 2. Change the combination



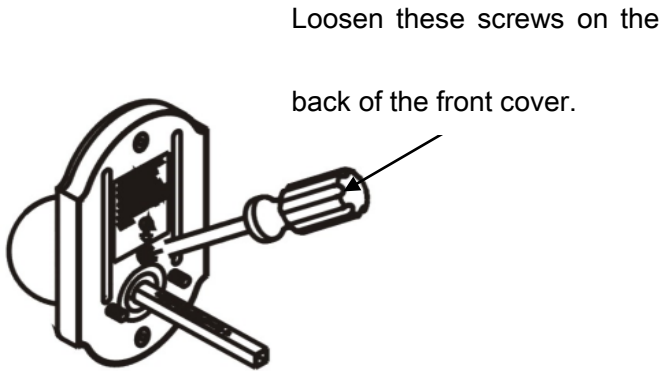
- 2.2.1 Loosen the screw on the back of the front cover(see Figure 9, and remove the cover plate.(Figure 10)
- 2.2.2 Turn the knob counterclockwise to release the tumblers. Once the tumblers are released you can to reset the entry code. (Figure 11)
- 2.2.3 Use the tweezers to remove all the tumblers (see Figure 12), there are 2 kinds of tumblers(see Figure 13)---
  - Code tumblers (golden colored)
  - Non-Code tumbler (silver colored)
- 2.2.4 Choose your entry code and place the golden tumblers next to the digits of your combination. Place the silver tumblers into the remaining spaces (the digits you are not using in your combination) (see Figure 13)

For example if your entry code is 53769A-----

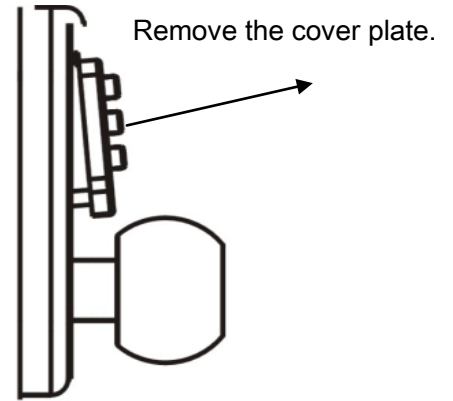
  - A. Put the code tumblers (golden) into cavities #5, #3,#7,#6,#9, #A
  - B. Put the non-code tumblers (silver) into cavities #0,#1,#2,#4,#8,#B
- 2.2.5 Then install the cover plate onto the front cover and tighten the short machine screw from back of the front cover.(See Figure 14, Figure 15, Figure 16)
- 2.2.6 Validate the entry code before closing the door----
  - A. First, clear the internal memory by turning the exterior knob counterclockwise once. After you have cleared
  - B. the internal memory, the lock should be “locked” and you are ready to validate your entry code. If the knob cannot be turned clockwise, then you are ready to move to step B. If it can be turned, then return to previous steps and double check your installation or contact us for assistance.
  - C. Input your entry code and turn clockwise to unlock. If the knob turns and “unlocks” then you have successfully validated the entry code.If it does not unlock then go review the installation steps above or contact us for assistance. Do not close or lock the door until the entry code has been successfully validated.



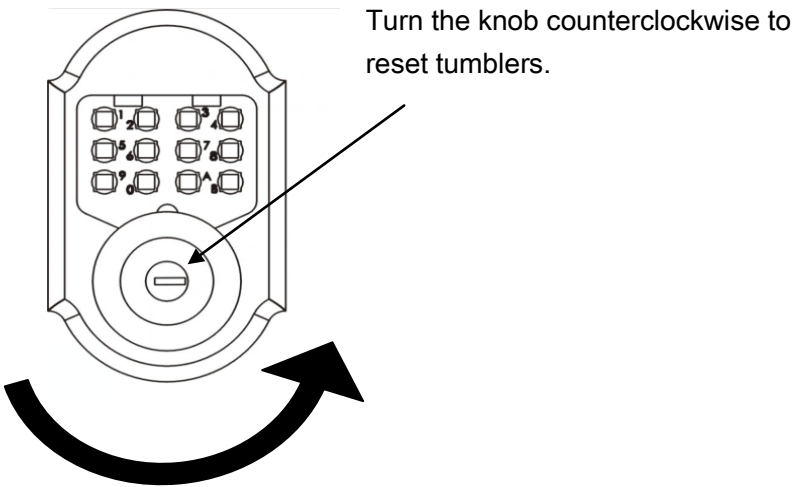
### Figure 9



### Figure 10

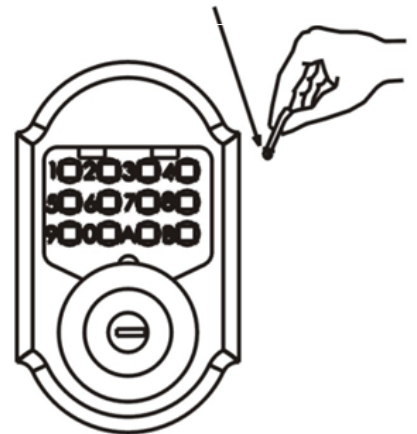


### Figure 11

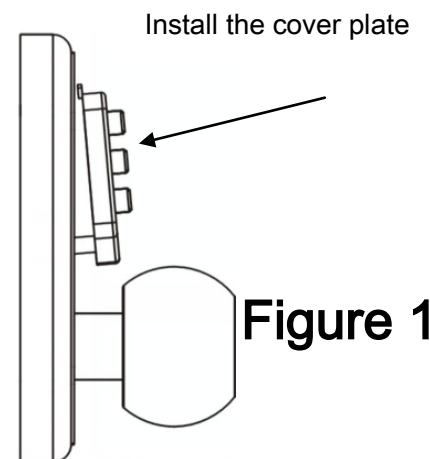
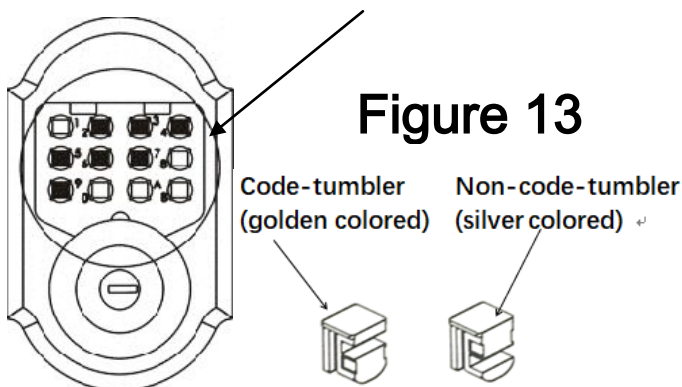


### Figure 12

Use the tweezers to remove all the tumblers from the front cover.



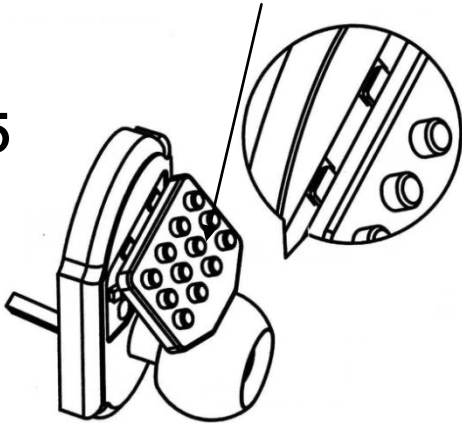
For example, if your entry code is 53769A, put the code-tumblers into #5,3,7,6,9,A, Put the non-code-tumblers into #0,1,2,4,8,B.



### Figure 14

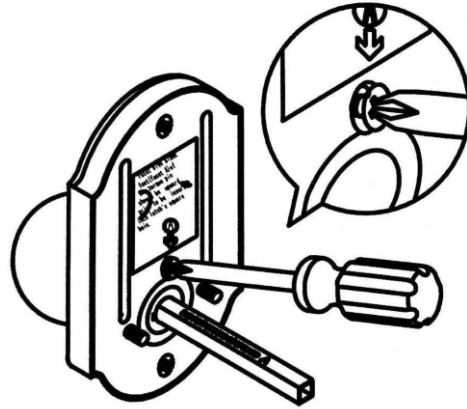
Tile to insert the the cover plate onto the front cover.

**Figure 15**



To attach the combination plate, insert the short machine screw and tighten from the back.

**Figure 16**

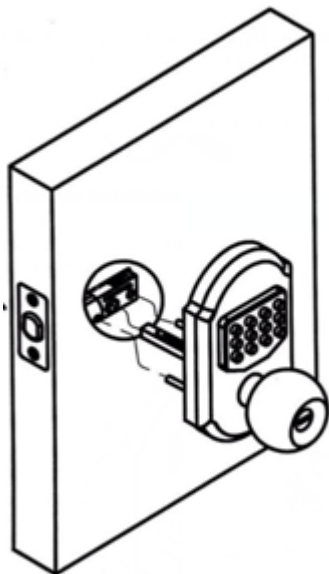


### 2.3 Step 3: Front cover and back cover installation

#### 2.3.1 Install the front cover (from exterior)---

- A. Insert the spindle into the rectangle hole of the latch. The 2 threaded tubes on the front cover need to go through the 2 side holes on the latch (Figure 17).

**Figure 17**

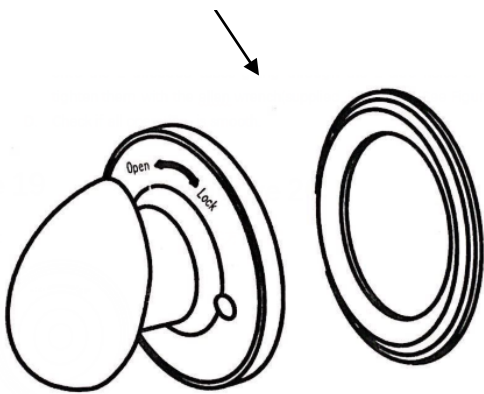


### 2.3.2 Install the back cover (from interior),----

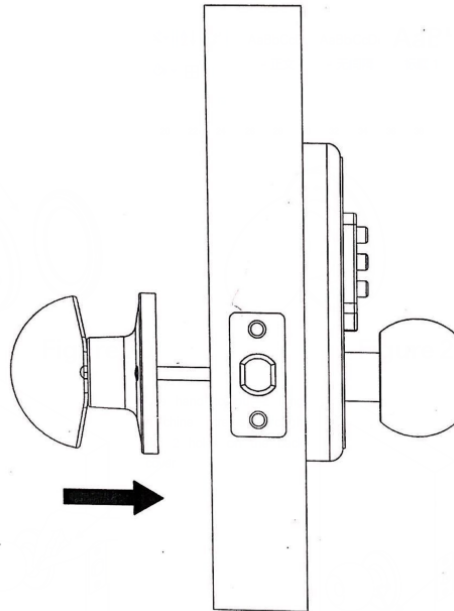
- A. Put the plastic gasket onto the back cover (see Figure 18)
- B. Put the back cover onto the rectangle spindle going through the latch rectangle hole. Make sure you hold the back cover horizontally and line up the 2 holes with the center line. (see Figure 19)
- C. Insert 2 long machine screws through the 2 holes on the back cover and into the 2 threaded tubes coming from the 2 side holes of latch from the front cover. Screw to tighten. (See Figure 20, Figure 21)
- D. Double check the lock and combination to make sure everything is working correctly before closing and locking the door.

## Figure 18

Put the plastic gasket onto the back cover.



## Figure 19

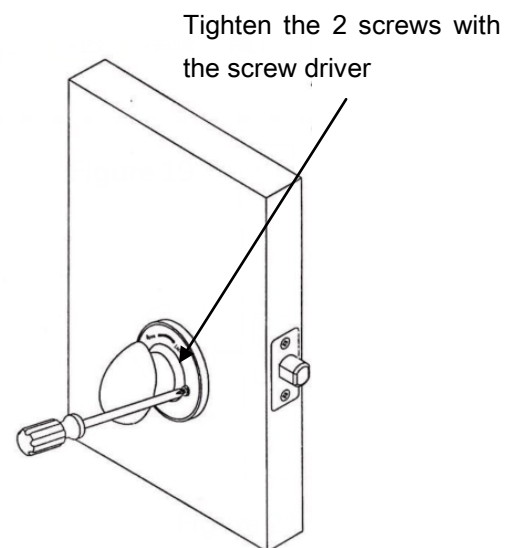


## Figure 20



Insert the 2 long machine screws through the 2 holes on the back cover.

## Figure 21



Tighten the 2 screws with the screw driver

## **2.4 Step 4: Test the combination and function**

(IMPORTANT: Do NOT close the door until you have finished this step)

1. First, fully turn the exterior knob counterclockwise from exterior to clear the internal memory. Then try to turn the exterior knob clockwise. If the knob cannot be turned, then you know the lock is working correctly. Move to the next step. If you can turn the knob clockwise after the internal memory has been cleared then the lock is not working properly. Double check the installation or contact us for support.
2. Input your entry code and turn the knob clockwise to open. If the latch retracts after you have entered the code and turned the knob clockwise, you know the lock is working properly. Move to step 3 and test the lock from the interior.
3. To test from interior, turn the interior knob clockwise as far as it will go. If the latch extended, it's working properly, move to next step; if not, go back to check previous steps.
4. Turn the interior knob counterclockwise, this should cause the latch to retract. If the latch retracts you have successfully tested your Keyless door entry and you can close the door. If not, please go back to check previous steps.

**Right now, you can close the door. Congratulations! The installation is complete!**

### 3. How to operate the lock.

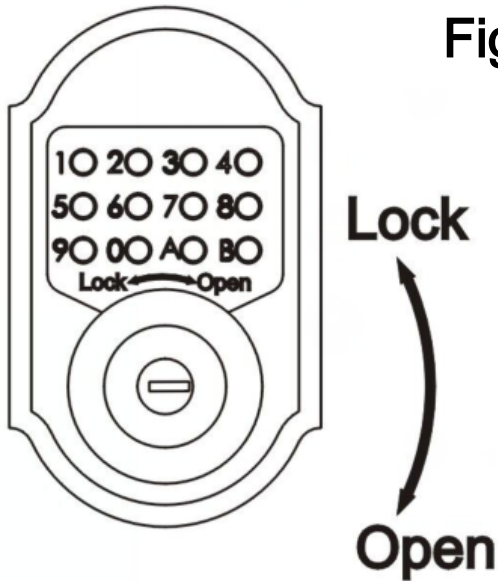
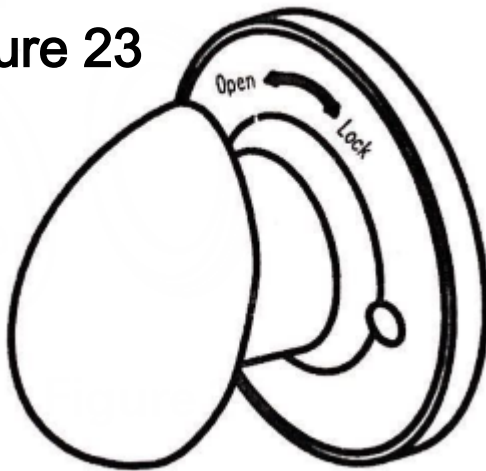


Figure 22

#### Operation from exterior(Figure 22)

1. Locking the door from the exterior----  
Turn the knob counterclockwise to lock the door.
2. Opening the door from exterior when the door is locked----  
Input the entry code and then turn the exterior knob clockwise from exterior to open.(If you input the wrong code or it is not unlocking, clear the internal memory by turning the knob counterclockwise)

Figure 23



#### Operation from interior(Figure 23)

1. Opening from interior when door is locked or unlocked----  
Turn the interior knob counterclockwise to open the door from interior anytime
2. Locking the door from interior-----  
Turn the interior knob clockwise to lock the door from the inside.

Note: This door will **NOT** lock automatically. This door must be locked manually by turning the knob clockwise from the interior and counterclockwise from the exterior.

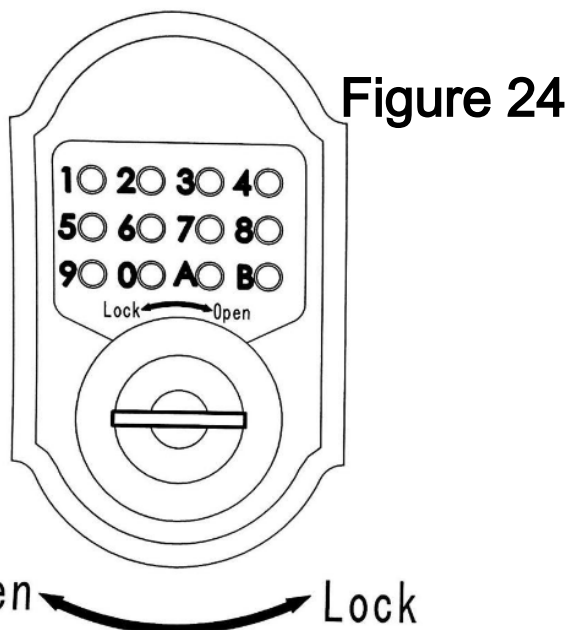


Figure 24

#### Operation with key from exterior(Figure 24)

1. Opening the door from exterior when door is locked -  
---  
Turn the key clockwise to open the lock.
2. Lock the door from interior-----  
Turn the knob counterclockwise to lock the door

## Basic Operations---

### 3.1 Opening the door from exterior when locked---

Input the entry code and turn the knob clockwise from exterior to open. If the entry code is entered incorrectly or another user has previously pressed any keys, the internal memory must be cleared before trying the correct entry code again. To clear the internal memory, turn the knob counterclockwise.

### 3.2 Opening the door from interior when locked---

Turn the knob counterclockwise from the interior to unlock the door.

### 3.3 Locking the door from interior/exterior---

Turning the knob counterclockwise from exterior or turning the knob clockwise from the interior will lock the door.

### 3.4 When input the incorrect combination from exterior---

Turn the knob counterclockwise from the exterior to clear the internal memory. Then input the correct entry code and turn the knob clockwise from the exterior to unlock.

### 3.5 The lock will stay unlocked----

This lock does not lock automatically. To lock from the exterior, turn the knob counterclockwise. To lock from the interior, turn the knob clockwise.

### 3.6 Initial Entry code

For all the new locks, the pre-set entry code is "123678"

### 3.7 Using a key to operate the lock----

#### A. Opening the door from exterior when either door is locked ----

Insert the key into the keyhole, turn the key clockwise to open the lock.

#### B. Lock the door from interior-----

Turn the knob counterclockwise to lock the door. You do not need to use the key to lock this door.

Note: Turning the key will not lock the door. The only way to lock the door is by turning the knob counterclockwise.

### 3.8 Changing the entry code----

**3.8.1** Loosen the screw on the back of the front cover(see Figure 25), and take the cover plate off.(Figure 26)

**3.8.2** Turn the knob counterclockwise and the tumblers should pop out.(Figure 27)

**3.8.3** Take all the tumblers out with the tweezers(see Figure 28), there are 2 kinds of tumblers(see Figure 29)----

Code tumblers (golden colored)

Non-Code tumbler (silver colored)

**3.8.4** Choose your entry code and place the golden tumblers next to the digits of your combination. Place the silver tumblers into the remaining spaces (the digits you are not using in your combination) (see Figure 13)

For example if your entry code is 53769A-----

Put the code tumblers (golden) into cavities #5, #3,#7,#6,#9, #A Put the non-code tumblers (silver) into cavities #0,#1,#2,#4,#8,#B

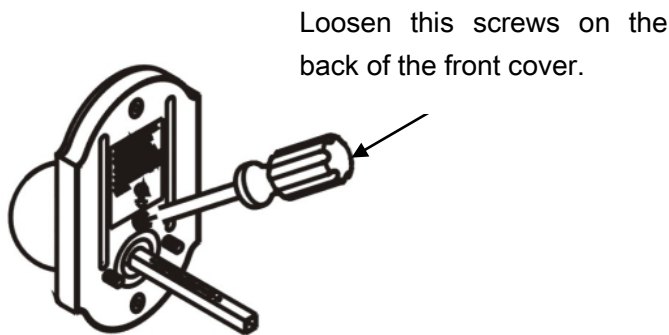
3.8.5 Then install the cover plate onto the front cover, tighten the short machine screw from back of the front cover.(See Figure 30, Figure 31, Figure 32)

3.8.6 Validate the entry code----

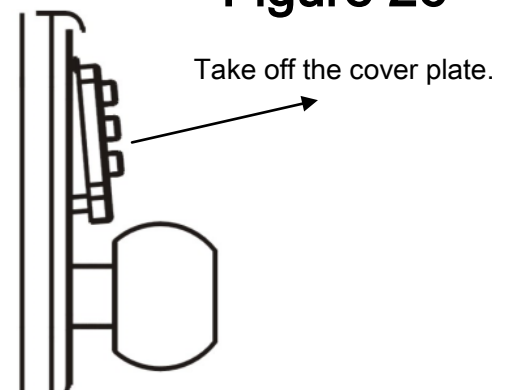
A. Turn the exterior knob counterclockwise from exterior to the end to clear the input and extend the latch then turn the exterior knob clockwise, if the knob cannot be turned, then you know it is working properly, then move to below step B. If it does not work, double check the previous steps or contact us for assistance.

B. After clearing the internal memory, enter the correct entry code. If you can turn the knob clockwise and retract the latch, then you have successfully changed and validated the entry code. If not, review the reset procedure or contact us for support.

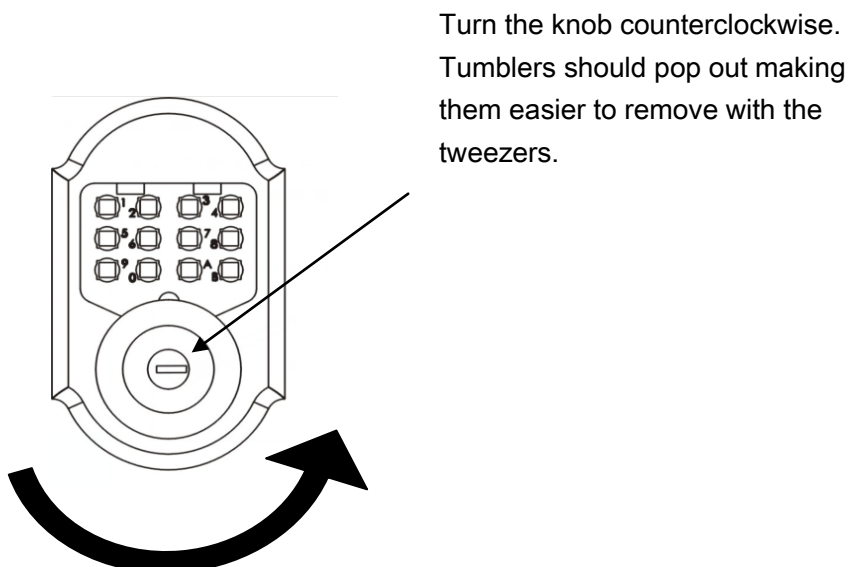
**Figure 25**



**Figure 26**

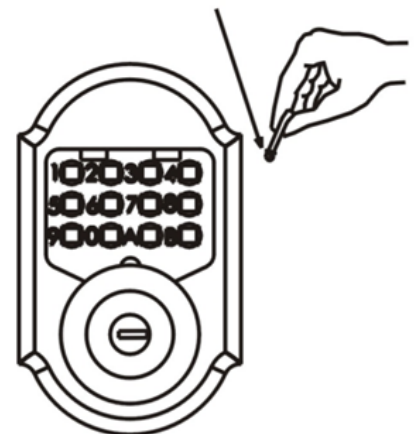


**Figure 27**



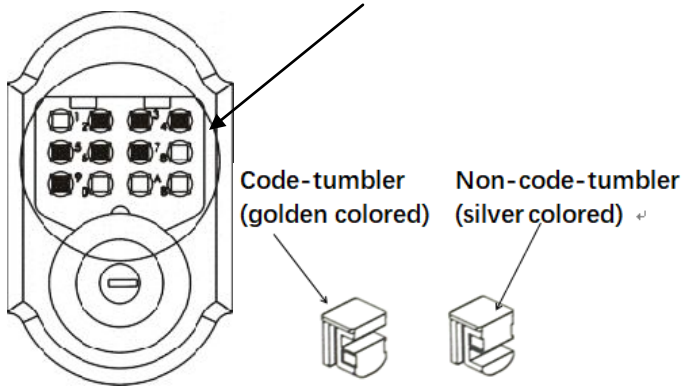
**Figure 28**

Use the tweezers to remove all the tumblers on the front cover



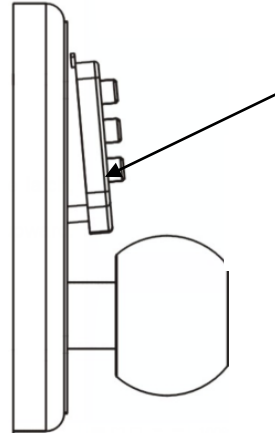
For example, if the entry code is 53769A, please put the code-tumblers' Into #5,3,7,6,9,A, Put the non-code-tumblers into #0,1,2,4,8,B

**Figure 29**



Put the cover plate onto the front cover.

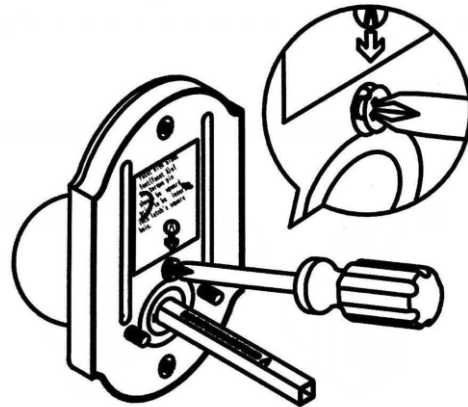
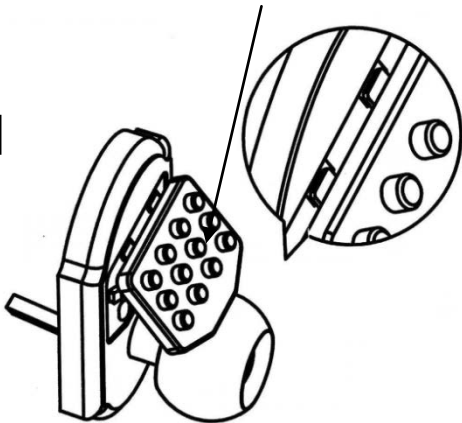
**Figure 30**



Tilt to insert the cover plate onto the front cover

Put the short machine screw from the back of the front cover to go through it to attach the combination plate, and tighten this screw.

**Figure 31**



**Figure 32**



## 4 Quality Policy

We provide a lifetime warranty for all of our Keyless door lock products from the day of purchase.

### Return/replacement Policy

- 4.1 If you want to return/replace the goods for any reason, please contact us directly for return/replacement. In this way, EleMake will be able to pay for the returning shipping cost to avoid loss to any customers.
- 4.2 What if the product is out of return/replacement window, the warranty has expired? In most cases, we will continuously provide return/replacement service or other support to customers even if the product is out of return/replacement window or the warranty has expired. Please contact us directly so we can better serve you.
- 4.3 For technical/quality questions, please refer to the contacts below. Our technical support team is dedicated to helping you.

Your time is important. We are committed to answering all questions within 1 business day.

## Installation Video-----

[https://youtu.be/8\\_JPu2UuO34](https://youtu.be/8_JPu2UuO34)

Or

<http://www.elemakelocks.com//static/source/MKD001.mp4>





[www.elemakelocks.com](http://www.elemakelocks.com)

EleMake Lock Products.

Online customer service----

Facebook #:csservice168@163.com

Skype #: customerservice@products

Email-address: customerservice@elemakelocks.com

Customer service center address:

Eastern: 25752 W.143rd St, Plainfield, IL, US, 60544

**For Customer Service please call:**

**(1)8003159607**