

# Elemake

## **STAINLESS STEEL KEYLESS MECHANICAL DEADBOLT**

Series MKD-001Z



**(800) 315-9607**  
customerservice@elemakelocks.com

[elemakelocks.com](http://elemakelocks.com)

# ELEMAKE LOCKS

Elemake is dedicated to providing customers with top-grade quality and innovation at an affordable price. Our stylish designs and high quality craftsmanship have graced customers doors since 1976.

Series MKD-001Z Locks are a family of high grade stainless steel mechanical keyless deadbolts. They are ideal for residential homes, apartment buildings, offices, schools, hospitals, an other applications where restricted access to an area is needed.

Elemake is committed to providing exceptional customer service. All of our locks come with a lifetime mechanical warranty. We value you.

## INSTALLATION VIDEO PAGES

### INSTALLATION VIDEO PAGE :

<http://www.elemakelocks.com/pages/installation-video>

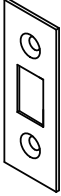
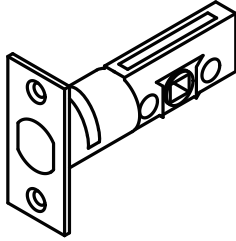
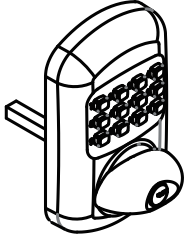
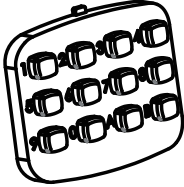



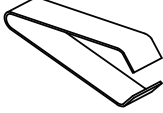
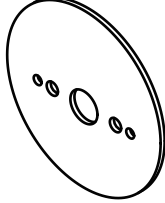






### USER'S GUIDE VIDEO PAGE :

<http://www.elemakelocks.com/pages/usersguide-video>

# CONTENTS

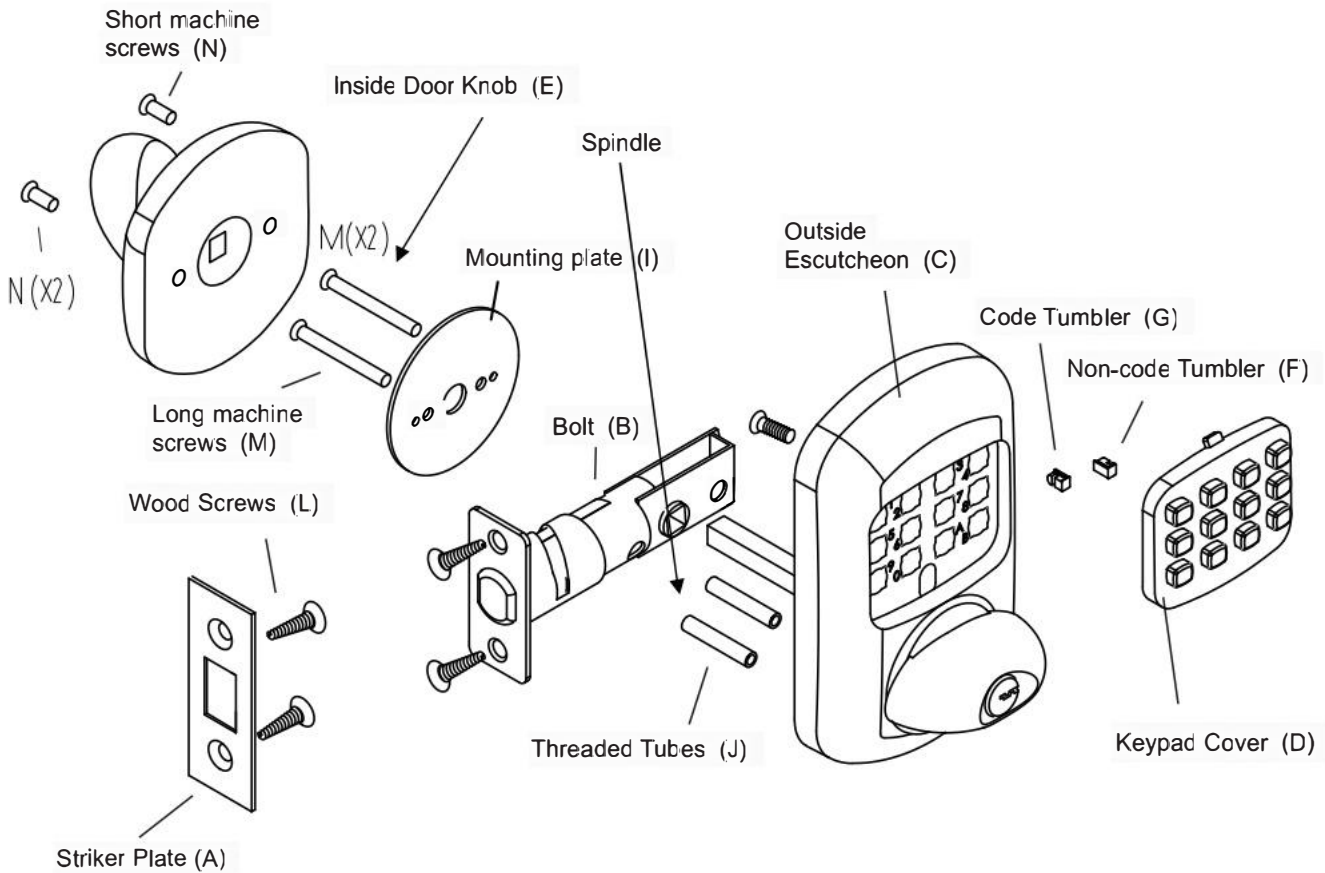
1. List Of Parts .....	02
2. Lock Assembly Diagram .....	03
3. Prior To Installation .....	03
4. Set The Passcode .....	04
5. Passcode Troubleshooting .....	06
6. Installing The Lock .....	07
7. Using The Lock .....	10
8. Warning .....	11
9. Contact Us .....	12

# LIST OF PARTS

<p><b>A</b></p>  <p>Striker plate</p>	<p><b>B</b></p>  <p>Bolt</p>	<p><b>C</b></p>  <p>Outside Escutcheon</p>
<p><b>D</b></p>  <p>Keypad Cover</p>	<p><b>E</b></p>  <p>Inside door knob</p>	<p><b>F</b></p>  <p>8-Silver non-code tumblers (6 in part C)</p>
<p><b>G</b></p>  <p>8 Gold passcode tumblers (6 in part C)</p>	<p><b>H</b></p>  <p>1 Tumbler remover tweezers</p>	<p><b>I</b></p>  <p>Mounting plate</p>
<p><b>J</b></p>  <p>2 Threaded Tubes</p>	<p><b>K</b></p>  <p>3 Keys</p>	<p><b>L</b></p>  <p>4 Wood Screws</p>
<p><b>M</b></p>  <p>2 Long machine screws M4*50</p>	<p><b>N</b></p>  <p>2 Short machine screws</p>	<p><b>O</b></p>  <p>Users manual</p>

**Not Included:** Philips head screwdriver

# LOCK INSTALLATION DIAGRAM



## PRIOR TO INSTALLATION

Here are some key features of the MKD-001Z that you will want to observe carefully before moving forward with the installation process.

- **MAKE SURE YOUR DOOR IS COMPATIBLE**

Door thickness: 1-8/3 to 2-3/8 inches

Backset length Option 1: 2-3/4 inch

Backset length Option 2: 2-3/8 inch

- **UNDERSTAND THE OPERATION OF THIS LOCK**

The MKD-001Z **will not lock automatically** when closed. Just like any deadbolt the knob must be turned to lock the door.

- **SET PASSCODE BEFORE INSTALLATION**

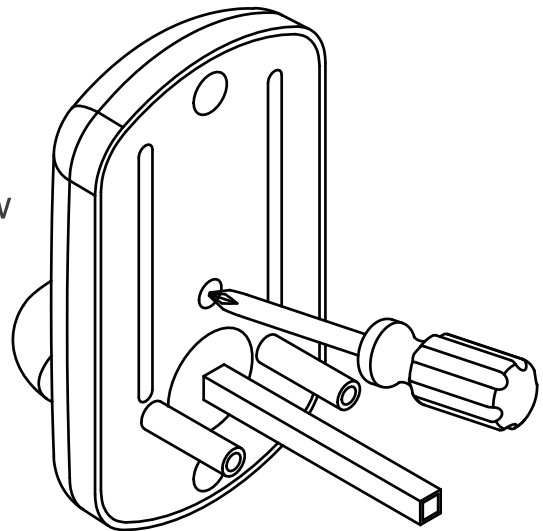
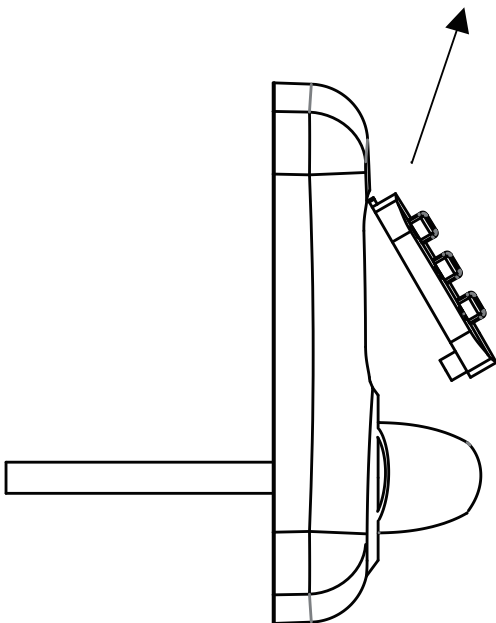
This lock is **not battery operated** and therefore the entry code must be programmed **prior to installation**. See page 04 for Entry code programming instructions. (SET THE PASSCODE)

# SET THE PASSCODE

## REMOVE KEYPAD COVER (D)

The keypad cover is removed by simply unscrewing the center short machine screw on the back of the outside escutcheon(C).

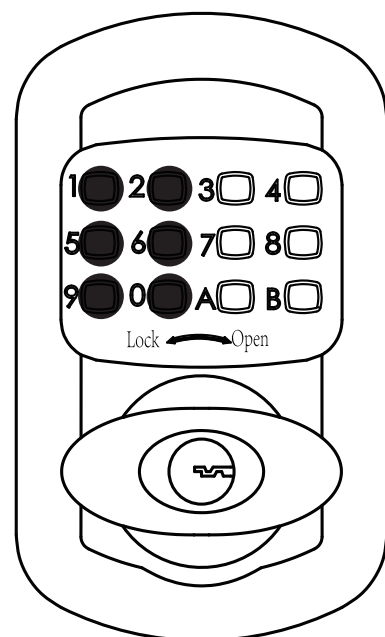
Remove the keypad cover



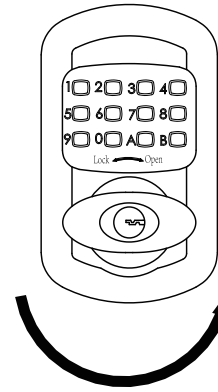
Once this is removed flip the lock over and pull the keypad cover down and out.

## REARRANGE THE TUMBLERS

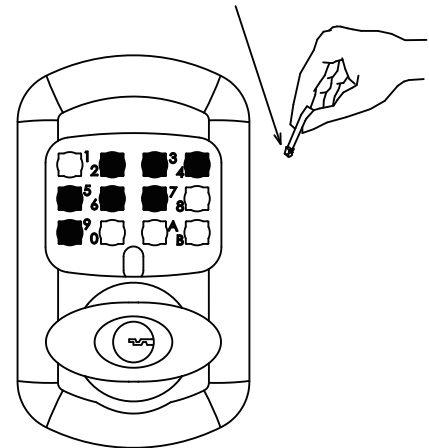
The preset factory code is 125690. You will notice that the gold passcode tumblers (G) are located beside 125690.



To change the passcode, first turn the knob to the left to push up the tumblers.



Use the included tweezers (H) or your fingers to simply remove the gold passcode tumblers(G) and insert them into the spaces next to your desired new code. The silver non-code tumblers(F) go in the other spots. The example shows the gold tumblers in the new passcode 1234 with the silver tumblers.



## NOTE

You can adjust the length of your code by using the 4 additional tumblers we included in the bag. For a shorter code, use fewer gold tumblers (G), for a longer code use more gold tumblers(F).

Please note that this lock does not place importance on the order of the code. A code set to 1234B will also accept 4B321, 234B1, B4123 etc.

You cannot repeat a letter or digit twice. The code 19A81A cannot be chosen as a code because it repeats the digit 1 and the digit A.

## TEST YOUR NEW CODE

Test to make sure your code is working properly to open the door. To do this first begin by turning the knob to the left. When this happens, all the tumblers should pop out slightly.

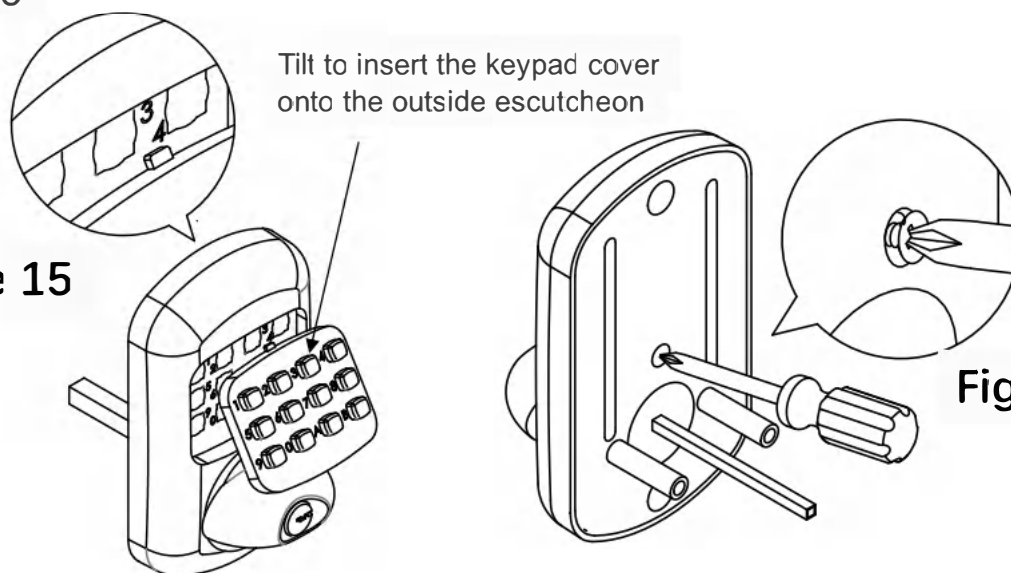
Then press down the gold passcode tumblers (your new code). Remember, this can be done in any order.

Then attempt to turn the knob to the right. If it turns, it means that you were successful and you can move on to the next step.

If it doesn't turn to the right, please see the troubleshooting section below, or contact our customer service number for further assistance (800-315-9607).

## REINSTALL KEYPAD COVER.

Place the keypad cover back on the face of the outside escutcheon and screw the middle



Test to make sure your code is working with the keypad cover on. Now you are ready to install the lock on the door!

# PASSCODE TROUBLESHOOTING

## IF YOUR PASSCODE IS NOT WORKING

- Try removing all tumblers and reinstalling them, it could be that one of the tumblers was not inserted correctly.

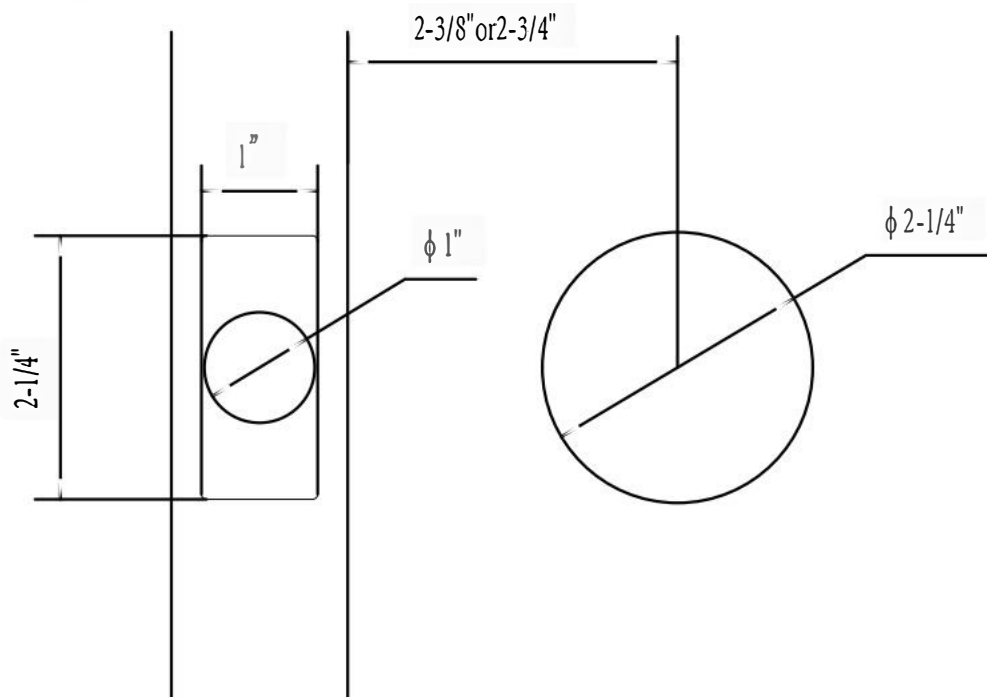
- Double check the color of the tumblers and that the number of gold tumblers matches the length of your code. If all of the gold tumblers are not pressed, or any of the silver tumblers are pressed, the lock will not open.
- If you have done both of these things, it could be that you received a damaged or used lock. Please call our customer service number 800-315-9607 or email us at [customerservice@elemakelocks.com](mailto:customerservice@elemakelocks.com) for a hassle free replacement.

## INSTALLING THE LOCK

### ⚠ WARNING

Be sure to test the lock before closing the door.

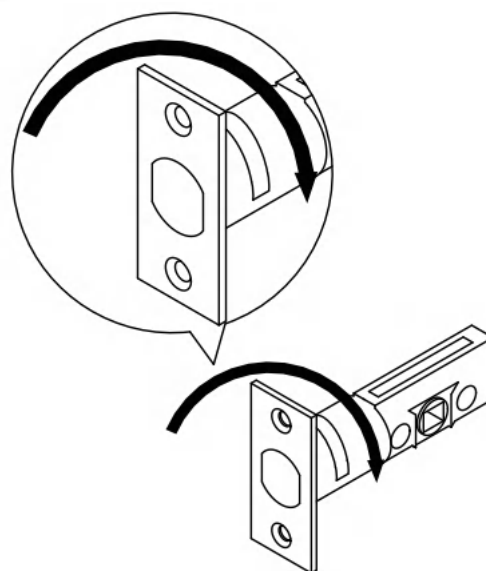
This deadbolt should fit most standard sized doors. Please double check the size of the backset and the thickness of the door to make sure this lock is appropriate.



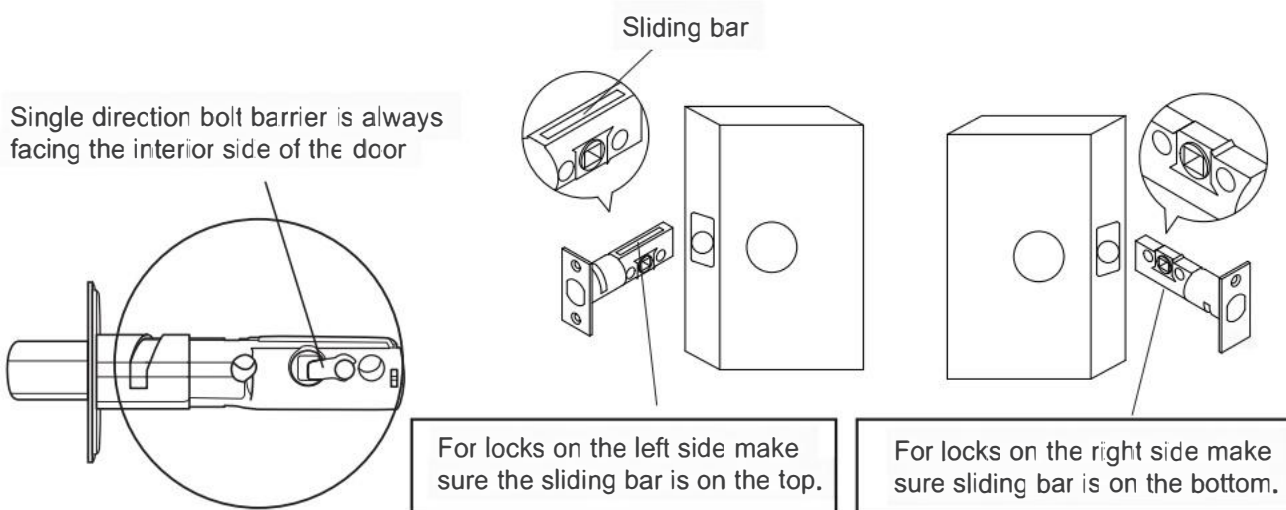


1 If needed bore or drill a hole according to the template provided.

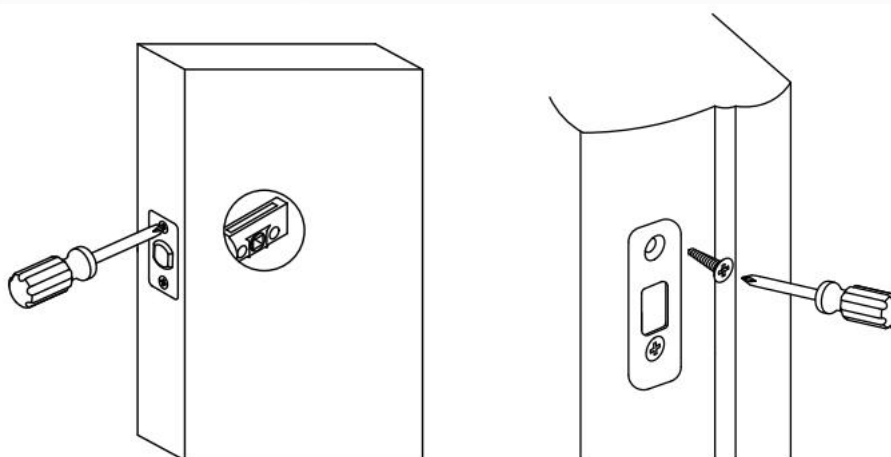
2 Adjust the size of the deadbolt bolt (B) to fit your door. Twist the deadbolt to choose either a 2-3/4 inch backset or a 2-3/8 inch backset. Be sure the center square on the latch aligns with the center of the bore hole in your door.



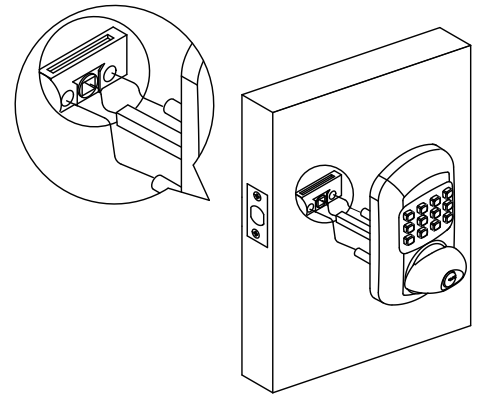
3 Insert the bolt into the door. Make sure the single direction bolt barrier is facing the interior side of the door. For locks on the left side of the door, the sliding bar will be at the top, for locks on the right side of the door, the sliding bar will be on the bottom of the bolt.



4 Be sure to use the wood screws L to fasten the bolt to the door by using a Phillips head screwdriver. We do not recommend using a drill.

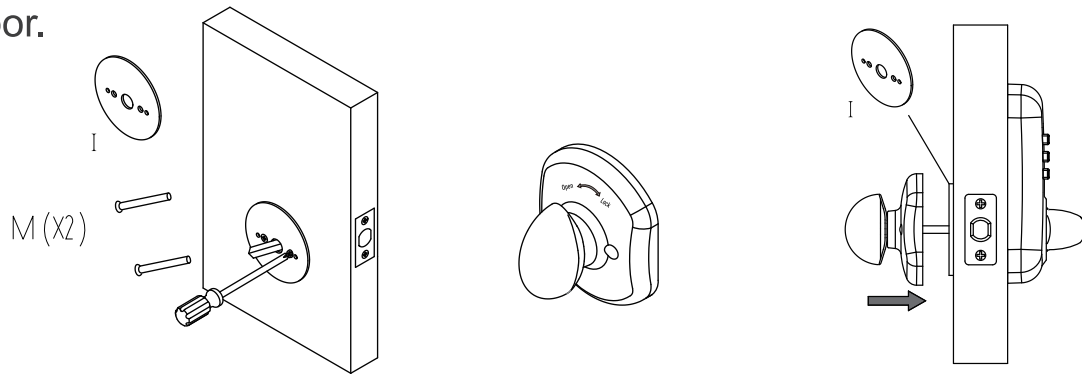


- 5 Insert the rectangular spindle of the outside escutcheon(C) into the square hole in the bolt (B) and press until flush against the door.

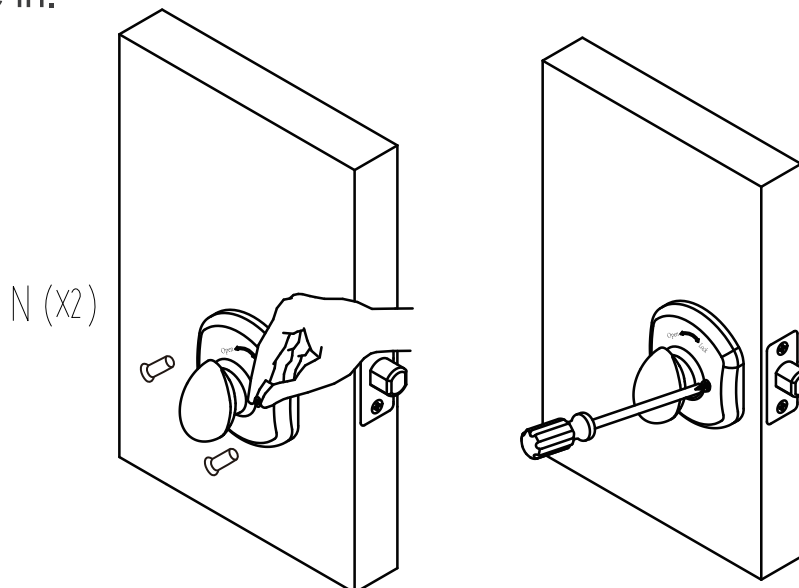


- 6 Place the black plastic sleeves onto the threaded tubes to help guide the placement of the long machine screws.

- 7 Attach the mounting bracket to the threaded tubes from the outside escutcheon; Tighten with the 2 long machine screws. Insert the square spindle into the back door knob and press until it is flush against the door.



- 8 Screw the 2 short machine screws to fasten the back door knob onto the mounting plate on the door. Test the inside door knob to make sure it is working properly. When the knob is in the vertical position, the deadbolt should be out in the locking position. If the knob is vertical the deadbolt should be in.



- 9 Return to the front side of the door and TEST both inputting the passcode and opening the lock with the key. Once you have confirmed that these are working properly you are ready to use the lock.

# USING THE LOCK

To lock the door from the inside simply turn the knob clockwise and counterclockwise to open.

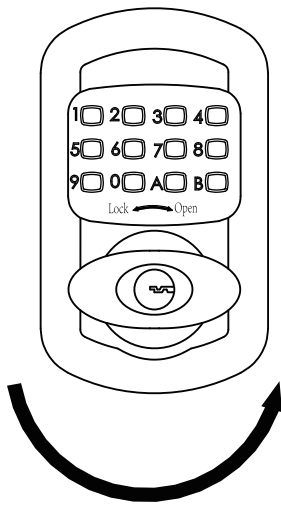
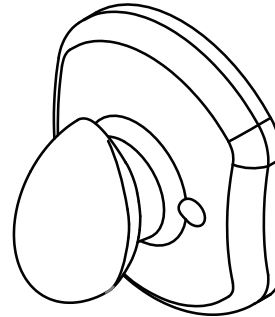
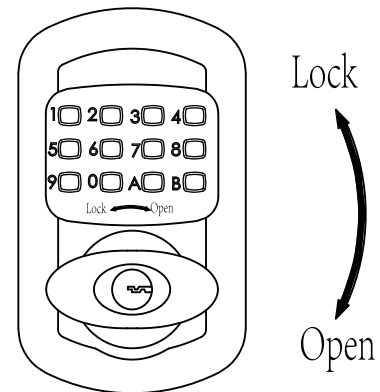


Figure 23



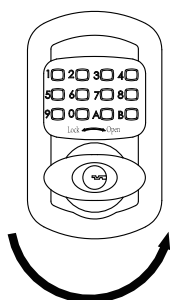
To lock the door from the outside, turn the knob counterclockwise.

To unlock the door using the key, insert the key in the horizontal position and turn the key clockwise.

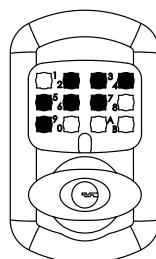


To unlock the door using the passcode, begin by turning the knob left (counterclockwise) to clear the memory. Then enter your passcode and turn the knob to the right (clockwise) to open.

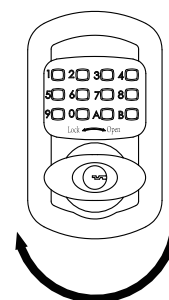
## Clear Memory



## Enter Code



## Turn Right to Open



## NOTE

This lock does not automatically latch. Like any deadbolt, you must turn the knob manually in order to lock the door.

## **WARNING**

We provide a 5 year warranty for all of our keyless entry door locks.

If you need to return or replace your item, please contact us directly to avoid unnecessary customer shipping fees.

If your product return and replacement window has expired, we will continue to provide you with great customer service. Contact us directly so we can better serve you.

For technical support, please contact us directly. Our technical support team is dedicated to making sure your technical questions are answered in a professional and timely manner.

For more information visit our website at  
[www.elemakelocks.com](http://www.elemakelocks.com)



[www.elemakelocks.com](http://www.elemakelocks.com)

## **CONTACT US**

Facebook: [csservice168@163.com](https://www.facebook.com/csservice168@163.com)

Skype: [CustomerService@products](https://www.skype.com/people/CustomerService@products)

Email: [customerservice@elemakelocks.com](mailto:customerservice@elemakelocks.com)

**Toll Free: (800) 315-9607**

Address: Elemake Locks 5448 Apex Peakway  
Box 197 Apex, NC 27502