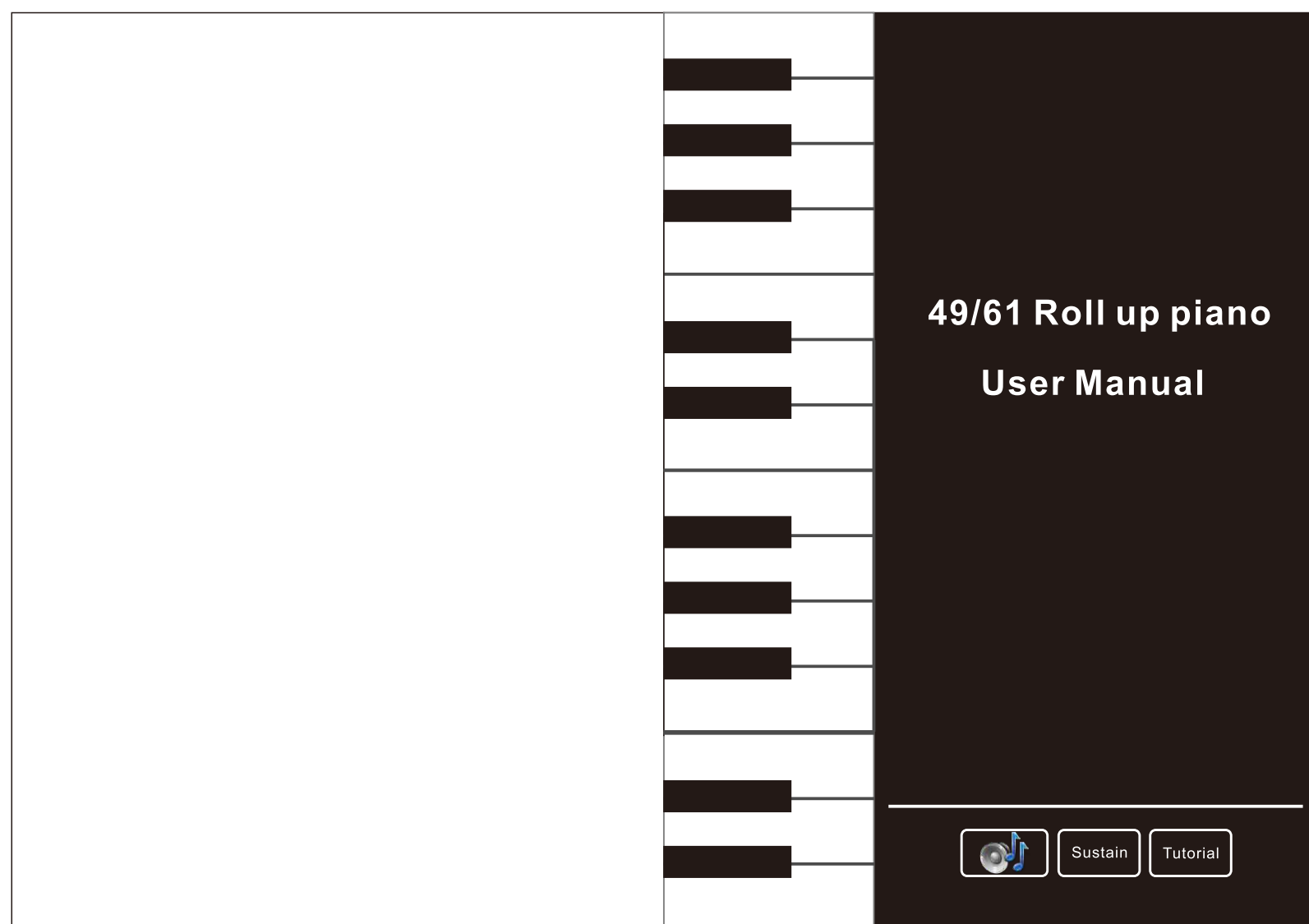


封底

封面



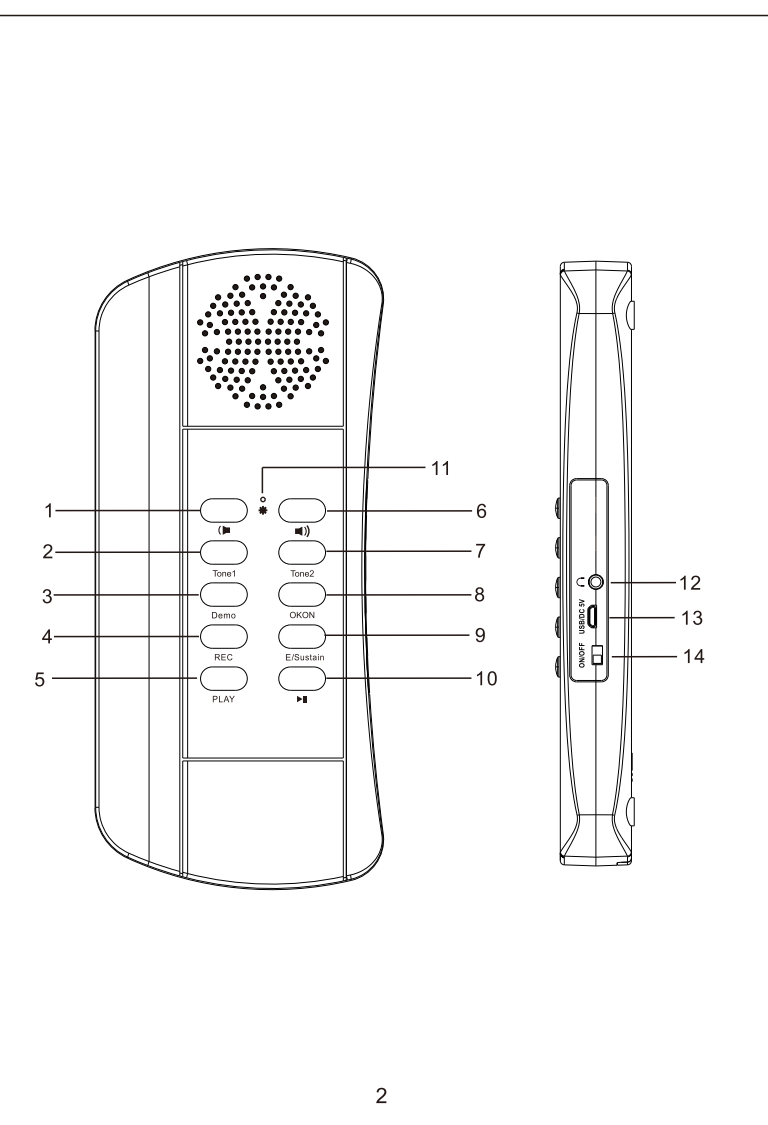
Thanks for buying roll up piano
We are specialized in developing and producing roll up piano,roll up drum kit and other portable and light products.For your normal use and maintenance,please read the user manual carefully.May you have a pleasant process when using.Thanks for your cooperation.

一. Product specification:

- 49/61 standard keys
- 16 tones 6 demos
- Volume button
- Tone button(tone1,tone2)
- Record,play,start/stop function
- Demo song
- Sustain
- Tutorial function
- USB supply power
- Earphone/speaker interface
- Black key higher than white one
- Automatic sleeping within 3 minutes without using
- 3*AAA battery

二. Button function explanation:

1		Volume control-	8	OKON	Tutorial button
2	Tone1	Tone button 1	9	E/Sustain	Echo/Sustain function
3	Demo	Demo button	10		Start/stop button
4	REC	Record button	11		LED indicator
5	PLAY	Play button	12		Earphone/speaker interface
6		Volume control+	13	USB/DC 5V	DC 5V power interface
7	Tone2	Tone button 2	14	ON/OFF	ON/OFF



三. Function description

1. Volume control

- Two buttons to control the volume,press " "means increase the volume,press " "means decrease the volume.
- Volume level is:8,boot default is 6.

2. Tone selection

- 16 tones,boot default is piano,press tone 1 to select the top 8 tones and press tone 2 to select the last 8 tones.

3. Demo

- Press "Demo"button,the demo song begins to play,and will play all demo songs automatically.
- Press first time the demo plays,second time,the demo stops.

4. Record

- Press "REC" button into record mode,press any key begin to record. Maximum number of recordings is 65,when it is full,can not record any more notes.It can press "Play"button to play the notes when recording.
- Press "REC"button every time,will clear the last recording and into record mode again.

5. Play

- Play recording,can play the noted you record,the key is invalid at that moment.
- Press "Play"button,if no recording before,then no any action.

6. Echo/Sustain

- First time press "E/Sustian"button,will be Echo effect
- Second press "E/Sustain" button,will be sustain effect
- Third press "E/Sustain"button,will restore the original sound effect

7. Tutorial function

- Press "OKON"button into tutorial mode,then press white key to select the different songs
- Playing key,the main sound will be covered,if not play the main melody within 3 seconds,will restore to play this song.
- Present song is over,press the white key to select the songs again.

8. Start/Stop

- Under Tutorial,record,play,demo and other modes,press " "quit and into other mode.

IV. Roll up piano using details

- You should take out the battery while not using piano ,in order to avoid the damage caused by batteries leak.
- In order to make sure every function is available, please put the piano flat wise ,and try not to move piano when using it, or unexpected damage will happened.
- You should not roll too tight after using it, or the key function will affected and the product lifetime will reduce.
- Please don't pull or twist piano keyboard.
- Don't put piano in high temperature or drippy place
- Don't separate any parts of this piano.
- In order to protect piano function, Please do not set piano in strong radio wave place.

Simple trouble shooting

- If piano stops working or abnormal sound come out while using it ,may the battery run out, please change another new battery.
- If the sound is abnormal, may the key function is unavailable, please turn off the power,restart the machine, then restore the original settings.

Annex one : DEMO name list

Song No	Song Name
S00	In the peach blossom place
S01	Qinghai Tibet Plateau
S02	Xinyu
S03	Kangding love songs
S04	Dream wedding
S05	For Alice

Annex two: Tone list

1) : Tone1

Tone NO	Tone Name
T00	Acoustic Grand Piano
T01	Orchestral Harp
T02	Church Organ
T03	Tubular Bell
T04	Electric Guitar (jazz)
T05	Violin
T06	String Ensemble 1
T07	Acoustic Guitar (steel)

2) : Tone2

Tone NO	Tone Name
T08	Trumpet
T09	Tuba
T10	Electric Bass(finger)
T11	Alto Sax
T12	Flute
T13	Banjo
T14	Oboe
T15	French Horn

小册子W105*H148MM