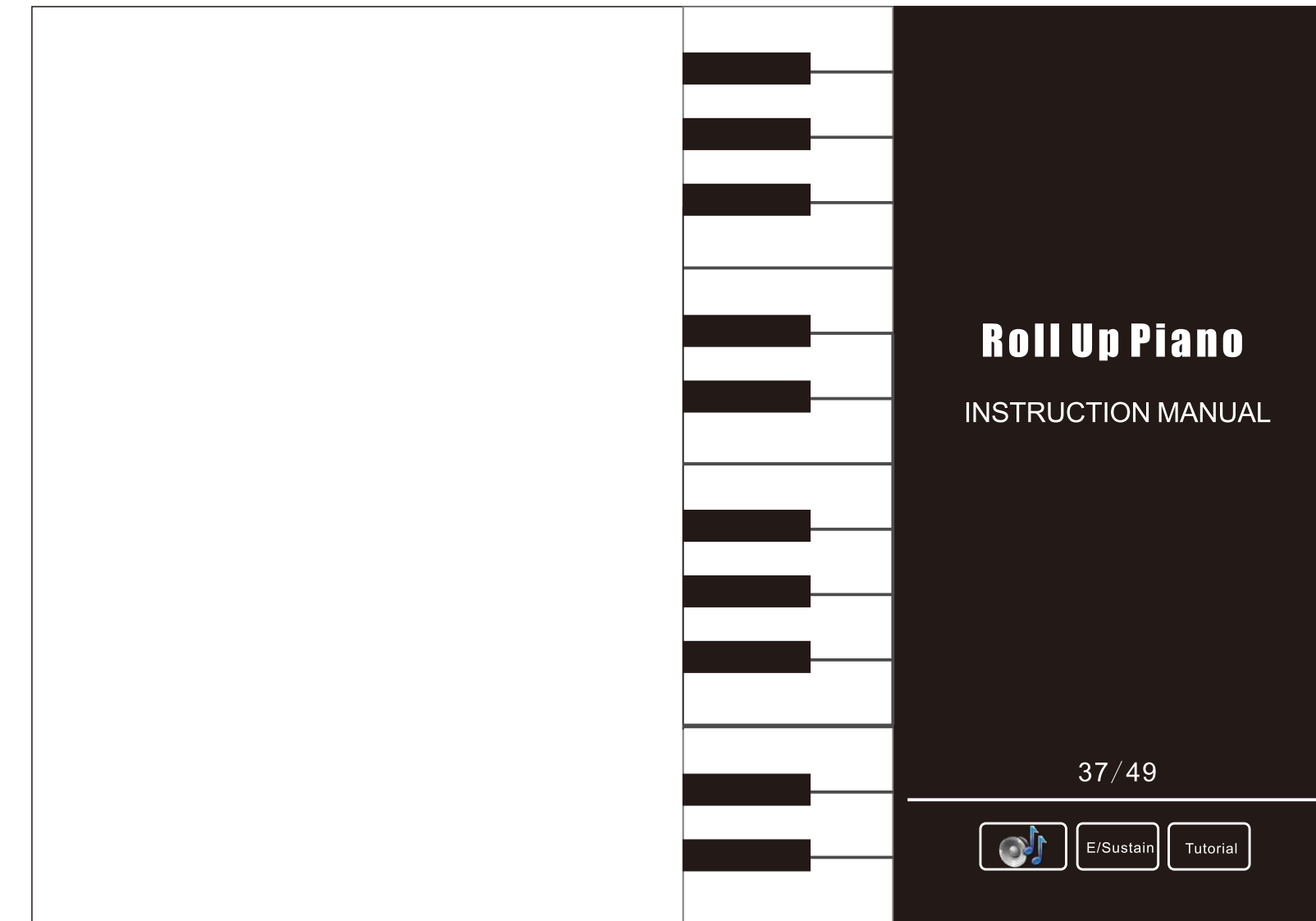


封底

封面



I. Introduction

Thank you sincerely for buying our brand rolling piano. This hand rolling piano is a portable product with sophisticated structure design. So to avoid damage, please pay attention to the operation. For your normal use and maintenance, please read carefully the below user manual, especially the part for children, you must pay more attention.

II. Products specification

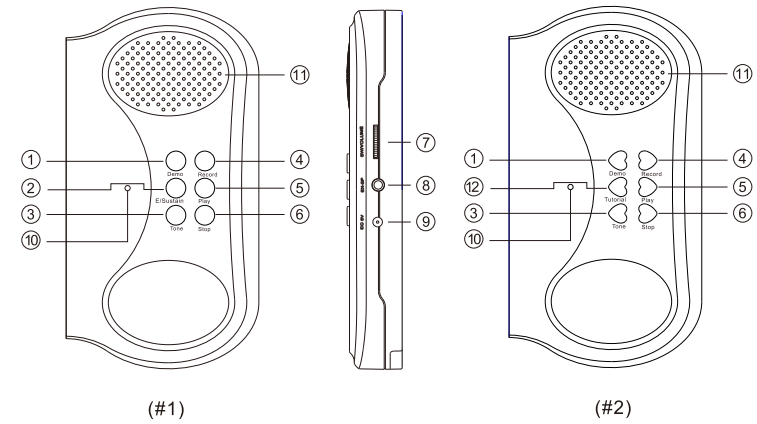
- Keyboard: 37/49 standard keys
- Tone :8
- Demonstration songs: 6 demo songs
- Volume :knob volume control in clockwise
- Record and play function
- Demo play
- Stop function
- Echo/Sustain function (#1) • Tutorial (#2)
- Power-saving mode: smart sleep after 3 minutes with no play
- Inside speaker, support external speaker and earphone
- Power: 4 AAA battery ,support external power resource:DC 5V
- Size:control box :L15*W8*H2.2cm
37 keyboard :L56*W12.5*H0.9cm
49 keyboard :L72.1*W12.5*H0.9cm

III. Products feature

- This piano is a Small size one, and is portable and convenient to play by students.
- It can cover the needs of children and primary school, and it can be more suitable for the music performance and the music training.
- Using the tone adjustment keys, 8 kinds of tones can be selected
- Use 4 AAA battery, economical and practical.
- Won't disturb others while use earphone, support external speaker.

1

III. Appearance of the structure



| | | |
|----|------------------|---|
| 1 | Demo | demo song play key |
| 2 | E/Sustain | echo/sustain key (#1) |
| 3 | Tone | tone key |
| 4 | Record | record key |
| 5 | Play | play key |
| 6 | Stop | stop key |
| 7 | On/off/volume | power on in clockwise way and power off in anticlockwise way ;increase the volume in clockwise and decrease in anticlockwise; |
| 8 | Earphone/speaker | earphone/external speaker position |
| 9 | DC5V | power position |
| 10 | LED | working indicating lamp |
| 11 | Speaker | speaker |
| 12 | Tutorial | tutorial key (#2) |

2

IV. Function Description

1. Demo song

- Press demo key, play the demo songs.
- When piano was in the playback process, press the demo key to stop, repress demo key to start another one, and this process will be in cycle.
- While piano was in demonstration song playing state, the keys is invalid.
- Replay the same song after the demo songs is playing over.

2. Echo/Sustain function (#1)

- When press echo/sustain key ,function goes like echo, sustain, normal, etc.

3. Tone

- 8 different tones, approved to be piano while starting, could chose tones using button.
- Will cycle 8 tones by tone buttons.

4. Record function

- Press the record button, enter the recording state.
- Press play key, play the recording content.
- The record is recording only, press play key to replay what we recorded, could switch musical instrument while playing.
- The beat happens after entering the record sections, press the play key and then back to the recording section, re-recording and the beat continues.

5. On/off/volume

- Power: power on in clockwise way and power off in anticlockwise way
- Volume: increase the volume in clockwise way and decrease in anticlockwise way.

3

6. Power saving dormancy function

Do not turn into dormancy while playing music(songs, demo, record and so on); Enter into dormancy with no operation in 3 minutes, you could press any keys to wake up and then access in related key function.

7. Tutorial function (#2)

- Press the tutorial key to enter the function, wait for the white key selecting songs.
- Playing keyboard, tonic will be covered, tonic will resume without playing in 3 seconds, learning the keyboard playing.
- After the end of the song, waiting for the selections by white key

V. Roll up piano using details

- You should take out the battery while not using piano, in order to avoid the damage caused by batteries leak.
- In order to make sure every function is available, please put the piano flat wise, and try not to move piano when using it, or unexpected damage will happened.
- You should not roll too tight after using it, or the key function will affected and the product lifetime will reduce.
- Please don't pull or twist piano keyboard.
- Don't put piano in high temperature or drippy place
- Don't separate any parts of this piano.
- In order to protect piano function, Please do not set piano in strong radio wave place.

Simple trouble shooting

- If piano stops working or abnormal sound come out while using it, may the battery run out, please change another new battery.
- If the sound is abnormal, may the key function is unavailable, please turn off the power, restart the machine, then restore the original settings.

4

Annex one :rhythm name list

| Rhythm No | Rhythm Name |
|-----------|-------------------------|
| T00 | Acoustic Grand Piano |
| T01 | Orchestral Harp |
| T02 | Church Organ |
| T03 | Tubular Bell |
| T04 | Electric Guitar (jazz) |
| T05 | Violin |
| T06 | String Ensemble 1 |
| T07 | Acoustic Guitar (steel) |

Annex Two :Song List (#1)

| Song No | Song Name |
|---------|----------------------------|
| S00 | For Alice |
| S01 | Dream wedding |
| S02 | Kangding love songs |
| S03 | Xinyu |
| S04 | Qinghai Tibet Plateau |
| S05 | In the peach blossom place |

(#2)

| Song No | Song Name |
|---------|----------------------------|
| S00 | In the peach blossom place |
| S01 | Qinghai Tibet Plateau |
| S02 | Xinyu |
| S03 | Kangding love songs |
| S04 | Dream wedding |
| S05 | For Alice |

5

小册子W105*H148MM