



悬臂控制箱系列 Cantilever Control Box Series

悬臂控制箱的铝管及组件表面采用喷塑处理，组件全部采用铝合金压铸工艺制造，结构简单、安装方便，可广泛应用于数控机床，装配线及专用设备上各类人机界面和附件的安装等场景。

The aluminum tubes and components of the cantilever control box are treated with spray coating on the surface, and all components are manufactured using aluminum alloy die-casting technology. The structure is simple and easy to install, which can be widely used in various scenarios such as installation of human-machine interfaces and accessories on CNC machine tools, assembly lines, and special equipment.



RA-120/140/180系列控制箱

RA-120/140/180 series control box

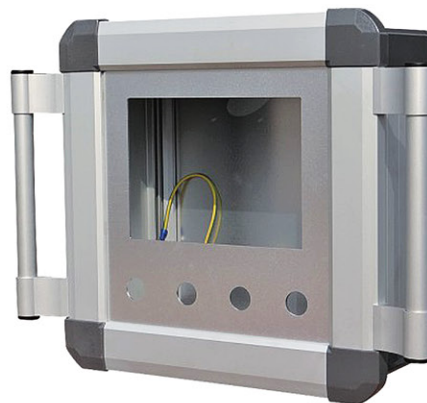
RA-120/140/180系列控制箱由高品质阳极氧化铝型材和铝压铸角部件拼接而成。简洁外观设计，结构稳固。表面阳极氧化的铝型材更易于擦拭，始终保持箱体光亮如新。

控制箱广泛应用在数控机床，装配线及专用设备上各类人机界面和附件的安装，配合悬臂或支撑系统，完全能符合实际操作的要求。

箱体尺寸均按用户需求定制。

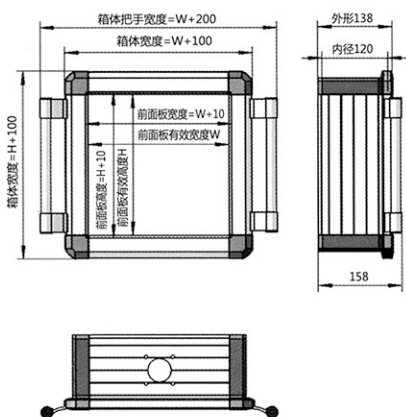
RA-120/140/180 series control box is made of high-quality anodized aluminum profiles and aluminum die-cast corner parts. Simple and clean design, stable structure. The anodized aluminum profile is easier to wipe and keep the cabinet bright as new.

The control box is widely used for the installation of various man-machine interfaces and accessories on CNC machine tools, assembly lines and special equipment. The use of cantilever or support system can fully meet the requirements of actual operation.



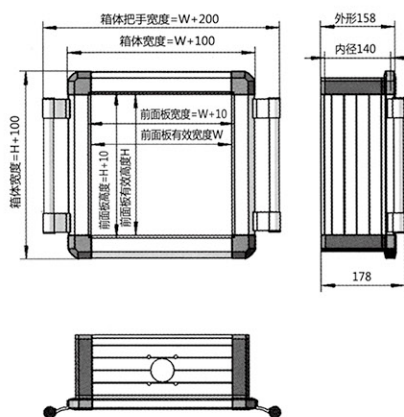
RA-120箱体参数图

RA-120 Box Cabinet parameter diagram



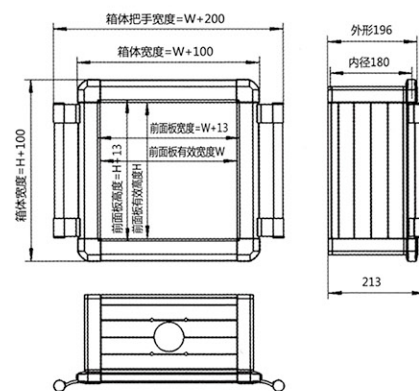
RA-140箱体参数图

RA-140 Box Cabinet parameter diagram



RA-180箱体参数图

RA-180 Box Cabinet parameter diagram



基本性能及参数 / Basic performance and parameters



- 有效安装深度：RA-120: 120mm; RA-140: 140mm; RA-180: 180mm
- 定制最大尺寸：前面板宽度<700mm; 前面板高度<800mm
- 防护等级：后开门：IP54; 螺钉固定后面板：IP65
- 材料：铝型材和把手：铝合金6063; 角部件：压铸铝合金102; 把手固定件：PA66
- 颜色：铝型材和把手：阳极氧化铝本色
角部件：岩石灰，近似RAL7012
后门(后面板)：2.5mm铝板、不锈钢，表面喷涂，银灰色、拉丝
把手固定件：银灰色

- Effective installation depth: RA-120: 120mm, RA-140: 140mm, RA-180: 180mm
- Customized maximum size: Width of front panel <700mm, Height of front panel <800mm
- Protection level: Back door: IP54; Screw fixation rear panel: IP65
- Material: Aluminum profile and handle: Aluminum alloy 6063
Corner parts: Die-cast aluminum alloy 102
Handle fastener: PA66
- Color: Handle fastener: Anodized aluminum itself color
Corner parts: Rock gray, Similar RAL7012
Back door (rear panel): 2.5 mm Aluminum plate, Stainless steel, Surface painting, Silver gray, Brushed surface treatment
Handle fastener: silver gray

RA-90/230系列控制箱

RA-90/230 Series Control box

RA-90/230系列控制箱由高品质阳极氧化铝型材和铝压铸角部件拼接而成。简洁外观设计，结构稳固。表面阳极氧化的铝型材更易于擦拭，始终保持箱体光亮如新。

控制箱广泛应用于数控机床，装配线及专用设备上各类人机界面和附件的安装，配合悬臂或支撑系统，完全能符合实际操作的要求。箱体尺寸均按用户需求定制。

The RA-90/230 series control box is made of high-quality anodized aluminum profiles and aluminum die-cast corner parts .Simple and clean design,stable structure.The anodized aluminum profile is easier to wipe and keep the cabinet bright as new.

The control box is widely used for the installation of various man-machine interfaces and accessories on CNC machine tools, assembly lines and special equipment. The use of cantilever or support system can fully meet the requirements of actual operation.

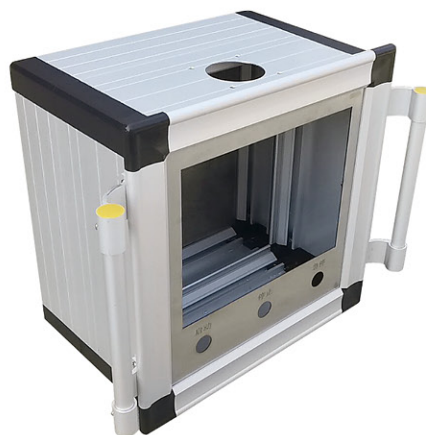
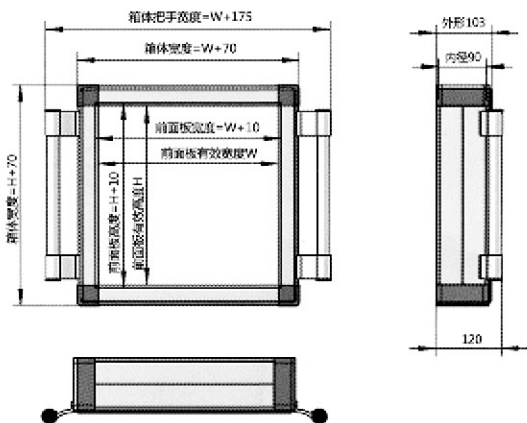
基本性能及参数 / Basic performance and parameters

- 有效安装深度: RA-90: 90mm RA-230: 230mm
- 防护等级: 后开门: IP54; 螺钉固定后面板: IP65
- 材料: 铝型材和把手: 铝合金6063; 角部件: 压铸铝合金102;
把手固定件: PA66
- 颜色: 铝型材和把手: 阳极氧化铝本色
角部件: 岩石灰, 近似RAL7012
后门(后面板): 2.5mm铝板、不锈钢, 表面喷涂, 银灰色、拉丝
把手固定件: 银灰色

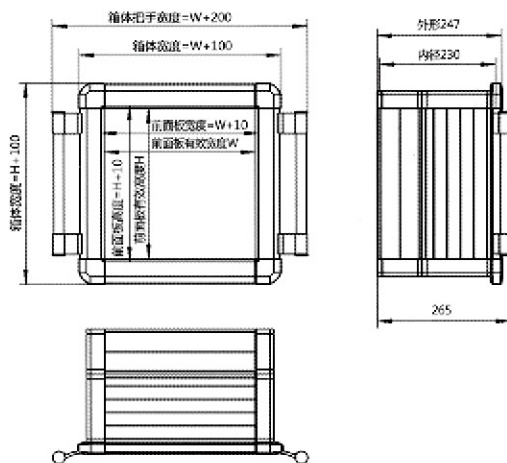
- Effective installation depth: RA-90: 90mm, RA-230:230mm
- Protection level: Back door: IP54; Screw fixation rear panel: IP65
- Material: Aluminum profile and handle: Aluminum alloy 6063
Corner parts: Die-cast aluminum alloy102
Handle fastener: PA66
- Color: Handle fastener: Anodized aluminum itself color
Corner parts: Rock gray, Similar RAL7012
Back door (rear panel): 2.5 mm Aluminum plate, Stainless steel, Surface painting, Silver gray, Brushed surface treatment.
Handle fastener: silver gray



RA-90箱体参数图
RA-90 Box Cabinet parameter diagram



RA-230箱体参数图
RA-230 Box Cabinet parameter diagram



国际销售部 (International Sales Department):

电话 (Tel): +86-512-52503703 手机 (M.P): +86-17351130120 18913715738 Http://www.kwld.com E-mail: info@kwld.com



RA-50/180系列控制箱支架

RA-50/180 Series Control box

控制箱支架由高品质阳极氧化铝型材和铝压铸部件构成。外观设计简洁，结构轻盈稳固。立柱部分表面阳极氧化处理，与控制箱体浑然一体，前倾斜度设计形成的向后7度仰角更符合人体工程学原理。底盘部分采用表面深灰色喷塑工艺，符合工业场合需求。

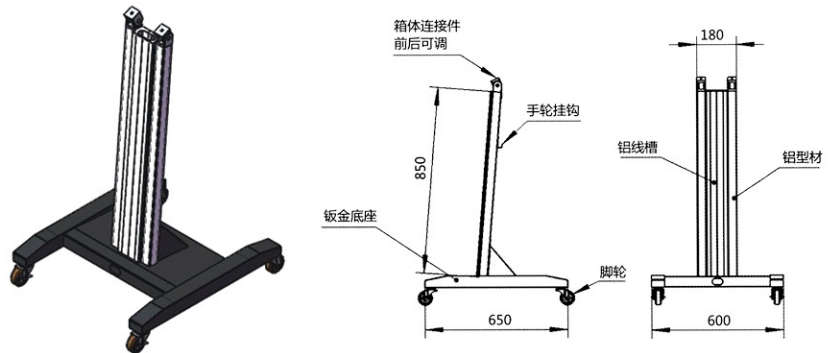
该支架可配合RA-90，RA-140，RA-180，RA-230系列及其他型号的控制箱体。底盘脚轮或支撑底脚为标准配件，无需另行订购。

The RA-50/180 series control box Bracket is made of high-quality anodized aluminum profiles and aluminum die-cast corner parts. Simple and clean design, stable structure. The surface of the column is anodized and integrated with the control box. The 7 degrees elevation angle is more in line with the principle of ergonomics.

The Bracket will be suitable for control box of RA-80, RA-140, RA-180, RA-230 and other series.

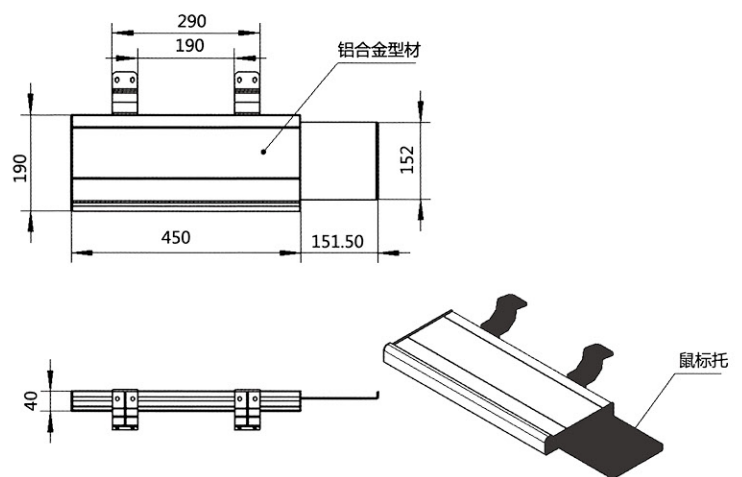
基本性能及参数 / Basic performance and parameters

- 外形尺寸(合脚轮或支撑底脚): 高 × 宽 × 深: 1100mm × 600mm × 650mm
- 材料: 立柱型材: 铝合金6063
底盘框架材质: 钢板Q235
- 颜色: 立柱: 阳极氧化铝本色或喷塑岩石灰色;
底盘框架: 喷塑, 岩石灰, 近似RAL7012
- Main dimension: Height *width*depth: 1100mm* 600mm* 650mm
- Material: Column profile: aluminum alloy 6063
Chassis frame: painted steel plate Q235
- Color: Column profile: Anodized aluminum itself color or Plastic sprayed rock gray
Chassis frame: RAL7012



RA-键盘托架

RA-keyboard tray



RA-45/60系列轻型悬臂组件

RA-45/60 Series Light weight type cantilever component

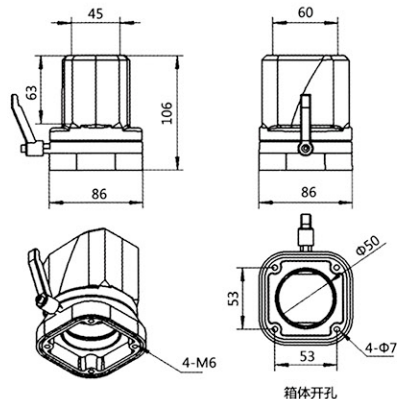
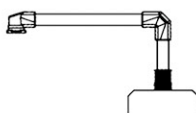


该系列轻型悬臂组件配合45×60mm铝管，用于悬挂或支撑小型控制箱体(7寸-10寸)。铝管及组件表面采用喷塑处理，组件全部采用铝合金压铸工艺制造，在保证强度及合理的结构下，更注重了外观的特有风格。

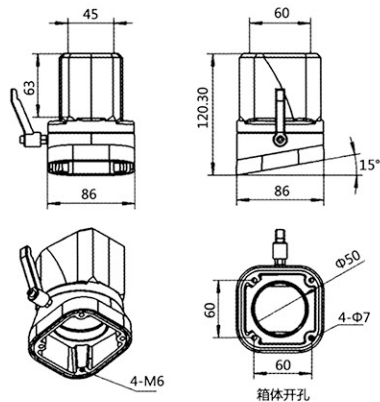
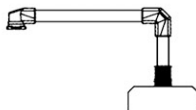
This series of light cantilever components are matched with 45*60mm aluminum tubes, Used to hang or support a small control box. The surface of the aluminum tube and the components are treated with plastic spraying, and the components are all manufactured by aluminum alloy die-casting process. Under the guarantee of strength and reasonable structure, more attention is paid to the unique style of appearance.



品名：箱座
订货号：RA-45/60-A+B
重量：0.9kg
材料：压铸铝合金
可水平旋转0-320°
Product name: Box seat
Order number: RA-45/60-A+B
Weight: 0.9kg
Material: Die-cast aluminum alloy
Can be rotated horizontally 0-320°



品名：15° 箱座
订货号：RA-45/60-A+X
重量：0.9kg
材料：压铸铝合金
可水平旋转0-320°
Product name: 15° Box seat
Order number: RA-45/60-A+X
Weight: 0.9kg
Material: Die-cast aluminum alloy
Can be rotated horizontally 0-320°

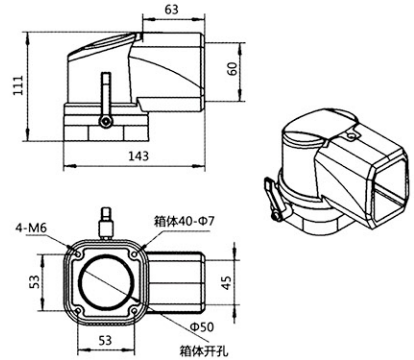
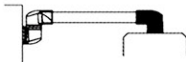


RA-45/60系列轻型悬臂组件

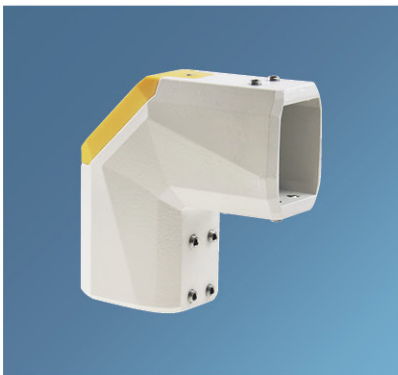
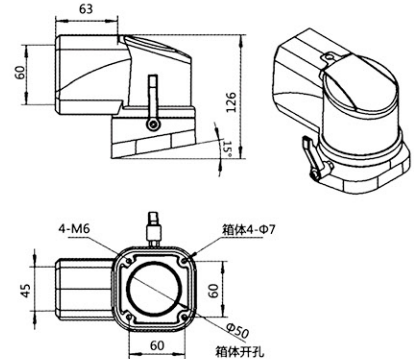
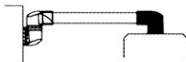
RA-45/60 Series Light weight type cantilever component



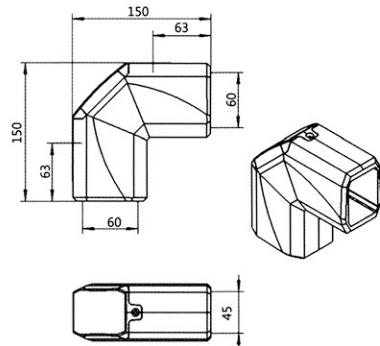
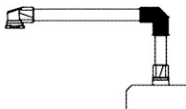
品名: 直角箱座
 订货号: RA-45/60-C+B
 重量: 1.1kg
 材料: 压铸铝合金
 可水平旋转0-320°
 Product name: right-angled Box seat
 Order number: RA-45/60-C+B
 Weight: 1.1kg
 Material: Die-cast aluminum alloy
 Can be rotated horizontally 0-320°



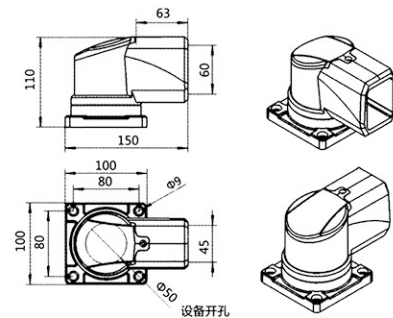
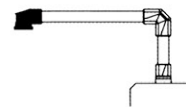
品名: 直角15° 箱座
 订货号: RA-45/60-C+X
 重量: 1.1kg
 材料: 压铸铝合金
 可水平旋转0-320°
 Product name: right-angled 15° Box seat
 Order number: RA-45/60-C+X
 Weight: 1.1kg
 Material: Die-cast aluminum alloy
 Can be rotated horizontally 0-320°



品名: 直角转角
 订货号: RA-45/60-D
 重量: 1.06kg
 材料: 压铸铝合金
 Product name: right-angled corner
 Order number: RA-45/60-D
 Weight: 1.06kg
 Material: Die-cast aluminum alloy



品名: 顶座
 订货号: RA-45/60-C+E
 重量: 1.13kg
 材料: 压铸铝合金
 可水平旋转0-320°
 Product name: Top seat
 Order number: RA-45/60-C+E
 Weight: 1.13kg
 Material: Die-cast aluminum alloy
 Can be rotated horizontally 0-320°

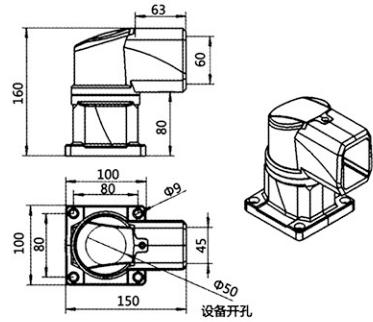
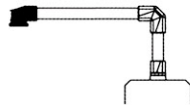


RA-45/60系列轻型悬臂组件

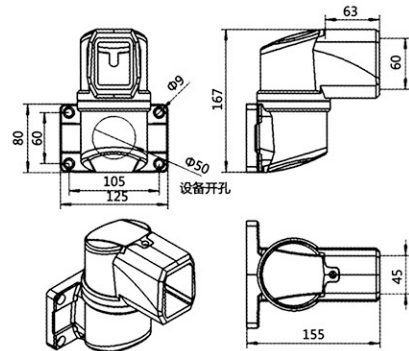
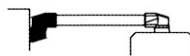
RA-45/60 Series Light weight type cantilever component



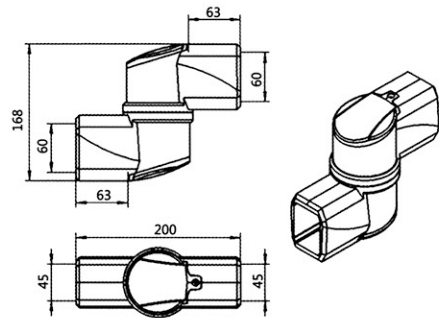
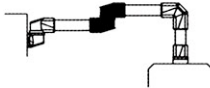
品名: 加高顶座
订货号: RA-45/60-I+G
重量: 1.13kg
材料: 压铸铝合金
可水平旋转0-320°
Product name: Heightened Top seat
Order number: RA-45/60-I+G
Weight: 1.13kg
Material: Die-cast aluminum alloy
Can be rotated horizontally 0-320°



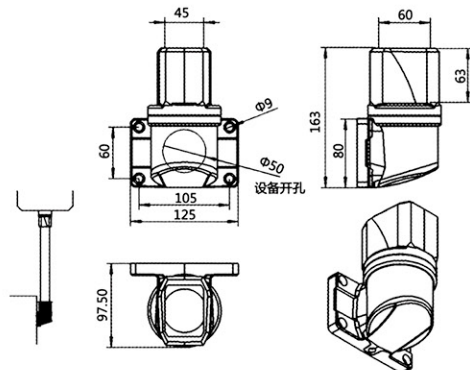
品名: 水平墙座
订货号: RA-45/60-C+F
重量: 1.36kg
材料: 压铸铝合金
可水平旋转0-320°
Product name: Horizontal wall base
Order number: RA-45/60-C+F
Weight: 1.36kg
Material: Die-cast aluminum alloy
Can be rotated horizontally 0-320°



品名: 直角转角
订货号: RA-45/60-C+G
重量: 1.52kg
材料: 压铸铝合金
可水平旋转0-320°
Product name: right-angled corner
Order number: RA-45/60-C+G
Weight: 1.52kg
Material: Die-cast aluminum alloy
Can be rotated horizontally 0-320°

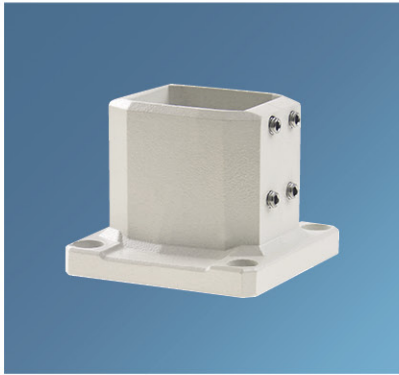


品名: 垂直墙座
订货号: RA-45/60-A+F
重量: 1.17kg
材料: 压铸铝合金
可水平旋转0-320°
Product name: Vertical wall base
Order number: RA-45/60-A+F
Weight: 1.17kg
Material: Die-cast aluminum alloy
Can be rotated horizontally 0-320°

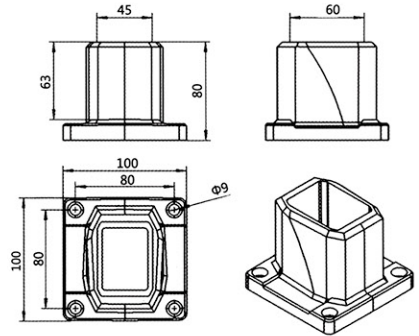


RA-45/60系列轻型悬臂组件

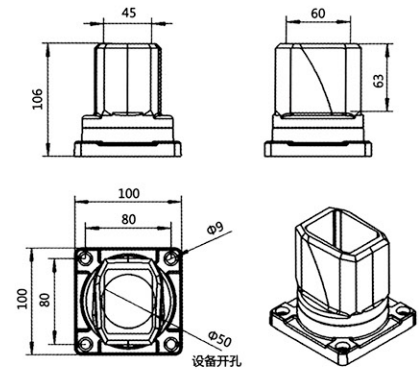
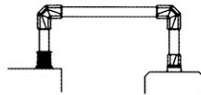
RA-45/60 Series Light weight type cantilever component



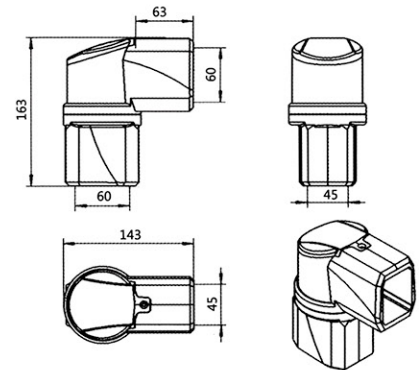
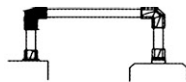
品名: 底座
订货号: RA-45/60-H
重量: 0.5kg
材料: 压铸铝合金
Product name: Base
Order number: RA-45/60-H
Weight: 0.5kg
Material: Die-cast aluminum alloy



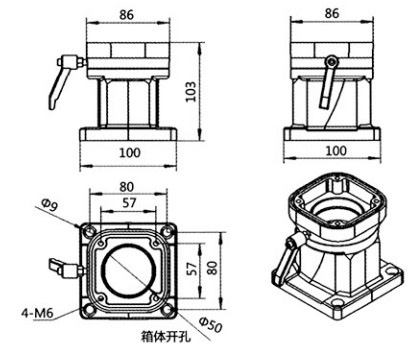
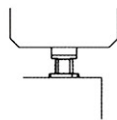
品名: 旋转底座
订货号: RA-45/60-A+E
重量: 0.94kg
材料: 压铸铝合金
可水平旋转0-320°
Product name: Rotate base
Order number: RA-45/60-A+E
Weight: 0.94kg
Material: Die-cast aluminum alloy
Can be rotated horizontally 0-320°



品名: 旋转90° 转角
订货号: RA-45/60-A+G
重量: 1.32kg
材料: 压铸铝合金
可水平旋转0-320°
Product name: Rotate 90° angle
Order number: RA-45/60-A+G
Weight: 1.32kg
Material: Die-cast aluminum alloy
Can be rotated horizontally 0-320°



品名: 旋转箱底座
订货号: RA-45/60-I+B
重量: 0.95kg
材料: 压铸铝合金
Product name: Rotate box base
Order number: RA-45/60-I+B
Weight: 0.95kg
Material: Die-cast aluminum alloy

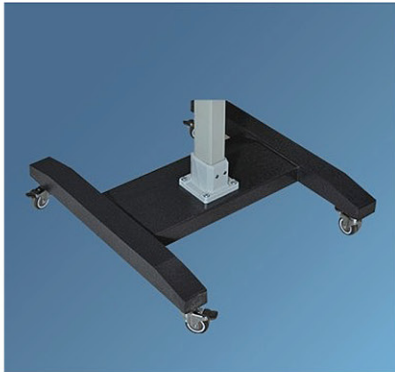
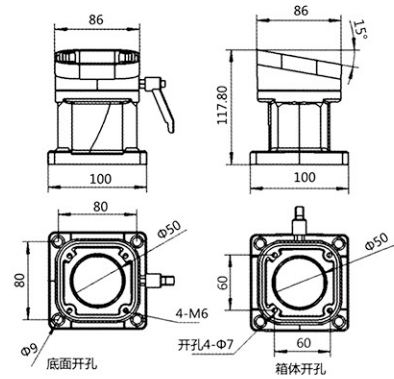
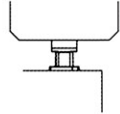


RA-45/60系列轻型悬臂组件

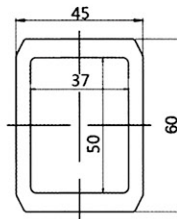
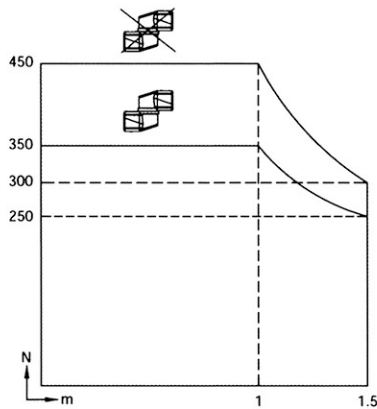
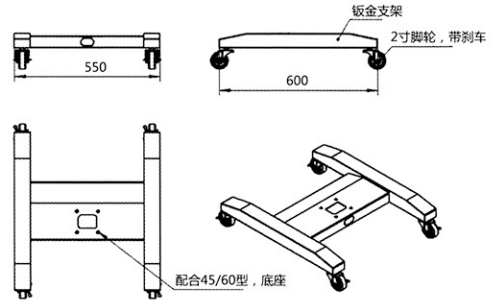
RA-45/60 Series Light weight type cantilever component



品名: 15° 旋转箱底座
 订货号: RA-45/60-I+J
 重量: 0.95kg
 材料: 压铸铝合金
 Product name: 15° Rotating box base
 Order number: RA-45/60-I+J
 Weight: 0.95kg
 Material: Die-cast aluminum alloy



品名: 移动底盘
 订货号: RA-45/60/550
 重量: 5kg
 材料: 钢Q235
 标配: 胶轮及底脚
 Product name: Movable chassis
 Order number: RA-45/60/550
 Weight: 5kg
 Material: Steel Q235
 Standard configuration: Rubber wheels and feet



45/60铝管规格表 (配45/60轻型悬臂)
 Aluminum tube specification table
 (Match with 45/60 light cantilever)

铝管长度 Aluminum tube length	订货号 Order number
0.25m	45/60-250
0.5m	45/60-500
1m	45/60-1000
1.5m	45/60-1500
2m	45/60-2000

RA-55/75系列中型悬臂组件

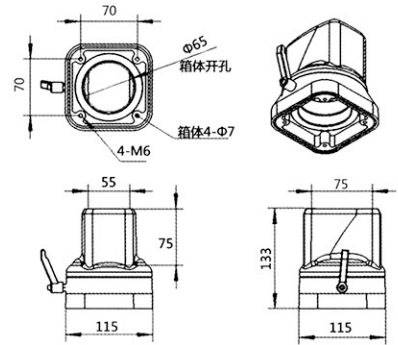
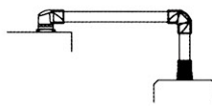
RA-55/75 Medium type cantilever component

该系列中型悬臂组件配合55×75mm铝管，用于悬挂或支撑中型控制箱体。铝管及组件表面采用喷塑处理，组件全部采用铝合金压铸工艺制造，在保证强度及合理的结构下，更注重了外观的特有风格。

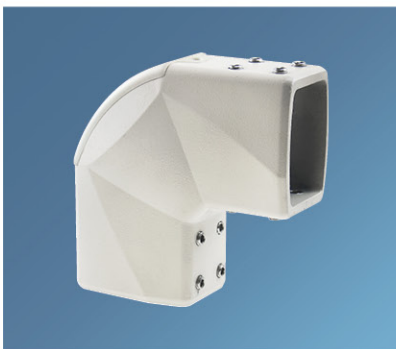
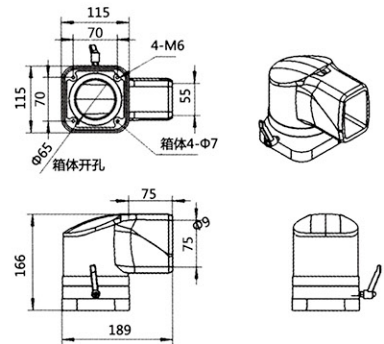
This series of Medium type cantilever components are matched with 55*75mm aluminum tubes, which can hang or support medium-sized control boxes. The surface of the aluminum tube and the components are treated with plastic spraying, and the components are all manufactured by aluminum alloy die-casting process. Under the guarantee of strength and reasonable structure, more attention is paid to the unique style of appearance.



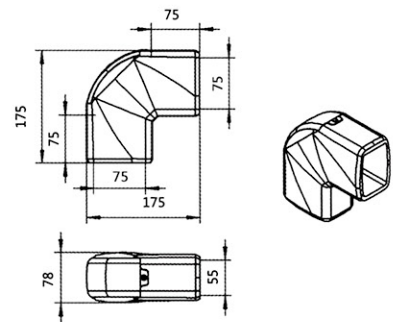
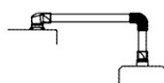
品名: 箱座
订货号: RA-55/75-A+B
重量: 1.8kg
材料: 压铸铝合金
可水平旋转0-320°
Product name: Box seat
Order number: RA-55/75-A+B
Weight: 1.8kg
Material: Die-cast aluminum alloy
Can be rotated horizontally 0-320°



品名: 直角箱座
订货号: RA-55/75-C+B
重量: 2.6kg
材料: 压铸铝合金
可水平旋转0-320°
Product name: Right-angle box seat
Order number: RA-55/75-C+B
Weight: 2.6kg
Material: Die-cast aluminum alloy
Can be rotated horizontally 0-320°



品名: 直角转角
订货号: RA-55/75-D
重量: 1.3kg
材料: 压铸铝合金
Product name: Right-angle and Corner
Order number: RA-55/75-D
Weight: 1.3kg
Material: Die-cast aluminum alloy

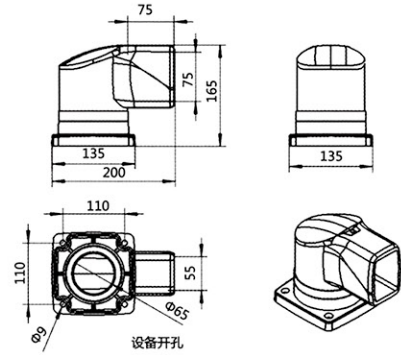
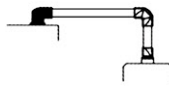


RA-55/75系列中型悬臂组件

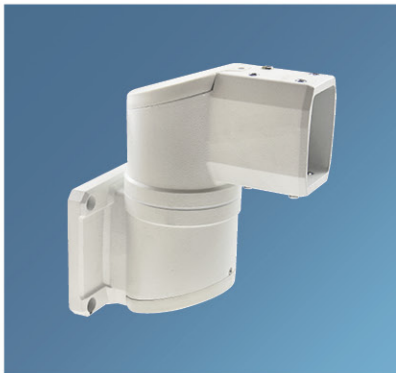
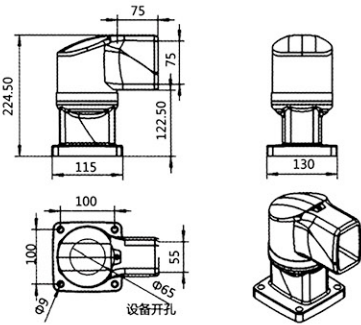
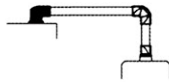
RA-55/75 Medium type cantilever component



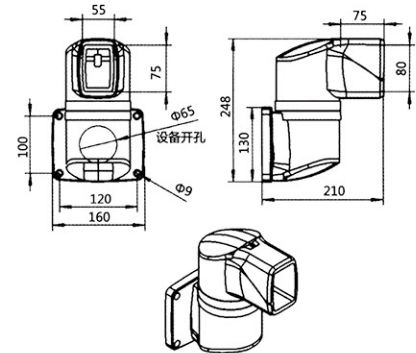
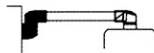
品名: 顶座
 订货号: RA-55/75-C+E
 重量: 2.7kg
 材料: 压铸铝合金
 可水平旋转0-320°
 Product name: Top seat
 Order number: RA-55/75-C+E
 Weight: 2.7kg
 Material: Die-cast aluminum alloy
 Can be rotated horizontally 0-320°



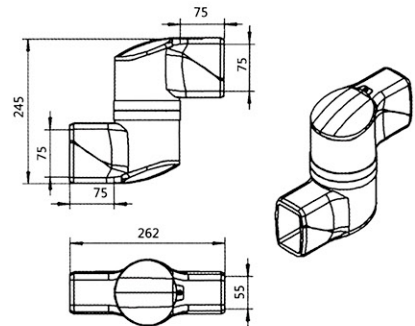
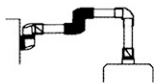
品名: 加高顶座
 订货号: RA-55/75-I+G
 重量: 3.0kg
 材料: 压铸铝合金
 可水平旋转0-320°
 Product name: Heightened Top seat
 Order number: RA-55/75-I+G
 Weight: 3.0kg
 Material: Die-cast aluminum alloy
 Can be rotated horizontally 0-320°



品名: 水平墙座
 订货号: RA-55/75-C+F
 重量: 3.3kg
 材料: 压铸铝合金
 可水平旋转0-320°
 Product name: Horizontal wall base
 Order number: RA-55/75-C+F
 Weight: 3.3kg
 Material: Die-cast aluminum alloy
 Can be rotated horizontally 0-320°



品名: 中绞
 订货号: RA-55/75-C+G
 重量: 3.4kg
 材料: 压铸铝合金
 可水平旋转0-320°
 Product name: Medium twist
 Order number: RA-55/75-C+G
 Weight: 3.4kg
 Material: Die-cast aluminum alloy
 Can be rotated horizontally 0-320°

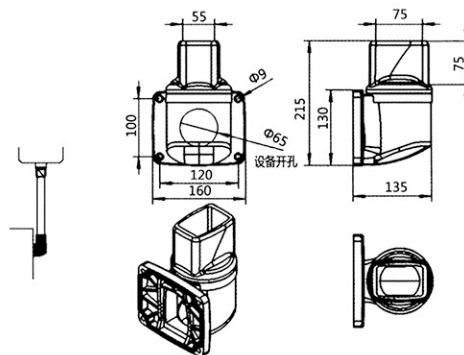


RA-55/75系列中型悬臂组件

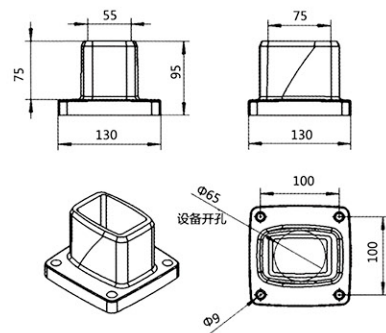
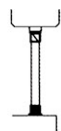
RA-55/75 Medium type cantilever component



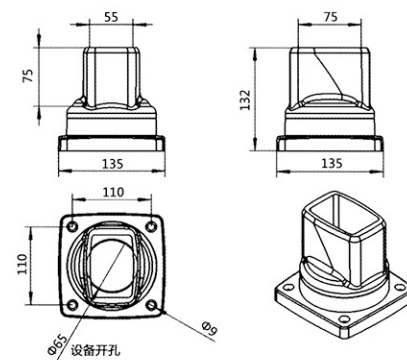
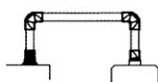
品名: 垂直墙座
订货号: RA-55/75-A+F
重量: 2.6kg
材料: 压铸铝合金
可水平旋转0-320°
Product name: Vertical wall base
Order number: RA-55/75-A+F
Weight: 2.6kg
Material: Die-cast aluminum alloy
Can be rotated horizontally 0-320°



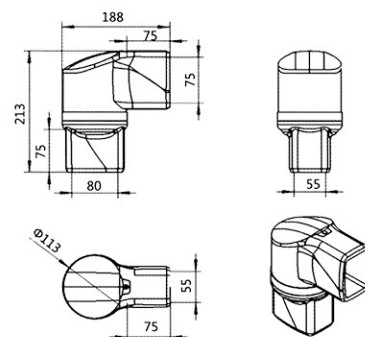
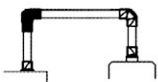
品名: 底座
订货号: RA-55/75-H
重量: 0.83kg
材料: 压铸铝合金
Product name: Base
Order number: RA-55/75-H
Weight: 0.83kg
Material: Die-cast aluminum alloy



品名: 旋转底座
订货号: RA-55/75-A+E
重量: 2.0kg
材料: 压铸铝合金
可水平旋转0-320°
Product name: Rotate base
Order number: RA-55/75-A+E
Weight: 2.0kg
Material: Die-cast aluminum alloy
Can be rotated horizontally 0-320°



品名: 旋转90° 转角
订货号: RA-55/75-A+G
重量: 2.7kg
材料: 压铸铝合金
可水平旋转0-320°
Product name: Rotate 90° angle
Order number: RA-55/75-A+G
Weight: 2.7kg
Material: Die-cast aluminum alloy
Can be rotated horizontally 0-320°

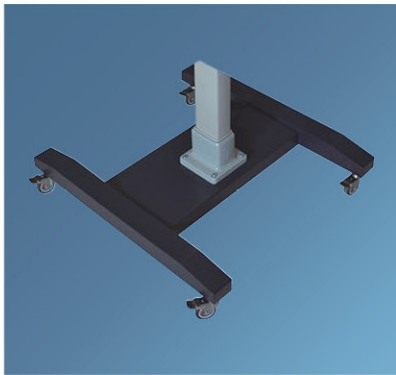
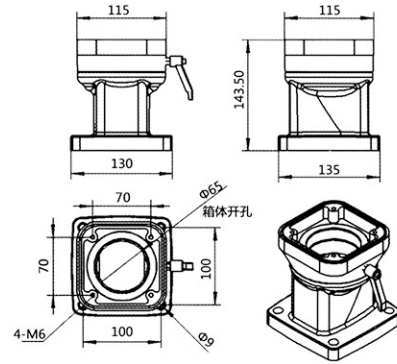
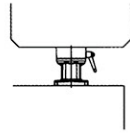


RA-55/75系列中型悬臂组件

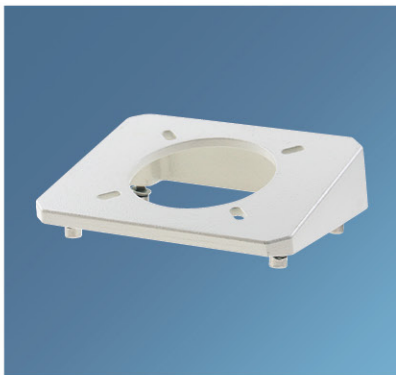
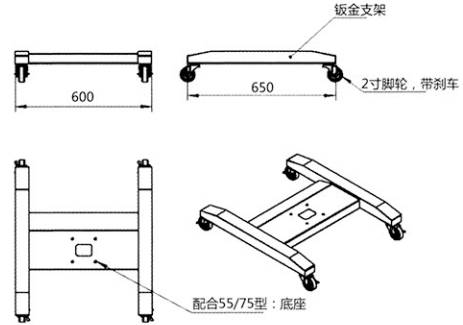
RA-55/75 Medium type cantilever component



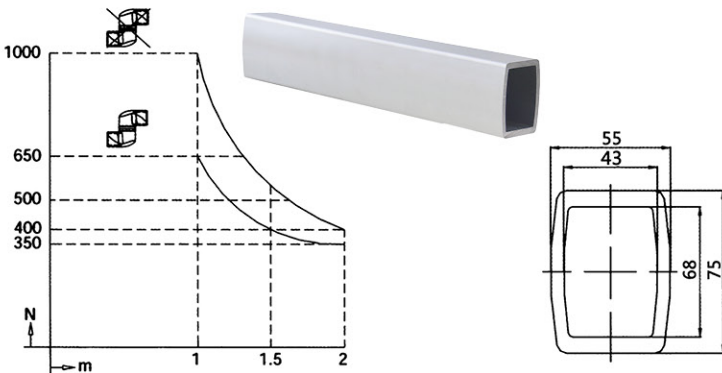
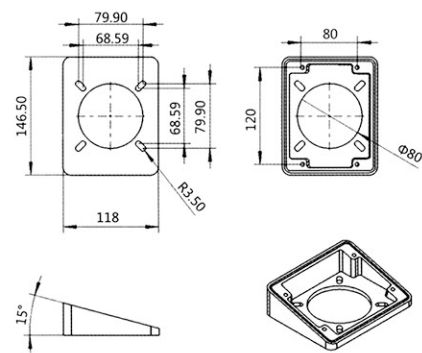
品名: 旋转箱底座
 订货号: RA-55/75-I+B
 重量: 1.9kg
 材料: 压铸铝合金
 Product name: Rotating box base
 Order number: RA-55/75-I+B
 Weight: 1.9kg
 Material: Die-cast aluminum alloy



品名: 移动底盘
 订货号: RA-55/75/600
 重量: 6kg
 材料: 钢Q235
 标配: 胶轮及底座
 Product name: Movable chassis
 Order number: RA-55/75/600
 Weight: 6kg
 Material: Steel Q235
 Standard configuration: Rubber wheels and feet



品名: 15° 斜面
 订货号: RA-55/75-X
 重量: 0.45kg
 材料: 压铸铝合金
 Product name: 15° inclined plane
 Order number: RA-55/75-X
 Weight: 0.45kg
 Material: Die-cast aluminum alloy



55/75铝管规格表 (配55/75中型悬臂)
 Aluminum tube specification table
 (Match with 55/75 Medium cantilever)

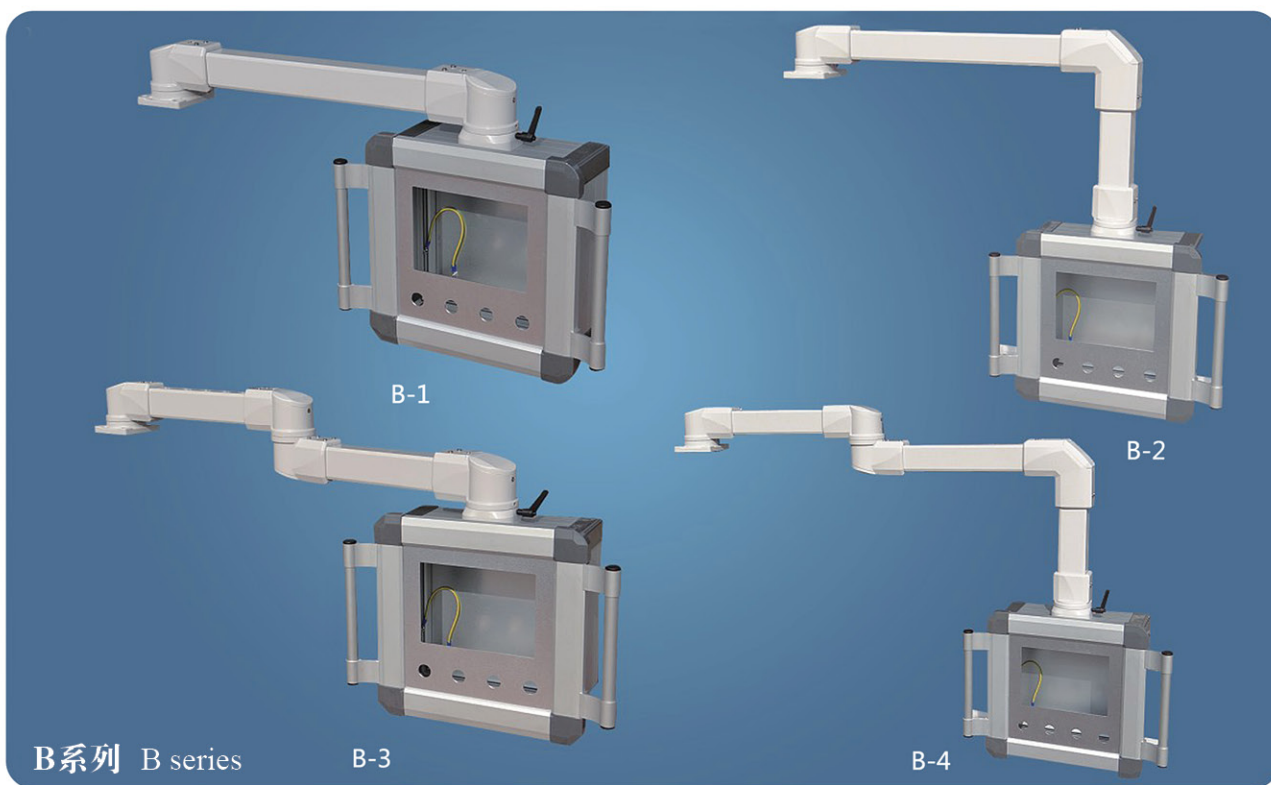
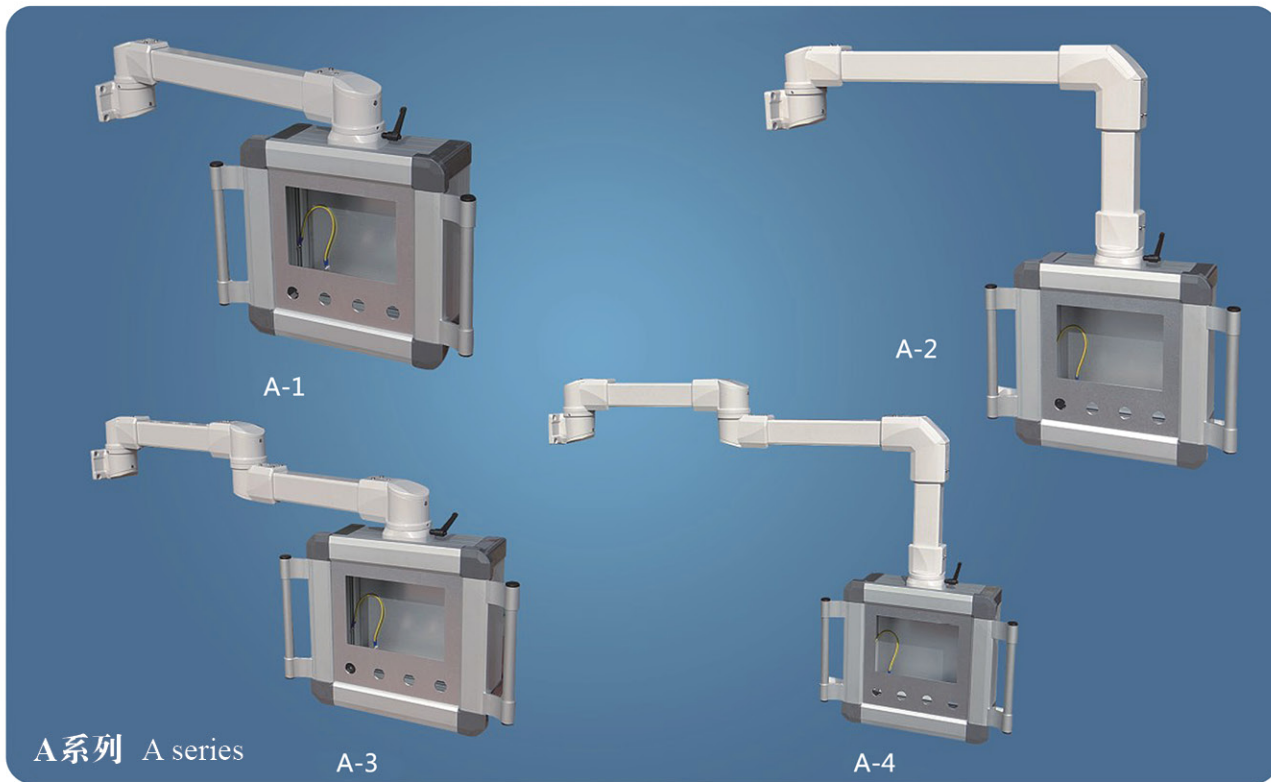
铝管长度	订货号
Aluminum tube length	Order number
0.25m	55/75-250
0.5m	55/75-500
1m	55/75-1000
1.5m	55/75-1500
2m	55/75-2000

国际销售部 (International Sales Department):

电话 (Tel): +86-512-52503703 手机 (M.P): +86-17351130120 18913715738 Http://www.kwld.com E-mail: info@kwld.com

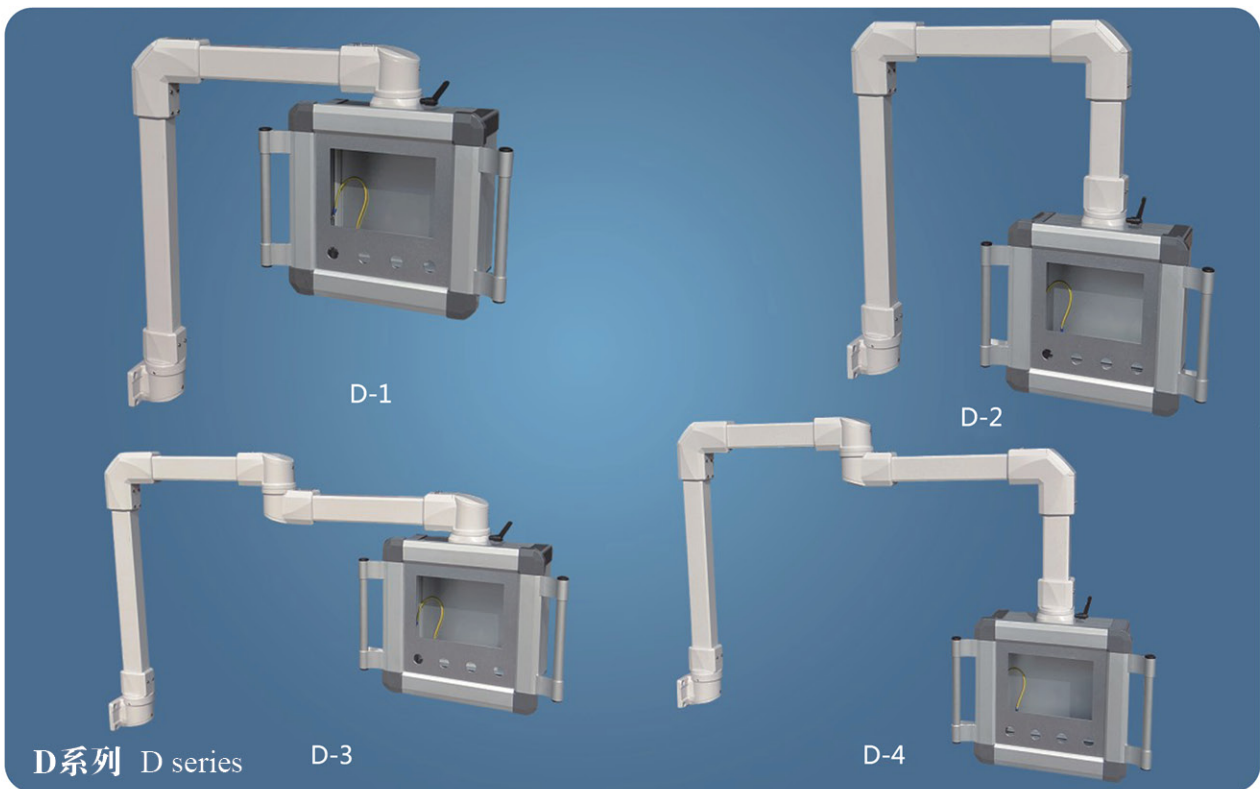
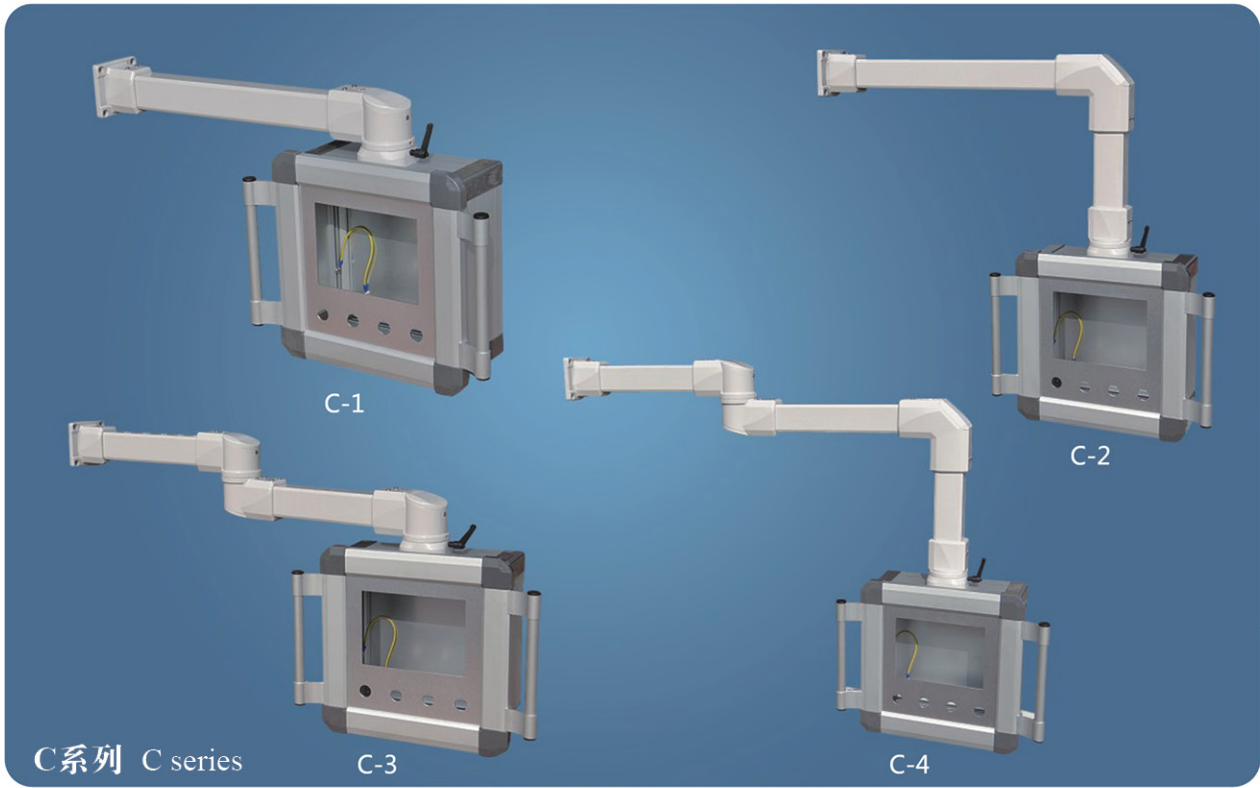


悬臂装配系列 Cantilever assembly series



悬臂装配系列

Cantilever assembly series



塑料拖链系列
Plastic Cable Chains Series

钢制拖链系列
Steel Cable Chains Series

机床防护罩系列
Machine Shield Series

排屑输送机系列
Chip Conveyor Series

油雾净化器系列
Oil Mist Collector Series

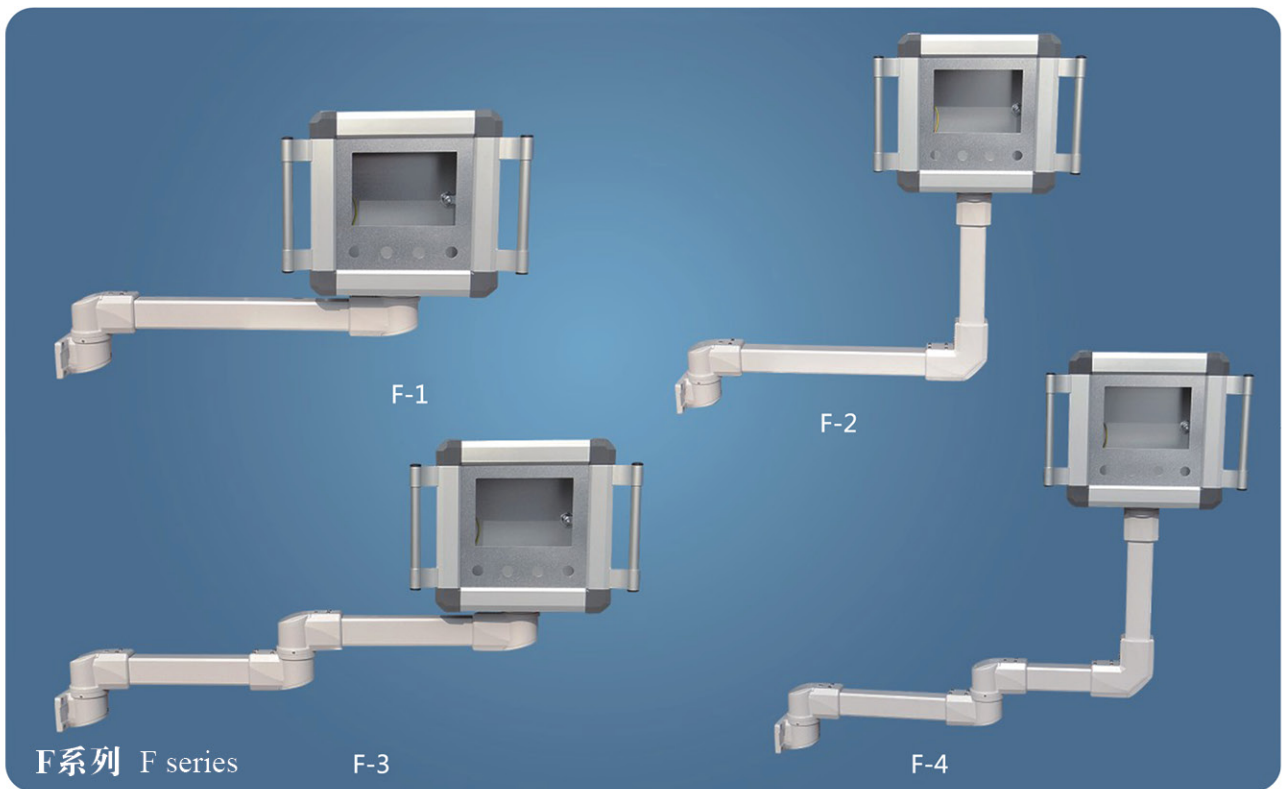
悬臂控制箱系列
Cantilever Control Box Series

国际销售部 (International Sales Department):

电话 (Tel): +86-512-52503703 手机 (M.P): +86-17351130120 18913715738 [Http://www.kwld.com](http://www.kwld.com) E-mail: info@kwld.com

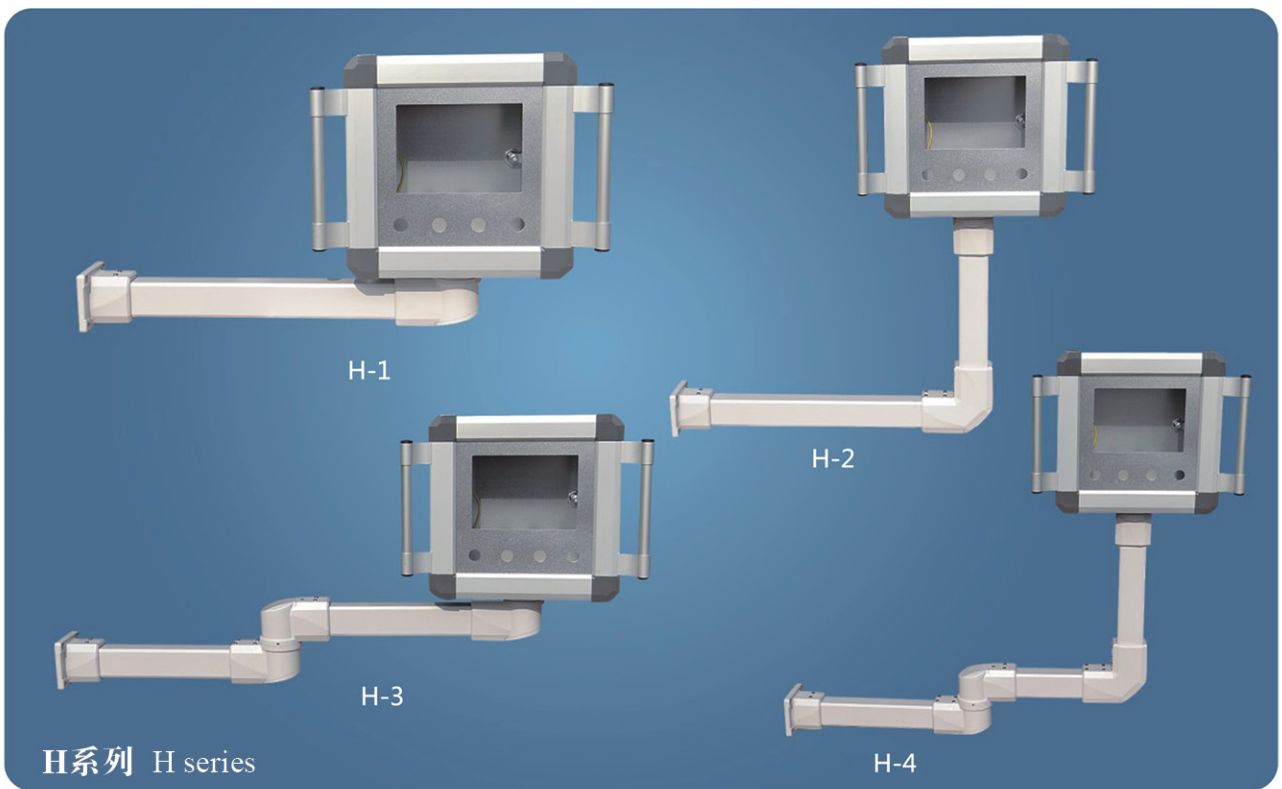
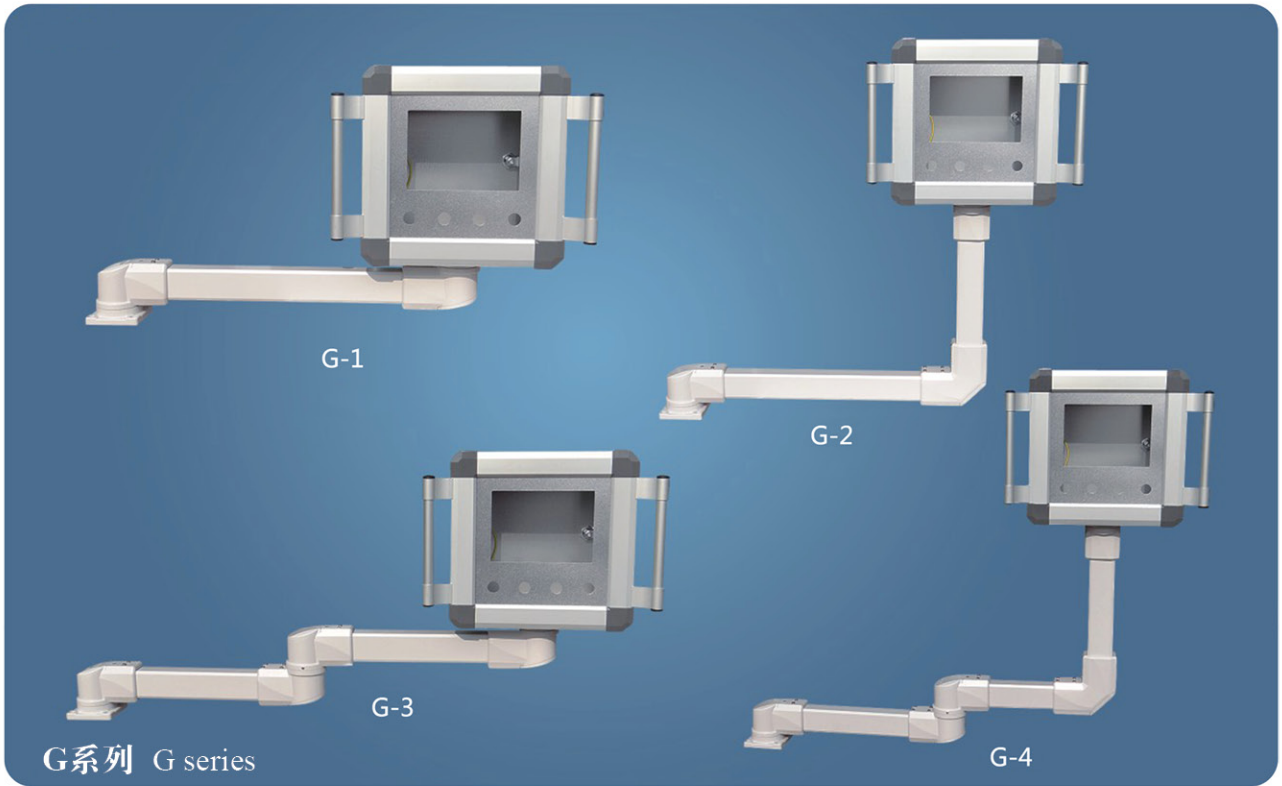


悬臂装配系列 Cantilever assembly series



悬臂装配系列

Cantilever assembly series



塑料拖链系列
Plastic Cable Chains Series

钢制拖链系列
Steel Cable Chains Series

机床防护罩系列
Machine Shield Series

排屑输送机系列
Chip Conveyor Series

油雾净化器系列
Oil Mist Collector Series

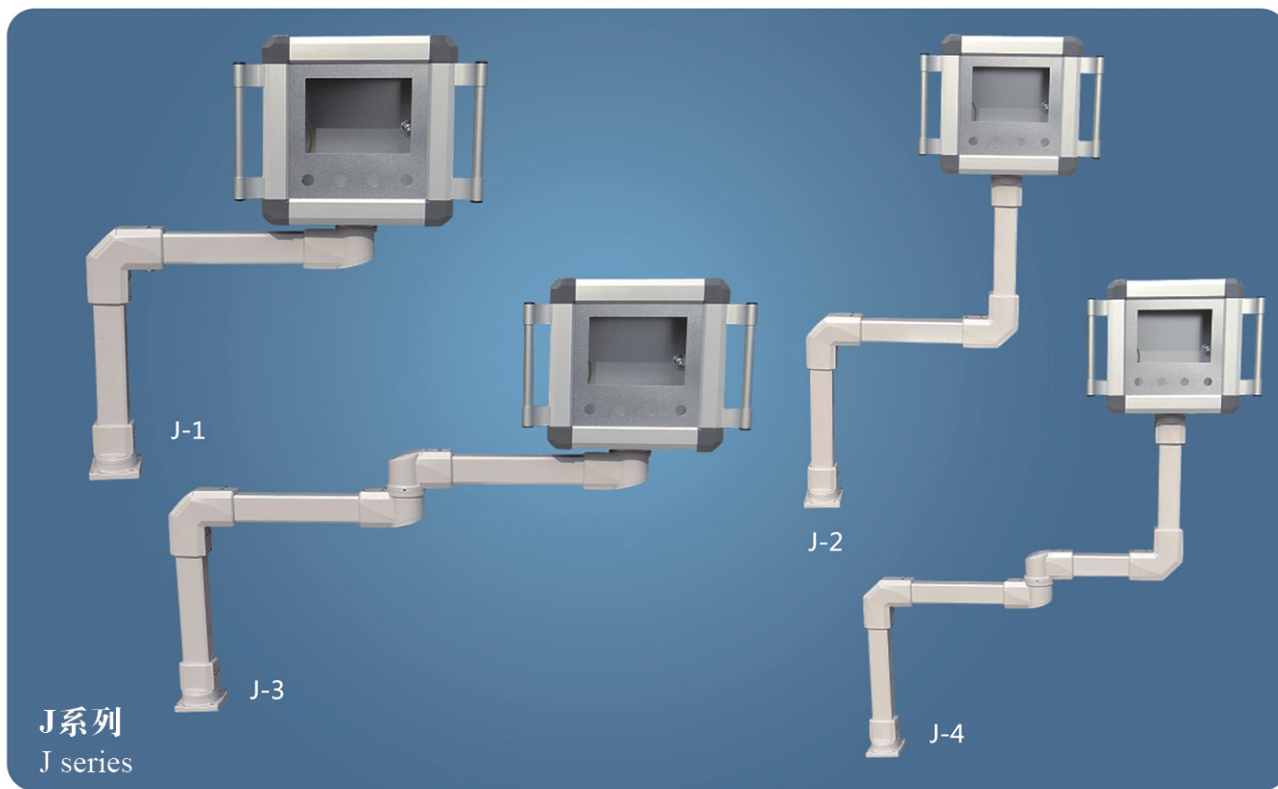
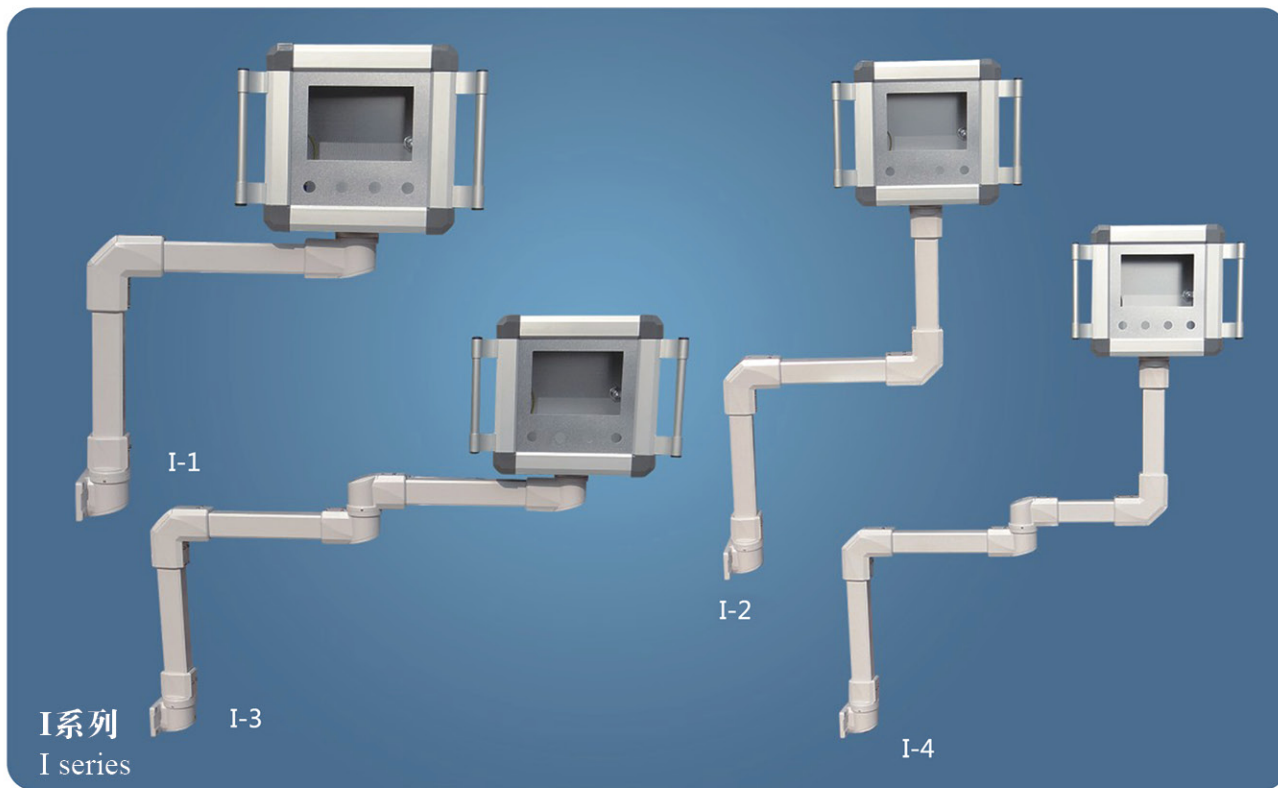
悬臂控制箱系列
Cantilever Control Box Series

国际销售部 (International Sales Department):

电话 (Tel): +86-512-52503703 手机 (M.P): +86-17351130120 18913715738 [Http://www.kwld.com](http://www.kwld.com) E-mail: info@kwld.com



悬臂装配系列 Cantilever assembly series



悬臂装配系列

Cantilever assembly series



塑料拖链系列
Plastic Cable Chains Series

钢制拖链系列
Steel Cable Chains Series

机床防护罩系列
Machine Shield Series

排屑输送机系列
Chip Conveyor Series

油雾净化器系列
Oil Mist Collector Series

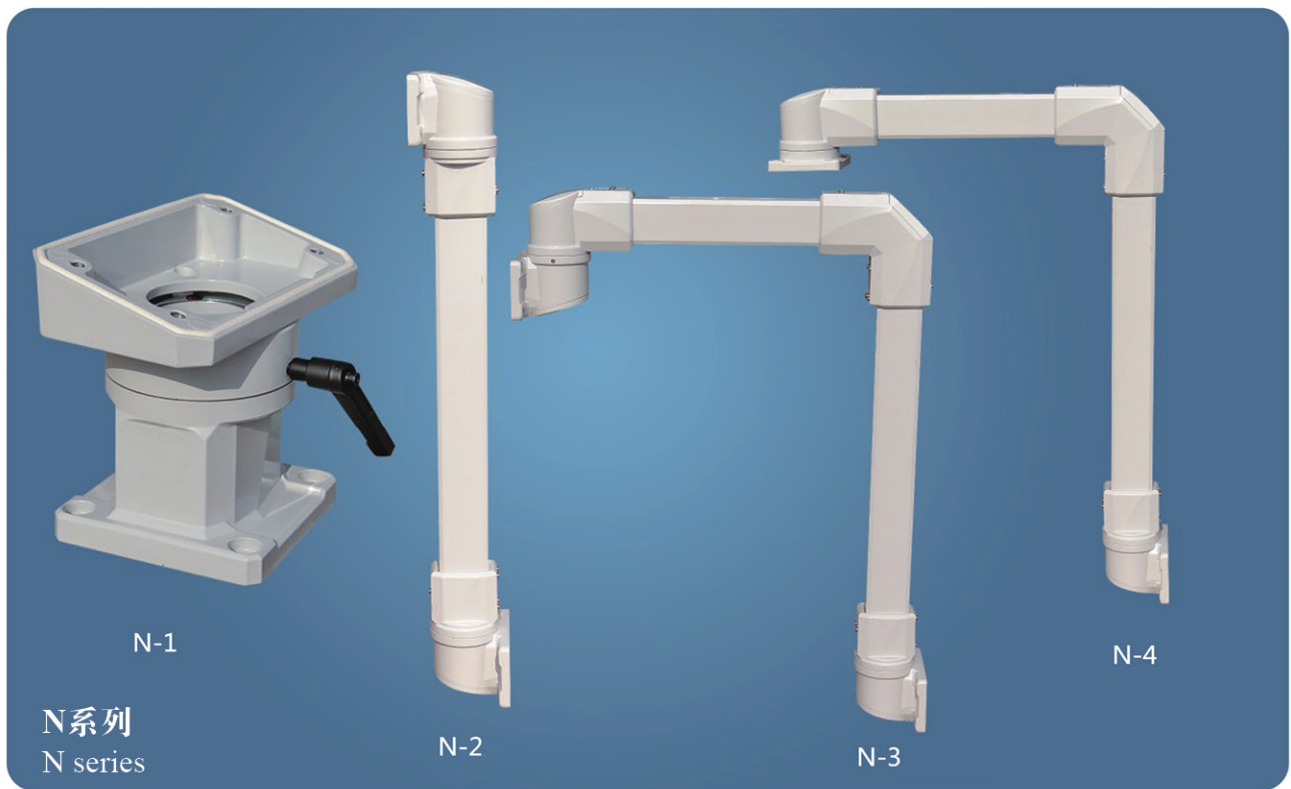
悬臂控制箱系列
Cantilever Control Box Series

国际销售部 (International Sales Department):

电话 (Tel): +86-512-52503703 手机 (M.P): +86-17351130120 18913715738 [Http://www.kwld.com](http://www.kwld.com) E-mail: info@kwld.com



悬臂装配系列 Cantilever assembly series



控制箱常用面板开孔尺寸 Common panel opening size of control box

7寸屏开孔尺寸: 宽192mm, 高138mm。

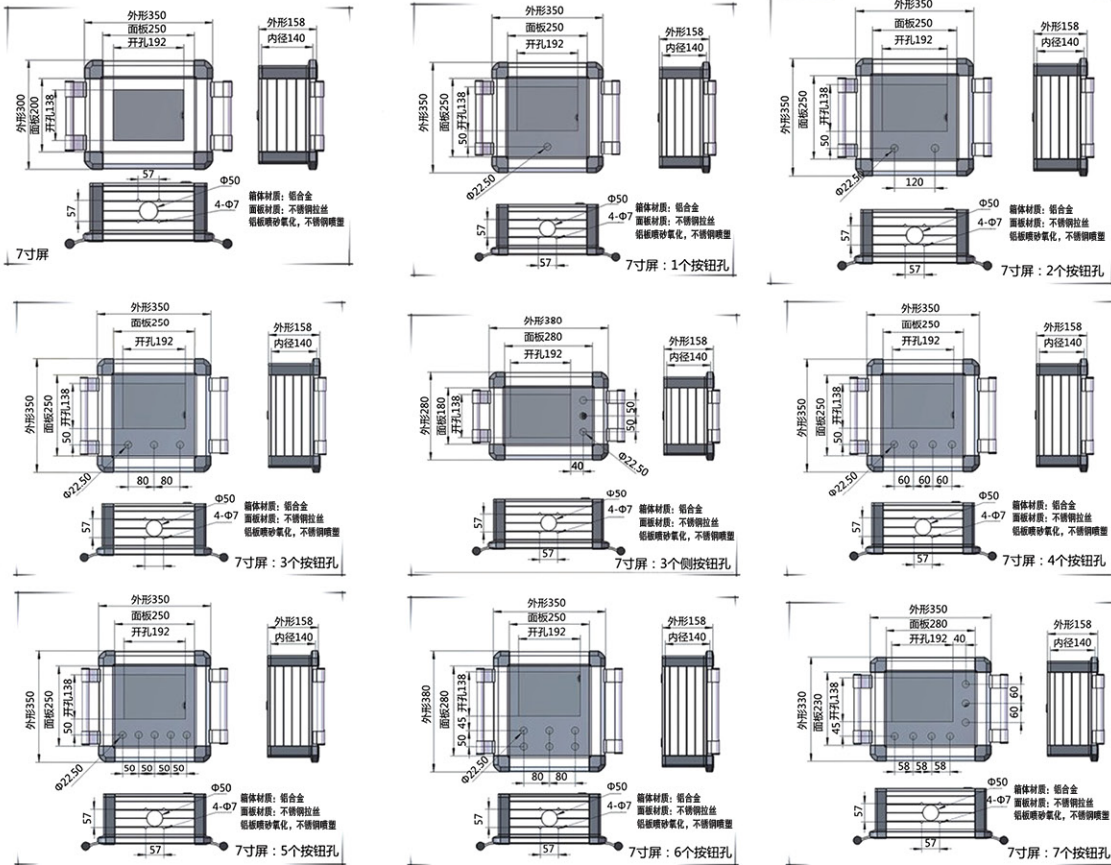
适用品牌: (威纶, 西门子, 三菱, 信捷, 优控, 步科, 禾川, 顾美, 维控, 汇川, 欧姆龙, 普洛菲斯PROFACE, 昆仑通态TPC7062KD, 显控SK-070BE。)

7寸屏开孔尺寸: 宽197mm, 高141mm。(西门子) // 宽197mm, 高143mm。(台达) // 宽191mm, 高136mm。(施耐德)

7inch screen opening size: width 192mm, height 138mm.

Applicable brands: (Weinen, Siemens, Mitsubishi, Xinje, Ukong, Boke, Hechuan, Gumei, Wecon, Inovance, Omron, Proface, Kunlun TPC7062KD, display control SK-070BE.)

7inch screen opening size: width 197mm, height 141mm. (Siemens) // width 197mm, height 143mm. (Delta) // Width 191mm, height 136mm. (Schneider)



10寸屏开孔尺寸: 宽261mm, 高180mm。

适用品牌: (信捷, 步科, 优控, 台通, 顾美, 昆仑通态。)

10寸屏开孔尺寸: 宽261mm, 高202mm。

适用品牌: (威纶, 三菱, 西门子, 显控, 汇川, 麦格米特。)

10寸屏开孔尺寸: 宽261mm, 高189mm。(台达)

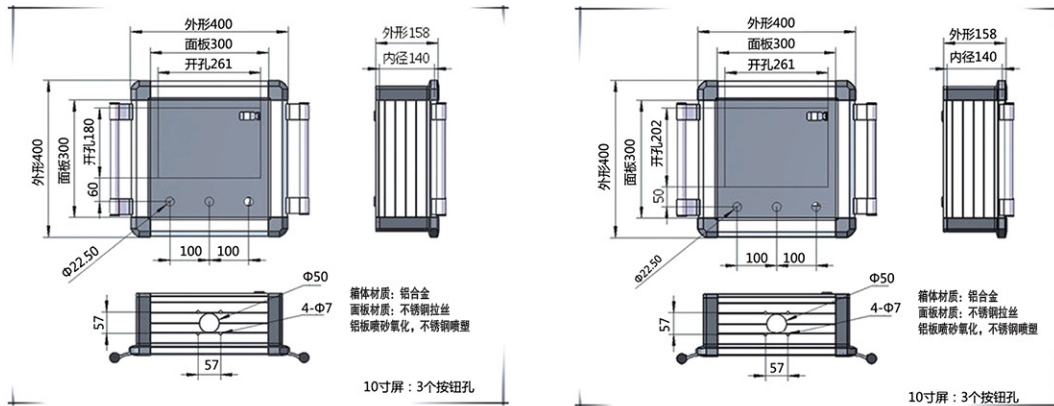
10 inch screen opening size: width 261mm, height 180mm.

Applicable brands: (Xinjie, Bike, Ukong, Taitong, Gumei, Kunlun Tongtai.)

10 inch screen opening size: width 261mm, height 202mm.

Applicable brands: (Weinen, Mitsubishi, Siemens, Display, Inovance, Megmeet.)

10 inch screen opening size: width 261mm, height 189mm. (Delta)



备注: 开孔及按钮数量可定制。 Remarks: The number of holes and buttons can be customized.

国际销售部 (International Sales Department):

电话 (Tel): +86-512-52503703 手机 (M.P): +86-17351130120 18913715738 Http://www.kwld.com E-mail: info@kwld.com

