



**ZHEJIANG THEOBORN
AUTO-CONTROL VALVES CO., LTD**

ADD: No.119, 4th Road, 3rd Avenue, Binhai Industrial Zone,
Economic & Technical, Wenzhou, China.

(P.C): 325025

TEL: +86-0577-86830000

FAX: +86-0577-86887882

E-mail : info@theoborn.com

Http://www.theoborn.com

THEOBORN AUTO-CONTROL VALVES INC

10700 Richmond Ave Suite 143 Houston,TX 77042 USA

Phone: (713) 306-4038, Fax: (713) 574-8258

http://www.theoborn.us

Email:info@theoborn.com



www.theoborn.com



**BP SERIES
SCOTCH YOKE ACTUATORS**

ZHEJIANG THEOBORN AUTO-CONTROL VALVES CO.,LTD



Company Profile

Zhejiang Theoborn Auto-Control Valves Co., Ltd. is dedicated to manufacture pneumatic actuators, electric actuators. Our products fundamentally transform the complex traditional usage of valves, incorporating high technology with the control process of valves, greatly improving the efficient usage of valves, largely diminishing the controlling cost, and obtaining considerable profits for enterprises.

Theoborn company is located in wenzhou city which possesses a long history of manufacturing valves and pumps. Inspired by our experience of manufacturing valves and pumps, supported by exquisite manufacturing technique, and enveloped with the special innovative consciousness and serious spirit. Theoborn endeavors to culminate the wisdom, aspires to make the best products, and desires to benefit human beings.

Theoborn people believe that we should consider people as boat, consider wisdom as helm and consider seriousness as sail. Theoborn believes that professional technology, along with the sincere service, will obtain customers' hearts, win customers' credits, and move customers.



Enterprise Culture

Corporate philosophy: Consider people as boat, consider wisdom as helm and consider seriousness as sail.

Quality policy: People-oriented Technology innovation Continuous improvement Create world brand

Quality target: (1)100% factory products qualified rate.

(2)Total customer satisfaction rate averaged 98% in two years.

Environment policy: law-abiding pollution prevention saving energy reducing consumption cleaner production

Safety policy: law-abiding safety prevention health care



Introduction

BP series actuators adopt the classical scotch yoke mechanism design, which can output maximum torque at both ends of the stroke, available for Ball Valves, Butterfly Valves, Plug Valves and all the 90° rotation valves, widely applicable to the chemical industry, food & beverage, metallurgy, offshore platform, pharmaceuticals, energy, paper, textile and other industries.

The Ambient Temperature

Standard actuator: -20°C to +80°C
Low temperature actuator: -40°C to +80°C
High temperature actuator: -20°C to +120°C

Operating Pressure

Pneumatic actuator: 3~10 Bar
Hydraulic actuator: 50~250 Bar

Model Instructions

BP-085S-335S-D1 HM

1 2 3 4 5 6 7

1. ACTUATOR TYPE

BP, PS

2. CENTRE BODY SIZE

065, 058, 100, 130, 160, 200

3. YOKE TYPE

S: Symmetric
C: Canted

4. CYLINDER SIZE

180~985

5. TEMPERATURE

S : Standard temperature -20°C~+80°C
L : Low temperature -40°C~+80°C
H : High temperature -20°C~+120°C

6. ACTING TYPE

D1 : double acting-single cylinder
D2 : double acting-two cylinders
Sc1 : spring-return failed-close
So1 : spring-return failed-open
(spring set)

7. MANUAL OVERRIDE TYPE

BLANK-No override
HM : Hydraulic manual override
DM : Declutchable manual override

Production Feature

1. Totally Enclosed Housing Design

Totally enclosed weatherproof centre body fabricated in carbon steel or Centre body has been designed totally enclosed, weatherproof housing fabricated in carbon steel or welding material provide an excellent strength.

2. Standard Mounting Flange

The mounting flange accord with the ISO5211 standard, accessories mounting size accord with NAMUR VDI/VDE 3845, which is convenient for mounting accessories such as Limit Switch box, Positioner and so on.

3. Wear Resistant

The guide rod and piston rod with advanced surface treatment combined with self-lubricating bearings, which provides superior wear resistance and extends the life of all sliding components.

4. Water Ingress Protected

Sealing gaskets are fitted in the joint between body, cap, pneumatic cylinder and so on, which prevent from water ingress.

5. Corrosion Resistant

BP series pneumatic actuators coated with over 3 layers of protective coating, which can meet the requirements of the petrochemical and coastal environment.

6. Self-lubricating

BP series pneumatic actuator has been designed to be completely self-lubricating, which ensure maximum wear resistance and long cycle life. No need of lubrication.

7. Modular construction Design

BP series pneumatic actuator has a efficient and interchangeable modular construction design, including centre body, pneumatic cylinder, spring cartridge, hydraulic cylinder, override modular and so on. Modular construction and stocking of components by THEOBORN facilitates quick delivery time.

8. Safe Spring Module

To ensure the safety of personnel during installation and maintenance, the spring cartridge module can be only removed from the axes of the pneumatic cylinder module, which avoids the damage to the working people and pneumatic devices.

9. Manual Override

Available with declutchable manual override and hydraulic manual override.

10. Minimum Maintenance

BP series pneumatic actuator is built to provide long and efficient service with minimum maintenance.

Structure Feature

1. Steel Guide Bar

Hard chrome plated alloy steel guide bar provides optimal support of the transverse loads.

2. Slider Block

Aluminum bronze slider blocks and high frequency quenching steel shaft pin minimize contact stress and ensure high cycle life.

3. Cylinder

Electroless nickel plated and polished cylinder for corrosion resistance and minimal friction.

4. Guide Ring

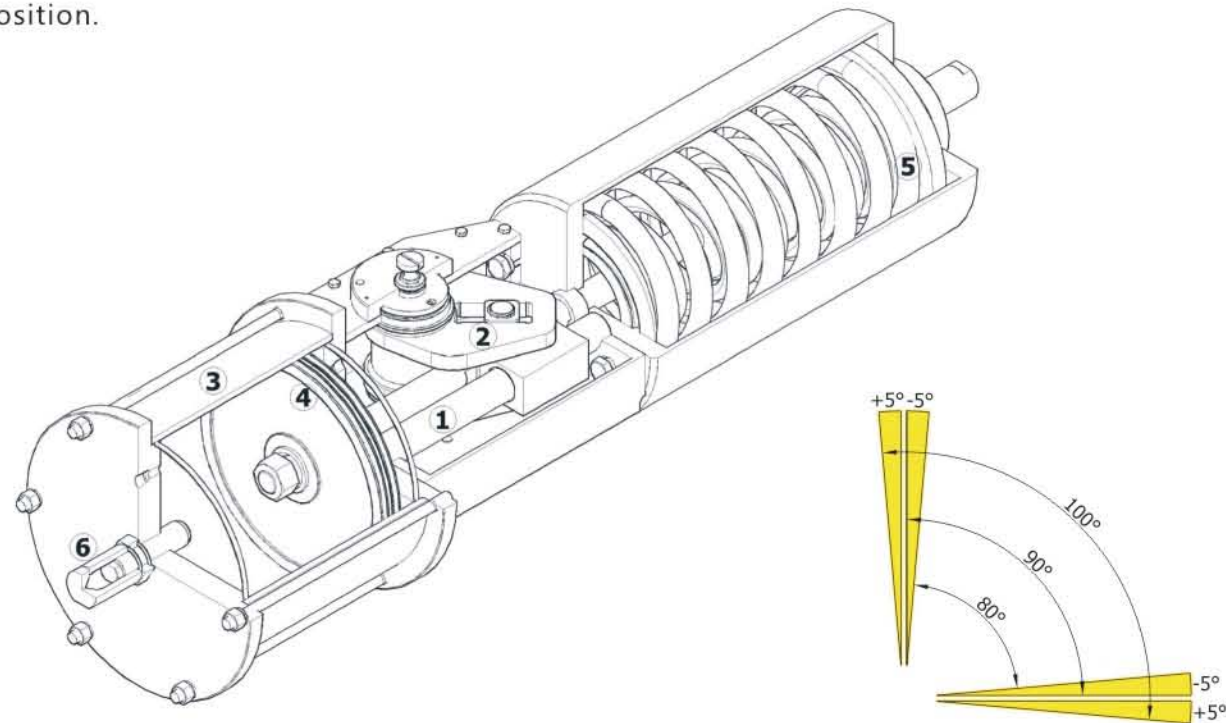
Made from low friction, long-life compound material, to avoid the direct contact between metals, the maintenance and replacement are easy and convenient.

5. Spring

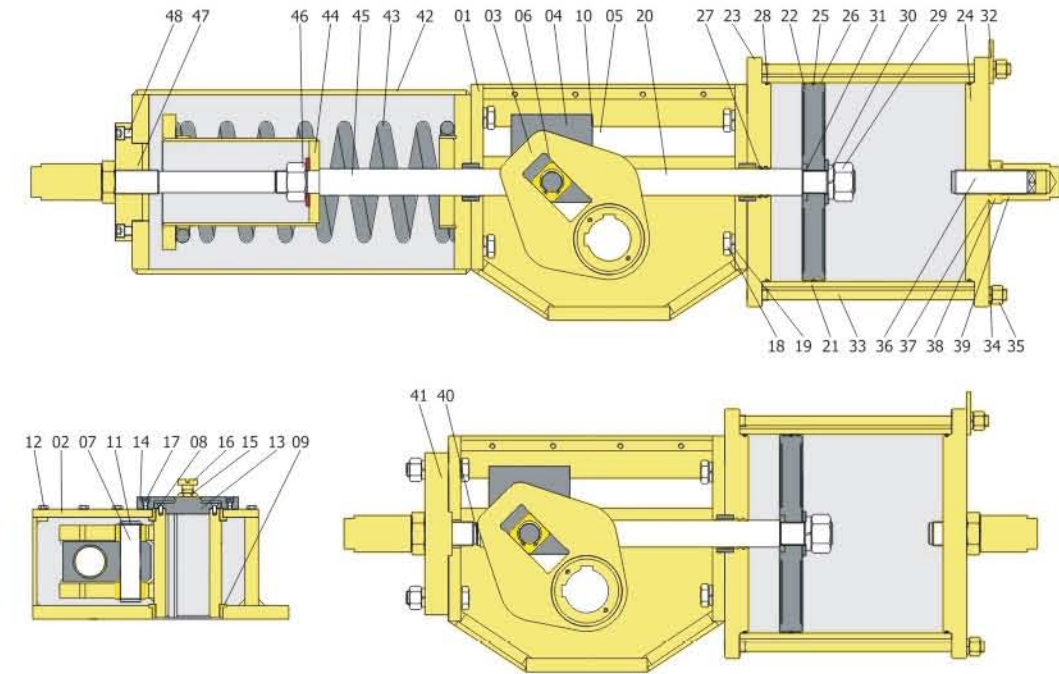
High strength alloy steel spring to maintain consistent torque output and promote high cycle life performance.

6. Travel Adjustment

Bi-directional travel stops allows $90^\circ \pm 5^\circ$ travel adjustment, which make the valve be in the best position.



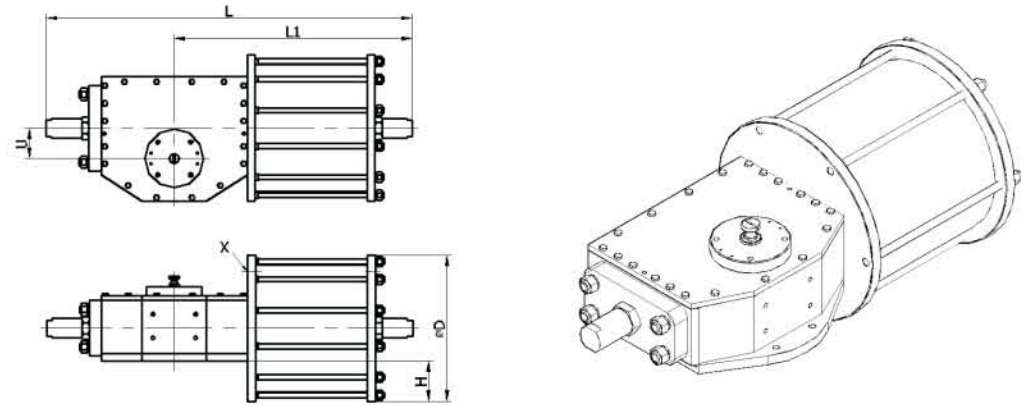
Assembly Drawing and Parts List



No.	Name	Material	No.	Name	Material	No.	Name	Material
1	Body	Carbon Steel	17	Screw	Stainless Steel	33	Stud	Carbon Steel
2	Body Cap	Carbon Steel	18	Bolt	Carbon Steel	34	Nut	Carbon Steel
3	Yoke	Carbon Steel	19	Disk Spring	Spring Steel	35	Disk Spring	Spring Steel
4	Guide Block	Carbon Steel	20	Piston Rod	Carbon Steel	36	Stroke Bolt	Carbon Steel
5	Guide Rod	Alloy Steel	21	Cylinder	Carbon Steel	37	Nut	Carbon Steel
6	Sliding Block	Bronze	22	Piston	Carbon Steel	38	O-Ring	NBR
7	Pin	Alloy Steel	23	Front Flange	Carbon Steel	39	Cover	Carbon Steel
8	Upper Bushing	Bronze	24	End Flange	Carbon Steel	40	End Screw	Carbon Steel
9	Lower Bushing	Bronze	25	O-Ring	NBR	41	End Flange	Carbon Steel
10	Rod Bushing	Bronze+PTFE	26	Guide Ring	PTFE	42	Spring Cylinder	Carbon Steel
11	Roller	Spring Steel	27	O-Ring	NBR	43	Spring	Alloy Steel
12	Bolt	Alloy Steel	28	O-Ring	NBR	44	Spring Seat	Carbon Steel
13	Indicate Cover	Carbon Steel	29	Nut	Carbon Steel	45	Tension Rod	Carbon Steel
14	Yoke Cover	Carbon Steel	30	Disk Spring	Spring Steel	46	Nut	Carbon Steel
15	Nut	Stainless Steel	31	O-Ring	NBR	47	Cover	Carbon Steel
16	Drive Shaft	Stainless Steel	32	Cliver	Carbon Steel	48	Screw	Carbon Steel

Structure Dimensions

Double Acting Type

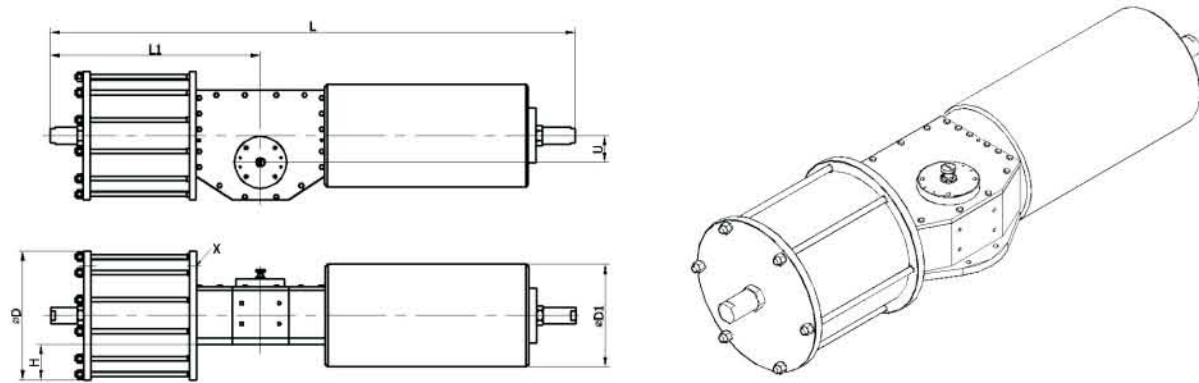


MODEL	L1	L	D	U	H	X (NPT)	Air Volume (Litres)	
							Opening	Closing
BP-065S-180*-D1	605	935	240	65	40	1/4"	5.4	4.1
BP-065S-235*-D1	605	935	310	65	75	1/2"	9.3	7.1
BP-065S-280*-D1	610	940	355	65	98	1/2"	13.2	10.2
BP-065S-335*-D1	630	960	415	65	128	1/2"	19.2	15
BP-085S-235*-D1	685	1045	310	85	70	1/2"	11.5	9.2
BP-085S-280*-D1	690	1050	355	85	93	1/2"	16.3	13.2
BP-085S-335*-D1	710	1070	415	85	123	1/2"	23.6	19.4
BP-085S-385*-D1	722	1080	465	85	148	1"	31	25.5
BP-085S-435*-D1	722	1080	515	85	173	1"	39.5	32.6
BP-100S-335*-D1	800	1210	415	100	104	1/2"	27.1	22.9
BP-100S-385*-D1	812	1220	465	100	129	1"	35.6	30.1
BP-100S-435*-D1	812	1220	515	100	154	1"	45.5	38.5
BP-100S-485*-D1	825	1235	570	100	181	1"	56.2	47.5
BP-100S-535*-D1	840	1250	620	100	206	1"	68.3	57.9
BP-130S-335*-D1	960	1460	415	130	97	1/2"	34.2	28.7
BP-130S-385*-D1	977	1475	465	130	122	1"	45.5	38.5
BP-130S-435*-D1	990	1490	515	130	147	1"	57.8	49
BP-130S-485*-D1	990	1490	570	130	174	1"	71.9	61
BP-130S-535*-D1	1005	1505	620	130	199	1"	87.4	74.4
BP-130S-585*-D1	1020	1520	680	130	229	1"	104.6	89.1
BP-130S-635*-D1	1020	1520	730	130	254	1"	123.2	105.1
BP-130S-685*-D1	1020	1520	780	130	279	1"	143.4	122.4

Double Acting Type

MODEL	L1	L	D	U	H	X (NPT)	Air Volume (Litres)	
							Opening	Closing
BP-160S-385*-D1	1102	1655	465	160	103	1"	54.2	47
BP-160S-435*-D1	1115	1665	515	160	128	1"	69	60
BP-160S-485*-D1	1115	1665	570	160	155	1"	85.7	74.8
BP-160S-535*-D1	1130	1680	620	160	180	1"	104.3	91.1
BP-160S-585*-D1	1145	1695	680	160	210	1"	124.7	109.1
BP-160S-635*-D1	1145	1695	730	160	235	1"	146.9	128.7
BP-160S-685*-D1	1145	1695	780	160	260	1"	171	149.9
BP-160S-735*-D1	1150	1700	840	160	285	1"	196.9	177
BP-160S-785*-D1	1150	1700	890	160	305	1"	224.6	202
BP-200S-485*-D1	1335	1995	570	200	135	1"	107	93.5
BP-200S-535*-D1	1345	2005	620	200	160	1"	129	113
BP-200S-585*-D1	1360	2020	680	200	190	1"	154.3	135.4
BP-200S-635*-D1	1375	2035	730	200	215	1"	181.8	159.8
BP-200S-685*-D1	1390	2050	780	200	240	1"	211.5	186.1
BP-200S-735*-D1	1390	2050	840	200	270	1"	243.5	214.5
BP-200S-785*-D2	1390	2050	890	200	295	1"	277.8	244.9
BP-200S-835*-D3	1390	2050	940	200	320	1"	314.3	277.3
BP-200S-885*-D4	1405	2065	990	200	345	1"	353.1	311.7
BP-200S-935*-D5	1405	2065	1040	200	370	1"	394.1	348
BP-200S-985*-D1	1405	2065	1090	200	395	1"	437.4	386.4

Single Acting Type



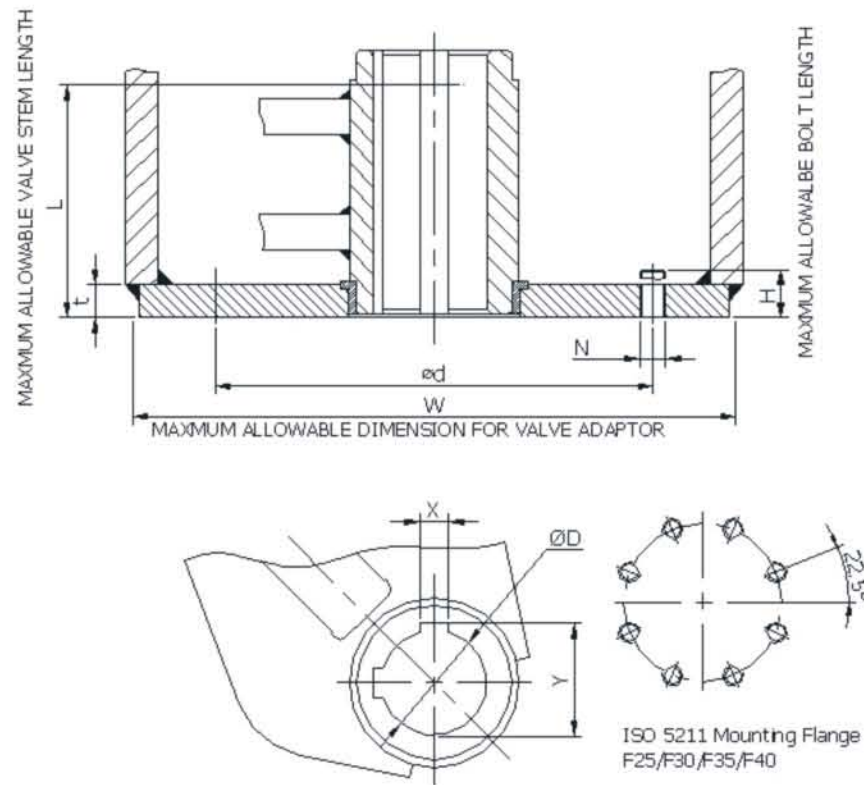
MODEL	L1	L	D	D1	U	H	X (NPT)	Air Volume (Litres)
BP-065S-235*-S1	605	1515	310	273	65	75	1/2"	7.1
BP-065S-280*-S1	610	1520	355	273	65	98	1/2"	10.2
BP-065S-280*-S2	610	1520	355	273	65	98	1/2"	10.2
BP-065S-335*-S2	630	1540	415	273	65	128	1/2"	15
BP-065S-280*-S3	610	1485	355	325	65	98	1/2"	10.2
BP-065S-335*-S3	630	1505	415	325	65	128	1/2"	15
BP-065S-335*-S4	630	1535	415	325	65	128	1/2"	15
BP-085S-235*-S1	685	1625	310	273	85	70	1/2"	9.2
BP-085S-280*-S1	690	1630	355	273	85	93	1/2"	13.2
BP-085S-280*-S2	690	1630	355	273	85	93	1/2"	13.2
BP-085S-335*-S2	710	1650	415	273	85	123	1/2"	19.4
BP-085S-385*-S2	722	1662	465	273	85	148	1"	25.5
BP-085S-280*-S3	690	1645	355	325	85	93	1/2"	13.2
BP-085S-335*-S3	710	1665	415	325	85	123	1/2"	19.4
BP-085S-385*-S3	722	1677	465	325	85	148	1"	25.5
BP-085S-435*-S3	722	1677	515	325	85	173	1"	32.6
BP-085S-335*-S4	709	1685	415	325	85	123	1/2"	19.4
BP-085S-385*-S4	722	1697	465	325	85	148	1"	25.5
BP-085S-435*-S4	722	1697	515	325	85	173	1"	32.6
BP-085S-335*-S5	710	1665	415	325	85	123	1/2"	19.4
BP-085S-385*-S5	722	1677	465	325	85	148	1"	25.5
BP-085S-435*-S5	722	1677	515	325	85	173	1"	32.6
BP-085S-385*-S6	722	1682	465	325	85	148	1"	25.5
BP-085S-435*-S6	722	1682	515	325	85	173	1"	32.6
BP-085S-435*-S7	722	1772	515	406	85	173	1"	32.6
BP-100S-385*-S1	812	2017	465	406	100	129	1"	22.9
BP-100S-435*-S1	812	2017	515	406	100	154	1"	30.1
BP-100S-485*-S1	825	2030	570	406	100	181	1"	38.5
BP-100S-535*-S1	840	2045	620	406	100	206	1"	47.5

Single Acting Type

MODEL	L1	L	D	D1	U	H	X (NPT)	Air Volume (Litres)
BP-100S-435*-S2	812	1957	515	406	100	154	1"	38.5
BP-100S-485*-S2	825	1970	570	406	100	181	1"	47.5
BP-100S-535*-S2	840	1985	620	406	100	206	1"	57.9
BP-130S-435*-S1	990	2365	515	457	130	147	1"	49
BP-130S-485*-S1	990	2365	570	457	130	174	1"	61
BP-130S-535*-S1	1005	2380	620	457	130	199	1"	74.4
BP-130S-585*-S1	1020	2395	680	457	130	229	1"	89.1
BP-130S-635*-S1	1020	2395	730	457	130	254	1"	105.1
BP-130S-535*-S2	1005	2390	620	508	130	199	1"	74.4
BP-130S-585*-S2	1020	2405	680	508	130	229	1"	89.1
BP-130S-635*-S2	1020	2405	730	508	130	254	1"	105.1
BP-130S-685*-S2	1020	2405	780	508	130	279	1"	122.4
BP-130S-585*-S3	1020	2425	680	508	130	229	1"	89.1
BP-130S-635*-S3	1020	2425	730	508	130	254	1"	105.1
BP-130S-685*-S3	1020	2425	780	508	130	279	1"	122.4
BP-130S-735*-S3	1035	2440	840	508	130	279	1"	140.8
BP-160S-535*-S1	1130	3250	620	560	160	180	1"	91.1
BP-160S-585*-S1	1145	3265	680	560	160	210	1"	109.1
BP-160S-635*-S1	1145	3265	730	560	160	235	1"	128.7
BP-160S-685*-S1	1145	3265	780	560	160	260	1"	149.9
BP-160S-735*-S1	1160	3280	840	560	160	285	1"	177
BP-160S-785*-S1	1160	3280	890	560	160	305	1"	202
BP-160S-585*-S2	1145	3095	680	560	160	210	1"	109.1
BP-160S-635*-S2	1145	3095	730	560	160	235	1"	128.7
BP-160S-685*-S2	1145	3095	780	560	160	260	1"	149.9
BP-160S-735*-S2	1140	3110	840	560	160	285	1"	177
BP-160S-785*-S2	1140	3110	890	560	160	305	1"	202
BP-160S-635*-S3	1145	3125	730	600	160	235	1"	128.7
BP-160S-685*-S3	1145	3125	780	600	160	260	1"	149.9
BP-160S-735*-S3	1160	3140	840	600	160	285	1"	177
BP-160S-785*-S3	1160	3140	890	600	160	305	1"	202
BP-200S-635*-S1	1375	3515	730	600	20	215	1"	159.8
BP-200S-685*-S1	1390	3530	780	600	20	240	1"	186.1
BP-200S-735*-S1	1390	3530	840	600	20	270	1"	214.5
BP-200S-785*-S1	1390	3530	890	600	20	295	1"	244.9
BP-200S-835*-S1	1390	3530	940	600	20	320	1"	277.3
BP-200S-885*-S1	1405	3545	990	600	20	345	1"	311.7
BP-200S-785*-S2	1390	3570	890	600	20	295	1"	244.9
BP-200S-835*-S2	1390	3570	940	600	20	320	1"	277.3
BP-200S-885*-S2	1405	3585	990	600	20	345	1"	311.7
BP-200S-935*-S2	1405	3585	1040	600	20	370	1"	348
BP-200S-985*-S2	1405	3585	1090	600	20	395	1"	386.4

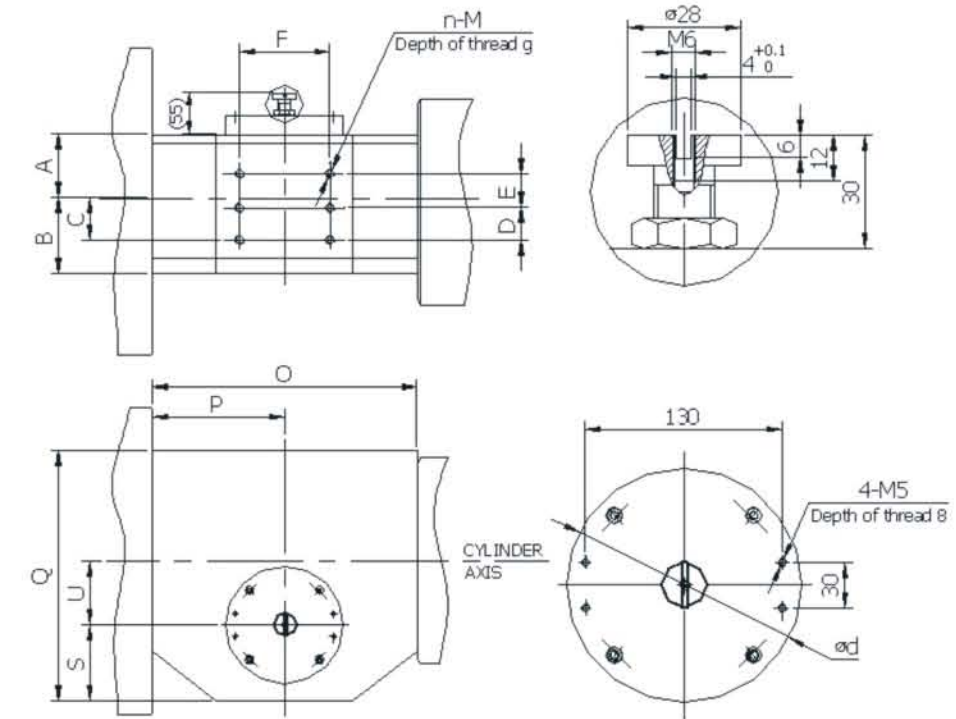
Mounting Dimensions

Mounting Dimensions For Valve



MODEL	ISO 5211 Mounting Flange	D	d	N	t	H	L	W	X	Y
BP-065	F25	50 ^{+0.2} / _{+0.1}	254	8-M16	20	24	130	320	14 ^{+0.12} / _{+0.05}	53.8 ^{+0.2} / ₊₀
BP-085	F25	65 ^{+0.2} / _{+0.1}	254	8-M16	20	24	140	390	18 ^{+0.12} / _{+0.05}	69.4 ^{+0.2} / ₊₀
BP-100	F30	80 ^{+0.25} / _{+0.15}	298	8-M20	25	28	170	460	22 ^{+0.149} / _{+0.065}	85.4 ^{+0.2} / ₊₀
BP-130	F30	110 ^{+0.25} / _{+0.15}	298	8-M20	25	28	180	550	28 ^{+0.149} / _{+0.065}	116.4 ^{+0.2} / ₊₀
BP-160	F35	140 ^{+0.30} / _{+0.15}	356	8-M30	30	35	210	660	36 ^{+0.18} / _{+0.08}	148.4 ^{+0.2} / ₊₀
BP-200	F40	160 ^{+0.30} / _{+0.15}	406	8-M36	35	40	240	800	40 ^{+0.18} / _{+0.08}	169.4 ^{+0.2} / ₊₀

Mounting Dimensions For Enclosures



MODEL	A	B	C	D	E	F	n	M	g	O	P	Q	U	S	d
BP-065	75	80	27	60	-	120	4	M12	12	350	175	297	65	80	155
BP-085	78	85	30	60	-	120	4	M12	12	410	205	330	85	100	155
BP-100	92	104	50	60	35	120	6	M12	16	490	245	385	110	120	175
BP-130	102	111	50	60	35	120	6	M12	16	590	295	500	130	180	215
BP-160	115	130	60	60	60	120	6	M12	18	690	345	590	160	210	255
BP-200	135	150	70	60	60	120	6	M12	18	830	415	710	200	250	285

Torque Outputs

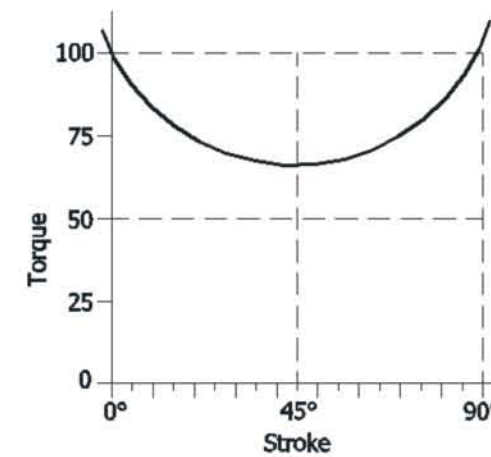
Double Acting Type

MODEL	Torque Outputs (Nm)											
	4 Bar			5 Bar			6 Bar			8 Bar		
	0°	45°	90°	0°	45°	90°	0°	45°	90°	0°	45°	90°
BP-065S-180*-D1	818	508	887	1,024	637	1,111	1,230	765	1,335	1,643	1,021	1,783
BP-065S-235*-D1	1,427	887	1,548	1,786	1,111	1,938	2,145	1,334	2,328	2,863	1,780	3,107
BP-065S-280*-D1	2,046	1,272	2,220	2,560	1,592	2,778	3,075	1,912	3,336			
BP-065S-335*-D1	2,950	1,834	3,201	3,691	2,295	4,005						
BP-085S-235*-D1	1,909	1,187	2,072	2,390	1,486	2,594	2,870	1,785	3,115	3,831	2,382	4,158
BP-085S-280*-D1	2,737	1,702	2,971	3,426	2,130	3,718	4,114	2,558	4,465	5,490	3,413	5,958
BP-085S-335*-D1	3,947	2,454	4,283	4,938	3,070	5,359	5,929	3,686	6,435	7,912	4,919	8,586
BP-085S-385*-D1	5,234	3,254	5,681	6,548	4,071	7,107	7,862	4,888	8,532			
BP-085S-435*-D1	6,701	4,166	7,273	8,382	5,212	9,097						
BP-100S-335*-D1	4,688	2,914	5,090	5,866	3,646	6,369	7,043	4,378	7,647	9,398	5,842	10,204
BP-100S-385*-D1	6,218	3,865	6,751	7,778	4,835	8,445	9,339	5,806	10,140	12,460	7,746	13,529
BP-100S-435*-D1	7,960	4,948	8,643	9,957	6,190	10,811	11,954	7,431	12,979			
BP-100S-485*-D1	9,915	6,164	10,765	12,401	7,710	13,465						
BP-100S-535*-D1	12,083	7,512	13,119									
BP-130S-335*-D1	6,120	3,804	6,649	7,657	4,759	8,319	9,194	5,715	9,989	12,268	7,626	13,329
BP-130S-385*-D1	8,133	5,055	8,836	10,174	6,324	11,054	12,216	7,593	13,272	16,298	10,131	17,707
BP-130S-435*-D1	10,426	6,481	11,327	13,042	8,107	14,169	15,657	9,732	17,011	20,889	12,984	22,694
BP-130S-485*-D1	12,999	8,080	14,123	16,259	10,107	17,665	19,519	12,133	21,207	26,040	16,186	28,290
BP-130S-535*-D1	15,853	9,854	17,223	19,827	12,324	21,541	23,802	14,795	25,859	31,751	19,736	34,495
BP-130S-585*-D1	18,986	11,802	20,628	23,745	14,760	25,798	28,504	17,718	30,968			
BP-130S-635*-D1	22,400	13,924	24,337	28,014	17,413	30,435	33,627	20,902	36,534			
BP-130S-685*-D1	26,094	16,220	28,350	32,632	20,284	35,453						
BP-160S-385*-D1	10,077	6,262	10,955	12,606	7,834	13,704	15,135	9,406	16,454	20,193	12,550	21,953
BP-160S-435*-D1	12,918	8,028	14,043	16,159	10,042	17,567	19,399	12,056	21,090	25,881	16,085	28,136
BP-160S-485*-D1	16,106	10,010	17,509	20,145	12,520	21,901	24,184	15,030	26,292	32,263	20,051	35,074
BP-160S-535*-D1	19,642	12,207	21,353	24,566	15,267	26,706	29,490	18,328	32,060	39,339	24,448	42,766
BP-160S-585*-D1	23,524	14,620	25,574	29,420	18,284	31,984	35,317	21,949	38,394	47,109	29,278	51,214
BP-160S-635*-D1	27,754	17,248	30,172	34,709	21,571	37,733	41,664	25,893	45,294			
BP-160S-685*-D1	32,330	20,093	35,147	40,431	25,127	43,954	48,531	30,161	52,760			
BP-160S-735*-D1	37,254	23,153	40,500	46,587	28,953	50,646						
BP-160S-785*-D1	42,525	26,429	46,230									

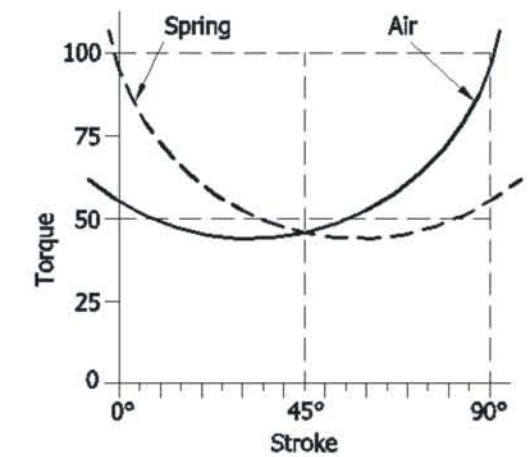
Double Acting Type

MODEL	Torque Outputs (Nm)											
	4 Bar			5 Bar			6 Bar			8 Bar		
	0°	45°	90°	0°	45°	90°	0°	45°	90°	0°	45°	90°
BP-200S-485*-D1	20,349	12,653	22,077	25,453	15,827	27,614	30,556	19,000	33,150	40,763	25,346	44,224
BP-200S-535*-D1	24,837	15,444	26,946	31,064	19,316	33,702	37,292	23,188	40,458	49,746	30,932	53,969
BP-200S-585*-D1	29,766	18,509	32,293	37,227	23,148	40,388	44,688	27,787	48,482	59,610	37,065	64,671
BP-200S-635*-D1	35,136	21,847	38,119	43,941	27,322	47,671	52,745	32,797	57,224	70,355	43,747	76,329
BP-200S-685*-D1	40,946	25,460	44,422	51,205	31,839	55,552	61,464	38,218	66,682	81,982	50,977	88,942
BP-200S-735*-D1	47,196	29,347	51,204	59,020	36,699	64,031	70,843	44,050	76,858	94,490	58,754	102,513
BP-200S-785*-D1	53,888	33,508	58,463	67,386	41,901	73,107	80,884	50,294	87,751	107,879	67,080	117,039
BP-200S-835*-D1	61,020	37,942	66,201	76,302	47,445	82,781	91,585	56,948	99,361			
BP-200S-885*-D1	68,593	42,651	74,416	85,770	53,332	93,052						
BP-200S-935*-D1	76,606	47,634	83,110	95,788	59,561	103,921						
BP-200S-985*-D1	85,060	52,890	92,282									

Torque Characteristics



Double Acting Torque Curve



Single Acting Torque Curve

Torque Outputs

Single Acting Type

MODEL	Torque Outputs (Nm)														
	Spring			3 Bar			4 Bar			5 Bar			6 Bar		
	0°	45°	90°	90°	45°	0°	90°	45°	0°	90°	45°	0°	90°	45°	0°
BP-065S-235*-S1	948	485	664				741	345	400	1,100	568	790	1,459	792	1,180
BP-065S-280*-S1	946	484	662	845	410	514	1,360	730	1,072						
BP-065S-280*-S2	1,582	810	1,109							1,418	689	867	1,932	1,009	1,425
BP-065S-335*-S2	1,580	808	1,107	1,067	471	486	1,808	932	1,290	2,548	1,392	2,094			
BP-065S-280*-S3	1,968	1,033	1,470										1,564	762	963
BP-065S-335*-S3	1,966	1,032	1,468				1,440	685	827	2,180	1,145	1,631	2,921	1,606	2,435
BP-065S-335*-S4	2,833	1,467	2,045										2,334	1,125	1,395
BP-085S-235*-S1	1,407	692	888							1,471	713	891	1,952	1,011	1,413
BP-085S-280*-S1	1,404	690	885	1,131	501	522	1,819	929	1,269						
BP-085S-280*-S2	2,347	1,155	1,484										2,585	1,271	1,631
BP-085S-335*-S2	2,344	1,153	1,481				2,419	1,167	1,450	3,410	1,783	2,526	4,401	2,400	3,601
BP-085S-385*-S2	2,342	1,151	1,478	2,392	1,151	1,421	3,706	1,968	2,847						
BP-085S-280*-S3	2,570	1,265	1,626										2,441	1,150	1,364
BP-085S-335*-S3	2,567	1,263	1,623				2,274	1,046	1,183	3,266	1,662	2,259	4,257	2,278	3,334
BP-085S-385*-S3	2,564	1,261	1,620	2,248	1,030	1,154	3,562	1,846	2,580						
BP-085S-435*-S3	2,561	1,259	1,617	3,348	1,713	2,348									
BP-085S-335*-S4	3,791	1,841	2,312										3,555	1,640	1,866
BP-085S-385*-S4	3,788	1,839	2,309							4,173	2,024	2,538	5,487	2,841	3,964
BP-085S-435*-S4	3,785	1,837	2,306				4,326	2,120	2,704	6,008	3,165	4,528			
BP-085S-335*-S5	3,986	1,962	2,524										3,339	1,505	1,632
BP-085S-385*-S5	3,983	1,961	2,521							3,958	1,890	2,304	5,271	2,707	3,729
BP-085S-435*-S5	3,981	1,959	2,518				4,111	1,985	2,470	5,792	3,031	4,294	7,473	4,076	6,119
BP-085S-385*-S6	4,926	2,425	3,120										4,661	2,193	2,598
BP-085S-435*-S6	4,924	2,424	3,117							5,182	2,517	3,163	6,863	3,562	4,988
BP-085S-435*-S7	6,315	3,165	4,196										5,765	2,743	3,319
BP-100S-385*-S1	6,306	2,857	3,132										6,124	2,631	2,542
BP-100S-435*-S1	6,303	2,855	3,128							6,742	3,015	3,213	8,739	4,257	5,382
BP-100S-485*-S1	6,300	2,853	3,125				6,700	2,990	3,168	9,186	4,535	5,868			
BP-100S-535*-S1	6,297	2,851	3,121	5,839	2,454	2,233	8,868	4,337	5,522						
BP-100S-435*-S2	7,330	3,493	4,243										7,604	3,552	4,150
BP-100S-485*-S2	7,326	3,491	4,239							8,052	3,830	4,636	10,538	5,376	7,336
BP-100S-535*-S2	7,323	3,489	4,236				7,733	3,632	4,290	10,763	5,515	7,579			
BP-130S-435*-S1	9,462	4,789	6,461										9,044	4,414	5,605
BP-130S-485*-S1	9,458	4,786	6,456							9,646	4,788	6,259	12,906	6,815	9,801
BP-130S-535*-S1	9,454	4,784	6,452				9,240	4,536	5,817	13,214	7,006	10,135	17,189	9,477	14,453
BP-130S-585*-S1	9,450	4,781	6,447	7,615	3,525	4,051	12,373	6,484	9,222	17,132	9,442	14,392			
BP-130S-635*-S1	9,445	4,778	6,442	10,174	5,116	6,832	15,787	8,605	12,930						

Single Acting Type

MODEL	Torque Outputs (Nm)														
	Spring			3 Bar			4 Bar			5 Bar			6 Bar		
	0°	45°	90°	90°	45°	0°	90°	45°	0°	90°	45°	0°	90°	45°	0°
BP-130S-535*-S2	12,429	6,291	8,488										11,143	5,340	6,562
BP-130S-585*-S2	12,425	6,288	8,483							10,302	4,817	5,648	15,061	7,776	10,819
BP-130S-635*-S2	12,421	6,286	8,479							13,716	6,939	9,357	19,329	10,429	15,456
BP-130S-685*-S2	12,417	6,283	8,474	10,872	5,172	6,267	17,410	9,236	13,370						
BP-130S-585*-S3	16,402	8,093	10,472											17,796	8,739
BP-130S-635*-S3	16,397	8,091	10,468										17,305	8,434	10,681
BP-130S-685*-S3	16,393	8,088	10,463				15,386	7,241	8,596	21,924	11,305	15,699			
BP-130S-735*-S3	16,389	8,085	10,459	11,828	5,029	4,730	19,360	9,711	12,913						
BP-160S-535*-S1	16,275	8,880	13,372											15,834	8,475
BP-160S-585*-S1	16,270	8,876	13,366										15,764	8,432	12,361
BP-160S-635*-S1	16,265	8,873	13,360				14,097	7,396	10,549	21,052	11,718	18,110			
BP-160S-685*-S1	16,260	8,870	13,355				18,674	10,240	15,524	26,774	15,275	24,331			
BP-160S-735*-S1	16,255	8,867	13,349	14,265	7,500	10,731	23,598	13,300	20,877						
BP-160S-785*-S1	16,249	8,863	13,344	18,217	9,956	15,028									
BP-160S-585*-S2	18,940	10,209	15,127											19,870	10,623
BP-160S-635*-S2	18,935	10,206	15,121										19,262	10,245	14,902
BP-160S-685*-S2	18,929	10,203	15,116				16,884	8,767	12,317	24,984	13,801	21,123			
BP-160S-735*-S2	18,924	10,200	15,110				21,808	11,827	17,670	31,140	17,627	27,816			
BP-160S-785*-S2	18,919	10,196	15,104	16,427	8,483	11,820	27,078	15,103	23,400						
BP-160S-635*-S3	23,942	12,890	19,068											22,204	11,601
BP-160S-685*-S3	23,937	12,887	19,062										20,972	10,835	15,106
BP-160S-735*-S3	23,931	12,884	19,057				17,795	8,861	11,653	27,128	14,661	21,799			
BP-160S-785*-S3	23,926	12,880	19,051				23,066	12,136	17,383	33,718	18,756	28,963			
BP-200S-635*-S1	31,409	16,372	23,055											29,165	14,644
BP-200S-685*-S1	31,403	16,368	23,047										27,625	13,686	17,788
BP-200S-735*-S1	31,396	16,364	23,040							23,616	11,194	13,440	35,440	18,546	26,267
BP-200S-785*-S1	31,390	16,360	23,033							30,308	15,355	20,699	43,806	23,748	35,343
BP-200S-835*-S1	31,383	16,356	23,026	22,157	10,287	11,857	37,440	19,789	28,437						
BP-200S-885*-S1	31,376	16,351	23,019	27,835	13,817	18,017	45,013	24,498	36,652						
BP-200S-785*-S2	45,558	22,967	30,719											49,474	24,838
BP-200S-835*-S2	45,551	22,963	30,712										44,893	21,989	28,027
BP-200S-885*-S2	45,545	22,959	30,704				37,183	17,195	19,663	54,360	27,876	38,299			
BP-200S-935*-S2	45,538	22,955	30,697				45,196	22,178	28,357	64,378	34,105	49,168			
BP-200S-985*-S2	45,532	22,951	30,690	32,353	14,192	14,423	53,650	27,434	37,528						