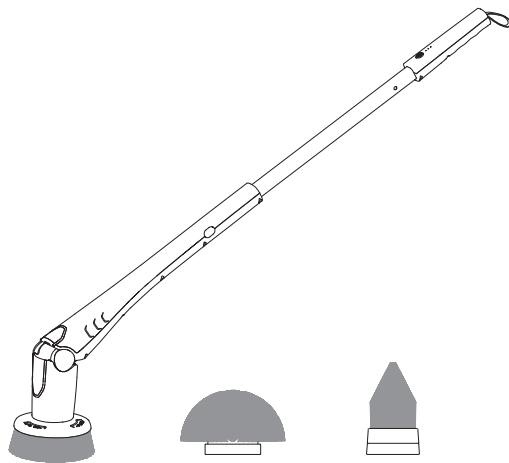


# Multi-function Spin Scrubber User Manual

Please read it carefully before using and keep it well.



## **THANKS FOR YOUR PURCHASE**

---

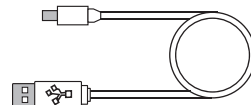
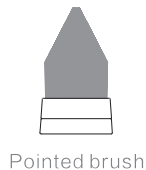
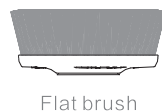
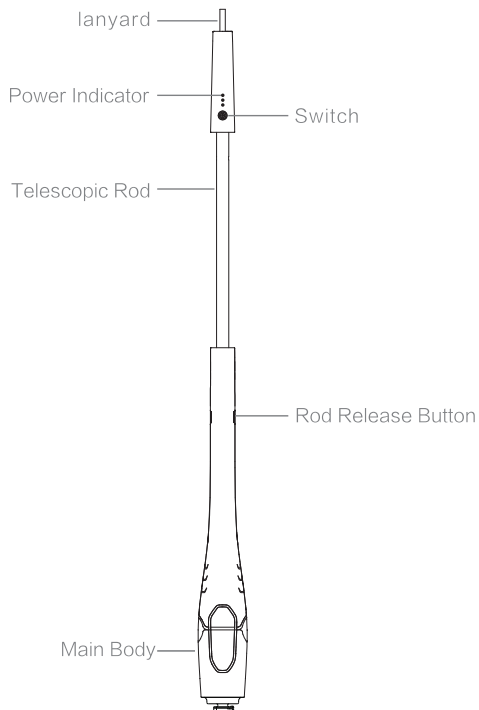
Thank you for choosing multi-function spin scrubber.

Large capacity,high torque with replaceable round brush, flat brush and pointed brush which can easily clean the grooves, slits,corners and edges of marble, wooden floor, ceramic, glass, carpet, etc. Easy and efficient cleaning for all kinds of stubborn stains.

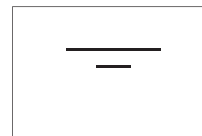
Telescopic plated stainless steel rectangular tube for easy storage.

Multi-function spin scrubber – youth version, brings you a relaxed life every day.

## Product Description



USB Charger



User Manual

Basic Parameters	
Battery capacity	4000mAh
Voltage	3.7V
Power	37W
Charging time	4Hours

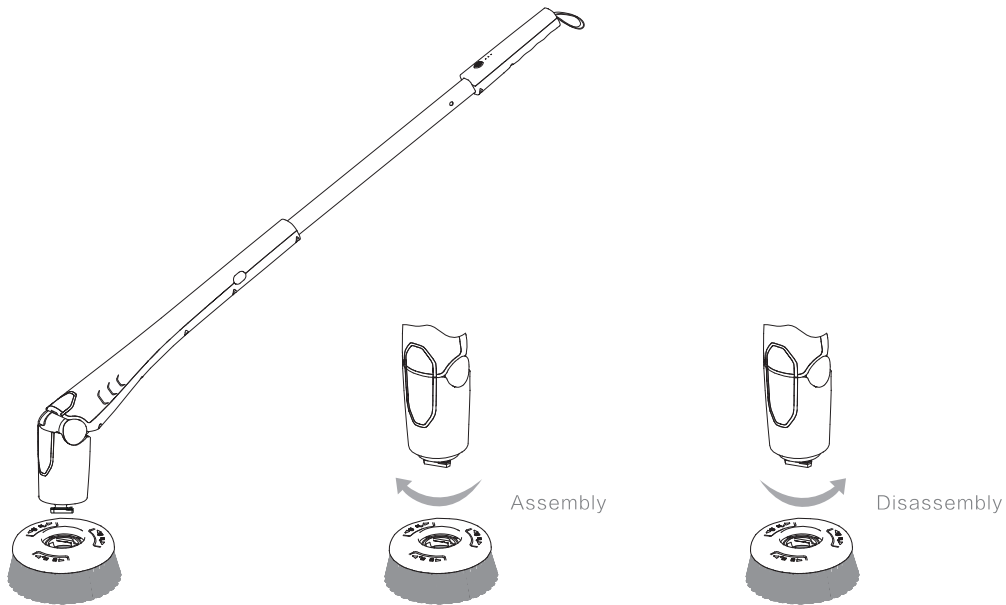
## Assembly

---

Align the triangular head of the front end of the main unit with the triangular hole of the brush head, rotate the brush head anti-clockwise 60° to assemble the brush head.

### Disassembly

Hold the brush head and main unit, rotate the brush head clockwise 60° to disassemble the brush head.



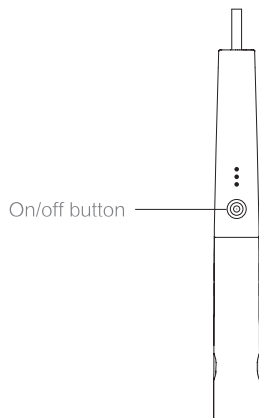
## Instructions

---

### Power Switch

Press the power button to turn it on, the indicator will be bright. Rotate speed is 230rpm; if power is too low, it will turn off automatically.

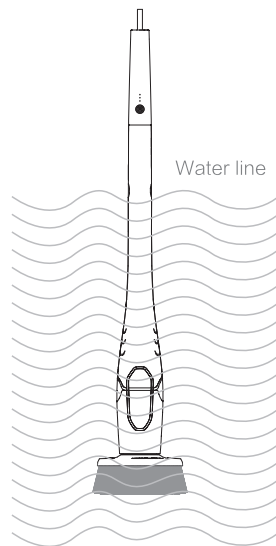
**Note:** Do not overuse, or it will be turned off automatically. Please turn it on again for reuse.



### Waterproof instruction

The part under telescopic button is IP7 waterproof, can be used in water.

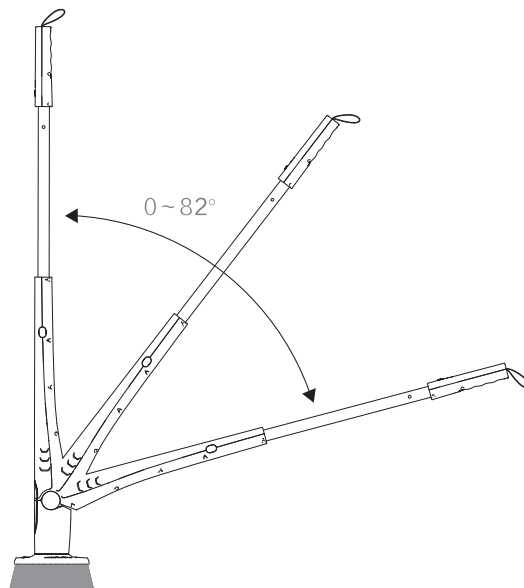
The part above telescopic button is IP4 waterproof, can not be submerged into water. Please mind the water depth when using



---

## Rotation shaft

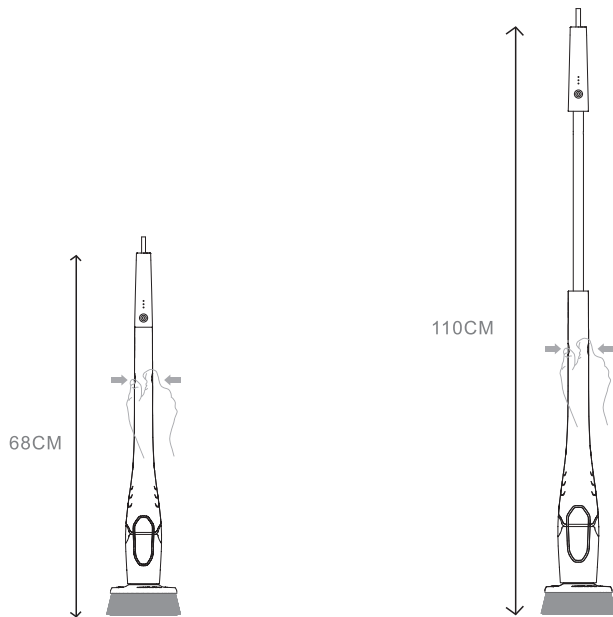
Rotation shaft can be adjusted from 0–82°, adjust it according to your use.



---

## Extension Rod Operation

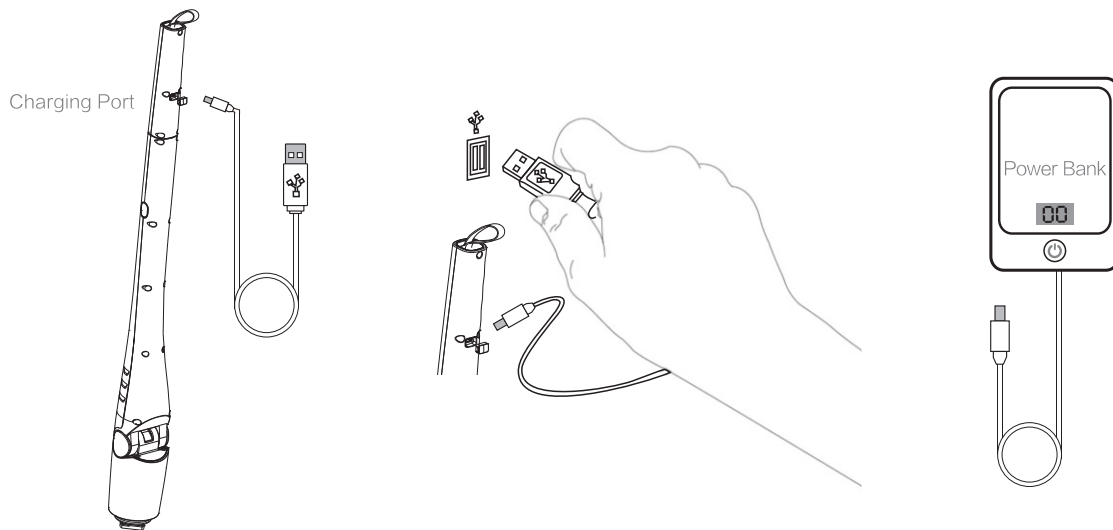
Press the extension release button on both sides of the handle, then pull the handle to extend; push the handle to withdraw.



---

## Recharging

The charging port is on the back of the handle. When charging, the white indicator light flashes. When the battery is fully charged, the three white indicators are all on. Please unplug the charger.

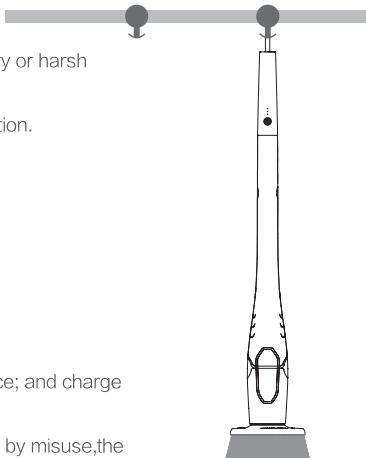




## Attentions

---

- 1.The product should be used in household for cleaning work ,don't use it in industry or harsh environments.
- 2.Please mind the water depth while using, refer to the clause of Waterproof Instruction.
- 3.please stop and power on it again when it gets stuck.
- 4.Please power it off when you change the brush.
- 5.The product is not suitable for children and disabled persons to avoid dangers.
- 6.Don't use it at any persons or animals.
- 7.Power it off after cleaning work.
- 8.Don't use any other batteries and adapters.
- 9.Don't disassemble it to repair by yourself.
10. If don't use it for a long time,please charge it to full and place it in a cool dry place; and charge it every 6 months to avoid over discharging.
11. Please use the product according this manual,if any damages and hurts caused by misuse,the user takes all responsibilities.



## Troubleshooting

Unable to power on	Low power,please charge it before using.
Unable to charge	The charging indicator light is not shine,please check the charging plug is well inserted.
Brush Assembly	The brush head doesn't work or takes off during using,please check the brush head is well locked.
Doesn't work after power on	Please check whether it's in charging status.Unplug the charger and restart it.
Stop working	If it stops work suddenly,please restart it or check the power battery is enough or not.

## Hazardous Material Contents And Names

Parts name	Hazardous material					
	Lead (Pb)	Mercury (Hg)	Cadmium (Cd)	Hexavalent chromium (Cr (VI) )	Polybrominated biphenyl (PBB)	Polybrominated diphenyl ethers (PBDE)
Circuit board	x	o	x	o	o	o
Shell	o	o	o	o	o	o
Battery	x	o	o	o	o	o
Brushes	o	o	o	o	o	o

This table was compiled in accordance with the provisions of SJ/T11364.

- : This identifier indicates the contents of the hazardous material in one homogeneous material of the part were all below the limited standard of GB/T26572.
- × : This identifier indicates the contents of the hazardous material in one homogeneous material of the part were above the limited standard of GB/T26572. (All the parts which were marked with "x" were all reached RoHS standard, or the hazardous material cannot be replaced because of global technical limitations.) (This table indicates these hazardous materials exist in the product, but not all above parts in the packed product.)

The environmental using period of the rechargeable battery is 5 years.