

DUAL SPIN MOP

MULTIFUNCTION SPIN SCRUBBER KIT MANUAL

Please read this manual carefully before use, and keep it well.
Information may be changed or updated without notice

Thanks for your purchase!

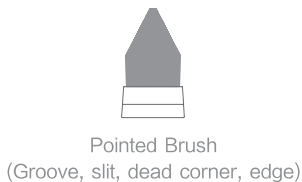
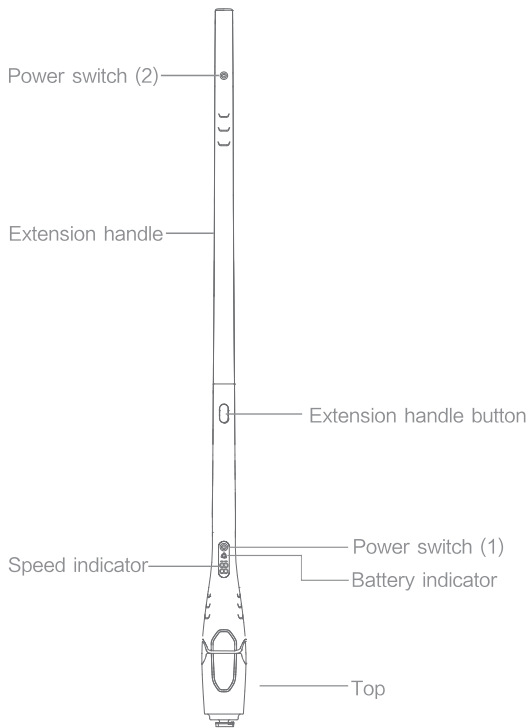
Thanks For Choosing Dual Spin Mop+multifunction Spin Scrubber Kit.

With The Dual Spin Adapter To Clean Marble, Wooden Floor, Tile, Concrete Floor, Glass, Etc Easily.

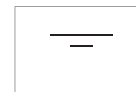
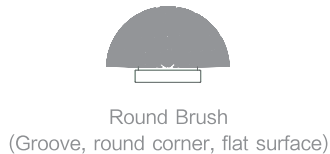
With Round Brush, Pointed Brush To Clean Groove, Slit, Corners And All Kinds Of Stubborn Stains Efficiently.simple And Stylish Appearance And The Length Can Be Switched Freely.

Dual Spin Mop+multifunction Spin Scrubber Kit. Will Make Your Life Much Easier.

COMPONENT LIST



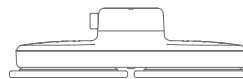
Coral fleece mop x2



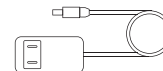
User's manual



Hook



Dual spin tray
(Floor, glass, marble)



Adapter

DUAL SPIN TRAY INSTALLATION DIAGRAM

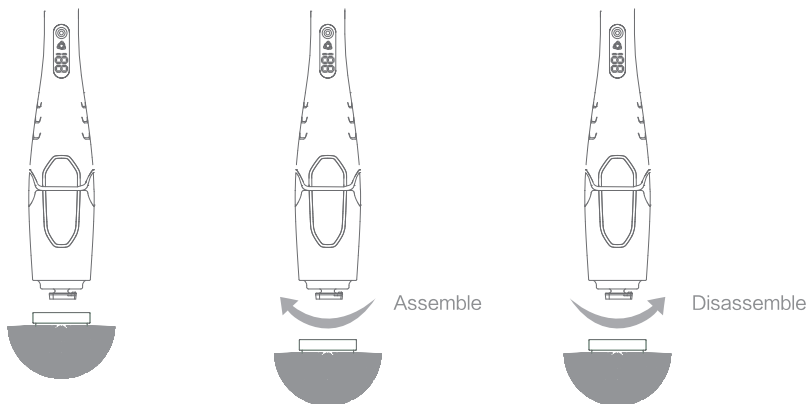
1. The extension handle is detachable, insert the hook when use with one hand. Use the extension handle freely according to the usage scene (figure 2).

2. To assemble the dual spin tray, open the dual spin tray upper buckle (figure 2), aligned the main unit triangle to the concave position on the dual spin tray, and rotate to the front side (figure 3), fasten the buckle (figure 4)



BRUSH INSTALLATION DIAGRAM

Aligned the main unit triangle to the brush head concave position rotate in the clockwise direction to assemble the brush
Rotate the handle in anticlockwise to disassemble the brush.



BASIC PARAMETERS

Model No.	QXJ-400	Battery	2000mAh
Voltage	DC7.4V	Adapter Output Voltage	DC12V 1A
Power(Max)	84W	Recharging time	2.5-3H

INSTRUCTION OF USE

On/Off

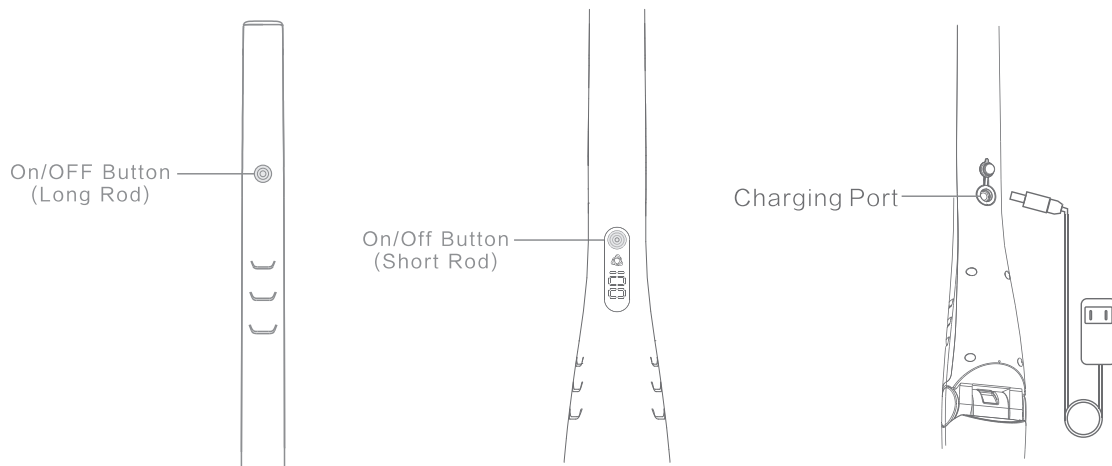
Press the power switch button on the main unit or extension handle to turn on/off the machine.

The number displayed is real-time power. It will shut down automatically when the battery is too low.

Recharging port is at the main unit back side.

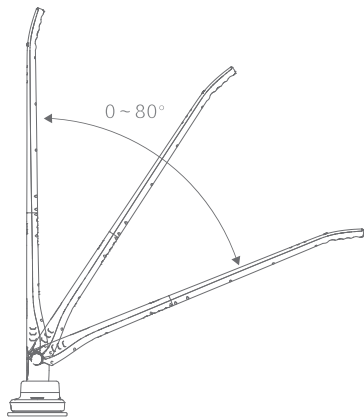
The red light flashes when charging, when the battery is fully charged, the digital display is 100, the light turns green, please unplug the charger.

Remarks: Do not overuse, the circuit will automatically shut down for protection when blocked, please restart.



Rotation shaft

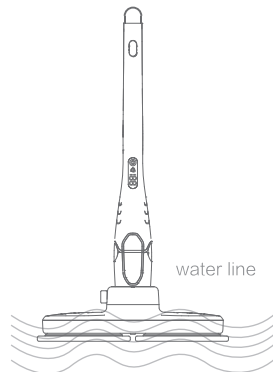
Rotation shaft can be adjusted from 0-82, adjust it according to your use



Waterproof

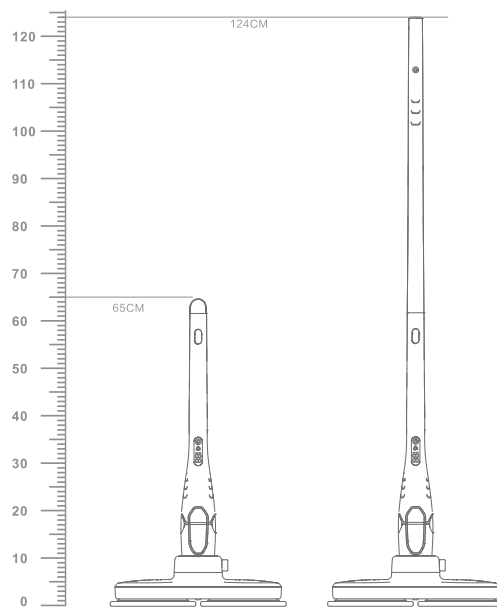
The part below the dual spin tray surface can work in water for a short time

The part above water line splash-proof design, can not be used in water. Please pay attention to the water depth when using.



How to use extension handle

Press the extension handle button and pull the extension handle to disassemble the extension handle.

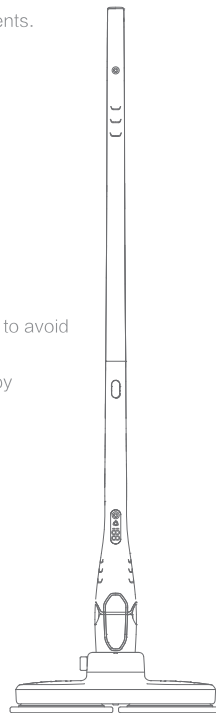


PRECAUTIONS WHEN USING

- 1.This product is suitable for household environment cleaning, do not use in industrial and harsh environments.
- 2.Only the brush head is waterproof, other parts can only be splash-proof, do not soak it into water.
- 3.Do not overuse, please shut down it when blocked while cleaning.
- 4.Please replace the brush head in the off state.
- 5.This product is not suitable for children or people with disabilities to avoid danger.
- 6.Please don't aim at people or animals to avoid injury.
- 7.Please turn off the power after use.
- 8.Do not use third-party batteries, power adapter.
- 9.If you are not a professional, please do not disassemble and repair it yourself.
- 10.Do not place the charger near a heat source (such as a radiator)
- 11.If the charger's casing or wire is damaged or broken, stop using it immediately.
- 12.If you do not use this product for a long time, please put it in a cool place and charge it at least 6 months to avoid over-discharge of the battery.
- 13.Please use this product in accordance with the instructions in the manual. Any loss or damage caused by improper use is the responsibility of the user.

TROUBLE SHOOTING

Can not be turned on	power is too low,please recharge it
Can not be recharged	please check if it the adapter is plugged correctly
Brush head doesn' t rotate	please check if it is assembled correctly
Doesn' t work	pleas check it it is recharging,unplug it and restart
Stops work	if it stop work while cleaning,please restart or check if the the power enough or not



Hazardous material contents and names

Parts name	Hazardous material					
	Lead (Pb)	Mercury (Hg)	Cadmium (Cd)	Hexavalent chromium (Cr (VI))	Polybrominated biphenyl (PBB)	Polybrominated diphenyl ethers (PBDE)
Circuit board	x	o	x	o	o	o
Shell	o	o	o	o	o	o
Battery	x	o	o	o	o	o
Brushes	o	o	o	o	o	o

This table was compiled in accordance with the provisions of SJ/T11364.

o : This identifier indicates the contents of the hazardous material in one homogeneous material of the part were all below the limited standard of GB/T26572.

x : This identifier indicates the contents of the hazardous material in one homogeneous material of the part were above the limited standard of GB/T26572. (All the parts which were marked with "x" were all reached RoHS standard, or the hazardous material cannot be replaced because of global technical limitations.) (This table indicates these hazardous materials exist in the product, but not all above parts in the packed product.)